



2018 Project: Alaska Airlines Arena



2017 Project: Campbellsport High School

High-Output LED Sports Lighting, Helios Olympia Series

Advanced light engine technology, unmatched lifespan and cutting-edge aesthetics. Wisconsin engineering and craftsmanship utilizing premium components.

Our LED lights, light poles and brackets are proudly engineered and manufactured in the USA. We use only the highest quality components, and our LED fixtures deliver unmatched light output and efficiency for indoor and outdoor sports lighting applications. Precision engineered for performance and energy savings, these products dramatically reduce energy consumption by up to 80% and virtually eliminate ongoing maintenance expenses for a variety of customers and applications.

Product Overview

Highlights:

- Engineered and manufactured in Wisconsin, USA from domestic and imported components
- ETL Certified: Conforms to UL STD 1598 & CSA STD C22.2 # 250.0 for wet locations
- L70 calculated LED life over 270,000+ hours
- Drivers are 0-10v/PWM/Timer dimming standard
- Eight light engine options from 23,270 – 114,191 lumens
- Premium high-output Chip-On-Board (COB) LEDs in 5700K, 5000K, 4000K and 3000K options, custom color temps available upon request
- Minimum CRI of 70, custom CRI available
- Modular housing design and advanced silicone optical assembly
- J-Box on each chassis for easy field electrical install
- Remote driver solutions available
- DustPassThru vertical extruded heat sinks
- DLC qualified models available. Please refer to www.designlights.org for the most current information.

Common Applications:

- Container loading areas and general shipping yards
- Sports and stadium lighting
- General flood and area lighting

Light Engine Warranty:

- 5-year standard limited warranty on all light engine components
- Accessories and adders covered by separate OEM supplier warranties



* 9-Engine Helios Shown With GlareKiller System



206 W. McWilliams St.
Fond du Lac, WI 54935

800-558-4810
quotes@nafcomfg.com
NAFCO.com



Search www.designlights.org
for qualifying models.



Rev. V10072019

This specification brochure is intended to serve as a general guide. Our products are continually being engineered and improved, and specifications are subject to change without notice.

Product Specifications

Housing Construction, Finish & Mounting:

- Rugged, aircraft grade, laser cut, fabricated aluminum chassis for superior strength and heat sinking
- Brushed natural aluminum, anodized or painted finish options (custom colors available upon request)
- Black anodized aluminum heat sinks for maximum thermal dissipation
- Proprietary thermal management to ensure low LED junction temperature and deliver unmatched 270,000+ hour L70 life
- Low profile design and aesthetics makes it suitable for a wide range of commercial applications
- High-grade stainless steel hardware
- Rugged, adjustable mounting harp, hang hook and suspension cables available as standard mounting accessories

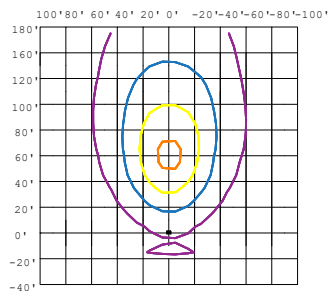
Optics & Lighting Distribution:

- Innovative silicone optics assembly with precision light control and cutoff
- Standard photometric distributions include V-WIDE, IV-FWD, III-WIDE, 30° NARROW SPOT and 70° MEDIUM SPOT
- IES files, photometric reports and simulations available upon request
- Left and right optical rotation available

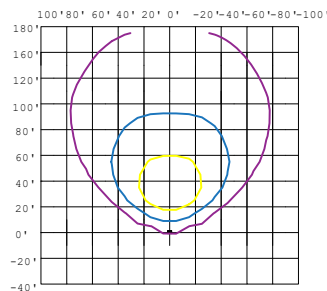
LEGEND

0.5 fc 2.0 fc 5.0 fc 10 fc 25 fc

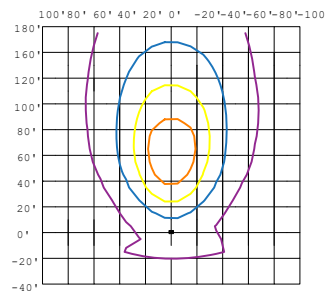
Created & Simulated per IESNA LM-63-1995



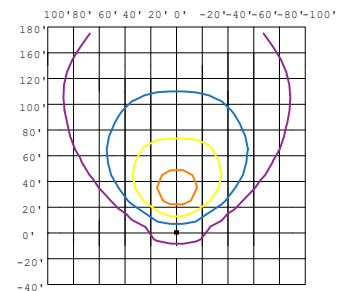
469w 6-Engine Helios
Custom Dist. (SuperSport)
50' Height - 60° Tilt



469w 6-Engine Helios
70° Medium Spot
50' Height - 60° Tilt



704w 9-Engine Helios
Custom Dist. (SuperSport)
50' Height - 60° Tilt



704w 9-Engine Helios
70° Medium Spot
50' Height - 60° Tilt

Electrical:

- Operating temp: -40 °C to +45 °C
- Standard AC input of 120-277v VAC, up to 480v available
- EMI filter: 47CFR, part 2, part 15
- Power factor: >0.9
- Total harmonic distortion: <20%
- Surge protection: IEC/EN 61000-4-5 EMC test standard
- Licensed electrician required for installation

Energy Control Options:

- Daylight harvesting and photo controls
- Motion control and dimming
- Surge protection
- CA Title 24 compliance options available upon request

Effective Projected Area (EPA) & Weight:

6-Engine (27-31 LBS)

- 1.0 EPA at 0°
- 1.7 EPA at 45°

9-Engine (50-55 LBS)

- 1.0 EPA at 0°
- 2.5 EPA at 45°
- 3.2 EPA at 90°

12-Engine (70-80 LBS)

- 1.3 EPA at 0°
- 3.4 EPA at 45°
- 4.2 EPA at 90°



206 W. McWilliams St.
Fond du Lac, WI 54935

800-558-4810
quotes@nafcomfg.com
NAFCOmf.com



Search www.designlights.org
for qualifying models.

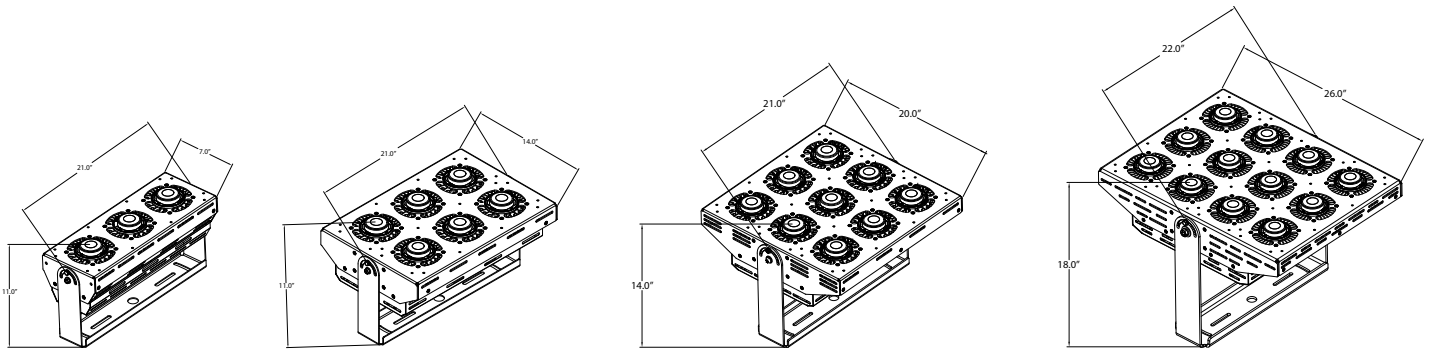


270,000+
HOURS
LED LIFE



Rev. V10072019

This specification brochure is intended to serve as a general guide. Our products are continually being engineered and improved, and specifications are subject to change without notice.



Light Engine Specifications (Values Listed for 20° Narrow SuperSport Spot, 5700K)

Base Model	System Watts	LED Watts	Number of COBs	Drive Current	Max Operating Temp	Nominal Lumens ¹	Delivered Lumens ²	L70 EnergySTAR LED Life ³
3-HBHC-240-57-MV-5N	243w	216w	3	2000 mA	45 °C	32,839	30,913	270,000 Hrs
6-HBHC-470-57-MV-5N	487 w	433w	6	2000 mA	45 °C	65,678	61,826	270,000 Hrs
9-HBHC-700-57-MV-5N	730w	650w	9	2000 mA	45 °C	98,517	92,739	270,000 Hrs
12-HBHC-940-57-MV-5N	974w	867w	12	2000 mA	45 °C	131,356	123,652	270,000 Hrs

Amperage Load

Wattage	Total Amps Per Fixture							
	110v	120v	208v	220v	240v	277v	347v	480v
234w	2.13A	1.95A	1.13A	1.06A	0.98A	0.84A	0.67A	0.49A
487w	4.43A	4.06A	2.34A	2.21A	2.03A	1.76A	1.4A	1.01A
730w	6.64A	6.08A	3.51A	3.32A	3.04A	2.64A	2.1A	1.52A
974w	8.85A	8.12A	4.68A	4.43A	4.06A	3.52A	2.81A	2.03A

Lumen Maintenance Factor (LMF)³

Type	Ambient	Initial LMF	25K Hour Projected LMF ⁴	50K Hour Projected LMF ⁴	75K Hour Projected LMF ⁵	100K Hour Projected LMF ⁵
COB	25 °C (77 °F)	100%	97%	95%	92%	90%

1. Considered initial nominal value of the LED light engine as specified by the LED chip manufacturer. Fixture efficacy and lumen output will depend on things like color temperature, distribution type and environmental characteristics.
2. Considered the typical initial delivered lumens of the LED light engine. Specific lumens for an application will depend on things like color temperature, distribution type and environmental characteristics.
3. Lumen maintenance values at 25 °C are calculated per TM-21 based on LM-80 data and in-house luminaire testing.
4. In accordance with IESNA TM-21-11, Projected Values represent interpolated value based on time durations that are within six times (6X) the IESNA LM-80-08 total test duration (in hours) for the device under testing (DUT) i.e. the packaged LED chip.
5. In accordance with IESNA TM-21-11, Calculated Values represent time durations that exceed six times (6X) the IESNA LM-80-08 total test duration (in hours) for the device under testing (DUT) i.e. the packaged LED chip.

Note: Additional wattages and configurations available upon request. Specifications are subject to change without notice.



206 W. McWilliams St.
Fond du Lac, WI 54935

800-558-4810
quotes@nafcomfg.com
NAFCOmf.com



Search www.designlights.org
for qualifying models.



Rev. V10072019

This specification brochure is intended to serve as a general guide. Our products are continually being engineered and improved, and specifications are subject to change without notice.

Ordering Information

Ex. 6-HBHC-470-57-MV-CD-SA-SFH-WHP3NP

Designation	Color Temp.	Distribution Type	Color	Accessories																					
3-HBHC = 3-Engine Helios	57 = 5700K	5M = 100° Type V	Satin	<table border="1"> <thead> <tr> <th colspan="4">Mounting</th> </tr> <tr> <th colspan="4">Adjustable Steel Mounting Harp, Black Finish Standard (Not Installed)</th> </tr> <tr> <td>HRP3S (3-Engine)</td> <td>HRP6S (6-Engine)</td> <td>HRP9S (9-Engine)</td> <td>HRP12S (12-Engine)</td> </tr> </thead> </table>	Mounting				Adjustable Steel Mounting Harp, Black Finish Standard (Not Installed)				HRP3S (3-Engine)	HRP6S (6-Engine)	HRP9S (9-Engine)	HRP12S (12-Engine)									
Mounting																									
Adjustable Steel Mounting Harp, Black Finish Standard (Not Installed)																									
HRP3S (3-Engine)	HRP6S (6-Engine)	HRP9S (9-Engine)	HRP12S (12-Engine)																						
6-HBHC = 6-Engine Helios	50 = 5000K	5W = Type V Square	SB = Brushed Alum.	<table border="1"> <thead> <tr> <th colspan="4">Adjustable Steel Mounting Harp w/ Angle Offset, Black Finish Standard (Not Installed)</th> </tr> <tr> <td>HRP3SA (3-Engine)</td> <td>HRP6SA (6-Engine)</td> <td>HRP9SA (9-Engine)</td> <td>HRP12SA (12-Engine)</td> </tr> </thead> </table>	Adjustable Steel Mounting Harp w/ Angle Offset, Black Finish Standard (Not Installed)				HRP3SA (3-Engine)	HRP6SA (6-Engine)	HRP9SA (9-Engine)	HRP12SA (12-Engine)													
Adjustable Steel Mounting Harp w/ Angle Offset, Black Finish Standard (Not Installed)																									
HRP3SA (3-Engine)	HRP6SA (6-Engine)	HRP9SA (9-Engine)	HRP12SA (12-Engine)																						
9-HBHC = 9-Engine Helios	40 = 4000K	5N = 20° Narrow SuperSport Spot	SSA = Satin Silver Anodized	<table border="1"> <tr> <td>HRPT24 = Heavy Duty 2.38" OD Tenon Mount Adapter For Mounting Harps</td> </tr> <tr> <td>YT15 = 15' Universal Yoke and Toggle Suspension Kit (Not Installed)</td> </tr> <tr> <td>SFH = 2.38" OD Slipfitter (3-engine & 6-engine only)</td> </tr> <tr> <td>TRH = Trunnion Yoke (3-engine & 6-engine only)</td> </tr> <tr> <th colspan="1">Controls</th> </tr> <tr> <td>SPC1 = Swivel Photocontrol, 120 VAC</td> </tr> <tr> <td>SPC2 = Swivel Photocontrol, 208 to 277 VAC</td> </tr> <tr> <td>SPC3 = Swivel Photocontrol, 347 VAC</td> </tr> <tr> <td>SPC4 = Swivel Photocontrol, 480 VAC</td> </tr> <tr> <td>MPS = Motion/Photo Sensor with BLUETOOTH, 8-40 ft. mounting heights, 100 ft. diameter at 40 ft., 100 - 347VAC (single phase) or 208/230/480VAC (phase-to-phase) (Installed In Fixture)</td> </tr> <tr> <td>SRG-277-10 = Surge Protector, 120v - 277v</td> </tr> <tr> <td>SRG-480-10 = Surge Protector, 347v - 480v</td> </tr> <tr> <td>F10 = 10 Amp Fuse Kit, 120-480 VAC</td> </tr> <tr> <th colspan="1">Other</th> </tr> <tr> <td>WHP11NP = 11' Cord w/o Plug, Stripped Pigtail Both Ends (Not Installed)</td> </tr> <tr> <td>WHP7NP = 7' Cord w/o Plug, Stripped Pigtail Both Ends (Not Installed)</td> </tr> <tr> <td>WHP11P1 = 11' Cord w/ NEMA 5-15P, Stripped Pigtail One End (Not Installed)</td> </tr> <tr> <td>WHP7P1 = 7' Cord w/ NEMA 5-15P, Stripped Pigtail One End (Not Installed)</td> </tr> <tr> <td>WHP3NP = 3' Cord w/o Plug, Stripped Pigtail Both Ends (Not Installed)</td> </tr> <tr> <td>WHP3P1 = 3' Cord w/ NEMA 5-15P, Stripped Pigtail One End (Not Installed)</td> </tr> <tr> <td>CG1 = 1/2" NPT Cord Grip, 0.180-0.400" Cord OD Range (Not Installed)</td> </tr> </table>	HRPT24 = Heavy Duty 2.38" OD Tenon Mount Adapter For Mounting Harps	YT15 = 15' Universal Yoke and Toggle Suspension Kit (Not Installed)	SFH = 2.38" OD Slipfitter (3-engine & 6-engine only)	TRH = Trunnion Yoke (3-engine & 6-engine only)	Controls	SPC1 = Swivel Photocontrol, 120 VAC	SPC2 = Swivel Photocontrol, 208 to 277 VAC	SPC3 = Swivel Photocontrol, 347 VAC	SPC4 = Swivel Photocontrol, 480 VAC	MPS = Motion/Photo Sensor with BLUETOOTH, 8-40 ft. mounting heights, 100 ft. diameter at 40 ft., 100 - 347VAC (single phase) or 208/230/480VAC (phase-to-phase) (Installed In Fixture)	SRG-277-10 = Surge Protector, 120v - 277v	SRG-480-10 = Surge Protector, 347v - 480v	F10 = 10 Amp Fuse Kit, 120-480 VAC	Other	WHP11NP = 11' Cord w/o Plug, Stripped Pigtail Both Ends (Not Installed)	WHP7NP = 7' Cord w/o Plug, Stripped Pigtail Both Ends (Not Installed)	WHP11P1 = 11' Cord w/ NEMA 5-15P, Stripped Pigtail One End (Not Installed)	WHP7P1 = 7' Cord w/ NEMA 5-15P, Stripped Pigtail One End (Not Installed)	WHP3NP = 3' Cord w/o Plug, Stripped Pigtail Both Ends (Not Installed)	WHP3P1 = 3' Cord w/ NEMA 5-15P, Stripped Pigtail One End (Not Installed)	CG1 = 1/2" NPT Cord Grip, 0.180-0.400" Cord OD Range (Not Installed)
HRPT24 = Heavy Duty 2.38" OD Tenon Mount Adapter For Mounting Harps																									
YT15 = 15' Universal Yoke and Toggle Suspension Kit (Not Installed)																									
SFH = 2.38" OD Slipfitter (3-engine & 6-engine only)																									
TRH = Trunnion Yoke (3-engine & 6-engine only)																									
Controls																									
SPC1 = Swivel Photocontrol, 120 VAC																									
SPC2 = Swivel Photocontrol, 208 to 277 VAC																									
SPC3 = Swivel Photocontrol, 347 VAC																									
SPC4 = Swivel Photocontrol, 480 VAC																									
MPS = Motion/Photo Sensor with BLUETOOTH, 8-40 ft. mounting heights, 100 ft. diameter at 40 ft., 100 - 347VAC (single phase) or 208/230/480VAC (phase-to-phase) (Installed In Fixture)																									
SRG-277-10 = Surge Protector, 120v - 277v																									
SRG-480-10 = Surge Protector, 347v - 480v																									
F10 = 10 Amp Fuse Kit, 120-480 VAC																									
Other																									
WHP11NP = 11' Cord w/o Plug, Stripped Pigtail Both Ends (Not Installed)																									
WHP7NP = 7' Cord w/o Plug, Stripped Pigtail Both Ends (Not Installed)																									
WHP11P1 = 11' Cord w/ NEMA 5-15P, Stripped Pigtail One End (Not Installed)																									
WHP7P1 = 7' Cord w/ NEMA 5-15P, Stripped Pigtail One End (Not Installed)																									
WHP3NP = 3' Cord w/o Plug, Stripped Pigtail Both Ends (Not Installed)																									
WHP3P1 = 3' Cord w/ NEMA 5-15P, Stripped Pigtail One End (Not Installed)																									
CG1 = 1/2" NPT Cord Grip, 0.180-0.400" Cord OD Range (Not Installed)																									

Accessories



NAFCO

206 W. McWilliams St.
Fond du Lac, WI 54935

800-558-4810
quotes@nafcomfg.com
NAFCOmf.com



Search www.designlights.org
for qualifying models.



270,000+ HOURS LED LIFE

50-80% ENERGY SAVINGS



* Many lens options available, contact us for more options

GlareKiller System			
GK3 (3-Engine or Single Row Visor)	GK6 (6-Engine)	GK9 (9-Engine)	GK12 (12-Engine)

Rev. V10072019

This specification brochure is intended to serve as a general guide. Our products are continually being engineered and improved, and specifications are subject to change without notice.