

Leading aerosol control
system to protect dental
professionals from COVID19



DuraMax[®]

X1

Instruction for Use



CONTENT

SAFETY PRECAUTIONS.....	3
PACKING LIST	3
FEATURES	4
SPECIFICATIONS.....	4
PARTS NUMBER	5
OPERATION	6-7
INSTALLATION INSTRUCTIONS	7
FILTERS REPLACEMENT.....	8
TROUBLESHOOTING	9
WARRANTY	10-11



IMPORTANT SAFETY PRECAUTIONS

Before operating the system, please read this manual thoroughly, and retain it for future reference.



WARNING-To reduces the risk of electrical shock, fire or injury:

- Use only as described in this manual.
- Use only a 120 volt outlet
- When removing the power plug, always hold the plug and never pull by the cord. **DO NOT** handle plug or appliance with wet hands. Electrical shock or fire from short circuit may occur.
- Remove the power plug from the wall outlet before cleaning the unit and when not using the unit. Turn off all controls before unplugging.
- **DO NOT** insert fingers or foreign objects into the intake or air outlet.
- The batteries must be removed from the remote control before disposal, and the batteries must be disposed of safely.
- **DO NOT** operate the unit without filters.
- **DO NOT** wash or reuse the activated carbon filter or clean the activated carbon filter with liquid, especially alcohol, gasoline, paint thinner, etc. It may cause fire!

PACKING LIST

Description	QTY
Main machine	1 set
Power cord	1 piece
Arm	1 piece
S1	1 set
S2	1 set
S3	1 set
S4	1 set

Note: The filter element is placed inside the machine

FEATURES

Efficient Filtration

4 layer filtration system including HEPA (0.3 μm 99.97%) filtration plus germicidal UV-C

Powerful

10 levels of power control with up to 265 CFM capacity

Sleek

Compact and portable design

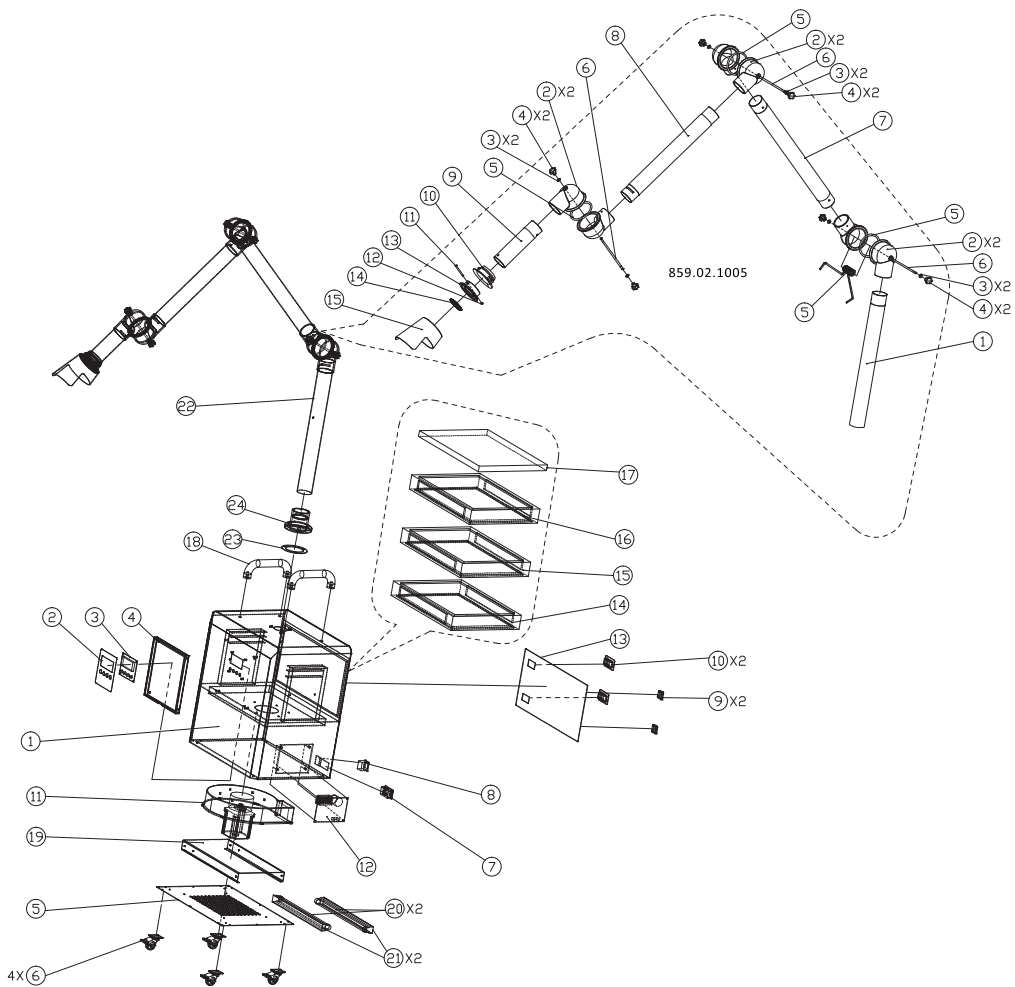
Convenient

Unit comes with a handy remote control for smooth operation

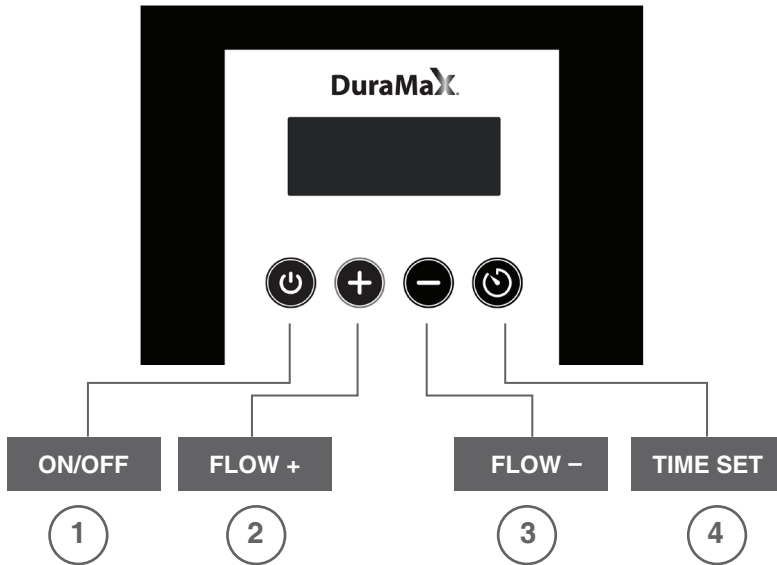
SPECIFICATIONS

Model	DuraMax X1
Voltage	AC110V, 60Hz
Power	350W
Suction	8.2 Kpa
Speed options	10
Ultraviolet C (UV-C)	254nm Spectrum, 10W
Maximum volume	7500L/Min, 265 CFM
Filtration	Four layers HEPA 0.3 μm 99.97%
Noise Level	\leq 55dB
Head Diameter	75mm
Arm Reach	1.4m
Unit Weight	28Kg
Shipping Weight	33Kg
Shipping Dimension(mm)	L500 x W370 x H595
Unit Dimension(mm)	L400 x W255 x H595
Warranty	30 months

PARTS NUMBER



OPERATION



Set Time

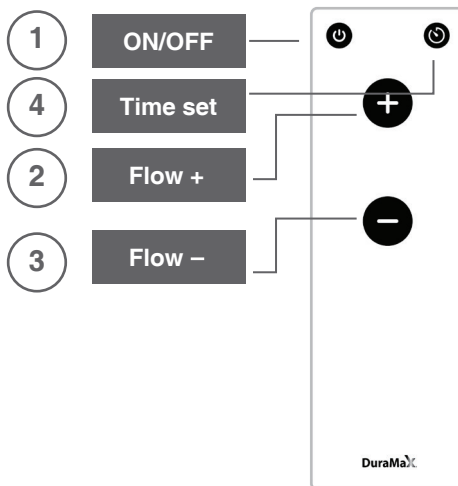
1. Press ① to turn on the unit
2. Press ④ to set the timer, the display will show HXXX
3. Press ② to increase time
4. Press ③ to decrease time
5. Press ④ to confirm

XXX represents the number of hours the machine is running during timing, the maximum is 300 hours, the minimum is 1 hour. After setting, press the time button to queue the remaining time. The display shows HXXX. For instance H005 means 5 hours later, it will automatically shut down. The time is set to H000 to cancel the timing

REMOTE CONTROL

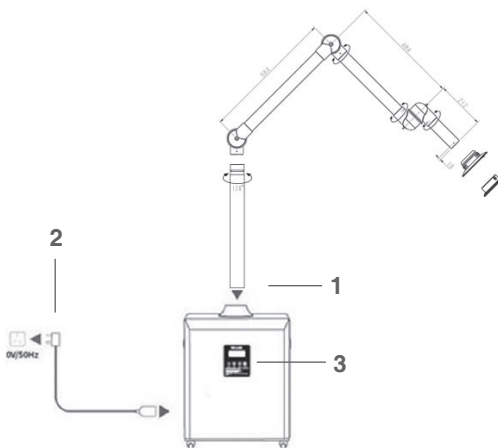
Set Time

1. Press ① to turn on the unit
2. Press ④ to set the timer, the display will show HXXX
3. Press ② to increase time
4. Press ③ to decrease time
5. Press ④ to confirm



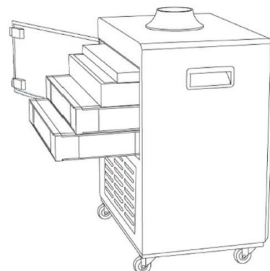
INSTALLATION INSTRUCTIONS

1. Place the main body of the unit at a convenient spot, connect the arm onto the main body
2. Connect the power cord to the three in one switch of the machine, insert the other end into the electric socket
3. Turn on the machine via the start button



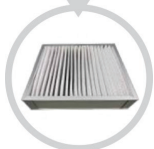
FILTERS REPLACEMENT

1. Turn off the unit
2. Open door to the filter
3. Remove the used filter within
4. Place new filter into the same slot
5. Close the door



Stage 1:
Primary Filter

Eliminate droplet, aerosol, and dust
(Replace every month)



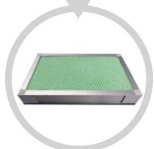
Stage 2:
Secondary Filter

Eliminate blood and aerosol
(Replace 3 month)



Stage 3:
HEPA Filter

Eliminate virus, bacteria size $\geq 0.3\mu\text{m}$ 99.97%
(Replace 3 month)



Stage 4:
Activated Carbon Filter

Eliminate Odor
(Replace twice a year)



Stage 5:
Germicidal Lamp UV-C

Kills viruses and bacteria
(Replace every 8000 hrs)

TROUBLESHOOTING

1: The system is still working, but the air volume is weak and the suction force is greatly reduced

Reason: The air inlet is blocked or there is foreign matter in the tube, and the filter reaches saturation and loses efficacy then forms a blockage alarm. Check: Turn off the power, open the top cover, check if there is any foreign matter blocking the air inlet; then check if the air outlet is blocked. If the suction of the empty machine is normal, the filter element needs to be replaced.

2: The machine automatically shut down immediately after starting the machine, turn it on again and repeat the above issue

Reason: The internal airflow is not smooth, the filter resistance is too big, causing the fan starting current to be too big, the machine will shutdown to automatically protect the machine

Check: Turn off the power, open the upper cover, check if there is any foreign matter blocking the air inlet; if it is checked, after the treatment is normal, adjust the air volume to the minimum, then turn it on again, and adjust the air volume to the appropriate position.

3: Turn on the power switch, the indicator light is off

Check if the socket is in poor contact. If the power socket is intact, check if the fuse in the power box is burnt. If it is damaged, please replace the fuse. Be sure to cut off the power before checking and repairing the equipment!

Beyes Limited Warranty Statement

1. SCOPE OF WARRANTY

BEYES Dental Canada Inc. ('BEYES') warrants to the original retail purchaser that it will be at BEYES option to repair or replace components of the dental products manufactured by BEYES (except for components not warranted under 'Exclusions') that are defective in material or workmanship under normal use and service. BEYES' obligation under this limited warranty is limited to the repair or replacement of the applicable components. This limited warranty shall only apply to defects that are reported to BEYES within the applicable warranty period and which, upon examination by Beyes, prove to be defective. This warranty extends only to the first retail purchaser of a product and is not transferable or assignable. Replacement components or products may be used and/or refurbished components or products, provided they are of like quality and specifications as new components or products.

2. APPLICABLE WARRANTY PERIOD

The applicable warranty period, measured from the date of invoice to the original user, shall be 30 months

3. EXCLUSIONS

This limited warranty does not cover and BEYES shall not be liable for the following;

- (1) defects, damage or other conditions caused, in whole or in part, by misuse, abuse, negligence, alteration, accident, freight damage, negligent storage, tampering or failure to seek and obtain repair or replacement in a timely manner;
- (2) products which are not installed, used, and properly cleaned and maintained as required or recommended in the BEYES 'Installation' and/or 'Installation/Operation Manual' for the applicable product, including the specified structural and operational environment conditions and electrical power requirements;
- (3) products considered to be of a consumable or sterile nature;
- (4) accessories or parts not manufactured by BEYES;
- (5) charges by anyone for adjustments, repairs, replacement parts, installation or other work performed upon or in connection with such products which are not expressly authorized in writing in advance by BEYES;
- (6) costs and expenses of routine maintenance and cleaning;
- (7) representations and warranties made by any person or entity other than BEYES;
- (8) matching of color, grain or texture except to commercially acceptable standards;
- (9) changes in color caused by natural or artificial light;
- (10) custom manufactured products;

(11) alterations or modifications to the product by any person or entity other than BEYES;
(12) Products that would otherwise be covered under Sections 1 and 2 of this limited warranty, but are acquired: (i) from a person or entity that is not BEYES or one of its authorized dealers; or (ii) from a BEYES dealer that is not authorized to sell the product at issue in the geographic territory where the purchaser is located, or is not authorized to sell the product at issue within the medical, animal health or dental market, as the case may be, in which purchaser intends to use the product.

4. EXCLUSIVE REMEDY; CONSEQUENTIAL DAMAGES DISCLAIMER

Beyes' obligation under this limited warranty is the repair or replacement of defective parts. Beyes shall not be liable for and hereby disclaims any direct, special, indirect, incidental, exemplary or consequential damages or delays, including, but not limited to, damages for loss of profits or income, loss of use, downtime, cover and employee or independent contractor wages, payments and benefits.

5. WARRANTY DISCLAIMER

This limited warranty is Beyes only warranty and is in lieu of all other warranties, express or implied. Beyes makes no implied warranties of any kind including any implied warranties of merchantability or fitness for a particular purpose. This warranty is limited to the repair or replacement of defective parts.

6. STATUE OF LIMITATIONS

No actions may be brought against BEYES for breach of this limited warranty, or implied warranty, if any, or for any other claims arising out of or relating to the products, more than ninety (90) days following expiration of the limited warranty period.

DuraMaX.

Beyes[®]
The Next Standard

Beyes Dental Canada Inc.
23-595 Middlefield Road
Toronto, Ontario, M1V 3S2
Canada
Tel: 1-855-603-1888
Fax: 1-855-720-1228
Email: info@beyes.ca
Website: www.beyes.ca



Lotus NL B.V.
Koningin Julianaplein 10, le Verd,
2595AA, The Hague,
Netherlands
Tel: +31645171879 (English)
+31626669008 (Dutch)
Email: info@beyes.ca
Website: www.beyes.ca



Printed in Canada
File #: ENI026
Rev1/30.04.20