

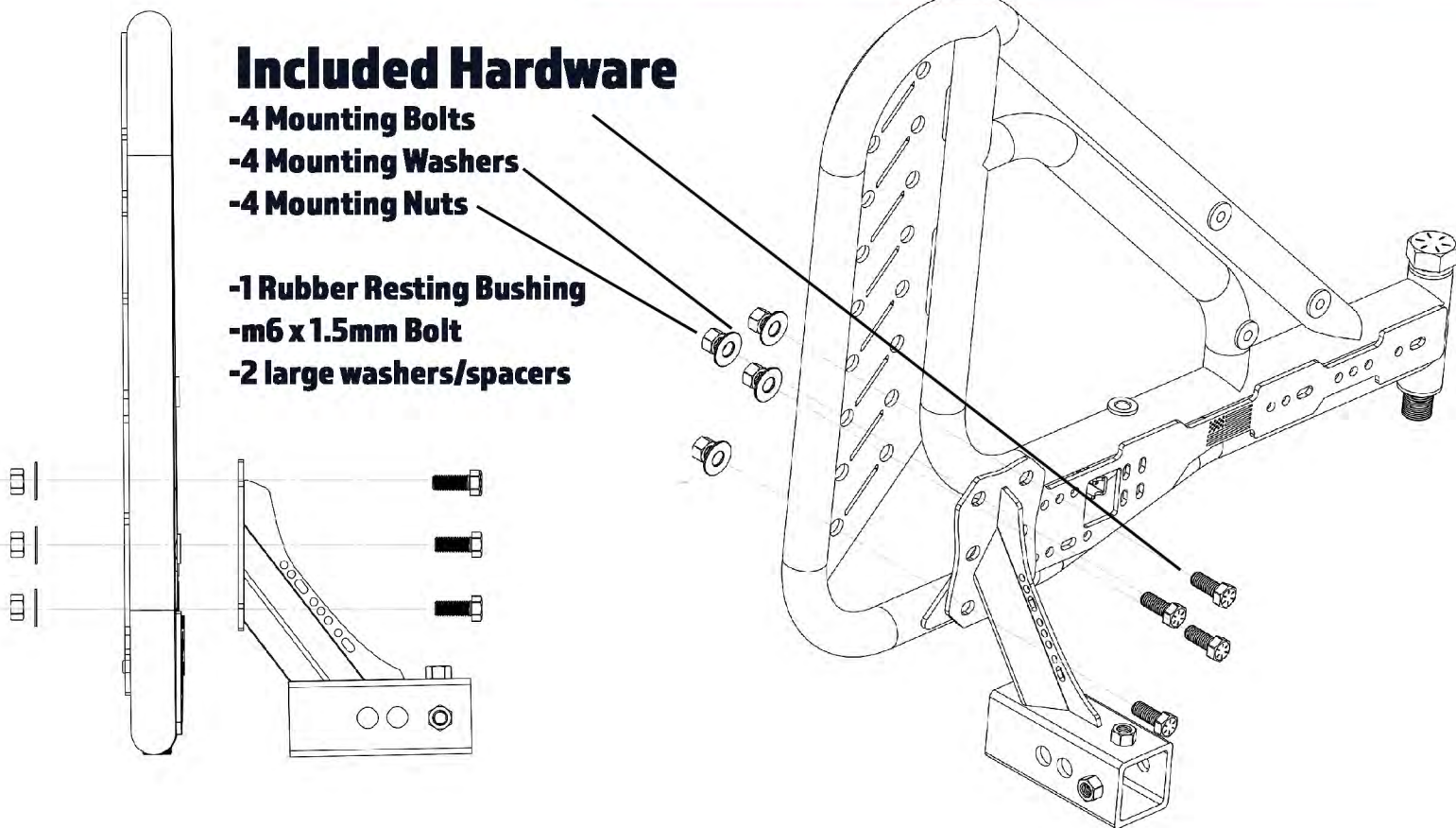
TRAIL SWING

ACCESSORY HITCH - Installation Guide



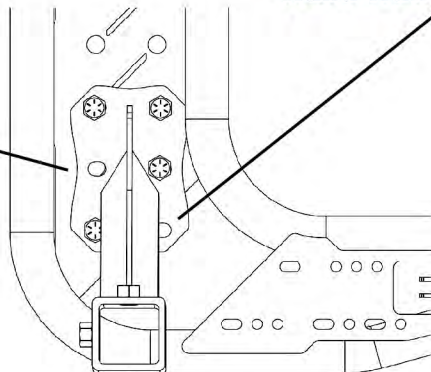
Included Hardware

- 4 Mounting Bolts
- 4 Mounting Washers
- 4 Mounting Nuts
- 1 Rubber Resting Bushing
- m6 x 1.5mm Bolt
- 2 large washers/spacers

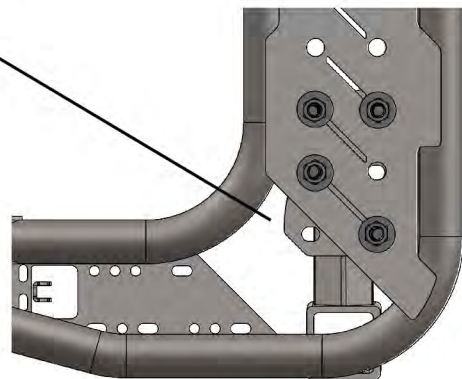


Note: One middle bolt hole is not used. Allows fitment for both Right and Left Hand Trail Swings

Note: One lower bolt hole is not used. Allows fitment for both Right and Left Hand Trail Swings



**Front View
Trail Swing**



**Rear View
Trail Swing**

TRAIL SWING

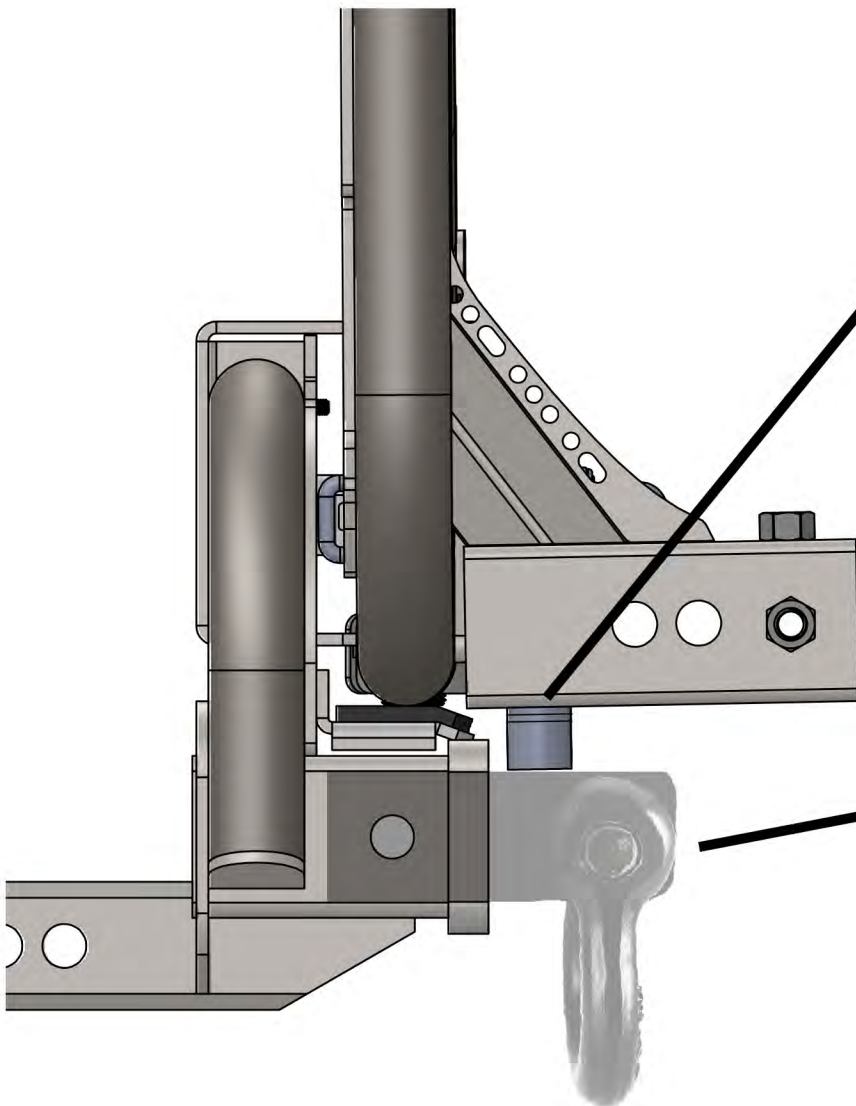
ACCESSORY HITCH - Installation Guide



Rubber Resting Bushing Must be used for high loads (eg. 2 bikes on a bike rack)

Included Hardware Used

- 1 Rubber Resting Bushing
- m6 x 1.5mm Bolt
- 2 large washers/spacers



Insert Hitch Accessory*

1. After installation of the **ACCESSORY HITCH**, insert any hitch accessory with a flat top into the solid fixed tow hitch of the **TRAIL SWING**

2. With swing in open position Install **RUBBER RESTING BUSHING** underneath the **ACCESSORY HITCH**. If necessary use the included spacers to lower the bushing. Spacer use depends on weight of accessories on the swing arm.

3. The **RUBBER RESTING BUSHING** should rest firmly on top of your chosen hitch accessory* when swing is closed to help support loads. Lifting the swing arm while closing may be necessary to achieve maximum support.

*Hitch accessory can be anything with a flat top such as the **FACTOR55 Hitchlink 2.0** or any other hitch mounted shackle. Hitch mounted shackles are a great emergency recovery point. We recommend a hitch mounted shackle to be used or available in your vehicle at all times for emergency use.