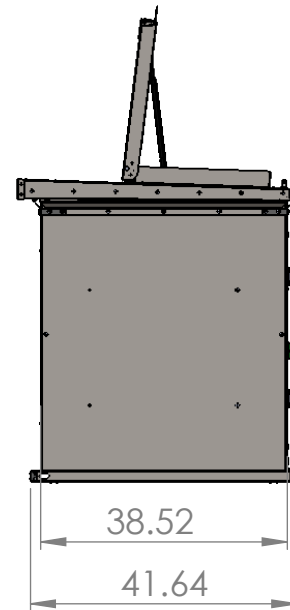
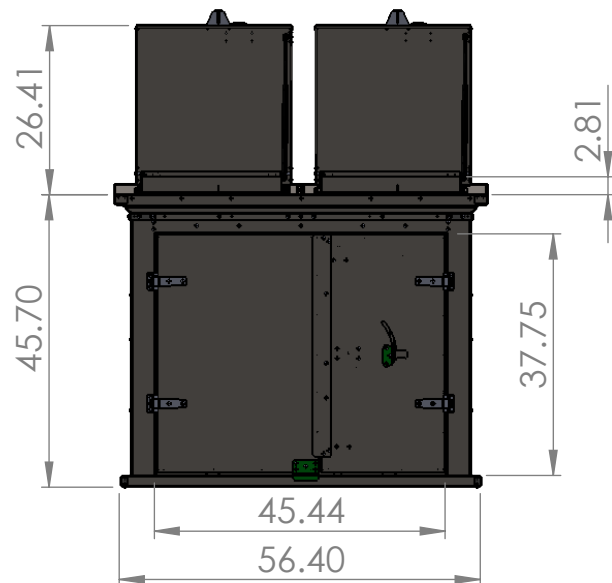
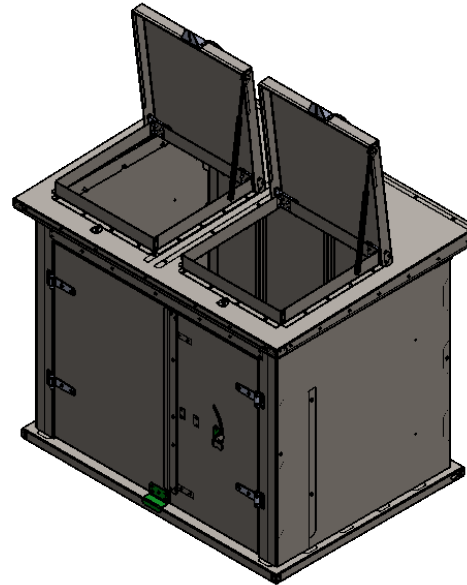
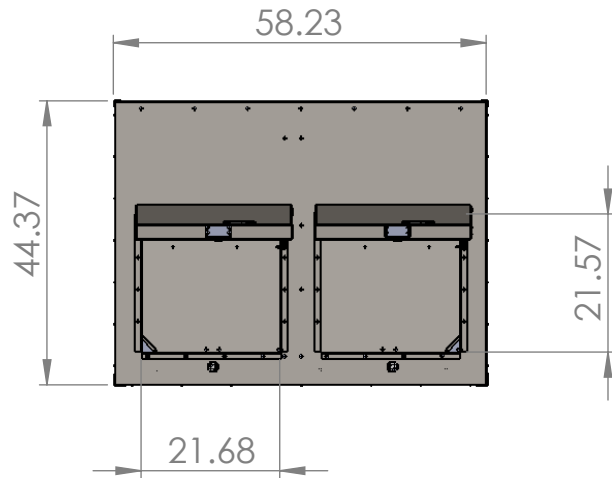


Product Specifications



Description: TUFFBOXX - BROOT
Part #/Model #: 453-006

259 Third concession Rd, PO Box 490
Princeton, ON, N0J 1V0
Toll-free: 1-844-426-5553
Phone: (519) 458-4882
Fax: (519) 458-8087
www.usetuffboxx.com



MATERIAL:

- 16GA, 14GA AND 12GA RUST PREVENTATIVE GALVANIZED STEEL
- 4 STAINLESS STEEL BARN DOOR HINGES FOR FREE SWINGING DOORS

FEATURES:

- 2 LID LIFT ASSIST GAS SHOCK CYLINDERS
- FRONT ACCESS DOORS FOR EASY ACCESS AND WASTE BAG REMOVAL
- FRONT DOOR LATCHING MECHANISM WITH LOCKING OPTION
- 2 LID LATCHES FOR LOCKING OPTION

FINISH

- POLYESTER POWDER COAT FINISH

WEIGHT

- 486.03LBS