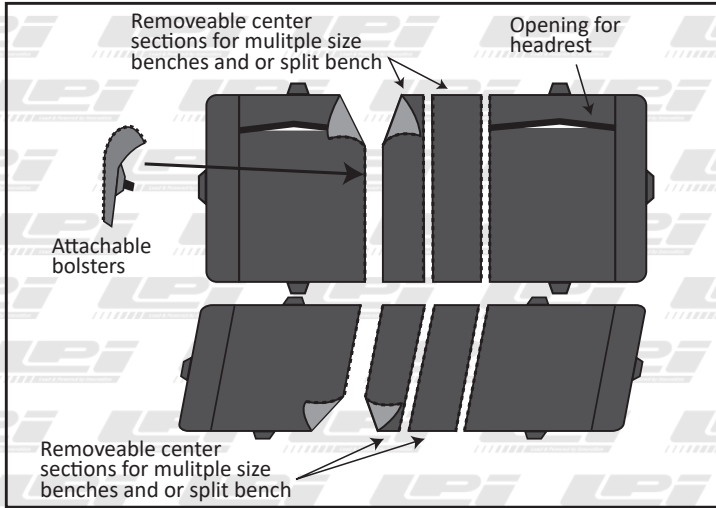
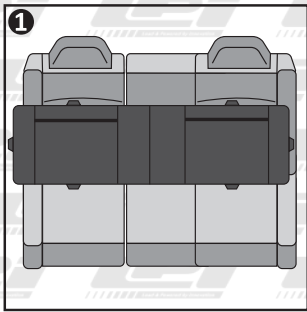
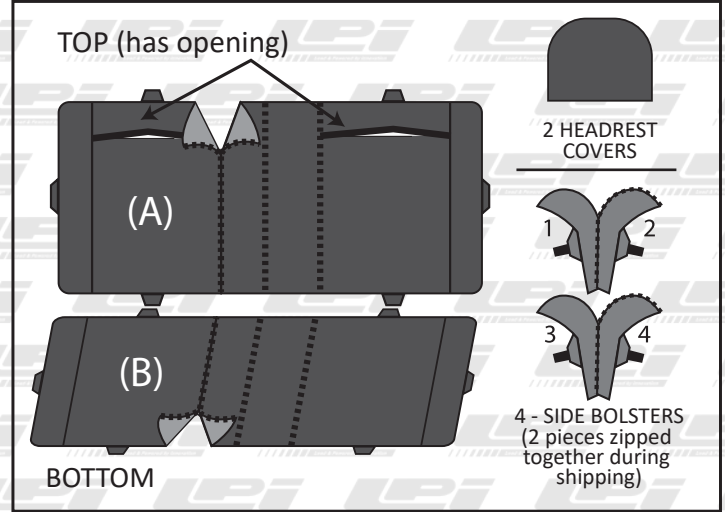


# INSTALLATION INSTRUCTIONS BENCH SEAT COVER

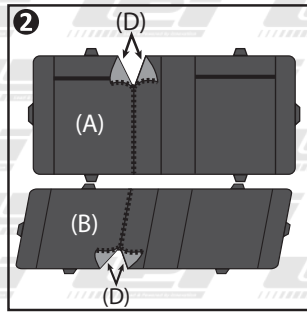
## FEATURES:



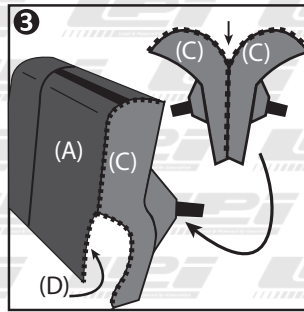
## CONTENTS:



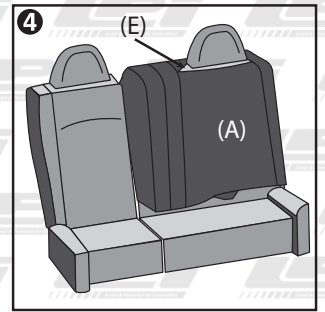
**STEP 1.** Hold up Bench Top Cover (A) to the bench seat and determine which panels may need to be removed or separated.



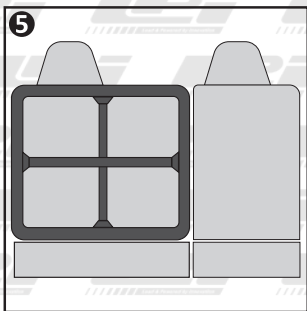
**STEP 2.** Unzip and separate panels and do the same process for the Bench Bottom Cover (B).



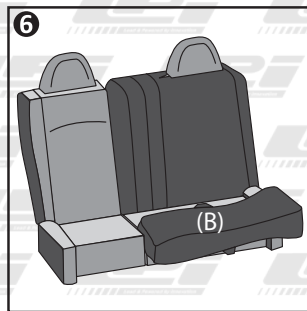
**STEP 3.** For split bench, unzip/separate the extra Bolsters (C) that are zipped together for shipping. Zip the Bolster (C) onto each exposed side (D).



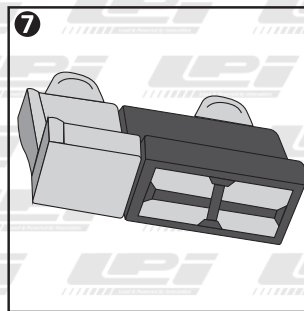
**STEP 4.** Open Headrest Slots (E) and slide the Bench Top Cover (A) over the headrests. Push side straps around the side to the back. Be sure the straps do not interfere with the seat belts. Push the bottom strap through the seat crevice.



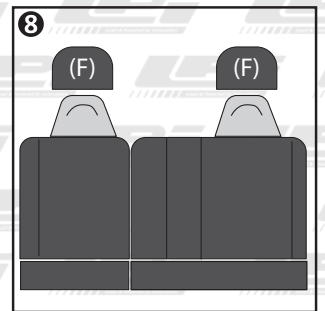
**STEP 5.** On the backside of the bench seat, connect the top and bottom strap together and the left and right straps together. Align up the Bench Top Cover and then cinch the straps for a snug fit.



**STEP 6.** Lay Bench Bottom Cover (B) over the bench. Push the back strap through the seat crevice until exposed under the seat. Push side straps around sides of seat and under.



**STEP 7.** Connect the back strap and front strap together and connect the left strap and right strap together. Align seat and then cinch straps for a snug fit. Repeat process for the other side. Be sure not to cover or interfere with any seat belts.



**STEP 8.** Slide Headrest Covers (F) over headrests and align.

**BE SURE TO WEAR SAFETY GLASSES DURING INSTALLATION.** The potential for snap back could result in serious personal injury. Always be sure vehicle is off and in park before any installation. *Be sure when product is installed that it does not cover or impede with the proper functionality of any of the seat belts.*

**WARNING:** This product can expose you to chemicals including Phthalates, which are known in the State of California to cause cancer and reproductive harm. For more information go to: [www.P65Warnings.ca.gov](http://www.P65Warnings.ca.gov)



LeadPro Inc  
Ontario, CA 91761  
[www.leadproinc.com](http://www.leadproinc.com)

Made in China