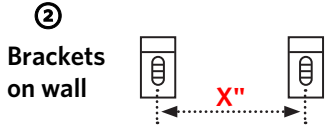
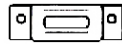


T-Lock Point Security Hanger

Wall Bracket



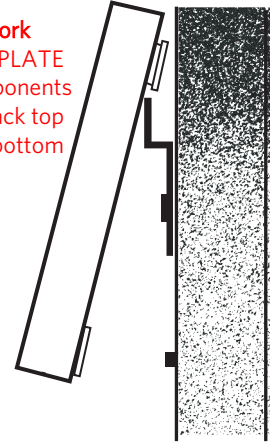
Artwork Plate



ALWAYS USE PROPER TOOLS. Begin by attaching the artwork security PLATES first.

SIDE VIEW

Artwork with PLATE components on back top and bottom



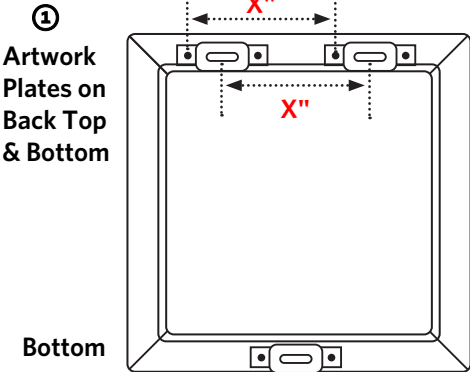
Wall with BRACKET and T-screw components installed

① ARTWORK BACK- Pilot holes are suggested. TOP of artwork, attach two slotted PLATES (using the six (6) 1/2" screws). The PLATES at top should be attached inset to the top corners and level with each other. BOTTOM of artwork, attach one slotted PLATE to the center of the frame. Use the same screws.

② WALL BRACKET- Decide placement and hanging height of the artwork. To install the 2 wall BRACKETS, the distance between the 2 artwork PLATES must first be measured. The distance between the LEFT screw of the LEFT upper PLATE and the LEFT screw of the RIGHT upper PLATE is the distance between the centers of the two PLATES (see X"). Install the 2 wall BRACKETS using the X" measurement center to center. Make sure that the BRACKETS are level with each other. Small adjustments to level the artwork can be made by slightly loosening the screws, nudging the WALL BRACKET in the direction to achieve levelness, then tighten screws.

③ WALL T-SCREW- Hang the artwork by sliding the frame down onto the 2 installed wall BRACKETS catching the top PLATES on the back of the artwork. Using a pencil, lightly mark the wall where the center of the bottom PLATE is attached to the back of the artwork. Remove the artwork from the wall. Measure 5/16" above the pencil mark, drill a hole, and insert the plastic anchor. Screw the T-screw into the plastic anchor. Leave the T-screw extending from wall about 3/8" and rotate the head of the T-screw in a horizontal position. Replace the artwork on the wall suspended by the wall BRACKETS. The head of the T-screw should now pass through the bottom PLATE on the back of the artwork.

④ Using your hardened wrench, go underneath the bottom of the artwork and turn the head of the T-screw a 1/4 -turn to lock the artwork to the wall.



Bottom

