

Introduction and Features

The APH-GM02 simplifies speaker wire connections when adding aftermarket amplifiers. Aftermarket amplifiers can be easily added with no need to cut or modify a vehicle's original wiring. Each pair of wires has been labeled with the corresponding speaker name.

Installation Notes

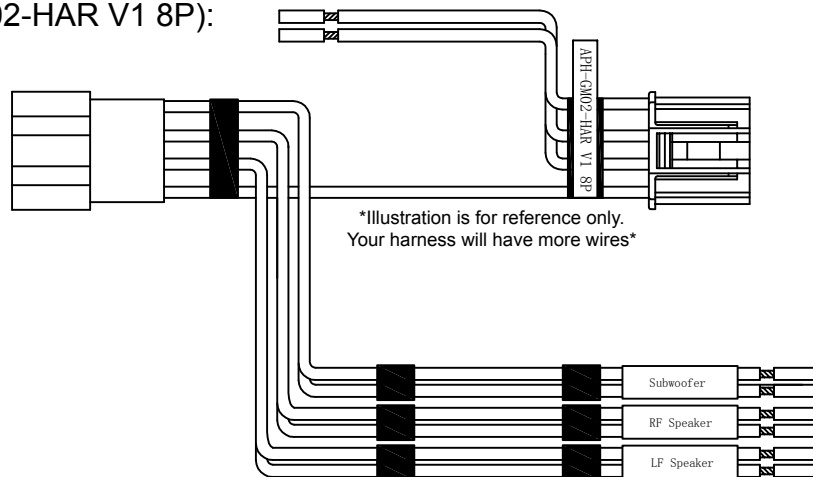
1. It is always best to use a tone generator (PAC Part# TL-PTG2) to verify that the tables in this manual, and the labels on the wires, match the wiring in your specific vehicle. This is important as there are instances where different trim levels of the factory Bose system may have the speaker outputs in different locations. For example, in the 2018 SUV's if the vehicle is equipped with the UQH option, it will use the "LF Speaker 2" labeled wires as the Left Front Tweeter wires where the UQA/UQS option will use the wires labeled "LF Tweeter". These options (RPO Codes) can be found by looking at the RPO Code sticker (if equipped) or scanning the QR code in the driver door jamb.
2. Connection of the male Green 16-pin connector is only necessary if you are leaving factory speakers connected to the factory amplifier.
3. The Black 8-pin female connector from the APH-GM02-HAR V1 8P must be connected to the factory amplifier when using a PAC AmpPRO Interface.
4. Not all applicable vehicles will come equipped with a corresponding speaker for all of the wires populated in our harness. It is important to understand which speakers the vehicle is equipped with.
5. If you are leaving any of the factory speakers connected to the factory amplifier, simply connect the speaker wires (color for color) between the male and female connectors. For example: If you want the rear speakers to be powered by the factory amplifier, simply connect the Green, Green / Black, Purple and Purple / Black wires from the male connector to the Green, Green / Black, Purple and Purple / Black wires from the female connector.

Installation Steps

1. Locate the vehicle's factory amplifier and disconnect the Black 8-pin, Green 16-pin and Black 16-pin connectors.
2. Connect the APH-GM02 harness to the connectors that were disconnected in the previous step.
3. Connect the male connectors from the APH-GM02 to the amplifier.
4. Connect the longer loose wires from the APH-GM02 to your aftermarket amplifier outputs or passive crossovers according to the tables in this manual. Insulate the shorter loose wires when they are not in use.

Wiring Overview

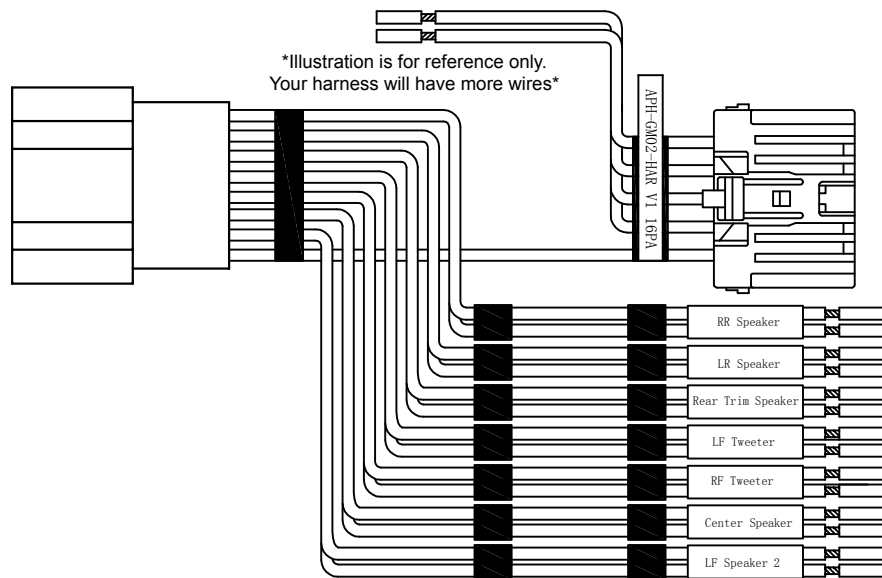
Harness 1 (APH-GM02-HAR V1 8P):



Pin Number	Wire Color	Wires Description	Label
1	Black	Pass through (Ground)	
5	Yellow	Pass through (Constant 12v)	
2	White / Black	Front Left Midrange -	LF Speaker
6	White	Front Left Midrange +	
3	Gray / Black	Front Right Midrange -	RF Speaker
7	Gray	Front Right Midrange +	
4	Blue / Black	Subwoofer -	Subwoofer
8	Blue	Subwoofer +	

Wiring Overview (cont.)

Harness 2 (APH-GM02-HAR V1 16PA):



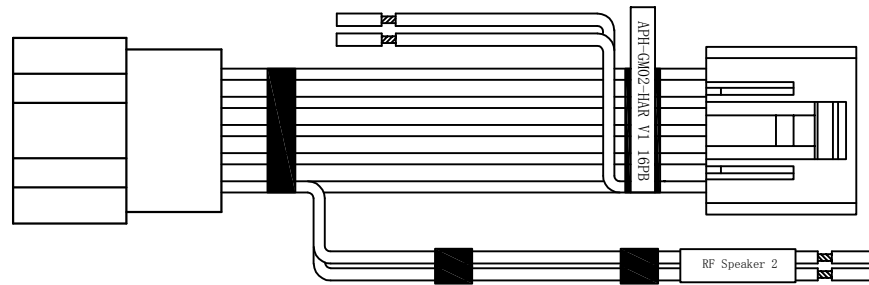
Connect to Aftermarket amplifier
output or passive crossover.

Pin Number	Wire Color	Wires Description	Label
1	Brown	Pass through	
9	Brown	Pass through	
2	Green / Black	Rear Left Midrange -	LR Speaker
10	Green	Rear Left Midrange +	
3	Purple / Black	Rear Right Midrange -	RR Speaker
11	Purple	Rear Right Midrange +	
4	White / Blue	Front Left Tweeter -	LF Tweeter
12	White / Red	Front Left Tweeter +	
5	Gray / Blue	Front Right Tweeter -	RF Tweeter
13	Gray / Red	Front Right Tweeter +	
6	Orange / White	Rear Trim Speaker -	Rear Trim Speaker
14	Orange	Rear Trim Speaker +	
7	Brown	Center Channel +	Center Speaker
15	Brown / White	Center Channel -	
8	White / Black	Front Left Speaker 2 -	LF Speaker 2
16	White	Front Left Speaker 2 +	

Wiring Overview (cont.)

Harness 3 (APH-GM02-HAR V1 16PB):

*Illustration is for reference only.
Your harness will have more wires*



Connect to Aftermarket amplifier
output or passive crossover.

Pin Number	Wire Color	Wires Description	Label
1	Gray / Black	Front Right Speaker 2 -	RF Speaker 2
9	Gray	Front Right Speaker 2 +	
2	Brown	Pass through	
3	Brown	Pass through	
4	Brown	Pass through	
5	Brown	Pass through	
6	Brown	Pass through	
7	Brown	Pass through	
8	Brown	Pass through	
10	Brown	Pass through	
11	Brown	Pass through	
12	Brown	Pass through	
13	Brown	Pass through	
14	Brown	Pass through	
15	Pink	Pass through	
16	Green	Pass through	