



Toyota Sequoia 2008-up, Tundra 2007-2013

Visit MetraOnline.com for more detailed information about the product and up-to-date vehicle specific applications

KIT FEATURES

- DIN radio provision with pocket
- ISO DIN radio provision with pocket
- ISO DDIN radio provision
- 99-8820 - Painted matte black
- 99-8820HG - Painted high gloss black
- 99-8820CHG - Painted high gloss charcoal (matches 2010-up)

KIT COMPONENTS

- A) Radio housing • B) ISO DDIN trim plate • C) ISO DDIN radio brackets • D) ISO DIN trim plate • E) ISO DIN radio brackets • F) Pocket

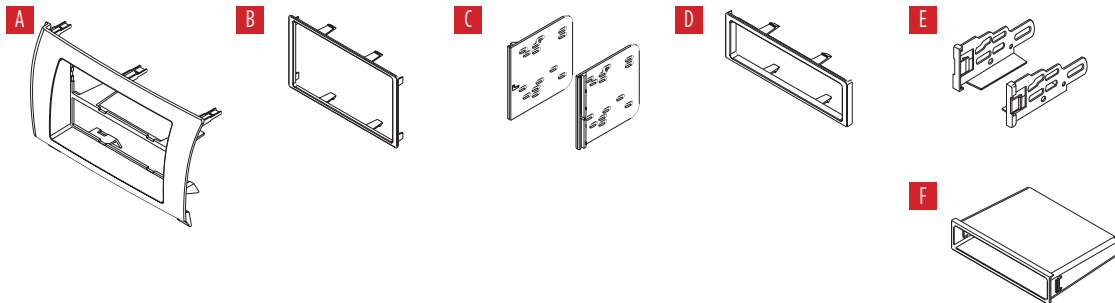


TABLE OF CONTENTS

Dash Disassembly	
-With console shifter	2
-With column shifter	3
Kit Assembly	
-DIN radio provision with pocket	4
-ISO DIN radio provision with pocket	5
-ISO DDIN radio provision	6

WIRING & ANTENNA CONNECTIONS (sold separately)

Wiring Harness: Please visit metraonline.com for wiring harness options

Antenna Adapter: Please visit metraonline.com for antenna adapter options

TOOLS REQUIRED

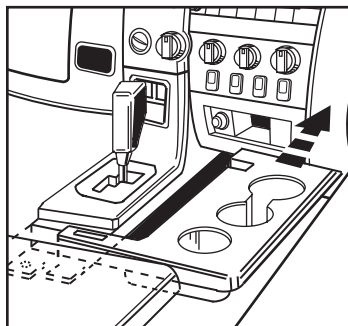
- Panel removal tool • Phillips screwdriver
- Hook tool • 10mm socket wrench • Cutting tool

Attention! Let the vehicle sit with the key out of the ignition for a few minutes before removing the factory radio. When testing the aftermarket equipment, ensure that all factory equipment is connected before cycling the key to ignition.

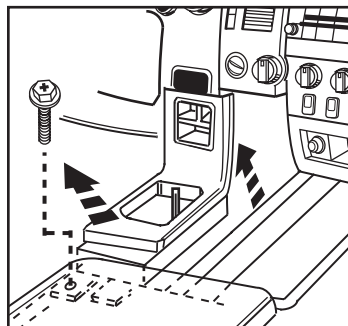
DASH DISASSEMBLY

With console shifter

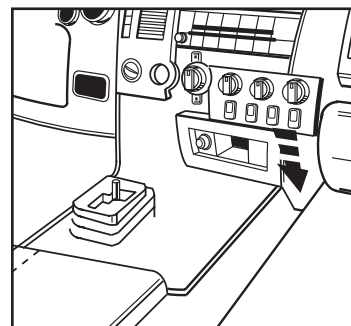
1. Unclip and remove the trim panel around the cup holders. (Figure A)
2. Remove (1) Phillips screw securing the shifter trim panel, then unclip and remove the panel. (Figure B)
3. Unclip, unplug and remove the climate control assembly. (Figure C)
4. Remove (4) 10mm screws securing the bottom of the radio. (Figure D)
5. Unclip the right side of the instrument panel trim to allow room for the radio to be removed in the following step.
6. Unclip the radio from the dash. Slide the radio out, then unplug and remove radio. (Figure E)



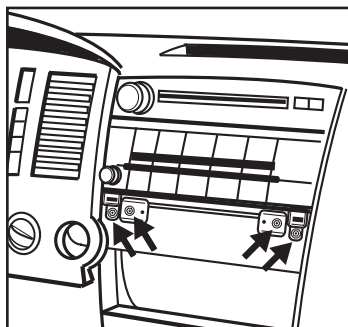
(Figure A)



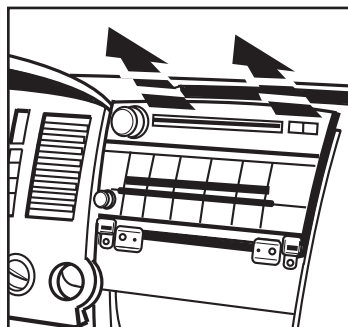
(Figure B)



(Figure C)



(Figure D)



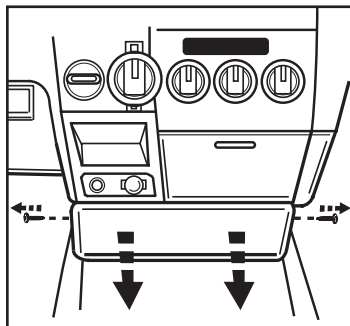
(Figure E)

Continue to Kit Assembly

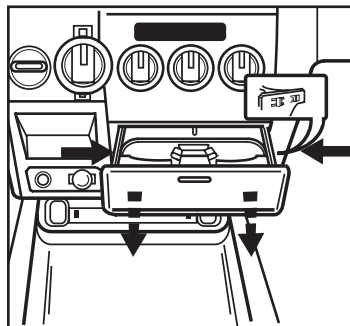
DASH DISASSEMBLY

With column shifter

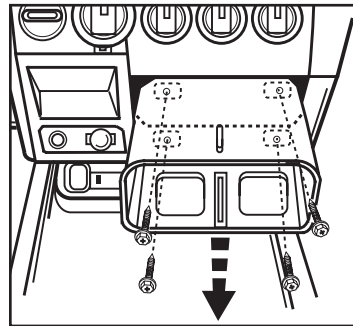
1. Remove (2) plastic Phillips screws from each side of the trim panel below the cup holder, then unclip and remove the panel. (Figure A)
2. Pull the cup-holder out, then depress the clip from each side to remove the cup-holder from the dash. (Figure B)
3. Remove (4) Phillips screws securing the cup-holder assembly to the dash, then unclip and remove the assembly. (Figure C)
4. Unclip the climate control assembly and set aside. (Figure D)
5. Remove (4) 10mm bolts securing the bottom of the radio. (Figure E)
6. Unclip the right side of the instrument panel trim to allow room for the radio to be removed in the following step.
7. Unclip the radio from the dash. Slide the radio out, then unplug and remove radio. (Figure F)



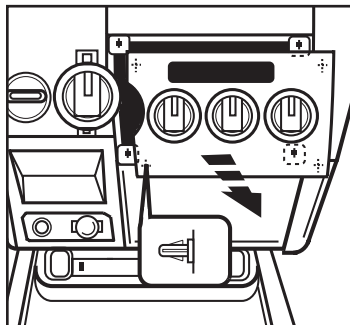
(Figure A)



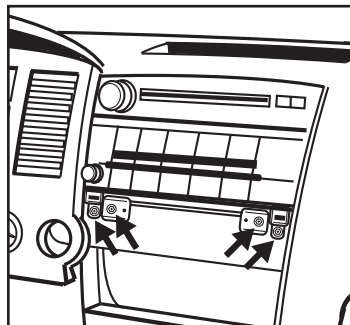
(Figure B)



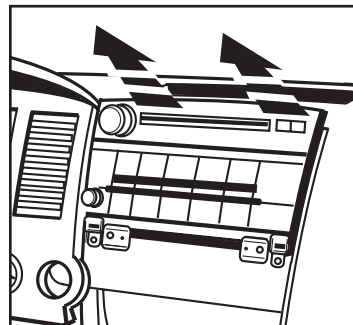
(Figure C)



(Figure D)



(Figure E)



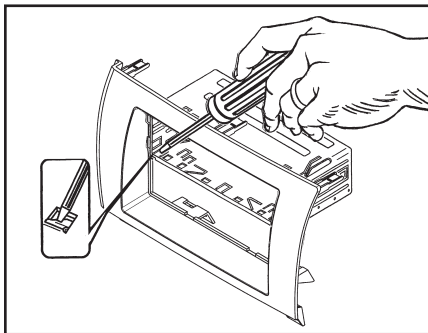
(Figure F)

Continue to Kit Assembly

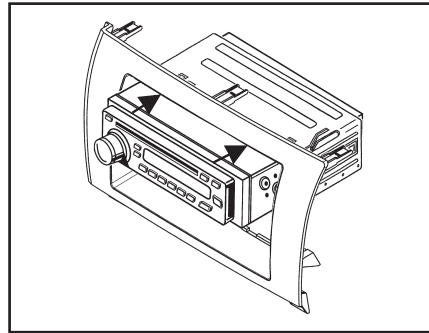
KIT ASSEMBLY

DIN radio provision with pocket

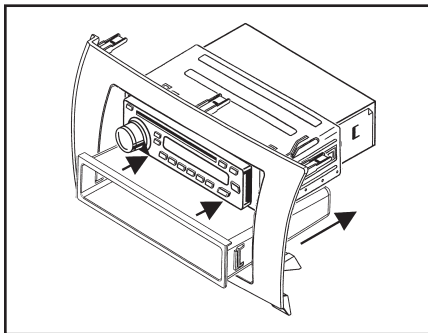
1. Remove the metal DIN sleeve from the aftermarket radio.
2. Slide the sleeve into the **radio housing** and secure by bending the metal locking tabs outward. (Figure A)
3. Slide the radio back into the sleeve until it snaps into place. (Figure B)
4. Snap the **pocket** into the **radio housing**. (Figure C)
5. Locate the factory wiring harness and antenna connector in the dash. Metra recommends using the proper mating adapter from Metra or AXCESS. Test the radio for proper operation.
6. Reassemble the dash in reverse order of disassembly to complete the installation.



(Figure A)



(Figure B)

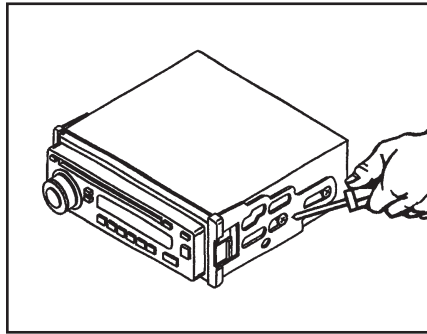


(Figure C)

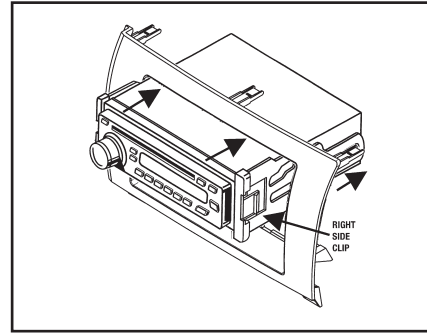
KIT ASSEMBLY

ISO DIN radio provision with pocket

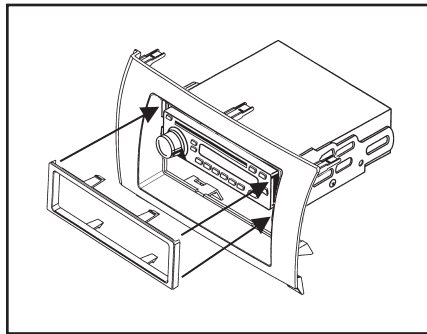
1. Remove the metal DIN sleeve and trim ring from the aftermarket radio.
2. Secure the **ISO DIN radio brackets** to the radio using the screws supplied with the radio. (Figure A)
3. Slide the radio into the **radio housing** until it snaps into place. (Figure B)
4. Snap the **ISO DIN trim plate** onto the front of the radio/housing assembly. (Figure C)
5. Snap the **pocket** into the **radio housing**. (Figure D)
6. Locate the factory wiring harness and antenna connector in the dash. Metra recommends using the proper mating adapter from Metra or AXCESS. Test the radio for proper operation.
7. Reassemble dash in reverse order of disassembly to complete the installation.



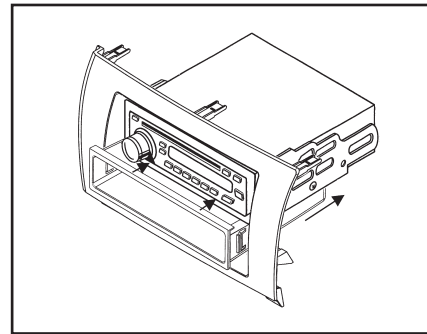
(Figure A)



(Figure B)



(Figure C)

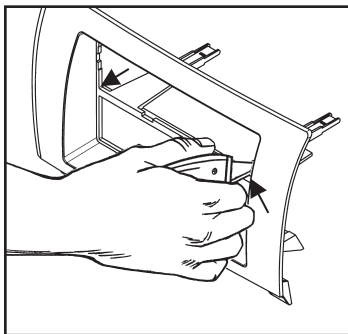


(Figure D)

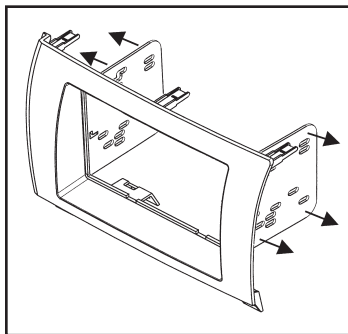
KIT ASSEMBLY

ISO DDIN radio provision

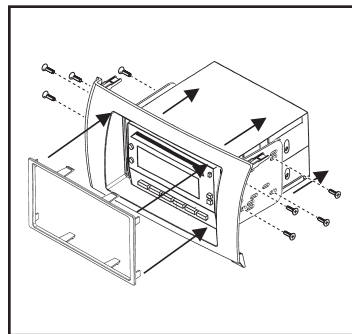
1. Cut and remove the center bar from the **radio housing**. (Figure A)
2. Snap the **ISO DDIN radio brackets** to the inside edge of the **radio housing**. (Figure B)
3. Slide the radio into the bracket/radio housing assembly and secure using screws supplied with the radio. (Figure C)
4. Snap the **ISO DDIN trim plate** onto the front of the radio/housing assembly. (Figure C)
5. Locate the factory wiring harness and antenna connector in the dash. Metra recommends using the proper mating adapter from Metra or AXCESS. Test the radio for proper operation.
6. Reassemble the dash in reverse order of disassembly to complete the installation.



(Figure A)



(Figure B)



(Figure C)





99-8220
INSTALLATION INSTRUCTIONS



If you are having difficulties with the installation of this product, contact our Tech Support line either by phone at **1-800-253-TECH**, or email at **techsupport@metra-autosound.com**. Before doing so, look over the instruction booklet a second time and ensure that the installation was performed exactly as the instruction booklet is stated. Have the vehicle apart and ready to perform troubleshooting steps before contacting Metra/Axxess Tech Support.



KNOWLEDGE IS POWER

Enhance your installation and fabrication skills by enrolling in the most recognized and respected mobile electronics school in our industry. Log onto www.installerinstitute.com or call 800-354-6782 for more information and take steps toward a better tomorrow.



Metra recommends MECP certified technicians