



## INSTALLATION INSTRUCTIONS FOR PART 99-8217

### APPLICATIONS

See application list inside

## Toyota RAV 4 2006-up 99-8217

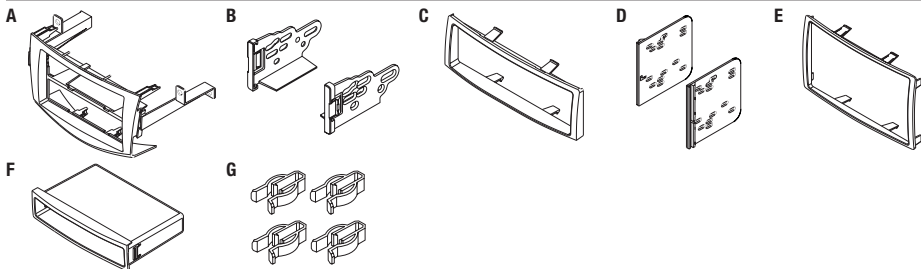
### KIT FEATURES

- DIN radio provision with pocket
- ISO DIN radio provision with pocket
- Double DIN radio provision
- **Painted Matte Black to match OEM factory finish**



### KIT COMPONENTS

- A) Radio housing • B) ISO Snap in brackets • C) Trim plate • D) Double DIN brackets
- E) Double DIN trim plate • F) Pocket • G) (2) White panel clips and (2) Yellow panel clips



### WIRING & ANTENNA CONNECTIONS (sold separately)

#### Wiring Harness:

- 70-1761 - Toyota harness 1987-up
- TYTO-01 - Toyota JBL amp interface 2003-up

#### Antenna Adapter:

- Not required

### TOOLS REQUIRED

- Panel removal tool • Phillips screwdriver
- Small flat blade screwdriver • Socket wrench

**CAUTION:** Metra recommends disconnecting the negative battery terminal before beginning any installation. All accessories, switches, and especially air bag indicator lights must be plugged in before reconnecting the battery or cycling the ignition.

**NOTE:** Refer to the instructions included with the aftermarket radio.

## Table of Contents

### Dash Disassembly

– Toyota RAV4 2006-up .....2

### Kit Preparation

– Toyota RAV4 2006-up .....3

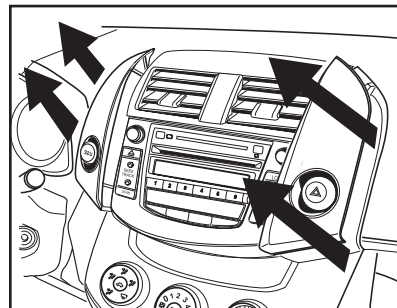
### Kit Assembly

– DIN radio provision with pocket .....3  
 – ISO radio provision with pocket.....4  
 – Double DIN radio provision.....5

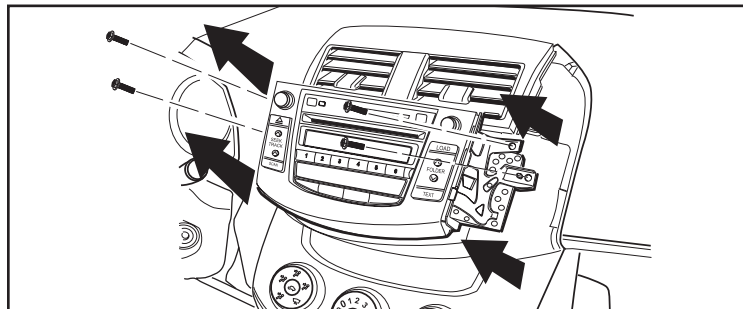
## Toyota RAV 4 2006-up

1. Unclip and remove the (2) side panels on the left and right side of the factory radio. (Figure A)
2. Remove (4) 10mm screws securing the radio. (Figure B)

*Continue to kit preparation*



(Figure A)



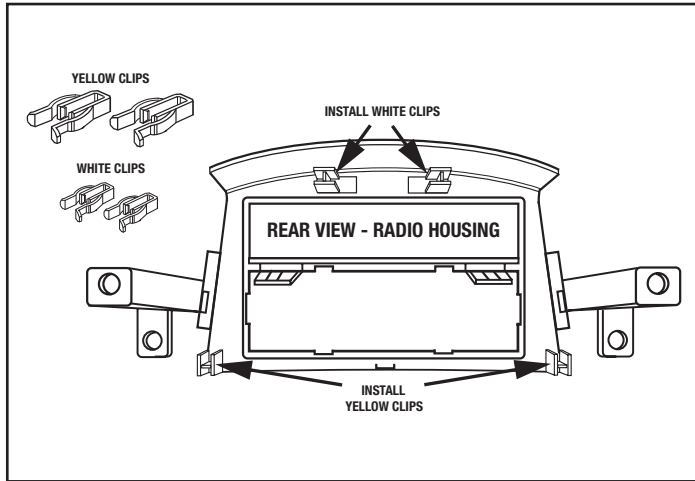
(Figure B)

## Toyota RAV 4 2006-up

1. Attach (2) white panel clips and (2) yellow panel clips to rear of radio housing where shown. (Figure A)

**Note:** OEM factory clips can also be used.

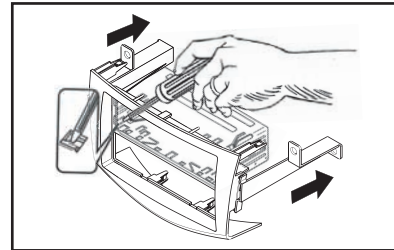
Continue to kit assembly



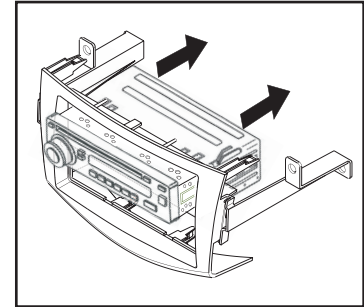
(Figure A)

## DIN radio provision with pocket

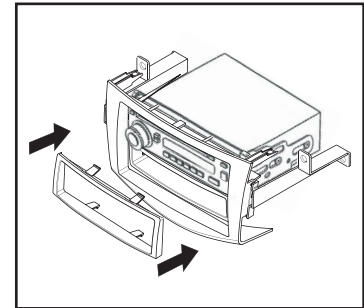
1. Slide the DIN cage into the radio housing and secure by bending the metal locking tabs outward. (Figure A)
2. Slide the aftermarket radio into the cage until it snaps into place. (Figure B)
3. Snap the pocket into the radio housing. (Figure C)
4. Locate the factory wiring harness in the dash. Metra recommends using the proper mating adapter from Metra or AXCESS. Reconnect the negative battery terminal and test the unit for proper operation.
5. Reassemble dash in reverse order of disassembly.



(Figure A)



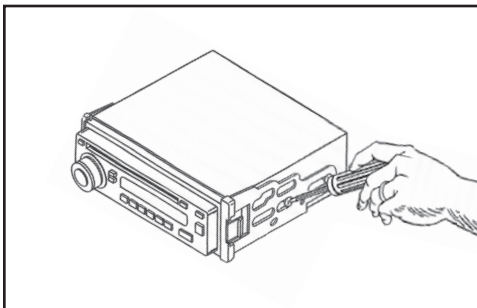
(Figure B)



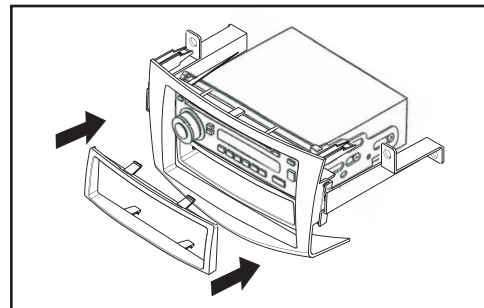
(Figure C)

## ISO mount radio provision with pocket

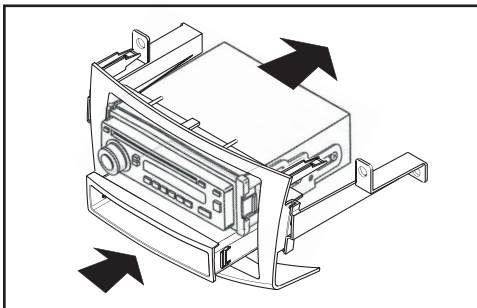
1. Mount the ISO brackets to the radio using the screws supplied with the radio. (Figure A)
2. Slide the aftermarket radio into the radio opening until the side clips snap into place. (Figure B)
3. Snap the pocket into the radio housing. (Figure B)
4. Snap the trim plate onto the front of the radio housing assembly. (Figure C)
5. Locate the factory wiring harness in the dash. Metra recommends using the proper mating adapter from Metra or AXCESS. Re-connect the negative battery terminal and test the unit for proper operation.
6. Reassemble dash in reverse order of disassembly.



(Figure A)



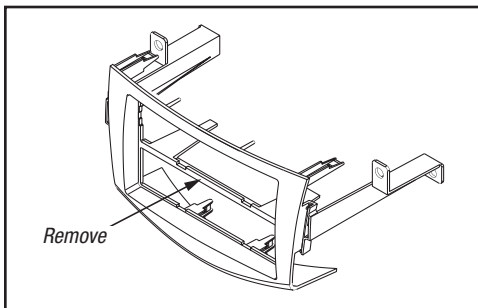
(Figure C)



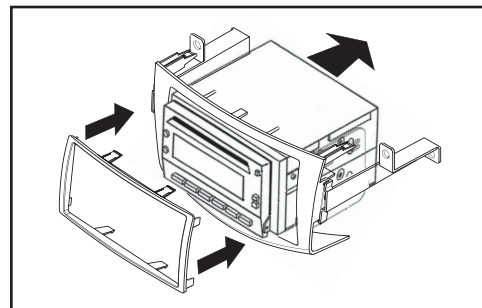
(Figure B)

## Double DIN radio provision

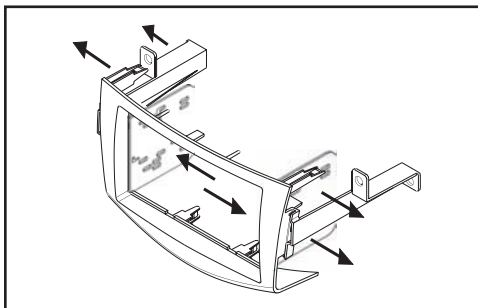
1. Cut and remove center divider from radio housing. (Figure A)
2. Snap the Double DIN brackets to the inside edge of the radio housing. (Figure B)
3. Slide the Double DIN radio into the Double DIN bracket/radio housing assembly and secure the radio to the assembly using the screws supplied with the radio. (Figure C)
4. Snap the Double DIN trim-plate onto the front of the housing/radio assembly. (Figure C)
5. Locate the factory wiring harness in the dash. Metra recommends using the proper mating adapter from Metra or AXCESS. Re-connect the negative battery terminal and test the unit for proper operation.
6. Reassemble dash in reverse order of disassembly.



(Figure A)



(Figure C)



(Figure B)







## INSTALLATION INSTRUCTIONS FOR PART 99-8217



REV. 2/27/2014 INST99-8217



### KNOWLEDGE IS POWER

Enhance your installation and fabrication skills by enrolling in the most recognized and respected mobile electronics school in our industry. Log onto [www.installerinstitute.com](http://www.installerinstitute.com) or call 800-354-6782 for more information and take steps toward a better tomorrow.



**Metra recommends MECP certified technicians**