



INSTALLATION INSTRUCTIONS FOR PART 99-8206

APPLICATIONS

Toyota 4-Runner (Excluding Limited) 2003-2009 Toyota Highlander 2001-2007 99-8206

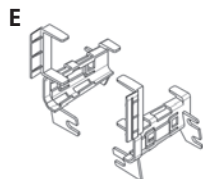
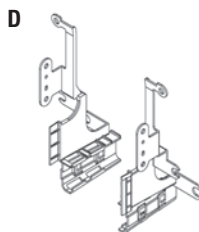
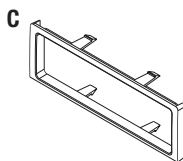
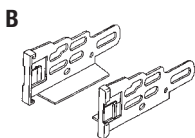
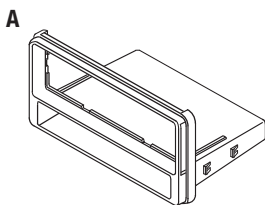


KIT FEATURES

- DIN head unit provision with pocket
- ISO DIN head unit provision with pocket

KIT COMPONENTS

- A) Radio Housing • B) ISO Brackets • C) ISO Trim Plate • D) Highlander Brackets • E) 4-Runner Brackets

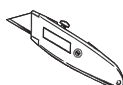
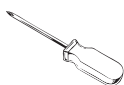


WIRING & ANTENNA CONNECTIONS (Sold Separately)

- Wiring Harness: • 70-1761 Toyota harness 1987-up
• TYTO-01 Toyota amp interface harness 2003-up
- Antenna Adapter: • Not Required

TOOLS REQUIRED

- Phillips Screwdriver • Socket Wrench • Cutting Tool



METRA. THE WORLD'S BEST KITS.™



1-800-221-0932



metraonline.com

© COPYRIGHT 2004-2011 METRA ELECTRONICS CORPORATION



99-8206

Table of Contents

Dash Disassembly

- 2003-2009 Toyota 4 Runner (*Excluding Limited*)3-4
- 2001-2007 Toyota Highlander 5

Kit Assembly

- Toyota 4-Runner bracket assembly 6
- Toyota Highlander bracket assembly 6
- DIN head unit provision 7
- ISO DIN head unit provision 8

Caution

Metra recommends disconnecting the negative battery terminal before beginning any installation. All accessories, switches, and especially air bag indicator lights must be plugged in before reconnecting the battery or cycling the ignition.

****NOTE: Refer also to the instructions included with the aftermarket radio.***



KNOWLEDGE IS POWER

Enhance your installation and fabrication skills by enrolling in the most recognized and respected mobile electronics school in our industry. Log onto www.installerinstitute.com or call 800-354-6782 for more information and take steps toward a better tomorrow.



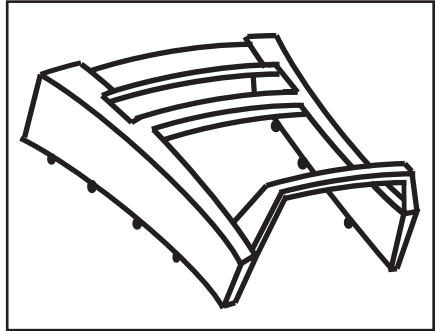
Metra recommends MECP certified technicians

Toyota 4-Runner 2003-2009

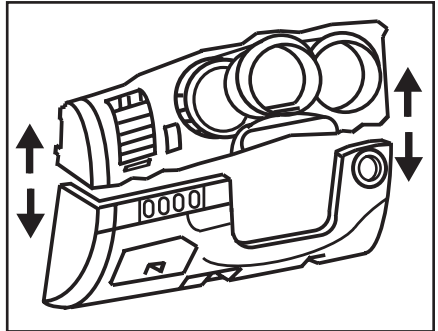
(Excluding Limited)

1. Unsnap and remove trim from around shifter.
2. Unsnap and remove trim covers from around center console pocket edge at front and rear of console.
3. Unsnap and remove center console cover. (Figure A)
4. Unsnap trim ring from around ignition key cylinder.
5. Remove (1) 10 mm bolt from bottom right of panel below steering column. Unsnap panel and pull away to gain access behind panel. (Figure B)
6. Remove (1) 10 mm bolt on bottom left of center panel behind panel below steering column. (Figure B)

Continued on next page



(Figure A)



(Figure B)



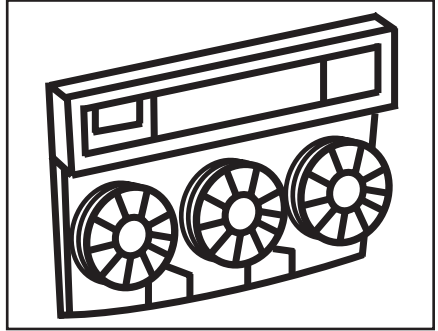
Dash Disassembly 99-8206

Toyota 4-Runner 2003-2009

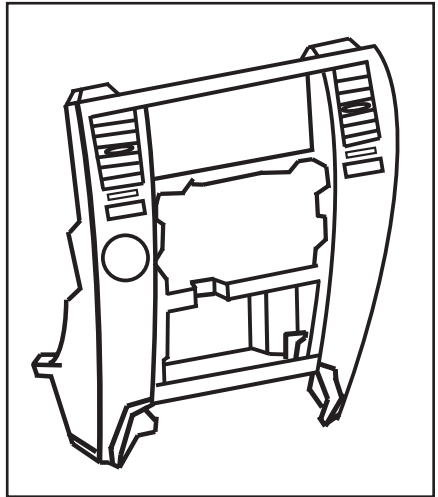
(Excluding Limited)

7. Remove (1) 10 mm bolt beneath climate control behind pocket door. Unsnap and remove climate control. (Figure C)
8. Remove (2) 10 mm bolts beneath radio behind climate controls.
9. Unsnap and remove entire center panel around radio. (Figure D)
10. Remove (2) 10 mm bolts securing radio to remove.

Continue to kit assembly



(Figure C)

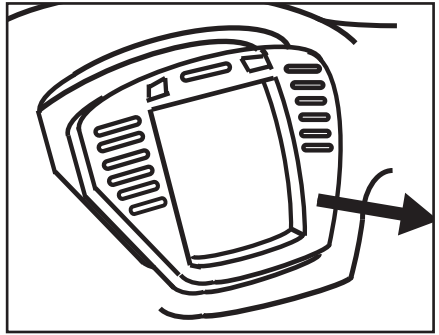


(Figure D)

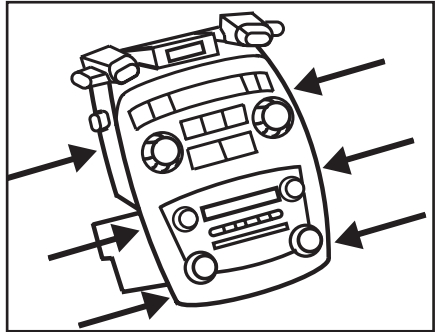
Toyota Highlander 2001-2007

1. Pull and remove dash panel from radio and climate controls. *Tip: There are 8 clips.* (Figure A)
2. Remove (6) 10 mm bolts from radio and climate controls assembly. (Figure B)
3. Remove assembly and disconnect the wiring.
4. Remove (8) Phillips bolts and (4) Phillips screws to separate brackets from assembly. (Figure C)

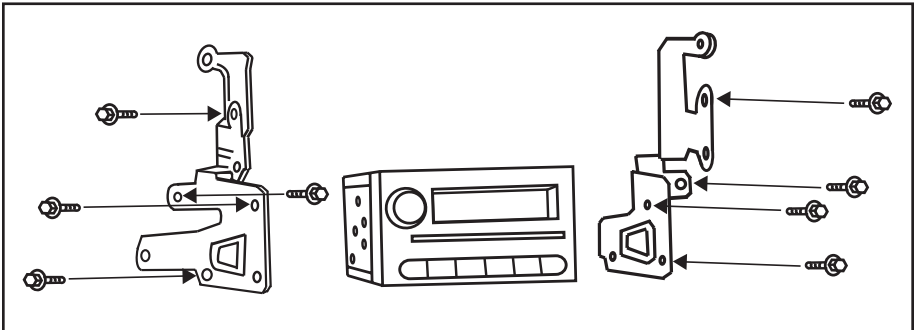
Continue to kit assembly



(Figure A)



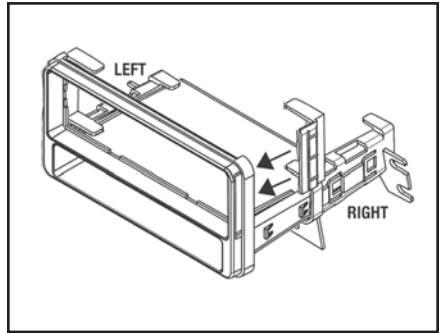
(Figure B)



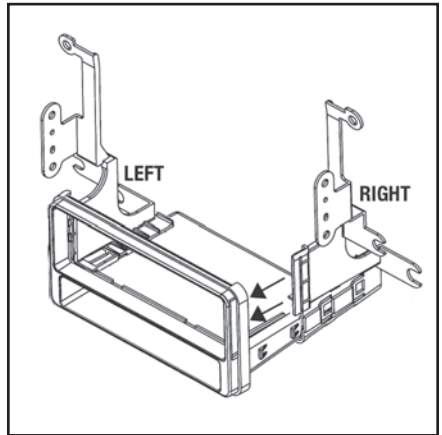
(Figure C)

Kit Preparation

1. Snap the appropriately marked mounting brackets for your application onto the sides of the radio housing. The brackets are marked 4-Runner or Highlander and left or right.
(Figure A - 4 RUNNER)
(Figure B - HIGHLANDER)



(Figure A)



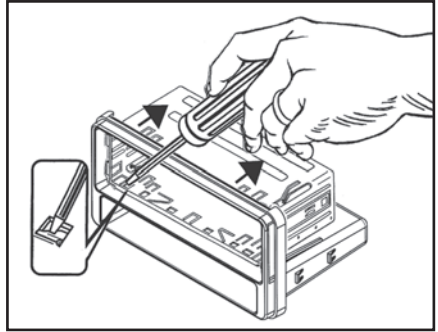
(Figure B)



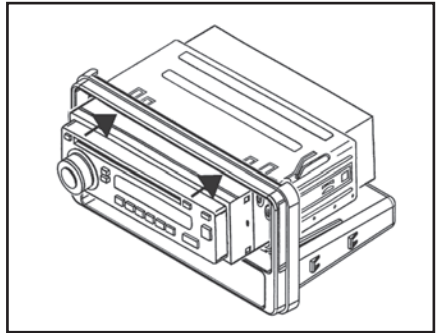
Kit Assembly 99-8206

DIN head unit provision with pocket

1. Locate the factory wiring harness in the dash. Metra recommends using the proper mating adapter from Metra or AXXESS. Re-connect the negative battery terminal and test the unit for proper operation.
2. Slide the DIN cage into the radio housing and secure by bending the metal locking tabs outward. (Figure A)
3. Snap the aftermarket radio into the cage and secure. (Figure B)
4. Reassemble dash in reverse order of disassembly.



(Figure A)



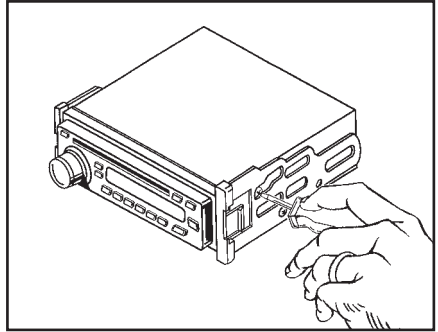
(Figure B)



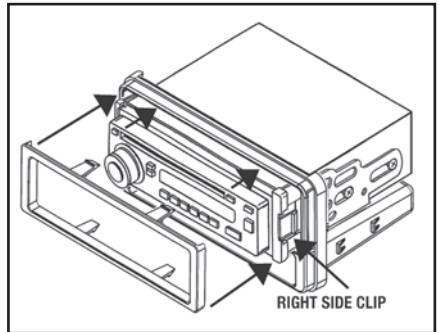
Kit Assembly 99-8206

ISO DIN head unit provision with pocket

1. Locate the factory wiring harness in the dash. Metra recommends using the proper mating adapter from Metra or AXXESS. Re-connect the negative battery terminal and test the unit for proper operation.
2. Mount the ISO brackets to the head unit with the screws supplied with the radio. (Figure A)
3. Snap the radio into the radio housing until the side clips engage. (Figure B)
4. Snap the ISO trim plate onto the radio/housing assembly. (Figure B)
5. Reassemble dash in reverse order of disassembly.



(Figure A)



(Figure B)



INSTALLATION INSTRUCTIONS FOR PART 99-8206

REV. 7/07/11

METRA. THE WORLD'S BEST KITS.™



1-800-221-0932



metraonline.com

© COPYRIGHT 2004-2011 METRA ELECTRONICS CORPORATION