



Installation instructions for part 99-7870

Honda Ridgeline 2005-2014 99-7870G/ 99-7870T

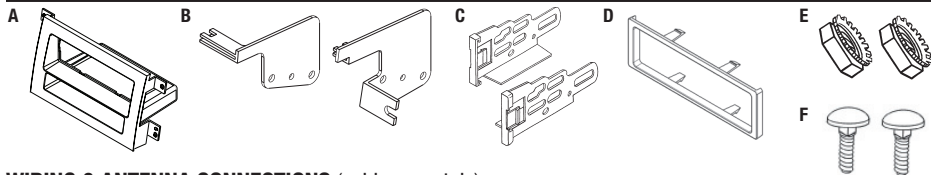
KIT FEATURES

- DIN radio provision with pocket
- ISO DIN radio provision with pocket
- **Painted to match factory dash**
G = GRAY, T=TAN



KIT COMPONENTS

- A) Radio housing • B) Radio housing brackets (to hold factory pocket below radio)
- C) ISO brackets
- D) Trim plate • E) Keps nuts • F) Carriage bolts



WIRING & ANTENNA CONNECTIONS (sold separately)

Wiring Harness: • 70-1721 1998-2008 • 70-1729 2009-2014

Antenna Adapter: • 40-HD10

TOOLS REQUIRED

- Small flat blade screwdriver • Phillips screwdriver

Table of Contents

Dash Disassembly

– Honda Ridgeline 2005-2014..... 2

Kit Preparation..... 2

Kit Assembly

– ISO DIN radio provision with pocket..... 3

– DDIN radio provision with pocket..... 3

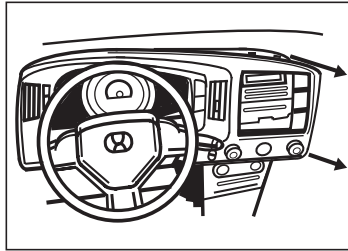
CAUTION: Metra recommends disconnecting the negative battery terminal before beginning any installation. All accessories, switches, and especially air bag indicator lights must be plugged in before reconnecting the battery or cycling the ignition.

NOTE: Refer to the instructions included with the aftermarket radio.

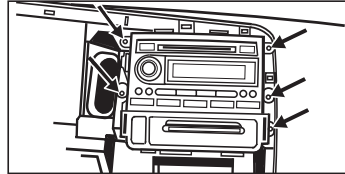
REV. 2/12/2015 INST99-7870

Dash Disassembly

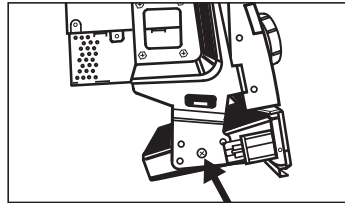
1. Unclip and remove entire panel surrounding radio and a/c control all the way over to left side of steering wheel. (Figure A)
2. Remove (5) Phillips screws securing the radio and pocket assembly. (Figure B)
3. Remove (2) Phillips screws (1 per side) securing factory pocket to radio/pocket bracket assembly. (Figure C, D)



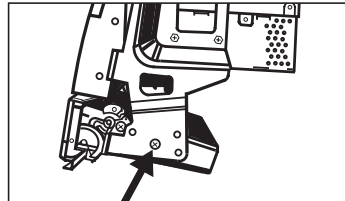
(Figure A)



(Figure B)



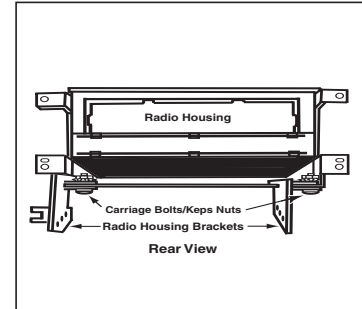
(Figure C)



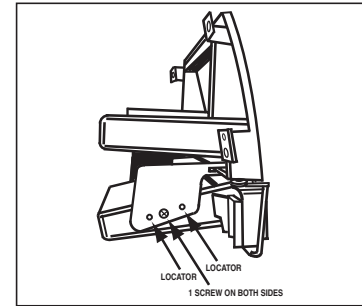
(Figure D)

Kit Preparation

1. Attach the radio housing brackets to the radio housing using the included carriage bolts and Keps nuts. (Figure A)
2. Position the factory pocket into the assembled radio housing assembly and secure with the factory hardware. (Figure B)



(Figure A)

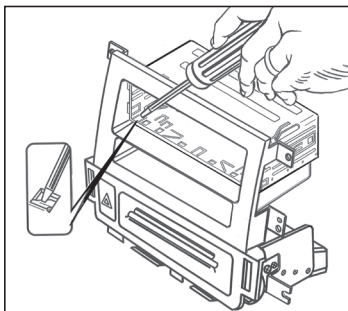


(Figure B)

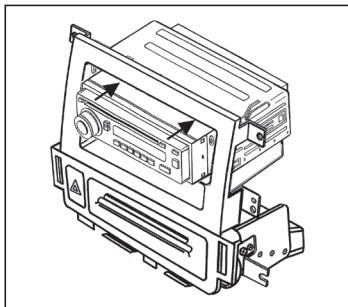
Kit Assembly

DIN radio provision with pocket

1. Slide the DIN cage into the Radio Housing and secure by bending the metal locking tabs down. (Figure A)
2. Slide the aftermarket radio into the cage and secure. (Figure B)
3. Locate the factory wiring harness and antenna plug in the dash. Metra recommends using the proper mating adapters from Metra and/or AXXESS.
4. Mount the new radio assembly into the dash and reassemble the dash in reverse order of disassembly.



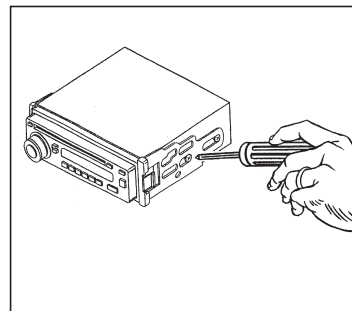
(Figure A)



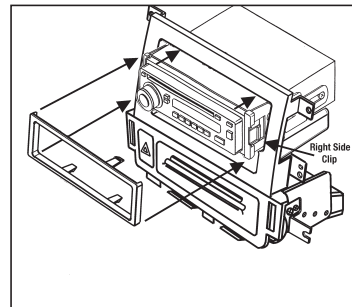
(Figure B)

ISO DIN radio provision with pocket

1. Remove the metal "DIN" sleeve and plastic trim ring from the aftermarket radio. (Figure A)
2. Mount the ISO Brackets to the radio with the screws supplied with the radio. (Figure A)
3. Slide the radio into the radio opening until the side clips engage. (Figure B)
4. Snap the trim plate into the Radio Housing. (Figure B)
5. Locate the factory wiring harness and antenna plug in the dash. Metra recommends using the proper mating adapters from Metra and/or AXXESS.
6. Mount the new radio assembly into the dash and reassemble the dash in reverse order of disassembly.



(Figure A)



(Figure B)



Installation instructions for part 99-7870



REV. 2/12/2015 INST99-7870



KNOWLEDGE IS POWER

Enhance your installation and fabrication skills by enrolling in the most recognized and respected mobile electronics school in our industry. Log onto www.installerinstitute.com or call 800-354-6782 for more information and take steps toward a better tomorrow.



**Metra recommends MECP
certified technicians**