



Ford F-150 2015-2017 / Ford F250/350/450 XL (w/ CD), XLT 2017

Visit MetraOnline.com for more detailed information about the product and up-to-date vehicle specific applications

KIT FEATURES

- ISO DIN radio provision with pocket
- ISO DDIN radio provision
- Touchscreen display for climate and personalization features
- Included interface for climate and steering wheel functions
- Integrated passenger airbag indicator
- Painted charcoal

Note: This kit will not support the Pro Trailer Backup Assist™ feature, nor the massaging seats.

KIT COMPONENTS

- A) Radio trim panel with touchscreen display
- B) Radio brackets
- C) SYNC® module brackets
- D) Pocket
- E) (4) #8 x 3/8" Phillips truss-head screws
- F) (4) #4 x 1/2" Phillips pan-head screws
- G) (7) Panel clips
- H) HVAC interface and wiring harness (not shown)
- I) Antenna adapter (not shown)

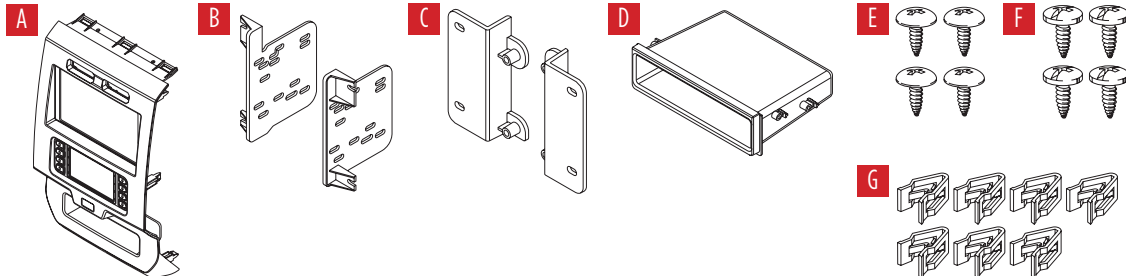


TABLE OF CONTENTS

| | |
|---------------------------------------|------|
| Dash Disassembly | 2-3 |
| Kit Preparation | 4 |
| Kit Assembly | |
| – ISO DIN radio provision with pocket | 5 |
| – ISO DDIN radio provision | 5 |
| Axxess Interface Installation | 6-16 |
| Final Assembly | 11 |

WIRING & ANTENNA CONNECTIONS

Wiring Harness: Axxess interface built into touchscreen

Antenna Adapter: Included with kit

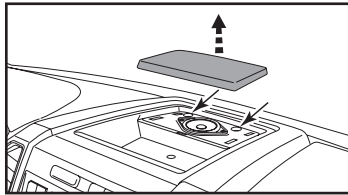
TOOLS REQUIRED

- Panel removal tool
- Phillips screwdriver
- 9/32" socket wrench
- Cutting tool

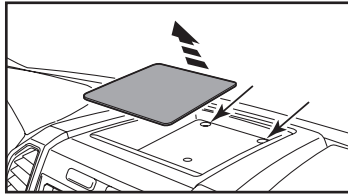
Attention! With the key out of the ignition, disconnect the negative battery terminal before installing this product. Ensure that all installation connections are secure before cycling the ignition to test this product.

DASH DISASSEMBLY

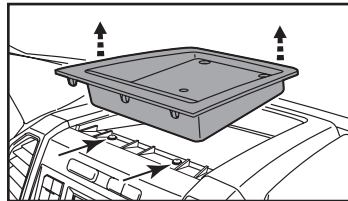
- 1. For vehicles with a center channel speaker:** Unclip and remove the speaker grille in the center of the dash above the radio/climate control panel, and then remove the (2) 9/32" screws exposed. (Figure A)
- 2. For vehicles without a center channel speaker:** Remove the rubber pad in the shallow pocket above the radio/climate control panel, and then remove the (2) 9/32" screws exposed. (Figure B)
- 3.** Unclip and remove the panel above the radio/climate control panel, and then remove the (2) 9/32" screws from the top of the radio/climate control panel. (Figure C)



(Figure A)



(Figure B)

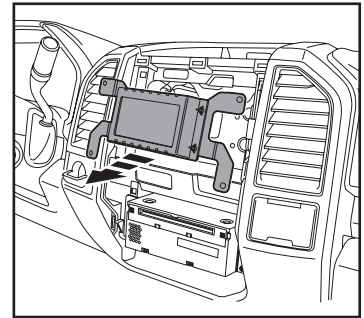


(Figure C)

Ensure that the vehicle is completely off before proceeding onto the following (5) steps

- 4.** Unclip, unplug, and remove the radio/climate control panel.
- 5.** Remove the 9/32" screws securing the display screen; qty. (4) for the 4.2-inch display screen models, qty. (6) for 8-inch display screen models, then unplug and remove. (Figure D)

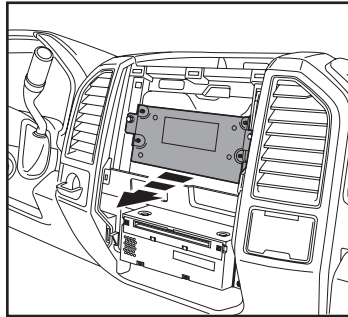
Continued on the next page



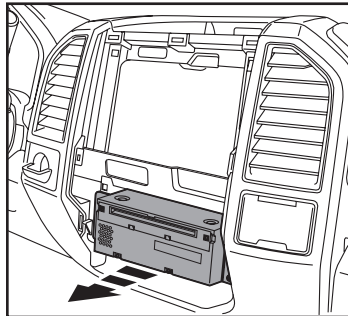
(Figure D)

DASH DISASSEMBLY

6. For models with a 4.2-inch display screen and SYNC®: Remove the (2) 9/32" screws securing the SYNC® module, then unplug and remove. (Figure F)
7. Remove the (4) 9/32" screws securing the radio chassis, then unplug and remove. (Figure G)



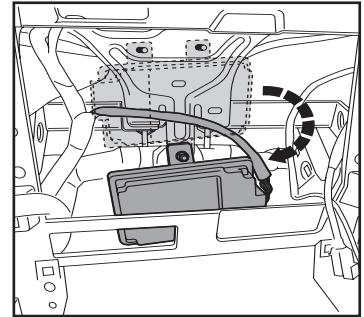
(Figure F)



(Figure G)

8. For models equipped with a factory backup camera: Remove the (3) 10mm nuts securing the camera module, move the module down onto the lower stud, and then re-secure using just (1) 10mm nut. (Figure H)

Continue to Kit Preparation

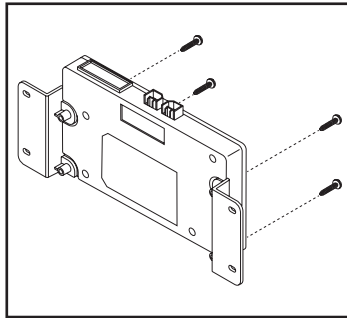


(Figure H)

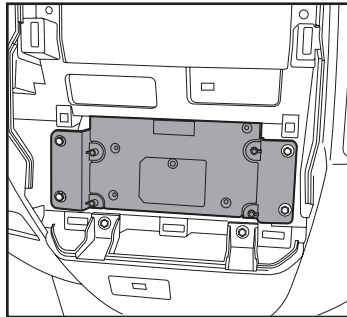
KIT PREPARATION

For 4.2-inch display screen models only, and if SYNC® is desired to be retained:

1. Remove the (4) 9/32" screws securing the brackets from SYNC® module.
2. Attach the SYNC® module brackets to the SYNC® module using the (4) #8 x 1/2" Phillips pan-head screws provided. (Figure A)
3. Secure the module into the lower sub-dash using the factory hardware removed in step 7 of dash disassembly. (Figure B)



(Figure A)



(Figure B)

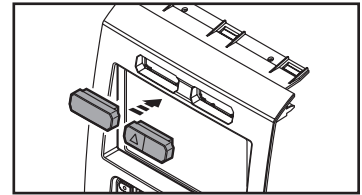
From the factory radio/climate control panel:

1. Unclip and remove the hazard switch and traction control buttons.

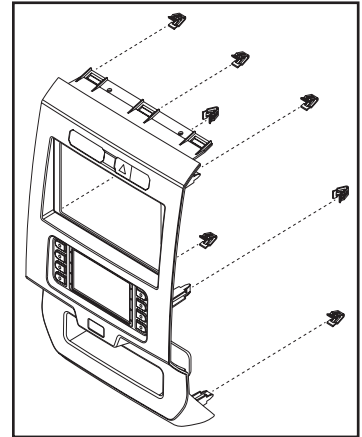
To the 99-5834CH radio trim panel:

1. Attach the hazard switch and traction control buttons. (Figure C)
2. Attach the (7) panel clips provided. (Figure D)

Continue to Kit Assembly



(Figure C)

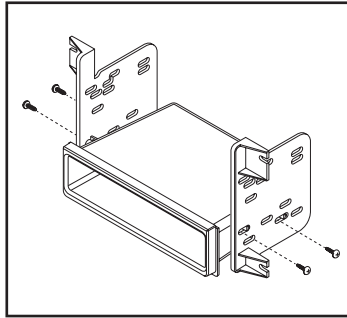


(Figure D)

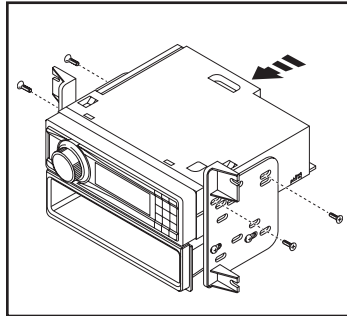
KIT ASSEMBLY

ISO DIN radio provision with pocket

1. Attach the **pocket** to the **radio brackets** using the (4) supplied #8 x 3/8" Phillips truss-head screws. (Figure A)
2. Remove the metal DIN sleeve and trim ring from the aftermarket radio.
3. Slide the radio into the completed assembly, and then secure it to the assembly using screws supplied with the radio. (Figure B)



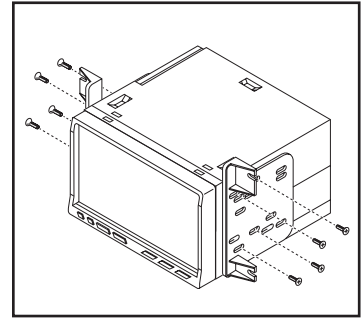
(Figure A)



(Figure B)

ISO DDIN radio provision

1. Attach the **radio brackets** to the radio using screws supplied with the radio. (Figure A)



(Figure A)

AXXESS INTERFACE INSTALLATION

INTERFACE FEATURES

- Provides accessory power (12-volt 10-amp)
- Retains R.A.P. (retained accessory power)
- Provides NAV outputs (parking brake, reverse, speed sense)
- Retains audio controls on the steering wheel
- Retains SYNC® (4.2-inch display screen models only)
- Retains the factory backup camera
- Can be used in both amplified and non-amplified models (including Sony)
- Retains balance and fade (excluding Sony)
- Micro-B USB updatable

INTERFACE COMPONENTS

- Axxess interface (built into the touchscreen display)
- 5834 harness
- HVAC interface
- HVAC interface harness
- 4-pin flat to 4-pin stacked harness
- 16-pin harness with stripped leads
- 54-pin backup camera harness
- 12-pin backup camera harness
- 4-pin harness with yellow RCA jacks
- Female 3.5mm connector with stripped leads

TABLE OF CONTENTS

| | |
|---|-------|
| Connections | |
| For models <i>without</i> a Sony amplifier..... | 7 |
| For models <i>with</i> a Sony amplifier | 8 |
| 3.5mm jack - steering wheel control retention | 9 |
| Backup camera harness..... | 9 |
| Installation | 10 |
| Programming..... | 11 |
| Extra features (SYNC)..... | 11 |
| Touchscreen display operation..... | 12-13 |
| Steering wheel control settings | 14-15 |
| Troubleshooting..... | 16 |

TOOLS REQUIRED

- Crimping tool and connectors, or solder gun, solder, and heat shrink
- Tape • Wire cutter • Zip ties

Attention! This interface will work with models that are either Sony amplified, or non-amplified. Please follow the instructions carefully for your model vehicle. Failure to do so will result in either no sound, or low sound. If you are unsure if your vehicle is factory amplified or not, please contact your local dealership.

CONNECTIONS

For models *without* a Sony amplifier:

From the 16-pin harness with stripped leads to the aftermarket radio:

- Connect the **Red** wire to the accessory wire.
- If equipped with a factory subwoofer, connect the **Blue/White** wire to the amp turn on wire.
- If the aftermarket radio has an illumination wire, connect the **Orange/White** wire to it.
- If the aftermarket radio has a mute wire, and the vehicle is equipped with SYNC®, connect the **Brown** wire to it. If the mute wire is not connected, the radio will turn off when SYNC® is activated.
- Connect the **Gray** wire to the right front positive speaker output.
- Connect the **Gray/Black** wire to the right front negative speaker output.
- Connect the **White** wire to the left front positive speaker output.
- Connect the **White/Black** wire to the left front negative speaker output.
- Tape off and disregard the following (4) wires, they will not be used in this application: **Green, Green/Black, Purple, Purple/Black**

The following (3) wires are only for multimedia/navigation radios that require these wires.

- Connect the **Blue/Pink** wire to the VSS/speed sense wire.
- Connect the **Green/Purple** wire to the reverse wire.
- Connect the **Light Green** wire to the parking brake wire.

From the 5834 harness to the aftermarket radio:

- Connect the **Black** wire to the ground wire.
- Connect the **Yellow** wire to the battery wire.
- Connect the **Green** wire to the left rear positive speaker output.
- Connect the **Green/Black** wire to the left rear negative speaker output.
- Connect the **Purple** wire to the right rear positive speaker output.
- Connect the **Purple/Black** wire to the right rear negative output.
- Tape off and disregard the following (1) wire, it will not be used in this application: **Blue**
- **For models with a 4.2-inch display screen and SYNC®:** Connect the **Red** and **White** RCA jacks labeled “RSE/SYNC/SAT” to the audio AUX-IN jacks of the aftermarket radio.
- **For models equipped without SYNC®:** Connect the **Red** and **White** RCA jacks labeled “FROM 3.5” to the audio AUX-IN jacks of the aftermarket radio.

Continue to 3.5mm jack - steering wheel control retention

CONNECTIONS

For models *with* a Sony amplifier:

From the 16-pin harness with stripped leads to the aftermarket radio:

- Connect the **Red** wire to the accessory wire.
- Connect the **Blue/White** wire to the amp turn on wire. This wire must be connected to hear sound from the factory amplifier.
- If the aftermarket radio has an illumination wire, connect the **Orange/White** wire to it.
- Connect the **Gray** wire to the right front positive speaker output.
- Connect the **Gray/Black** wire to the right front negative speaker output.
- Connect the **White** wire to the left front positive speaker output.
- Connect the **White/Black** wire to the left front negative speaker output.
- Connect the **Green** wire to the left rear positive speaker output.
- Connect the **Green/Black** wire to the left rear negative speaker output.
- Connect the **Purple** wire to the right rear positive speaker output.
- Connect the **Purple/Black** wire to the right rear negative output.
- Tape off and disregard the following (1) wire, it will not be used in this application: **Brown**

The following (3) wires are only for multimedia/navigation radios that require these wires.

- Connect the **Blue/Pink** wire to the VSS/speed sense wire.
- Connect the **Green/Purple** wire to the reverse wire.
- Connect the **Light Green** wire to the parking brake wire

From the 5834 harness to the aftermarket radio:

- Connect the **Black** wire to the ground wire.
- Connect the **Yellow** wire to the battery wire.
- Tape off and disregard the following (5) wires, they will not be used in this application: **Blue, Green, Green/Black, Purple, Purple/Black**
- Disregard the **Red** and **White** RCA jacks labeled “RSE/SYNC®/SAT”, they will not be used in this application.
- Disregard the **Red** and **White** RCA jacks labeled “FROM 3.5”, they will not be used in this application.

Continue to 3.5mm jack - steering wheel control retention

3.5mm jack - steering wheel control retention:

- The 3.5mm jack is to be used to retain audio controls on the steering wheel control.
- For the radios listed below:** Connect the **female 3.5mm connector with stripped leads**, to the male 3.5mm SWC jack from the **5834 harness**. Any remaining wires tape off and disregard:
 - Eclipse:** Connect the steering wheel control wire, normally **Brown**, to the **Brown/White** wire of the connector. Then connect the remaining steering wheel control wire, normally **Brown/White**, to the **Brown** wire of the connector.
 - Metra OE:** Connect the steering wheel control Key 1 wire (**Gray**) to the **Brown** wire.
 - Kenwood or select JVC with a steering wheel control wire:** Connect the **Blue/Yellow** wire to the **Brown** wire.

Note: If your Kenwood radio auto detects as a JVC, manually set the radio type to Kenwood. See the instructions under changing radio type.
 - XITE:** Connect the steering wheel control SWC-2 wire from the radio to the **Brown** wire.
 - Parrot Asteroid Smart or Tablet:** Connect the 3.5mm jack into the AX-SWC-PARROT (sold separately), and then connect the 4-pin connector from the AX-SWC-PARROT into the radio.

Note: The radio must be updated to rev. 2.1.4 or higher software.
 - Universal "2 or 3 wire" radio:** Connect the steering wheel control wire, referred to as Key-A or SWC-1, to the **Brown** wire of the connector. Then connect the remaining steering wheel control wire, referred to as Key-B or SWC-2, to the **Brown/White** wire of the connector. If the radio comes with a third wire for ground, disregard this wire.

Note: After the interface has been programmed to the vehicle, refer to the manual provided with the radio for assigning the SWC buttons. Contact the radio manufacturer for more information.
- For all other radios:** Connect the 3.5mm jack into the port on the radio designated for an external steering wheel control interface. Refer to the manual provided with the radio if in doubt as to where the 3.5mm jack goes to.

From the backup camera harness to the aftermarket radio:

For models with a 4.2-inch display screen:

- Use the 12-pin backup camera harness.

For models with an 8-inch display screen:

- Use the 54-pin backup camera harness.

There are two different methods for connecting the factory backup camera.

If retaining the camera to the aftermarket radio is desired:

- Connect the **Yellow** RCA jack to the backup camera input from the aftermarket radio.

If retaining the camera to the touchscreen display is desired:

- Connect the **Yellow** RCA jack to the **Yellow** RCA jack from the **4-pin harness with yellow RCA jacks** labeled "Rearview camera".

Note: If this method is chosen, the backup camera option must be enabled in **Configuration Settings**.

- Disregard the **Yellow** RCA jack from the **4-pin harness with yellow RCA jacks** labeled "AUX video", it will not be used in this application.

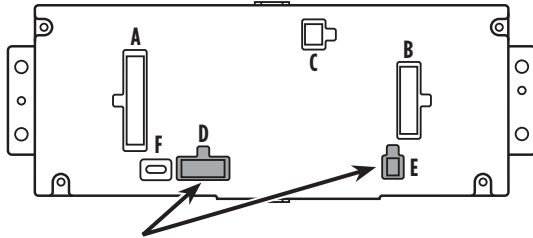
INSTALLATION

It is highly advisable to read the following steps beforehand, to ensure a clear understanding of what is to be expected. The following steps must be done in the order that they are numbered.

With the vehicle completely off:

Touchscreen display

1. Connect the **16-pin harness with stripped leads** into port “B” in the touchscreen display.
2. Connect the **5834 harness** to the wiring harnesses in the vehicle. These harnesses are the ones removed in step 7 of dash disassembly. Then insert the **5834 harness** into port “A” in the touchscreen display. But do not install this harness until exactly before step 1 from the **Programming** section. This is a timed process..
3. Connect the **4-pin harness with yellow RCA jacks** into port “C” in the touchscreen display.
4. Disregard ports “D” and “E”, they will not be used in this application.
5. Port “F” is an update port for future firmware upgrades.



Note: DO NOT CONNECT!

HVAC interface

6. Connect the **HVAC interface harness** into the **HVAC interface**, and then to the wiring harnesses in the vehicle. These harnesses are the ones removed in step 4 of dash disassembly.

Attention! Disregard the 10-pin connector from the HVAC interface harness, it will not be used in this application.

7. Connect the **4-pin flat to 4-pin stacked harness into the HVAC interface**, and then to the passenger airbag light assembly.
8. Connect the 6-pin harness from the **5834 harness** to the **HVAC interface**.
9. **(a) For models with a 4.2-inch display screen:** Connect the **12-pin backup camera harness** to the wiring harness in the vehicle. This harness is the one removed in step 5 of dash disassembly.

(b) For models with an 8-inch display screen: Connect the female connector from the **54-pin backup camera harness** to the wiring harness in the vehicle. This connector is located behind the factory display screen, which was removed in step 5 of dash disassembly.

Note: Disregard the male connector, it will not be used in this application.

10. Locate the factory antenna connector in the dash and complete all necessary connections to the radio. Use the **antenna adapter** provided to adapt the factory antenna connector to the aftermarket radio.

PROGRAMMING

1. Refer to step 2 from the **Installation** section.
 2. Press the push-to-start button to start the vehicle.
 3. Program the kit:
 - a. Once the touchscreen display loads up, select the vehicle type.
 - b. Wait until the radio comes on, and the touchscreen display shows **SWC Configured***. This process may take up to 3 minutes.
- Note:** If the touchscreen display does not load up, or the radio doesn't come on within 3 minutes, and/or the touchscreen display does not show **SWC Configured***, check all connections, then reset the interface and try again. Refer to the **Troubleshooting** section.
- * For models with steering wheel controls.
4. Cycle the key off. If the driver's door is closed, open and close the door. Cycle the key back on.
 5. Test all functions of the installation for proper operation, before reassembling the dash.

FINAL ASSEMBLY

1. Secure the completed assembly into the upper dash using the factory hardware removed in step 5 of **Dash Disassembly**.
2. Snap the **radio trim panel with touchscreen display** over the completed assembly, and then reassemble the dash in reverse order of disassembly to complete the installation.

EXTRA FEATURES

SYNC (4.2-inch display screen models only):

If the vehicle is equipped with SYNC and a 4.2" display screen, the 99-5834CH can retain this feature.

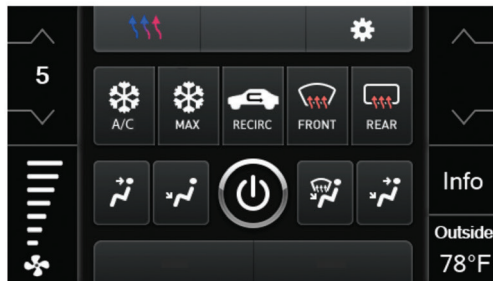
1. Change the source of the radio to AUX-IN.
2. Press the **Info** button on the touchscreen display to enter the SYNC menu.
3. Press the climate control icon button to get back to the main menu.

TOUCHSCREEN DISPLAY OPERATION

Climate Control screen



Auto Climate Control Screen



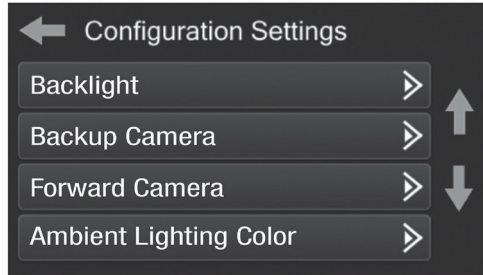
Manual Climate Control Screen

- This is the climate control screen which will be displayed on the touchscreen display. This is considered the **Main Menu**.
- The upper left tab with (3) arrows will take you to the screen where the **Heated/Cooled Seats** and **Heated Steering** are now placed, if applicable.
- The upper right tab with the gear icon will take you to the **Configuration Settings** screen.
- **Auto climate models:** The climate controls will function in the same manner that they did with the factory climate controls.
Note: The “F Cam” button will only be shown if the vehicle is equipped with a front camera.
- **Manual climate models:** The climate controls will function in the same manner that they did with the factory climate controls, yet via touchscreen buttons instead. The temperature control will display a numerical scale, with “LO” being the coldest, and “HI” being the hottest: LO / 1-9 / HI
Note: The “Info” button will only be shown if SYNC is to be retained.

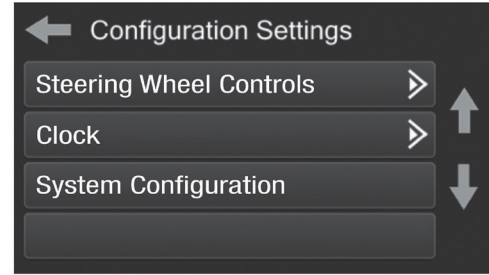
Continued on the next page

TOUCHSCREEN DISPLAY OPERATION (CONT.)

Configuration Settings



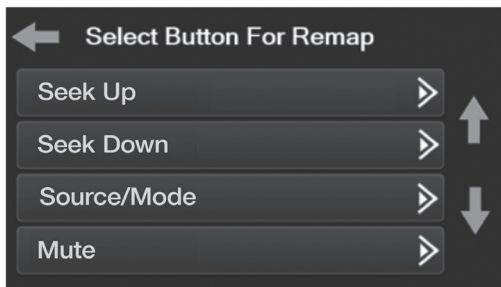
- **Backlight**
 - For controlling the color of the buttons and back-light intensity.
- **Backup Camera**
 - Enable/disables the backup camera image to the touchscreen display. Disabled by default.
- **Forward Camera**
 - To direct where the camera image will be shown, or to disable the camera
- **Ambient Lighting Color**
 - For adjusting the ambient light color in the vehicle



- **Steering Wheel Controls**
 - Remap Buttons – For remapping the steering wheel control buttons
 - Dual Assign – For dual assigning the steering wheel control buttons (long button press)
 - Select Radio – For auto detecting the radio, or changing the radio type
- **Clock**
 - For setting the clock and hour mode
- **System Configuration**
 - About - Information regarding the software in the kit
 - Temperature Unit - To change between Celsius and Fahrenheit
 - Digital Amp Gain - For adjusting the output gain to the amplifier
 - Reset Vehicle Type - To reset the kit to default settings

STEERING WHEEL CONTROL SETTINGS

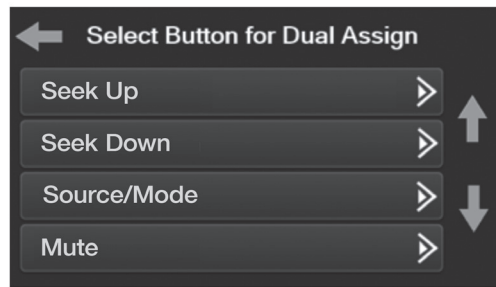
Remap Buttons



- The interface has the ability to change the button assignment for the steering wheel control audio buttons, except Volume-Up and Volume-Down. Follow the prompts on the touchscreen display to remap the steering wheel control audio button(s) to your liking.

Note: The aftermarket radio may not have all of these commands. Please refer to the manual provided with the radio, or contact the radio manufacturer, for specific commands recognized by that particular radio.

Dual Assign



- The interface has the capability to assign two functions to a single button, except Volume-Up and Volume-Down. Follow the prompts on the touchscreen display to program the button(s) to your liking.

Note: Seek-Up and Seek-Down come programmed as Preset-Up and Preset-Down for a long button press.

Continued on the next page

STEERING WHEEL CONTROL SETTINGS (CONT.)

Select Radio screen



- To show which brand radio is “auto detected” to the interface, press the “Autodetect” button. The radio detected will have a filled in circle. If the incorrect radio is shown, select the proper radio.
- Following is a list of radio manufacturers that the interface presently acknowledges. Others may be added at a later date. Universal “2 or 3 wire” radios can show up as any of these radio manufacturers.

| | | | |
|--------------------|----------------|--------------------|-----------|
| Eclipse (Type 1) † | Pioneer/Jensen | Clarion (Type 2) † | Parrot ** |
| Kenwood ‡ | Alpine * | Metra OE | XITE |
| Clarion (Type 1) † | Visteon | Eclipse (Type 2) † | Phillips |
| Sony / Dual | Valor | LG | JBL |
| JVC | | | |

*** Note:** If the interface shows an Alpine radio, and you do not have an Alpine radio, that means the interface does not detect a radio connected it, i.e., an open connection. Verify that the 3.5mm jack is connected to the correct steering wheel jack/wire in the radio.

**** Note:** The AX-SWC-PARROT is required (sold separately). Also, the Parrot radio must be updated to rev. 2.1.4 or higher through www.parrot.com.

† Note: If you have a Clarion radio and the steering wheel controls do not work, change the radio type to the other Clarion radio type; same for Eclipse.

‡ Note: If you have a Kenwood radio and the touchscreen display shows a JVC radio, change the radio type to Kenwood.

TROUBLESHOOTING

Resetting the interface

1. With the vehicle running, press the **Reset Vehicle Type** button mentioned in **System Configuration**.
2. Refer to **Programming**, step 3, from this point.



TROUBLESHOOTING

Resetting the interface

Option # 1

1. With everything connected and the car running.
2. Hold the bottom (2) buttons for 3 seconds, then release. (Figure A)
(The screen will turn black and then put you in the vehicle selection screen)
3. Select your vehicle and wait till the “SWC Configured” appears on the screen.
4. Turn ignition off and start vehicle, then test your interface.



(Figure A)

Option #2

1. With the vehicle running, press the **Reset Vehicle Type** button mentioned in **System Configuration**.
2. Refer to **Programming**, step 3, from this point.

Having difficulties? We're here to help.



Contact our Tech Support line at:

386-257-1187



Or via email at:

techsupport@metra-autosound.com

Tech Support Hours (Eastern Standard Time)

Monday - Friday: 9:00 AM - 7:00 PM

Saturday: 10:00 AM - 7:00 PM

Sunday: 10:00 AM - 4:00 PM



KNOWLEDGE IS POWER

Enhance your installation and fabrication skills by enrolling in the most recognized and respected mobile electronics school in our industry. Log onto www.installerinstitute.edu or call 386-672-5771 for more information and take steps toward a better tomorrow.



Metra recommends MECP certified technicians



Ford F-150 2015-2017 / Ford F250/350/450 XL (con CD), XLT 2017

Visite MetraOnline.com para obtener información más detallada sobre el producto y aplicaciones actualizadas específicas para vehículos.

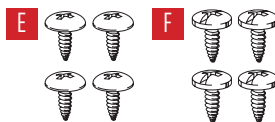
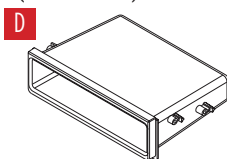
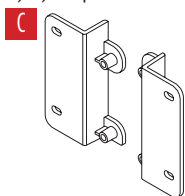
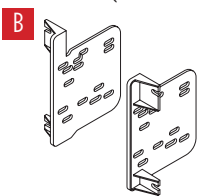
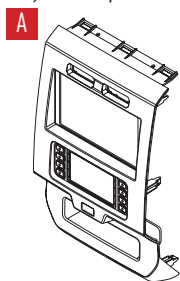
CARACTERÍSTICAS DEL KIT

- Provisión de radio ISO DIN con cavidad
- Provisión de radio ISO DDIN
- Pantalla táctil para el clima y características de personalización
- Interfaz incluida para el clima y las funciones del volante
- Indicador de airbag del pasajero integrado
- Pintura gris oscuro

Nota: Este kit no admite la función Pro Trailer Backup Assist™, ni la luz indicadora lumbar/masaje.

COMPONENTES DEL KIT

- A) Panel de la moldura del radio con pantalla táctil • B) Soportes del radio • C) Soportes del módulo SYNC® • D) Cavidad
- E) (4) Tornillos Phillips #8 de 3/8" de cabeza segmentada • F) (4) Tornillos Phillips #8 de 1/2" de cabeza troncocónica • G) (7) Ganchos para panel
- H) Interfaz y arnés de cableado HVAC (no se muestra) • I) Adaptador de antena (no se muestra)



INDICE

| | |
|---|------|
| Desmontaje del tablero | 2-3 |
| Preparación del kit..... | 4 |
| Ensamble del kit | |
| – Provisión de radio ISO DIN con cavidad..... | 5 |
| – Provisión de radio ISO DDIN..... | 5 |
| Instalación de la interfase Axxess..... | 6-16 |
| Montaje final | 11 |

CABLEADO Y CONEXIONES DE ANTENA

Arnés de cables: Interfaz Axxess incorporada en pantalla táctil

Adaptador de antena: Incluido con el kit

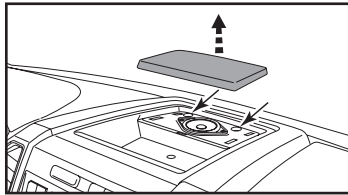
HERRAMIENTAS REQUERIDAS

- Herramienta para quitar paneles
- Destornillador Phillips • Llave del tubo 9/32"
- Herramienta de corte

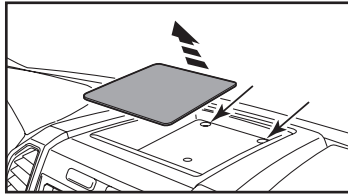
¡Atención! Con la llave fuera del encendido, desconecte el terminal negativo de la batería antes de instalar este producto. Asegúrese de que todas las conexiones de la instalación estén seguras antes de encender y apagar el encendido para probar este producto.

DESMONTAJE DEL TABLERO

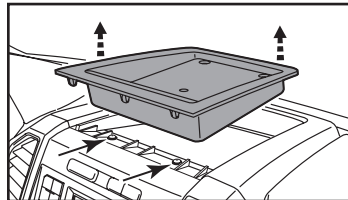
- 1. Para vehículos con una bocina de canal central:** Desenganche y retire la rejilla de la bocina en el centro del tablero por encima del panel del radio/control del clima y luego retire los (2) tornillos de 9/32" expuestos. (Figura A)
- 2. Para vehículos sin una bocina de canal central:** Retire la almohadilla de caucho en la cavidad poco profunda por encima del panel del radio/control del clima y luego retire los (2) tornillos de 9/32" expuestos. (Figura B)
- 3.** Desenganche y quite el panel por encima del panel del radio/control del clima, y luego quite los (2) tornillos de 9/32" de la parte superior del panel del radio/control del clima. (Figura C)



(Figura A)



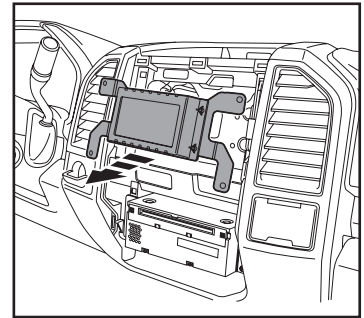
(Figura B)



(Figura C)

Asegúrese de que el vehículo esté completamente apagado antes de pasar a los siguientes (5) pasos

- 4.** Desenganche, desconecte y quite todo el panel del radio/control del clima.
- 5.** Quite los tornillos de 9/32" que sujetan la pantalla; cantidad. (4) para los modelos de pantalla de 4.2 pulgadas, cantidad. (6) para los modelos de pantalla de 8 pulgadas, luego desconecte y quite. (Figura D)

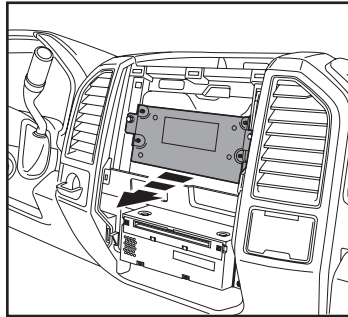


(Figura D)

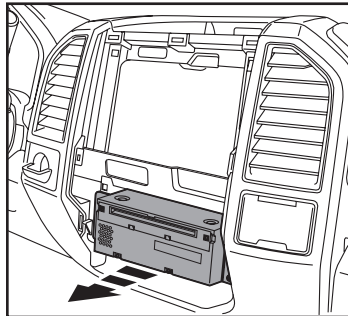
Continúa en la siguiente página

DESMONTAJE DEL TABLERO

6. Para los modelos con una pantalla de 4.2 pulgadas y SYNC®: Quite los (2) tornillos de 9/32" que sujetan el módulo SYNC®, luego desconecte y quite. (Figura F)
7. Quite los (4) tornillos de 9/32" que sujetan el chasis del radio, luego desconecte y quite. (Figura G)



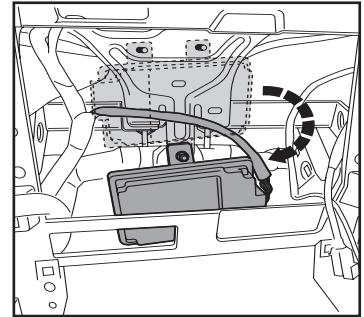
(Figura F)



(Figura G)

8. Para los modelos equipados con cámara de reversa de fábrica: Quite las (10) tuercas de 10 mm que sujetan el módulo de la cámara, mueva el módulo hacia el espárrago inferior y luego vuelva a sujetar con solo (1) tuerca de 10 mm. (Figura H)

Continuar la Preparación del Kit

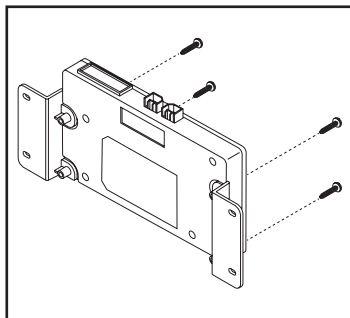


(Figura H)

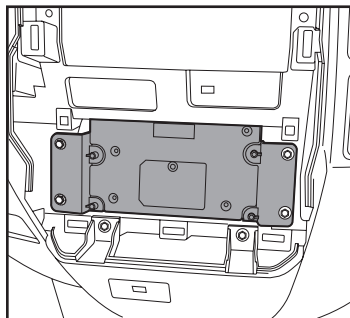
PREPARACIÓN DEL KIT

Para los modelos de pantalla de 4.2 pulgadas únicamente y si se desea retener SYNC®:

1. Quite los (4) tornillos de 9/32" que sujetan los soportes del módulo SYNC®.
2. Sujete los soportes del módulo SYNC® al módulo SYNC® usando los (4) tornillos Phillips #8 x 1/2" de cabeza troncocónica suministrados. (Figura A)
3. Sujete el módulo en el sub tablero inferior con la herramienta de fábrica que quitó en el paso 7 del desensamble del tablero. (Figura B)



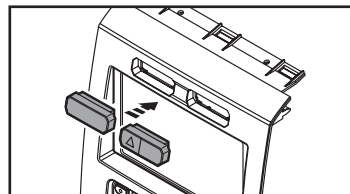
(Figura A)



(Figura B)

Del panel del radio/control del clima de fábrica:

1. Desenganche y retire el interruptor de las luces intermitentes y botones del control de tracción.

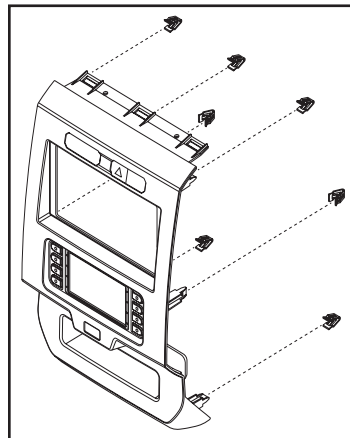


(Figura C)

Al panel de la moldura del radio 99-5834CH:

1. Coloque el interruptor de las luces intermitentes y botones del control de tracción. (Figura C)
2. Conecte los (7) ganchos para panel suministrados. (Figura D)

Continúe con el Ensamble del Kit

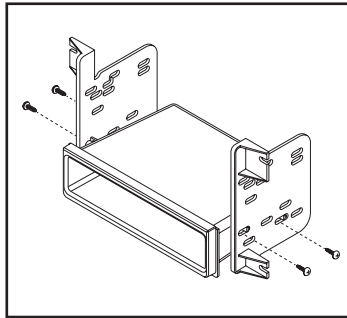


(Figura D)

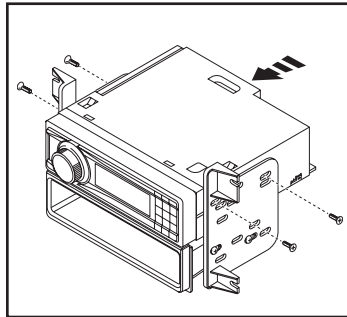
ENSAMBLE DEL KIT

Provisión de radio ISO DIN con cavidad

1. Sujete la *cavidad* a los *soportes del radio* usando los (4) tornillos Phillips #8 de 3/8" de cabeza segmentada. (Figura A)
2. Quite la manga de metal DIN y el anillo de moldura del radio de mercado secundario.
3. Deslice el radio en el ensamble terminado y luego sujételo al ensamble con los tornillos suministrados con el radio. (Figura B)



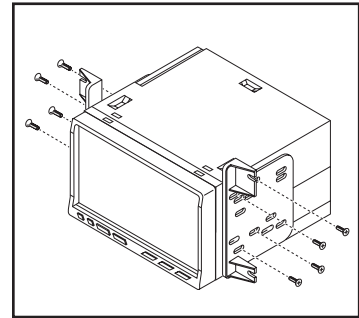
(Figura A)



(Figura B)

Provisión de radio ISO DDIN

1. Una los *soportes al radio* usando los tornillos que vienen con el radio. (Figura A)



(Figura A)

INSTALACIÓN DE LA INTERFASE AXCESS

CARACTERÍSTICAS DE LA INTERFAZ

- Provee corriente de accesorios (12 voltios 10 amperes)
- Retiene R.A.P. (corriente de accesorio retenida)
- Proporciona salidas de NAV (freno de mano, reversa, sensor de velocidad)
- Retiene los controles de audio en el volante
- Retiene SYNC® (modelos de pantalla de 4.2 pulgadas únicamente)
- Retiene la cámara de reversa de fábrica
- Puede usarse en modelos amplificados y no amplificados (incluso SONY)
- Retiene el balance y la intensidad
- Actualizable a micro-B USB

COMPONENTES DE LA INTERFAZ

- Interfaz Axxess (integrada a la pantalla táctil)
- Arnés 5834
- Interfaz HVAC
- Arnés de la interfaz HVAC
- Arnés de 4 pins planos a 4 pins apilados
- Arnés de 16 pins con conectores pelados
- Arnés de cámara de reversa de 54 pins
- Arnés de cámara de reversa de 12 pins
- Arnés de 4 pins con conectores RCA amarillos
- Conector hembra de 3.5 mm con conectores pelados

INDICE

Conexiones

| | |
|---|-------|
| Para modelos <i>sin</i> amplificador Sony | 7 |
| Para modelos <i>con</i> amplificador Sony | 8 |
| Retención de control del volante jack de 3.5mm..... | 9 |
| Arnés de cámara de reversa | 9 |
| Instalación | 10 |
| Programación..... | 11 |
| Características adicionales (SYNC)..... | 11 |
| Operación de la pantalla táctil..... | 12-13 |
| Configuración de control en volante..... | 14-15 |
| Resolución de problemas..... | 16 |

HERRAMIENTAS REQUERIDAS

- Herramienta de ponchadora y conectores, o pistola de soldadura, soldadura y termocontracción
- Cinta • Cortacables • Zip lazos

¡Atención! Esta interfase funcionará con modelos que cuenten con amplificador de Sony o que no estén amplificados. Siga las instrucciones cuidadosamente para su modelo de vehículo. Ignorar las instrucciones ocasionará que no haya sonido o que el sonido sea bajo. Si no sabe con seguridad si su vehículo está amplificado de fábrica o no, comuníquese con su concesionario local.

Para modelos *sin* amplificador Sony:

Del arnés de 16 pins con conectores pelados al radio de mercado secundario:

- Conecte el cable **rojo** al cable de accesorios.
- Si está equipado con un subwoofer de fábrica, conecte el cable **azul/blanco** al cable de encendido del amplificador.
- Si el radio de mercado secundario tiene cable de iluminación, conecte a él el cable **anaranjado/blanco**.
- Si el radio de mercado secundario tiene cable de silencio y el vehículo está equipado con SYNC®, conecte a él el cable **marrón**. Si el cable de silencio no está conectado, el radio se apagará cuando se active SYNC®.
- Conecte el cable **gris** con la salida positiva de la bocina derecha delantera.
- Conecte el cable **gris/negro** con la salida negativa de la bocina derecha delantera.
- Conecte el cable **blanco** a la salida positiva de la bocina izquierda delantera.
- Conecte el cable **blanco/negro** a la salida negativa de la bocina izquierda delantera.
- Coloque cinta e ignore los siguientes (4) cables; no se utilizarán en esta aplicación.
Verde, verde/negro, púrpura, púrpura/negro

Los siguientes (3) cables son únicamente para radios con multimedia/navegación que requieren estos cables.

- Conecte el cable **azul/rosado** al cable VSS/de detección de velocidad.
- Conecte el cable **verde/púrpura** al cable de reversa.
- Conecte el cable **verde claro** al cable de freno de mano.

Desde el arnés 5834 al radio de mercado secundario:

- Conecte el cable **negro** al cable de tierra.
- Conecte el cable **amarillo** al cable de la batería.
- Conecte el cable **verde** con la salida positiva de la bocina izquierda trasera.
- Conecte el cable **verde/negro** con la salida negativa de la bocina izquierda trasera.
- Conecte el cable **púrpura** con la salida positiva de la bocina derecha trasera.
- Conecte el cable **púrpura/negro** a la salida negativa de la bocina derecha trasera.
- Coloque cinta e ignore el siguiente (1) cable; no se utilizará en esta aplicación. **Azul**
- **Para los modelos con una pantalla de 4.2 pulgadas y SYNC®:** Conecte los conectores RCA **rojo** y **blanco** rotulados "RSE/SYNC/SAT" a los conectores de audio AUX-IN del radio de mercado secundario.
- **Para modelos equipados sin SYNC®:** Conecte los conectores RCA **rojo** y **blanco** rotulados "FROM 3.5" a los conectores de audio AUX-IN del radio de mercado secundario.

Continúe a la retención del control en volante con conector de 3.5 mm

Para modelos con amplificador Sony:

Del arnés de 16 pins con conectores pelados al radio de mercado secundario:

- Conecte el cable **rojo** al cable de accesorios.
- Si está equipado con un subwoofer de fábrica, conecte el cable **azul/blanco** al cable de encendido del amplificador.
- Si el radio de mercado secundario tiene cable de iluminación, conecte a él el cable **anaranjado/blanco**.
- Conecte el cable **gris** con la salida positiva de la bocina derecha delantera.
- Conecte el cable **gris/negro** con la salida negativa de la bocina derecha delantera.
- Conecte el cable **blanco** a la salida positiva de la bocina izquierda delantera.
- Conecte el cable **blanco/negro** a la salida negativa de la bocina izquierda delantera.
- Conecte el cable **verde** con la salida positiva de la bocina izquierda trasera.
- Conecte el cable **verde/negro** con la salida negativa de la bocina izquierda trasera.
- Conecte el cable **púrpura** con la salida positiva de la bocina derecha trasera.
- Conecte el cable **púrpura/negro** a la salida negativa de la bocina derecha trasera.
- Coloque cinta e ignore el siguiente (1) cable; no se utilizará en esta aplicación. **marrón**

Los siguientes (3) cables son únicamente para radios con multimedia/navegación que requieren estos cables.

- Conecte el cable **azul/rosado** al cable VSS/de detección de velocidad.
- Conecte el cable **verde/púrpura** al cable de reversa.
- Conecte el cable **verde claro** al cable de freno de mano.

Desde el arnés 5834 al radio de mercado secundario:

- Conecte el cable **negro** al cable de tierra.
- Conecte el cable **amarillo** al cable de la batería.
- Coloque cinta e ignore los siguientes (5) cables; no se utilizarán en esta aplicación. **azul, verde, verde/negro, púrpura, púrpura/negro**
- Ignore los conectores RCA **rojo y blanco** rotulados "RSE//SYNC®/SAT"; no se utilizarán en esta aplicación.
- Ignore los conectores RCA **rojo y blanco** rotulados "FROM 3.5"; no se utilizarán en esta aplicación.

Continúe a la retención del control en volante con conector de 3.5 mm

Retención de control del volante jack de 3.5mm:

- El conector de 3.5 mm se debe usar para retener los controles de audio en el control del volante.
- **Para los siguientes radios:** Conecte el **conector hembra de 3.5 mm con conectores pelados** en el conector macho SWC de 3.5 mm del **arnés 5834**. Cualquier cable restante debe cubrirse con cinta e ignorarse.
 - **Eclipse:** Conecte el cable del control en el volante, normalmente **marrón**, al cable del conector **marrón/blanco**. Después conecte el cable del control en el volante restante, normalmente **marrón/blanco**, al cable del conector **marrón**.
 - **Equipo original Metra:** Conecte el cable Key 1 (**gris**) del control en el volante al cable **marrón**.
 - **Kenwood o seleccione JVC con un cable de control en el volante:** Conecte el cable **azul/amarillo** al cable **marrón**.

Nota: Si su radio Kenwood se detecta automáticamente como JVC, ajuste manualmente el tipo de radio como Kenwood. Vea las instrucciones a continuación para cambiar el tipo de radio.
 - **XITE:** Conecte el cable SWC-2 del control en el volante del radio al cable **marrón**.
 - **Parrot Asteroid Smart o Tablet:** Conecte el conector de 3.5 mm al AX-SWC-PARROT (se vende por separado), y después conecte el conector de 4 pins del AX-SWC-PARROT al radio.

Nota: El radio debe estar actualizado a la versión de software 2.1.4 o posterior.
 - **Radio universal de “2 o 3 cables”:** Conecte el cable del control en el volante, conocido como Key-A SWC-1, al cable **marrón** del conector. Después conecte el cable restante del control en el volante, conocido como Key-B o SWC-2, al cable **marrón/blanco** del conector. Si el radio llega con un tercer cable para hacer tierra, ignore este cable.

Nota: Después de haber programado la interfaz al vehículo, haga referencia al manual provisto con el radio para asignar los botones SWC. Contacte al fabricante del radio para mayor información.
- **Para todos los demás radios:** Conecte el conector de 3.5 mm dentro del puerto en el radio designado para una interfaz externa de control en el volante. Haga referencia al manual provisto con el radio si tiene duda de dónde va el conector de 3.5 mm.

Desde el arnés de la cámara de respaldo hasta la radio de posventa:

Para modelos con una pantalla de 4.2 pulgadas:

- Use el arnés de la cámara de respaldo de 12 pins.

Para modelos con una pantalla de 8 pulgadas:

- Utilice el arnés de la cámara de respaldo de 54 pins.

Hay dos métodos diferentes para conectar la cámara de respaldo de fábrica.

Si desea conservar la cámara en la radio no original:

- Conecte la toma RCA **amarilla** a la entrada de la cámara de respaldo de la radio no original.

Si desea conservar la cámara en la pantalla táctil es conveniente:

- Conecte la toma RCA **amarilla** a la toma RCA **amarilla** del **arnés de 4 patas con las tomas amarillas RCA** con la etiqueta “Cámara retrovisora”

Nota: Si se elige este método, la opción de la cámara de respaldo debe estar habilitada en la pantalla **Configuración de configuración**.

- Ignore la toma del **arnés de 4 patas con las tomas amarillas RCA** etiquetada como “AUX video”, no se usará en esta aplicación.

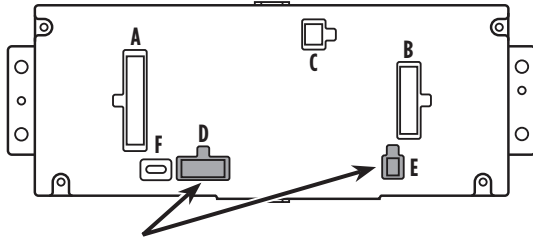
INSTALACIÓN

Se recomienda de gran manera que lea antes los siguientes pasos para asegurar que entienda bien lo que se espera. Los siguientes pasos deben seguirse en el orden en que están numerados.

Con el vehículo completamente apagado:

Pantalla táctil

1. Conecte el **arnés de 16 pins con conectores pelados** en el puerto "B" en la pantalla táctil.
2. Conecte el **arnés 5834** a los arneses del cableado en el vehículo. Estos arneses son los que se retiran del paso 7 en el desmontaje del tablero. Después inserte el **arnés 5834** en el puerto "A" en la pantalla táctil. Pero no instale este arnés hasta que llegue justo antes del paso 1 de **Programación**. Este es un proceso programado.
3. Conecte el **arnés de 4 pins con conectores RCA amarillos** en el puerto "C" en la pantalla táctil.
4. Ignore los puertos "D" y "E"; no se utilizarán en esta aplicación.
5. El puerto "F" es un puerto de actualización para actualizaciones de firmware futuras.



Nota: NO CONECTE!

Interfaz HVAC

6. Conecte el **arnés de la interfaz HVAC** en la interfaz HVAC y luego a los arneses de cableado en el vehículo. Estos arneses son los que se retiran del paso 4 en el desmontaje del tablero.

Atención! Ignore el conector de 10 pins del arnés de interfaz HVAC, no se usará en esta aplicación.

7. Conecte el **arnés de 4 pins planos a 4 pins apilados a la interfaz HVAC** y luego al ensamblado de la luz de la bolsa de aire del pasajero.
8. A continuación, conecte el arnés de 6 pins del **arnés 5834** en la interfaz HVAC.
9. **(a) Para los modelos con una pantalla de 4.2 pulgadas:** Conecte el **arnés de la cámara de reversa de 12 pins** al arnés del cableado en el vehículo. Este arnés es el que se retira del paso 5 en el desmontaje del tablero.

(b) Para los modelos con una pantalla de 8 pulgadas: Conecte el conector hembra del **arnés de la cámara de reversa de 54 pins** al arnés del cableado en el vehículo. Este conector se localiza detrás de la pantalla de fábrica que se retiró en el paso 5 en el desmontaje del tablero.

Nota: Ignore el conector macho; no se utilizará en esta aplicación.

10. Localice el conector de la antena de fábrica en el tablero y realice todas las conexiones necesarias al radio. Metra recomienda el uso de un adaptador adecuado de acoplamiento de Metra.

PROGRAMACIÓN

1. Haga referencia al paso 2 de **Instalación**.
2. Oprima el botón para encender el vehículo.
3. Programar el kit:
 - a. Tan pronto como se cargue la pantalla, seleccione el tipo de vehículo.
 - b. Espere a que se encienda el radio y la pantalla táctil muestre **SWC Configured***. Este proceso puede requerir hasta 3 minutos.

Nota: Si la pantalla táctil no se carga o el radio no se enciende en los siguientes 3 minutos, y/o la pantalla táctil no muestra **SWC Configured***, apague el vehículo y desconecte los arneses 5834 del puerto "A" en la pantalla táctil. Revise todas las conexiones, vuelva a conectar el arnés a la pantalla táctil e inténtelo de nuevo.

* Para modelos con controles en el volante.
4. Apague la llave y vuelva a encenderla. Si la puerta del conductor está cerrada, abra y cierre la puerta. Ciclo de la llave de nuevo en.
5. Pruebe todas las funciones de la instalación para verificar la operación correcta antes de volver a ensamblar el tablero.

MONTAJE FINAL

1. Sujete el ensamblaje terminado en el tablero superior con la herramienta de fábrica que quitó en el paso 5 del **Desmontaje del Tablero**.
2. Coloque a presión el *panel de la moldura del radio con la pantalla táctil* sobre el ensamblaje completo y luego vuelva a armar el tablero al revés de cómo lo desmontaje para completar la instalación.

CARACTERÍSTICAS ADICIONALES

SYNC (modelos de pantalla de visualización de 4.2 pulgadas solamente):

Si el vehículo está equipado con SYNC, el 99-5834CH puede conservar esta función.

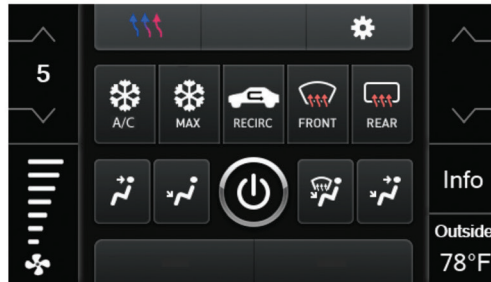
1. Cambie la fuente del radio a AUX-IN.
2. Oprima el botón **Info** en la pantalla táctil para ingresar al menú SYNC.
3. Oprima el botón HVAC para regresar al Menú principal.

OPERACIÓN DE LA PANTALLA TÁCTIL

Climate Control screen



Auto Climate Control Screen



Manual Climate Control Screen

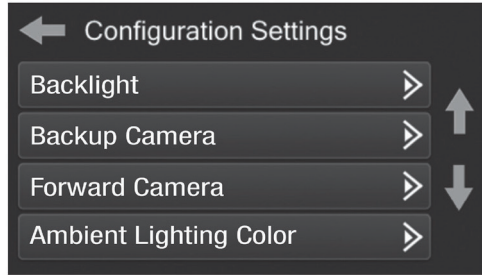
- Esta es la pantalla de control HVAC que se mostrará en la pantalla táctil. Esto se considera como la **Pantalla Principal**.
- La pestaña superior izquierda con (3) flechas lo llevará a la pantalla donde ahora se encuentran los **asientos con calefacción/enfriamiento** y la dirección con calefacción, si corresponde.
- La pestaña superior derecha con el ícono de engrane lo llevará a la **pantalla de Configuraciones**.
- **Modelos automáticos de clima:** Los controles del clima funcionarán del mismo modo que con los controles del clima de fábrica.
- **Modelos manuales de clima:** Los controles del clima funcionarán del mismo modo que con los controles del clima de fábrica, solo que con botones en la pantalla táctil. El control de temperatura mostrará una escala numérica, siendo “LO” en más frío y “HI” el más caliente: LO / 1-9 / HI

Nota: El botón “Info” solo se mostrará si debe retenerse SYNC.

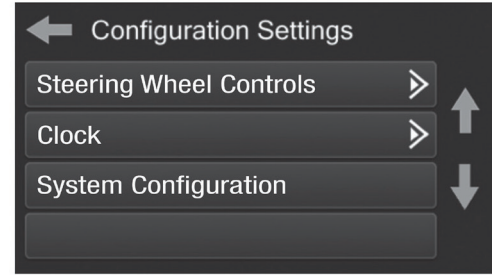
Continúa en la siguiente página

OPERACIÓN DE LA PANTALLA TÁCTIL (CONT.)

Ajustes de Configuración



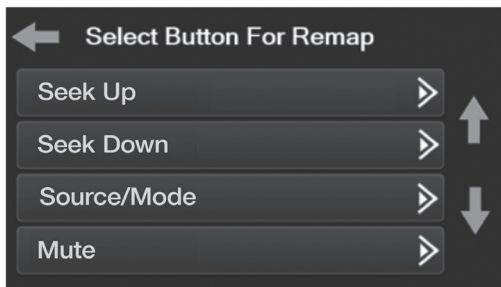
- **Backlight**
 - Para controlar el color de los botones y la intensidad de la luz de fondo.
- **Backup Camera**
 - Activa / desactiva la imagen de la cámara de respaldo en la pantalla táctil. Deshabilitado por defecto.
- **Forward Camera**
 - Para dirigir dónde se mostrará la imagen de la cámara, o para desactivar la cámara
- **Ambient Lighting Color**
 - Para ajustar el color de la luz ambiental en el vehículo



- **Steering Wheel Controls**
 - Botones de reubicación: para reubicar los botones del control en el volante
 - Doble asignación: para doble asignación de los botones de control en el volante (presionar el botón por largo tiempo)
 - Seleccionar radio: para detectar automáticamente el radio o cambiar el tipo de radio
- **Clock**
 - Para configurar el modo reloj y hora
- **System Configuration**
 - Acerca de - Información sobre el software en el kit
 - Unidad de temperatura - Para cambiar entre Celsius y Fahrenheit
 - Ganancia de amplificación digital - Para ajustar la ganancia de salida al amplificador
 - Restablecer el tipo de vehículo - Para restablecer el kit a la configuración predeterminada

CONFIGURACIÓN DE CONTROL EN VOLANTE

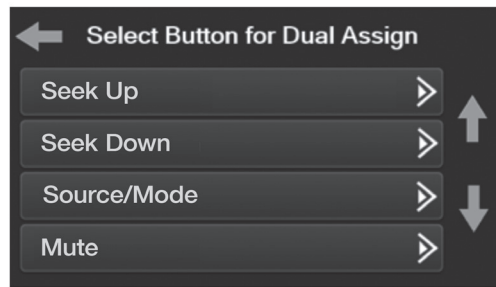
Reubicar el botón



- La interfaz tiene la capacidad de cambiar la asignación de botón para los botones de audio del control en el volante, excepto para Subir volumen y Bajar volumen. Siga las indicaciones en la pantalla táctil para reubicar el(los) botón(es) de audio del control en el volante a su gusto.

Nota: El radio de mercado secundario puede no tener todos estos comandos. Consulte el manual del suministrado con el radio o comuníquese con el fabricante del radio para obtener los comandos específicos reconocidos por ese radio en particular.

Dual Assign



- La interfaz tiene la capacidad de asignar dos funciones a un solo botón, excepto Subir volumen y Bajar volumen. Siga las indicaciones en la pantalla táctil para programar el(los) botón(es) a su gusto.

Nota: Buscar anterior y Buscar siguiente vienen programados como Subir preestablecido y Bajar preestablecido cuando se presiona el botón por largo tiempo.

Continúa en la siguiente página

CONFIGURACIÓN DE CONTROL EN VOLANTE (CONT.)

Seleccionar del radio



- Para mostrar qué marca de radio se “detecta automáticamente” a la interfaz, oprima el botón “Autodetect”. El radio detectado tendrá un círculo relleno. Si se muestra el radio incorrecto, seleccione el radio correcto.
- Después se ve una lista de fabricantes de radio que la interfaz reconoce en ese momento. Otros pueden agregarse en una fecha posterior. Los radios universales de “2 o 3 cables” pueden mostrarse como cualquiera de estos fabricantes de radio.

| | | | |
|--------------------|----------------|--------------------|-----------|
| Eclipse (Tipo 1) † | Pioneer/Jensen | Clarion (Tipo 2) † | Parrot ** |
| Kenwood ‡ | Alpine * | Metra OE | XITE |
| Clarion (Tipo 1) † | Visteon | Eclipse (Tipo 2) † | Philips |
| Sony / Dual | Valor | LG | JBL |
| JVC | | | |

* **Nota:** Si la interfaz muestra un radio Alpine y no tiene un radio Alpine, eso significa que la interfaz no detecta un radio conectado a él; es decir, una conexión abierta. Verifique que el conector de 3.5 mm esté conectado al conector/cable correcto del volante en el radio.

** **Nota:** Se requiere el AX-SWC-PARROT (se vende por separado). Además, el radio Parrot debe estar actualizado a la versión de software 2.1.4 o posterior mediante www.parrot.com.

† **Nota:** Si tiene un radio Clarion y los controles en el volante no funcionan, cambie el tipo de radio al otro tipo de radio Clarion; haga lo mismo con Eclipse.

‡ **Nota:** Si tiene un radio Kenwood y la pantalla táctil muestra un radio JVC, cambie el tipo de radio a Kenwood.

RESOLUCIÓN DE PROBLEMAS

Resolución de problemas

1. Con el vehículo en funcionamiento, presione el botón **Restablecer tipo de vehículo** mencionado en **Configuración del sistema**.
2. Consulte **Programación**, paso 3, desde este punto.



RESOLUCIÓN DE PROBLEMAS

Restablecimiento de la interfaz

Opción 1

1. Con todo conectado y el coche en marcha.
2. Mantenga presionados los botones inferiores (2) durante 3 segundos y luego suéltelos. (Figura A) (La pantalla se volverá negra y luego lo pondrá en la pantalla de selección de vehículo)
3. Seleccione su vehículo y espere hasta que aparezca "SWC configurado" en la pantalla.
4. Apague el encendido y encienda el vehículo, luego pruebe su interfaz.



(Figura A)

Opción 2

1. Con el vehículo en marcha, presione el botón **Reset Vehicle Type** mencionado en **System Configuration**.
2. Consulte **Programación**, paso 3, desde este punto.

¿Tienes dificultades? Estamos aquí para ayudar.



Póngase en contacto con nuestra línea de soporte técnico en:
386-257-1187



O por correo electrónico a:
techsupport@metra-autosound.com

Horas de soporte técnico (hora estándar del este)

Monday - Friday: 9:00 AM - 7:00 PM
Saturday: 10:00 AM - 7:00 PM
Sunday: 10:00 AM - 4:00 PM



KNOWLEDGE IS POWER
Enhance your installation and fabrication skills by enrolling in the most recognized and respected mobile electronics school in our industry. Log onto www.installerinstitute.edu or call 386-672-5771 for more information and take steps toward a better tomorrow.



Metra recomienda MECP
técnicos certificados