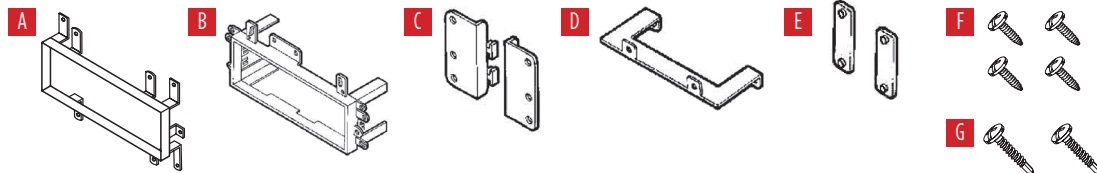


KIT FEATURES Section 1

- DIN radio provision
- ISO DIN radio provision (*select vehicles*)

KIT COMPONENTS Section 1

- A) Radio housing #1 • B) Radio housing #2 • C) Brackets Set #1 (*Econoline*) • D) Bracket #2 (*Escort/Lynx*) • E) Spacer Set #1
- F) (4) #8 X 3/4" Phillips Pan-head screws • G) (2) #6 Self tapping screws



99-5700

Ford/Jeep/Lincoln/Mercury/Plymouth

1974-2003

Visit MetraOnline.com for more detailed information about the product and up-to-date vehicle specific applications

APPLICATION OVERVIEW

Section 1: 99-5700

AW-509FD
CF-509FD
Ford/Jeep/Lincoln/Mercury

Section 2: 99-6700

Chrysler/Dodge/Eagle
Ford/Jeep/Lincoln
Mercury/Plymouth

TABLE OF CONTENTS

Section 1

Applications.....	2
Dash Disassembly.....	3-11
Kit Assembly.....	12
Final Assembly.....	13

Section 2

Applications.....	14-15
Dash Disassembly.....	16-29
Kit Assembly.....	29
Final Assembly.....	30

TOOLS REQUIRED

Refer to each section title page

Attention: With the key out of the ignition, disconnect the negative battery terminal before installing this product. Ensure that all installation connections are secure before cycling the ignition to test this product.

APPLICATIONS

Ford

Aerostar	1985-1991
Bronco (full)	1987-1991
Bronco	1980-1986
Bronco II	1985-1988
Crown Victoria	1979-1990
Econoline	1975-1991
Escort	1985-1990
F-Series Pickup	1987-1991
F-Series Pickup	1980-1986
Festiva	1988-1993
LTD	1979-1990
Ranger (mini)	1985-1988
Taurus	1986-1989
Tempo	1985-1988
Thunderbird	1985-1988

Jeep

Cherokee	1984-1996
Grand Cherokee	1993-1998
Commanche	1986-1992
Grand Wagoneer	1987-1992
Wrangler	1984-2002

Lincoln

Continental	1985-1994
Mark VII	1984-1992
Town Car	1984-1994

Mercury

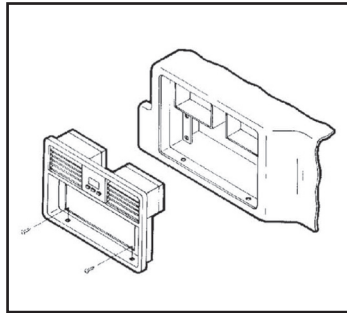
Cougar	1983-1997
Grand Marquis	1979-1994
Lynx	1985-1987
Marquis	1979-1981
Sable	1986-1995
Topaz	1985-1994
Tracer (hatch)	1988-1999

DASH DISASSEMBLY

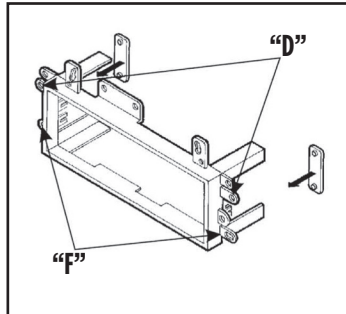
Ford Aerostar 1985-1991

1. Remove (2) Phillips screws from the base of the dash trim bezel. (Figure A)
2. Pry down on the (2) tabs located at the top of the dash trim bezel and remove the bezel.
3. Remove (4) screws securing the factory radio, then unplug and remove the radio.
4. Cut and remove all mounting tabs on **radio housing #2** EXCEPT tabs "D" and "F". (Figure B)
5. Locate **Spacer Set #1** (the spacers must be placed behind the mounting tabs during installation).

Continue to Kit Assembly



(Figure A)



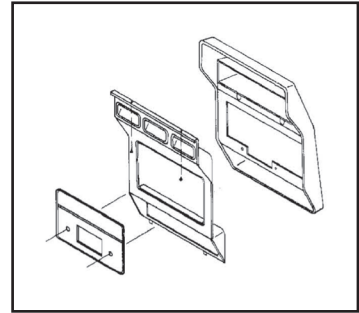
(Figure B)

The mounting tabs can be identified by the stamped letter on the back of each tab.

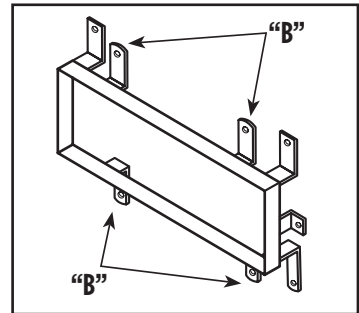
Ford Bronco/Pickup 1980-1986

1. Remove (2) screws from the top edge of the dash trim bezel. (Figure A)
2. Pull out from the top of the bezel, unhook the base and remove the bezel. If a factory radio is NOT present, scribe the (4) mounting holes and radio opening onto the bezel.
3. Drill the holes, cut the opening and place (4) U-clips over the mounting positions.
4. Cut and remove all mounting tabs on **radio housing #1** EXCEPT tab "B". (Figure B)

Continue to Kit Assembly



(Figure A)



(Figure B)

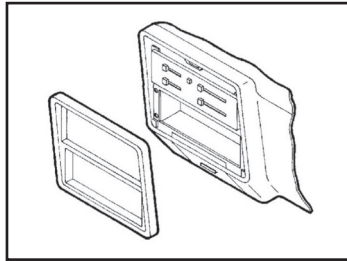
The mounting tabs can be identified by the stamped letter on the back of each tab.

DASH DISASSEMBLY

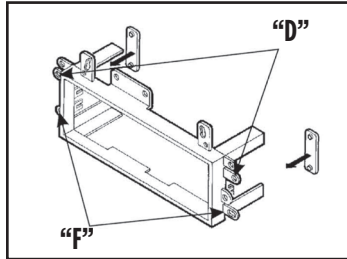
Ford Bronco (full size) F-Series Pickup 1987-1991

1. Carefully pull and remove the dash trim bezel. (Figure A)
2. Remove (4) screws securing the factory radio, then unplug and remove the radio.
3. Cut and remove all mounting tabs on **radio housing #2** EXCEPT tabs "D" and "F". (Figure B)
4. Locate **Spacer Set #1** (the spacers must be placed behind the mounting tabs during installation).

Continue to Kit Assembly



(Figure A)



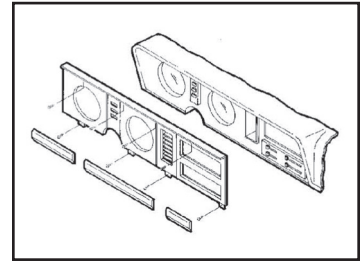
(Figure B)

The mounting tabs can be identified by the stamped letter on the back of each tab.

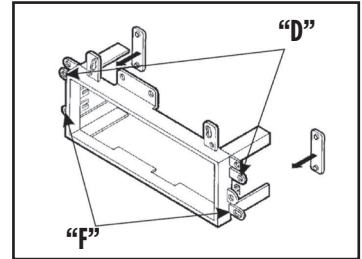
Ford Bronco II/Ranger 1985-1988

1. Remove (4) Phillips screws from the top edge of the dash trim bezel. (Figure A)
2. Remove the light switch knob, cigarette lighter and ashtray.
3. Unsnap the molding located below the dash trim bezel and remove (4) screws exposed.
4. Remove (4) screws securing the factory radio, then unplug and remove the radio.
5. Cut and remove all mounting tabs on **radio housing #2** EXCEPT tabs "D" and "F". (Figure B)
6. Locate **Spacer Set #1** (the spacers must be placed behind the mounting tabs during installation).

Continue to Kit Assembly



(Figure A)



(Figure B)

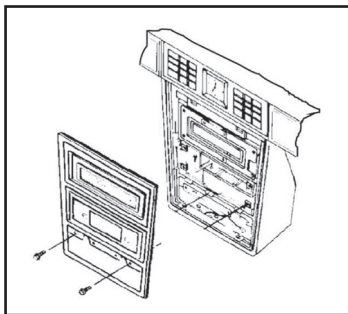
The mounting tabs can be identified by the stamped letter on the back of each tab.

DASH DISASSEMBLY

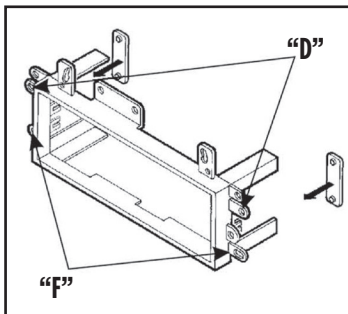
Ford Crown Victoria/LTD, Mercury Grand Marquis/Marquis 1979-1990

1. Open the ashtray and remove (2) Phillips screws securing the dash trim bezel. (Figure A)
2. Remove (4) screws securing the factory radio, then unplug and remove the radio.
3. Cut and remove all mounting tabs on **radio housing #2** EXCEPT tabs "D" and "F". (Figure B)
4. Locate **Spacer Set #1** (the spacers must be placed behind the mounting tabs during installation)

Continue to Kit Assembly



(Figure A)



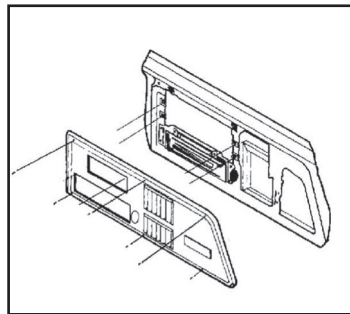
(Figure B)

The mounting tabs can be identified by the stamped letter on the back of each tab.

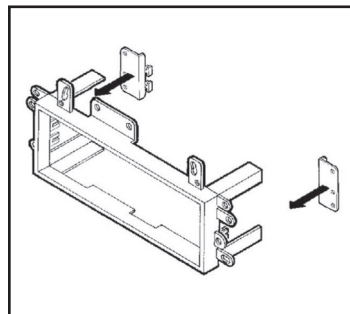
Ford Econoline 1975-1991

1. Remove (3) screws from the lower edge of the dash trim bezel. (Figure A)
2. Remove (2) screws above the radio opening. Unsnap the right corner of the dash trim bezel, disconnect the cigarette lighter wiring and remove the bezel. (Figure A)
3. Remove the screws securing the factory radio, then unplug and remove the radio.
4. Cut and remove all mounting tabs on **radio housing #2**. Slide **Bracket Set #1** into the slots on the sides of the housing. (Figure B)

Continue to Kit Assembly



(Figure A)



(Figure B)

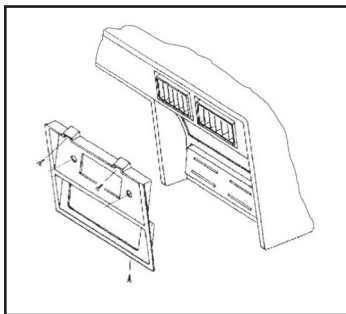
The mounting tabs can be identified by the stamped letter on the back of each tab.

DASH DISASSEMBLY

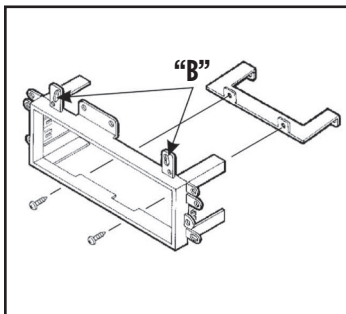
Ford Escort/Mercury Lynx 1985-1990

1. Remove (4) screws from the top edge of the dash trim bezel. (Figure A)
2. Remove (2) screws from the bottom edge of the dash trim bezel. (Figure A)
3. Pull out the climate control knobs and unsnap the bezel.
4. Remove (4) hex-head screws securing the factory radio, then unplug and remove the radio.
5. Cut and remove all mounting tabs on **radio housing #2** EXCEPT tab "B". (Figure B)
6. Attach **Bracket #2** to the bottom of the housing with (2) #8 x 3/4" Phillips screws supplied.

Continue to Kit Assembly



(Figure A)



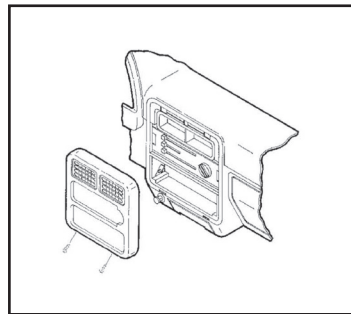
(Figure B)

The mounting tabs can be identified by the stamped letter on the back of each tab.

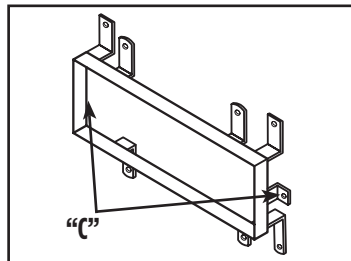
Ford Festiva 1988-1993

1. Remove (4) Phillips screws from the bottom of the dash trim bezel. (Figure A)
2. Unclip the bezel. Remove (2) screws securing the factory radio, then unplug and remove the radio. (Figure A)
3. Cut and remove all mounting tabs on **radio housing #1** EXCEPT tab "C". (Figure B)

Continue to Kit Assembly



(Figure A)



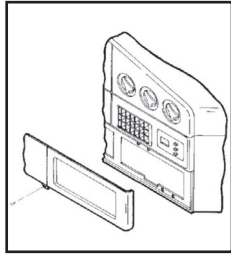
(Figure B)

The mounting tabs can be identified by the stamped letter on the back of each tab.

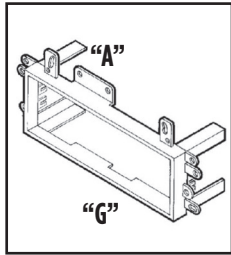
DASH DISASSEMBLY

Ford Taurus/Mercury Sable 1986-1989

1. Remove (1) 7mm hex-head screw from the bottom of the radio trim bezel. Gently unclip the bezel and disconnect the antenna switch power lead. (Figure A)
2. Remove (4) screws securing the factory radio, then unplug and remove the radio.
3. Cut and remove all mounting tabs on **radio housing #2** EXCEPT tabs "A" and "G". (Figure B)



(Figure A)



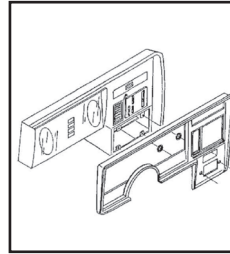
(Figure B)

The mounting tabs can be identified by the stamped letter on the back of each tab.

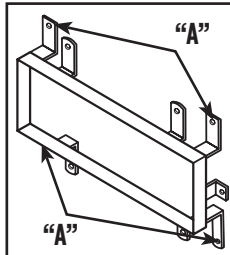
Continue to Kit Assembly

Ford Tempo/Mercury Topaz 1985-1988

1. Remove the ashtray by disengaging the release tab at the rear of the ashtray bracket.
2. Remove (2) screws from the lower edge of the dash trim bezel. Unclip the top edge of the bezel and remove. (Figure A)
3. Remove (4) screws securing the factory radio, then unplug and remove the radio.
4. Cut and remove all mounting tabs on **radio housing #1** EXCEPT tab "A". (Figure B)



(Figure A)



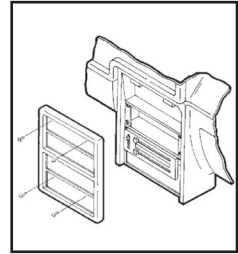
(Figure B)

The mounting tabs can be identified by the stamped letter on the back of each tab.

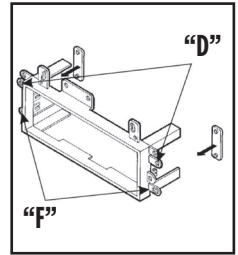
Continue to Kit Assembly

Ford Thunderbird/Mercury Cougar 1985-1988

1. Remove (2) screws from the top of the dash trim bezel. (Figure A)
2. Open the ashtray and remove (2) screws from the ashtray cavity.
3. Remove (4) screws securing the factory radio and cut and remove all mounting tabs on **radio housing #2** EXCEPT tabs "D" and "F". (Figure B)
4. Locate **Spacer Set #1** (the spacers must be placed behind the mounting tabs during installation).



(Figure A)



(Figure B)

The mounting tabs can be identified by the stamped letter on the back of each tab.

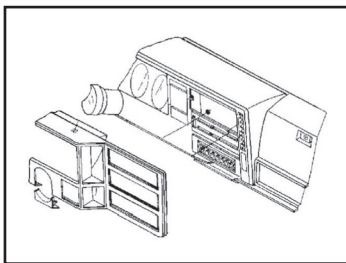
Continue to Kit Assembly

DASH DISASSEMBLY

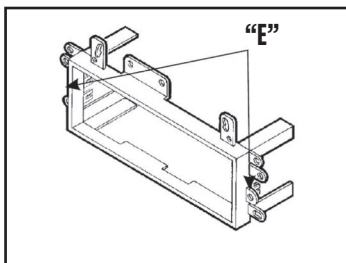
Jeep Cherokee 1984-1995/Comanche 1986-1992/Wagoneer 1984-1996

1. Unsnap the steering column trim panel and remove. (Figure A)
2. Remove (4) screws from the dash trim bezel and unclip the bezel. (Figure A)
3. Remove (2) screws securing the factory radio, then unplug and remove the radio.
4. Cut and remove all mounting tabs on **radio housing #2** EXCEPT tab "E". (Figure B)

Continue to Kit Assembly



(Figure A)



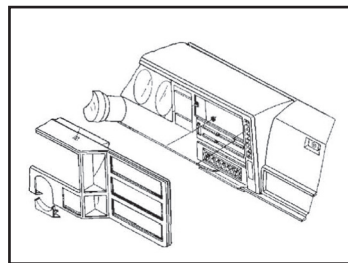
(Figure B)

The mounting tabs can be identified by the stamped letter on the back of each tab.

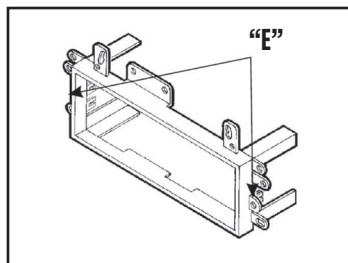
Jeep Cherokee 1996

1. Remove (3) torx-head screws from the steering column trim panels.
2. Unscrew the tilt steering lever and unsnap the trim panels. Remove (4) screws from the dash trim bezel and unclip the bezel. (Figure A)
3. Remove (2) screws securing the factory radio, then unplug and remove the radio.
4. Cut and remove all mounting tabs on **radio housing #2** EXCEPT tab "E". (Figure B)

Continue to Kit Assembly



(Figure A)



(Figure B)

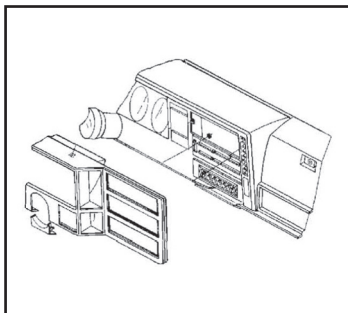
The mounting tabs can be identified by the stamped letter on the back of each tab.

DASH DISASSEMBLY

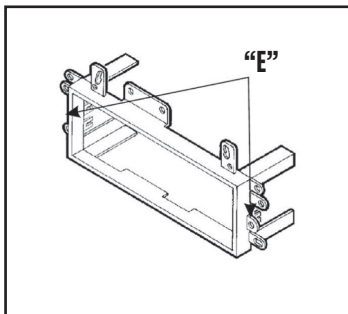
Jeep Grand Wagoneer 1987-1992

1. Gently unclip the dash trim bezel. (Figure A)
2. Remove (2) screws securing the factory radio, then unplug and remove the radio.
3. Cut and remove all mounting tabs on **radio housing #2** EXCEPT tab "E". (Figure B)

Continue to Kit Assembly



(Figure A)



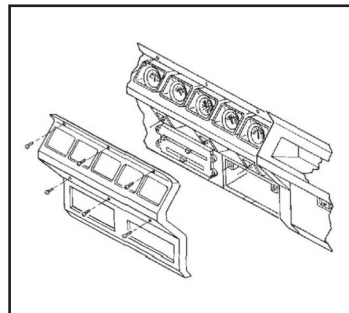
(Figure B)

The mounting tabs can be identified by the stamped letter on the back of each tab.

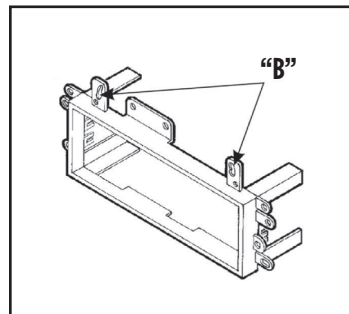
Jeep Wrangler 1986-1996

1. Remove (6) Phillips screws from the face of the dash trim bezel and unclip the bezel. (Figure A)
2. Remove (2) screws securing the factory radio, then unplug and remove the radio.
3. Cut and remove all mounting tabs on **radio housing #2** EXCEPT tab "B". (Figure B)

Continue to Kit Assembly



(Figure A)



(Figure B)

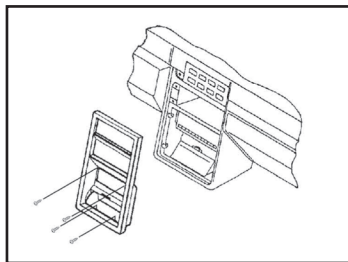
The mounting tabs can be identified by the stamped letter on the back of each tab.

DASH DISASSEMBLY

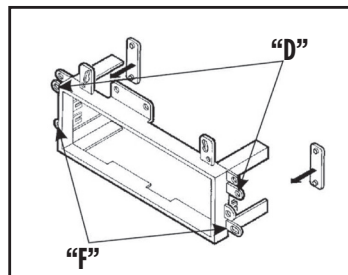
Lincoln Continental 1985-1987

1. Remove (2) #8 Phillips screws below the radio opening. (Figure A)
2. Open the ashtray and remove (2) #8 Phillips screws exposed (it is NOT necessary to remove the center screw). (Figure A)
3. Unclip and remove the dash trim bezel.
4. Remove (4) hex-head screws securing the factory radio, then unplug and remove the radio.
5. Cut and remove all mounting tabs on **radio housing #2** EXCEPT tabs "D" and "F". (Figure B)
6. Locate **Spacer Set #1** (the spacers must be placed behind the mounting tabs during installation).

Continue to Kit Assembly



(Figure A)



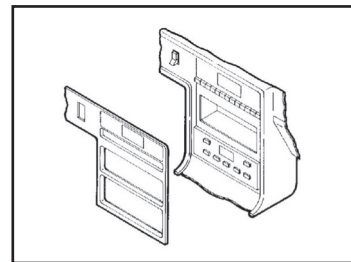
(Figure B)

The mounting tabs can be identified by the stamped letter on the back of each tab.

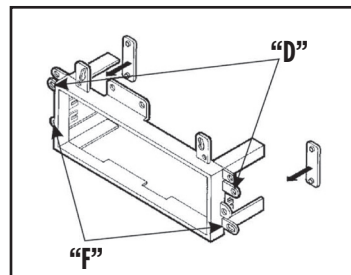
Lincoln Mark VII 1984-1989

1. Gently pry out on the dash trim bezel and remove. (Figure A)
2. Remove (4) 5mm hex-head sheet metal screws securing the factory radio, then unplug and remove the radio.
3. Cut and remove all mounting tabs on **radio housing #2** EXCEPT tabs "D" and "F". (Figure B)
4. Locate **Spacer Set #1** (the Spacers must be placed behind the mounting tabs during installation).

Continue to Kit Assembly



(Figure A)



(Figure B)

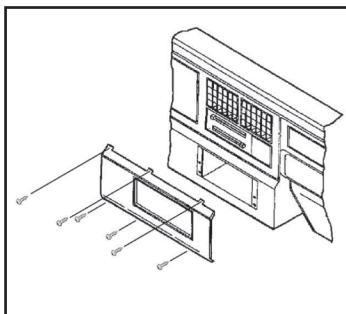
The mounting tabs can be identified by the stamped letter on the back of each tab.

DASH DISASSEMBLY

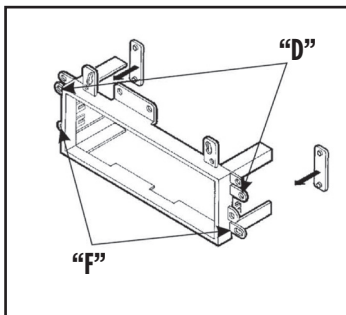
Lincoln Town Car 1984-1989

1. Remove (3) #8 Phillips screws from the bottom of the radio trim bezel. (Figure A)
2. Unsnap the plastic strip located above the bezel and remove (3) Phillips screws exposed. (Figure A)
3. Gently pull the instrument cluster trim bezel away from the dash and remove the radio trim bezel.
4. Remove (3) hex-head screws securing the factory radio, then unplug and remove the radio.
5. Cut and remove all mounting tabs on **radio housing #2** EXCEPT tabs "D" and "F". (Figure B)
6. Locate **Spacer Set #1** (the spacers must be placed behind the mounting tabs during installation).

Continue to Kit Assembly



(Figure A)



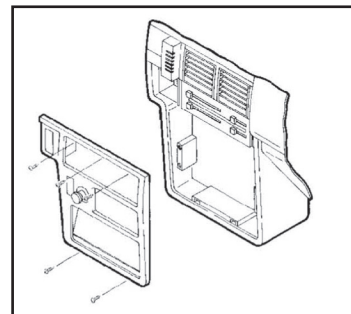
(Figure B)

The mounting tabs can be identified by the stamped letter on the back of each tab.

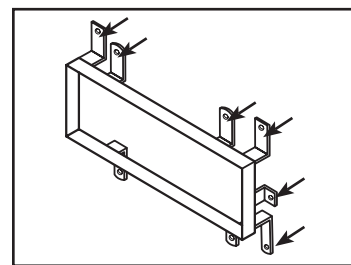
Mercury Tracer (hatchback) 1989-1990

1. Remove (3) Phillips screws from the top of the dash trim bezel. (Figure A)
2. Remove the ashtray and (2) Phillips screws from the bottom of the bezel. (Figure A)
3. Remove (4) Phillips screws securing the factory radio, then unplug and remove the radio.
4. Cut and remove all the mounting brackets from **radio housing #1**. (Figure B)

Continue to Kit Assembly



(Figure A)



(Figure B)

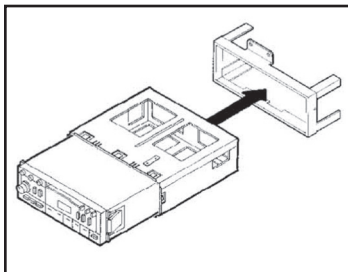
The mounting tabs can be identified by the stamped letter on the back of each tab.

KIT ASSEMBLY

Aerostar 1985-1991
Bronco 1987-1991
Bronco II 1985-1988
Crown Victoria 1979-1990
Econoline 1975-1991
Escort 1985-1990
F-Series Pickup 1987-1991
LTD 1979-1984
Ranger 1985-1988
Taurus 1986-1989

Thunderbird 1985-1988
Continental 1985-1987
Mark VII 1984-1989
Town Car 1984-1989
Cougar 1985-88
Grand Marquis 1979-1990
Lynx 1985-1990
Marquis 1979-1990
Sable 1986-1989
Tracer (hatchback) 1988-1990
All Jeeps

1. Slide the DIN cage into **radio housing #2** and secure by bending the metal locking tabs down. (Figure A)
2. Slide the aftermarket radio into the carriage until it clicks into place. (Figure A)

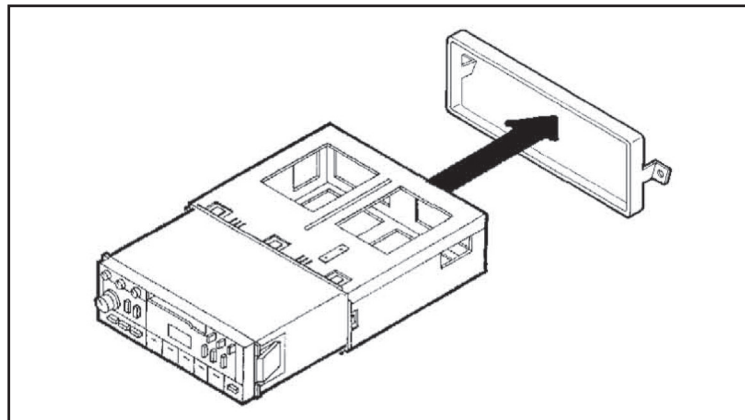


(Figure A)

Bronco 1980-1986
F-Series Pickup 1980-1986
Festiva 1988-1993

Tempo 1985-1988
Topaz 1985-1988

1. Slide the DIN cage into the housing and secure by bending the metal locking tabs down. (Figure A)
2. Slide the aftermarket radio into the carriage until secure. (Figure A)

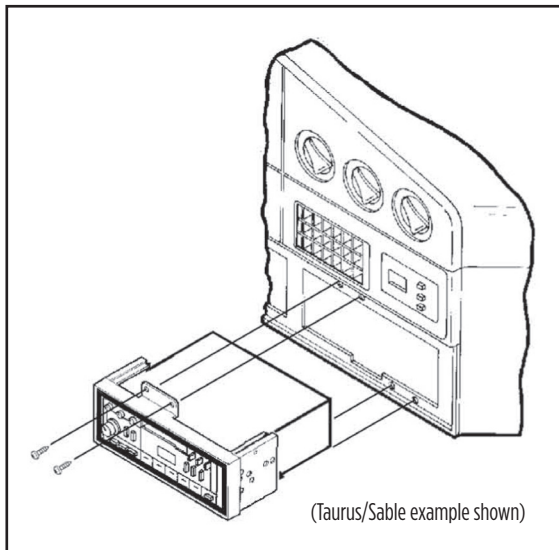


(Figure A)

FINAL ASSEMBLY

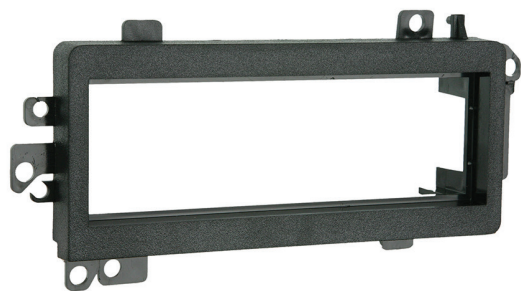
All Vehicles

1. Locate the factory wiring harness in the dash. Metra recommends using the proper mating adapter from Metra or AXCESS.
2. Reconnect the negative battery terminal and test the radio for proper operation.
3. Reassemble dash in reverse order of disassembly. (Figure A)



(Figure A)

SECTION 2: 99-6700



99-6700

Chrysler/Eagle/Ford/Jeep/Lincoln/
Mercury/Plymouth

1974-2003

Visit MetraOnline.com for more detailed information about the product and up-to-date vehicle specific applications

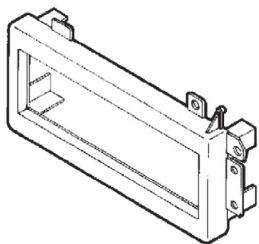
KIT FEATURES Section 2

- DIN radio provision

KIT COMPONENTS Section 2

- A) Radio housing
- B) Support Spacers (Avenger/Sebring) support spacers come attached to the radio housing and should be cut and removed before proceeding.

A



B

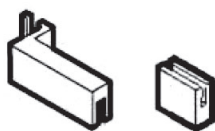


TABLE OF CONTENTS

Section 2.....	14
Applications.....	15
Dash Disassembly.....	16-29
Kit Assembly.....	29
Final Assembly.....	30

TOOLS REQUIRED

- Phillips screwdriver • Cutting tool
- Socket wrench

Attention: With the key out of the ignition, disconnect the negative battery terminal before installing this product. Ensure that all installation connections are secure before cycling the ignition to test this product.

APPLICATIONS

Chrysler

Cirrus.....	1995-2000
Concorde.....	1993-1997
Cordoba.....	1975-1978
Cordoba.....	1979-1983
E-Class.....	1983-1984
Fifth Avenue.....	1990-1994
Imperial.....	1982-1983
Imperial.....	1990-1994
Laser.....	1984-1986
LeBaron.....	1976-1981
LeBaron.....	1982-1985
LeBaron.....	1986-1994
LeBaron GTS.....	1984-1995
LHS.....	1993-1997
Newport.....	1980-1981
New Yorker.....	1980-1981
New Yorker.....	1983-1987
New Yorker.....	1988-1996
Sebring.....	1995-2000
Sebring (conv).....	1996-2000
Town & Country.....	1990-1995
Town & Country.....	1996-2000

Dodge

Aries.....	1981-1989
Aspen.....	1976-1980
Avenger.....	1995-2000
Caravan.....	1984-1990
Caravan.....	1991-1995
Caravan.....	1996-2000
Charger.....	1974-1978
Charger.....	1983-1987
Dakota.....	1987-1996
Dakota.....	1997-2000
Daytona.....	1984-1989
Daytona.....	1990-1993
Diplomat.....	1976-1989
Durango.....	1997-2000
Dynasty.....	1988-1993
Intrepid.....	1993-1997
Lancer.....	1985-1989
Magnum XE.....	1978-1979
Mirada.....	1980-1983
Neon.....	1994-1999
Omni.....	1978-1982
Pickup.....	1974-1980

Dodge (cont.)

Pickup.....	1981-1993
Ram.....	1994-2001
Ramcharger.....	1974-1980
Ramcharger.....	1981-1993
Rampage.....	1978-1982
Shadow.....	1987-1994
Spirit.....	1989-1995
ST Regis.....	1979-1981
Stratus.....	1995-2000
Van.....	1978-2003
024.....	1978-1982
400.....	1982-1983
600.....	1983-1987

Eagle

Vision.....	1993-1997
-------------	-----------

Ford

Aerostar.....	1985-1991
Bronco II.....	1985-1988
Crown Victoria.....	1979-1990
LTD.....	1979-1990

Ranger (mini).....	1985-1988
--------------------	-----------

Thunderbird.....	1985-1988
------------------	-----------

Jeep

Cherokee.....	1997-2001
Grand Cherokee.....	1993-1995
Grand Cherokee.....	1996-1998
Wrangler.....	1997-2002

Lincoln

Continental.....	1985-1987
Mark VII.....	1984-1989

Mercury

Cougar.....	1985-1988
Grand Marquis.....	1979-1990
Marquis.....	1979-1986

Plymouth

Acclaim.....	1989-1995
Breeze.....	1996-2000
Caravelle.....	1985-1987
Fury.....	1975-1978
Gran Fury.....	1975-1985

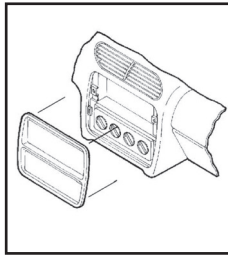
Plymouth (cont.)

Horizon.....	1978-1982
Neon.....	1994-1999
Reliant.....	1981-1989
Scamp.....	1983-1984
Sundance.....	1987-1994
TC3.....	1978-1982
Trailduster.....	1974-1980
Trailduster.....	1981
Turismo.....	1983-1987
Van.....	1978-2003
Volare.....	1976-1980
Voyager.....	1984-1990
Voyager.....	1991-1995
Voyager.....	1996-2000

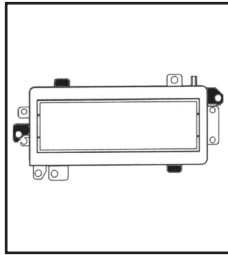
DASH DISASSEMBLY

Chrysler Cirrus/Dodge Stratus 1995-2000, Plymouth Breeze 1996-2000

1. Using a flat-blade screwdriver, pry out on the edges of the radio trim bezel. Unclip the bezel and remove. (Figure A)
2. Remove (2) 3/8" hex-head screws securing the factory radio, then unplug and remove the radio.
3. Cut and remove all mounting tabs on the **radio housing** EXCEPT the shaded tabs. (Figure B)



(Figure A)



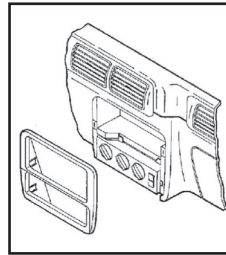
(Figure B)

Continue to Kit Assembly

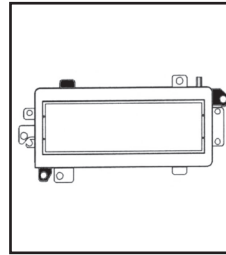
Chrysler Concorde/LHS/Dodge Intrepid/Eagle Vision 1993-1997

1. Unclip the radio trim bezel and remove. (Figure A)
2. Remove (2) 3/8" hex-head screws securing the factory radio, then unplug and remove the radio.
3. Cut and remove all mounting tabs on the **radio housing** EXCEPT the shaded tabs. (Figure B)

Continue to Kit Assembly



(Figure A)

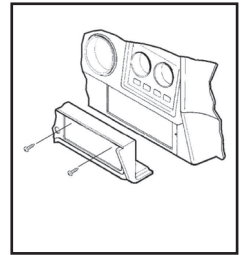


(Figure B)

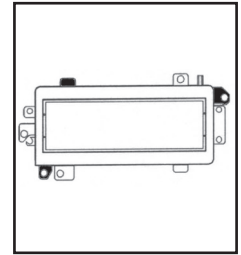
Chrysler Cordoba/Plymouth Fury 1975-1978, Dodge Charger 1974-1978/Magnum XE 1978-1979

1. Remove (4) Phillips screws from the bottom edge of the radio trim bezel.
2. Remove (2) Phillips screws above the radio opening. (Figure A)
3. Unscrew the retainer ring securing the remote mirror control and remove the bezel.
4. Remove (2) 3/8" hex-head screws securing the factory radio, then unplug and remove the radio.
5. Cut and remove all mounting tabs on the **radio housing** EXCEPT the shaded tabs. (Figure B)

Continue to Kit Assembly



(Figure A)

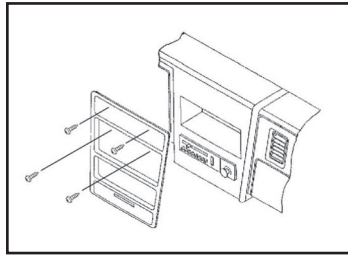


(Figure B)

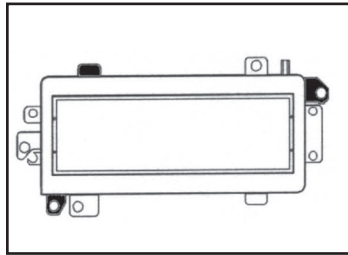
DASH DISASSEMBLY

Chrysler Cordoba 1979-1985/Imperial 1982-1983, Newport/New Yorker 1980-1981, Dodge Mirada 1980-1983/St. Regis 1979-1981

1. Remove (2) Phillips screws from the bottom edge of the radio trim bezel. (Figure A)
2. Remove (2) Phillips screws above the radio opening.
3. Unscrew the retainer ring securing the remote mirror control and remove the bezel.
4. Remove (2) 3/8" hex-head screws securing the factory radio, then unplug and remove the radio.
5. Cut and remove all mounting tabs on the **radio housing** EXCEPT the shaded tabs. (Figure B)



(Figure A)

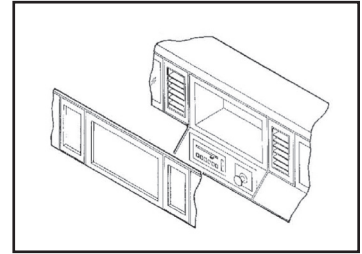


(Figure B)

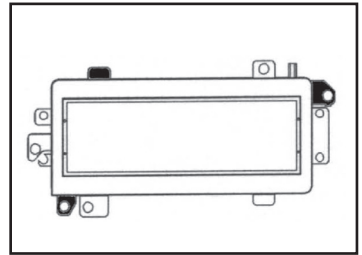
Continue to Kit Assembly

Chrysler E-Class 1983-1984/LeBaron 1982-1985/New Yorker 1983-1987, Dodge Aries 1981-1989/400 1982-1983/600 1983-1987, Plymouth Caravelle 1985-1987/Reliant 1981-1989

1. Remove (3) Phillips screws from the top edge of the dash trim bezel.
2. Remove (3) Phillips screws from the bottom edge of the dash trim bezel.
3. Unclip the climate control bezel and disconnect the wiring. (Figure A)
4. Remove (2) 3/8" hex-head bolts securing the factory radio, then unplug and remove the radio.
5. Cut and remove all mounting tabs on the **radio housing** EXCEPT the shaded tabs. (Figure B)



(Figure A)



(Figure B)

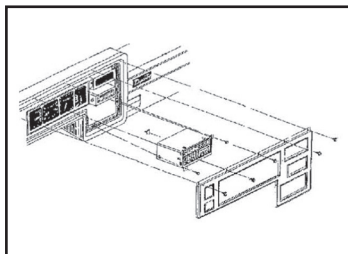
Continue to Kit Assembly

DASH DISASSEMBLY

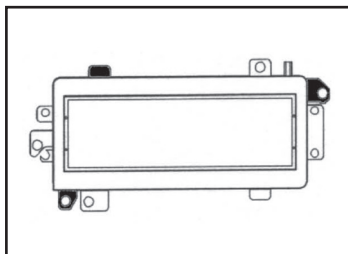
Chrysler Fifth Avenue/Imperial 1990-1994, New Yorker 1988-1996, Dodge Dynasty 1988-1993

1. Remove (2) Phillips screws above the radio opening. (Figure A)
2. Remove (2) Phillips screws above the climate controls. (Figure A)
3. Unclip the dash trim bezel and remove.
4. Remove (2) 3/8" hex-head screws securing the factory radio, then unplug and remove the radio. (Figure A)
5. Cut and remove all mounting tabs on the **radio housing** EXCEPT the shaded tabs. (Figure B)

Continue to Kit Assembly



(Figure A)

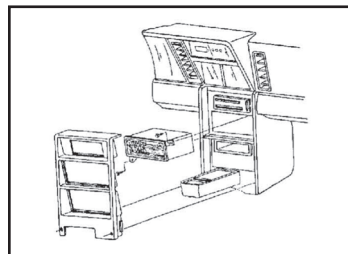


(Figure B)

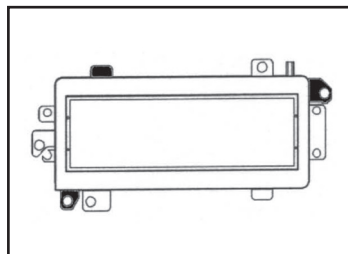
Chrysler Laser 1984-1986 Dodge Daytona 1984-1989

1. Remove (1) Phillips screw from the lower corner of the dash trim bezel.
2. Unclip the bezel and remove.
3. Remove (2) Phillips screws from the right console panel and remove the panel. (Figure A)
4. Remove (2) hex-head screws securing the factory radio, then unplug and remove the radio.
5. Cut and remove all mounting tabs on the **radio housing** EXCEPT the shaded tabs. (Figure B)

Continue to Kit Assembly



(Figure A)

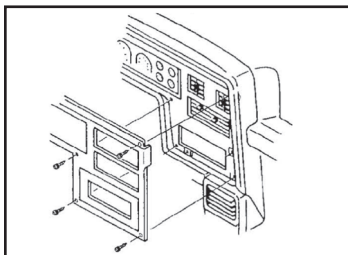


(Figure B)

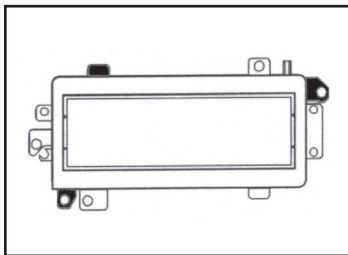
DASH DISASSEMBLY

Chrysler LeBaron GTS 1985-1994, Dodge Lancer 1985-1989

1. Remove (5) torx-head screws from the top of the dash trim bezel.
2. Remove (2) torx-head screws below the radio opening.
3. Remove (1) torx-head screw from the upper-left corner of the radio opening.
4. Remove (4) torx-head screws from the lower-left area of the dash trim bezel. (Figure A)
5. Unclip the bezel and remove. Remove (2) 3/8" hex-head bolts securing the factory radio, then unplug and remove the radio.
6. Cut and remove all mounting tabs on the radio housing EXCEPT the shaded tabs. (Figure B)



(Figure A)



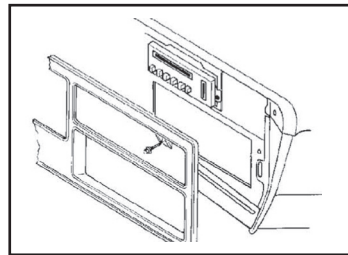
(Figure B)

Continue to Kit Assembly

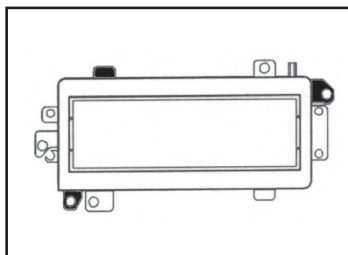
Chrysler LeBaron 1976-1981, Dodge Diplomat 1976-1989/Aspen 1976-1980, Plymouth Gran Fury 1975-1985/ Volare 1976-1980

1. Remove (4) Phillips screws from the top of the dash trim bezel and then remove (4) from the bottom and remove the dash trim bezel. (Figure A)
2. Remove (2) 3/8" hex-head screws securing the factory radio, then unplug and remove the radio.
3. Cut and remove all mounting tabs on the radio housing EXCEPT the shaded tabs. (Figure B)

Continue to Kit Assembly



(Figure A)



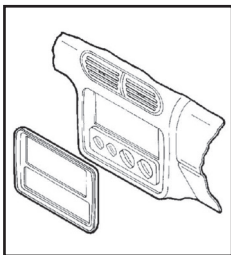
(Figure B)

DASH DISASSEMBLY

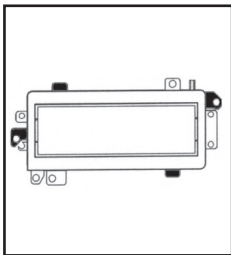
Chrysler Sebring (convertible) 1996-2000

1. Unclip the radio trim bezel and remove. (Figure A)
2. Remove (2) 3/8" hex-head screws securing the factory radio, then unplug and remove the radio.
3. Cut and remove all mounting tabs on the **radio housing** EXCEPT the shaded tabs. (Figure B)

Continue to Kit Assembly



(Figure A)

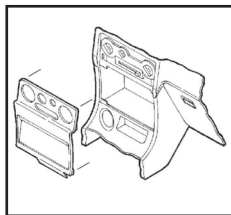


(Figure B)

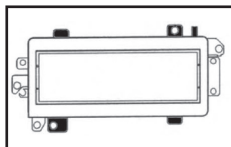
Chrysler Sebring/Plymouth Avenger 1995-2000

1. Unclip the radio trim bezel and remove. (Figure A)
2. Remove (2) #10 Phillips screws securing the factory radio, then unplug and remove the radio.
3. Cut and remove all mounting tabs on the **radio housing** EXCEPT the shaded tabs. (Figure B)

Continue to Kit Assembly



(Figure A)

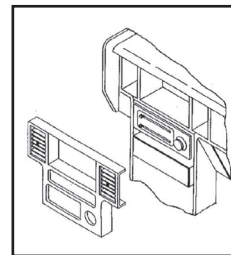


(Figure B)

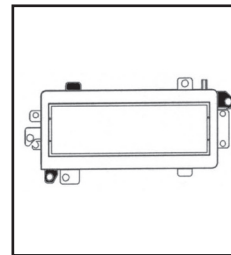
Dodge Caravan/Plymouth Voyager 1991-1995

1. Remove the cigarette lighter.
2. Using a panel removal tool, pry out on the dash trim bezel and remove. (Figure A)
3. Remove (2) 3/8" bolts securing the factory radio, then unplug and remove the radio.
4. Cut and remove all mounting tabs on the **radio housing** EXCEPT the shaded tabs. (Figure B)

Continue to Kit Assembly



(Figure A)

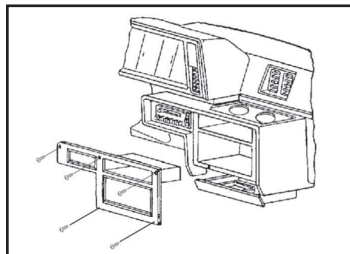


(Figure B)

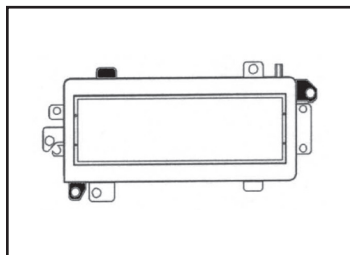
DASH DISASSEMBLY

Chrysler Town & Country 1990-1995, Dodge Caravan 1984-1990, Plymouth Voyager 1984-1990

1. Reach behind the ashtray and release the rear tab on the ashtray housing.
2. Remove (2) screws from the bottom edge of the dash trim bezel. Remove (3) screws from the top edge of the dash trim bezel. (Figure A)
3. Unsnap the left edge of the bezel and remove.
4. Remove (2) 3/8" hex-head screws securing the factory radio, then unplug and remove the radio.
5. Cut and remove all mounting tabs on the **radio housing** EXCEPT the shaded tabs. (Figure B)



(Figure A)

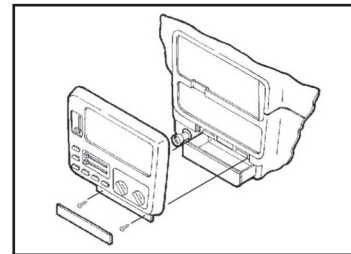


(Figure B)

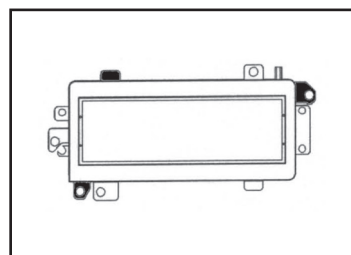
Continue to Kit Assembly

Dodge Caravan/Chrysler Town & Country/ Plymouth Voyager 1996-2000

1. Pull the ashtray forward. Unsnap the plastic trim piece located below the radio trim bezel and remove (2) Phillips screws exposed. (Figure A)
2. Remove (2) Phillips screws above the radio opening.
3. Unclip the dash trim bezel, disconnect the climate control wiring and remove the bezel.
4. Remove (2) 3/8" hex-head screws securing the factory radio, then unplug and remove the radio.
5. Cut and remove all mounting tabs on the **radio housing** EXCEPT the shaded tabs. (Figure B)



(Figure A)



(Figure B)

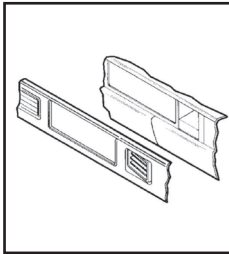
Continue to Kit Assembly

DASH DISASSEMBLY

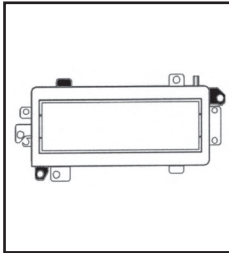
Dodge Charger/Plymouth Turismo 1983-1987

1. Unclip the radio trim bezel and remove.
2. Remove (2) 3/8" hex-head screws securing the factory radio, then unplug and remove the radio.
3. Cut and remove all mounting tabs on the **radio housing** EXCEPT the shaded tabs. (Figure B)

Continue to
Kit Assembly



(Figure A)

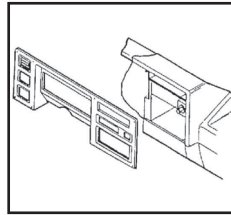


(Figure B)

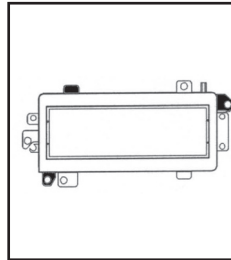
Dodge Dakota 1987-1996

1. Remove (8) torx-head screws from the dash trim bezel.
2. Remove (2) Phillips screws from the lower steering column trim and remove.
3. Remove (1) Phillips screw from each side of the steering column.
4. Unclip the dash trim bezel and remove. (Figure A)
5. Remove (2) Phillips screws securing the factory radio, then unplug and remove the radio.
6. Cut and remove all mounting tabs on the **radio housing** EXCEPT the shaded tabs. (Figure B)

Continue to
Kit Assembly



(Figure A)

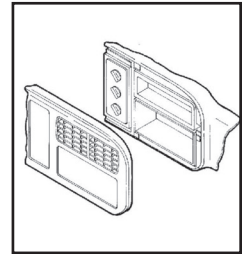


(Figure B)

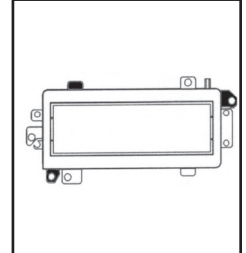
Dodge Dakota 1997-2000

1. Unclip the entire dash trim bezel. (Figure A)
2. Remove (2) 3/8" hex-head screws securing the factory radio, then unplug and remove the radio.
3. Cut and remove all mounting tabs on the **radio housing** EXCEPT the shaded tabs. (Figure B)

Continue to
Kit Assembly



(Figure A)

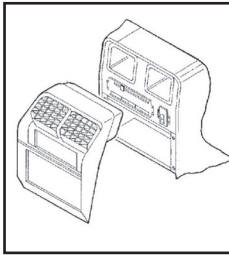


(Figure B)

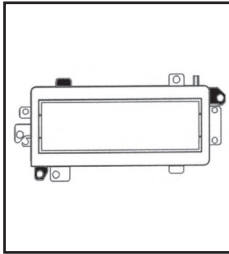
DASH DISASSEMBLY

Dodge Daytona 1990-1993

1. Pull out on the dash trim bezel and remove. (Figure A)
2. Remove (2) screws from each side of the lower console (this will allow easier radio removal).
3. Remove (2) screws securing the factory radio, then unplug and remove the radio.
4. Cut and remove all mounting tabs on the **radio housing** EXCEPT the shaded tabs. (Figure B)



(Figure A)



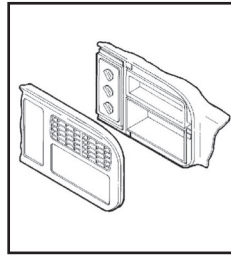
(Figure B)

Continue to
Kit Assembly

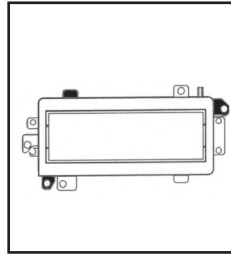
Dodge Durango 1997-2000

1. Unclip the entire dash trim bezel. (Figure A)
2. Remove (2) 3/8" hex-head screws securing the factory radio, then unplug and remove the radio.
3. Cut and remove all mounting tabs on the **radio housing** EXCEPT the shaded tabs. (Figure B)

Continue to
Kit Assembly



(Figure A)

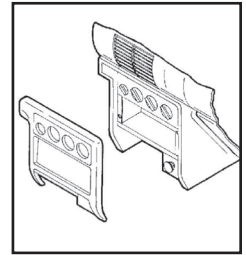


(Figure B)

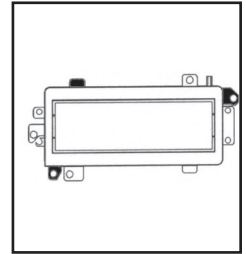
Dodge Neon/ Plymouth Neon 1994-1999

1. Remove the ashtray. Unclip the radio trim bezel and remove. (Figure A)
2. Remove (2) 3/8" hex-head screws securing the factory radio, then unplug and remove the radio.
3. Cut and remove all mounting tabs on the radio housing EXCEPT the shaded tabs. (Figure B)

Continue to
Kit Assembly



(Figure A)

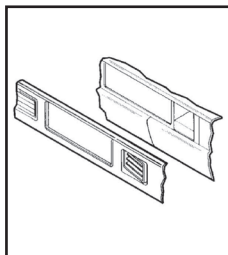


(Figure B)

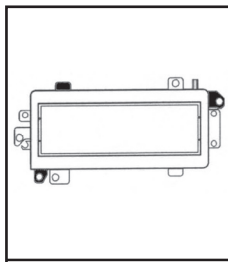
DASH DISASSEMBLY

Dodge Omni/024/ Rampage 1978-1982, Plymouth Horizon/TC3 1978-1982/Scamp 1983- 1984

1. Remove (7) Phillips screws from the dash trim bezel and remove the bezel. (Figure A)
2. Remove (2) 3/8" hex-head screws securing the factory radio, then unplug and remove the radio.
3. Cut and remove all mounting tabs on the **radio housing** EXCEPT the shaded tabs. (Figure B)



(Figure A)

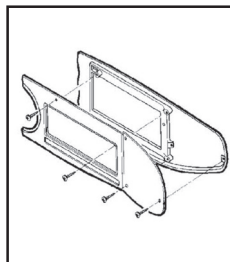


(Figure B)

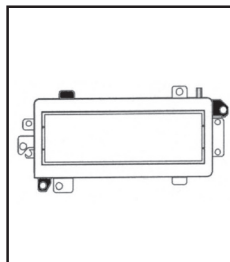
Continue to
Kit Assembly

Dodge Pickup/ Ramcharger/Plymouth Trailduster 1974-1980

1. Remove (4) Phillips screws from the top edge of the dash trim bezel. (Figure A)
2. Remove (7) Phillips screws from the face of the dash trim bezel.
3. Remove (3) Phillips screws under the dash trim bezel.
4. Unclip the bezel and remove. Remove (2) 3/8" hex-head screws securing the factory radio, then unplug and remove the radio.
5. Cut and remove all mounting tabs on the radio housing EXCEPT the shaded tabs. (Figure B)



(Figure A)

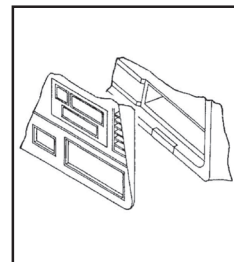


(Figure B)

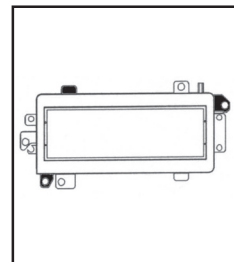
Continue to
Kit Assembly

Dodge Pickup/ Ramcharger 1981-1993, Plymouth Trailduster 1981

1. Remove (5) Phillips screws from the edge of the dash trim bezel.
2. Remove (1) Phillips screw above the radio opening.
3. Pry out on the bottom edge of the bezel and remove. (Figure A)
4. Remove (2) 3/8" hex-head screws securing the factory radio, then unplug and remove the radio.
5. Cut and remove all mounting tabs on the radio housing EXCEPT the shaded tabs. (Figure B)



(Figure A)



(Figure B)

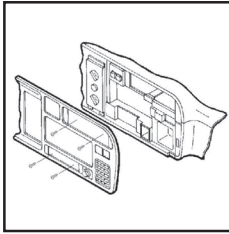
Continue to
Kit Assembly

DASH DISASSEMBLY

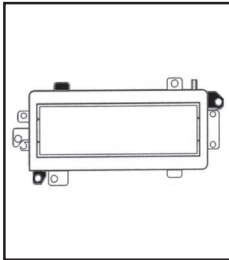
Dodge Ram 1994-2001

1. Remove the ashtray. Remove (2) Phillips screws exposed in the ashtray cavity and remove the ashtray bracket. (Figure A)
2. Remove the cupholder. Remove (2) Phillips screws exposed in the cup holder cavity and remove the cupholder bracket. (Figure A)
3. Unclip the dash trim bezel, pull the bezel over the steering column and remove.
4. Remove (2) 3/8" hex-head screws securing the factory radio, then unplug and remove the radio.
5. Cut and remove all mounting tabs on the **radio housing** EXCEPT the shaded tabs. (Figure B)

Continue to
Kit Assembly



(Figure A)

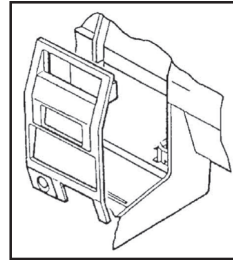


(Figure B)

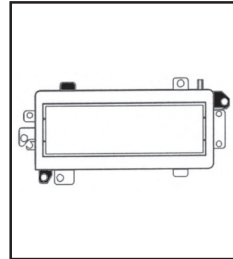
Dodge Shadow/Plymouth Sundance 1987-1994

1. Remove the ashtray. Unclip the dash trim bezel and remove. (Figure A)
2. Remove (1) Phillips screw from the console side trim and remove.
3. Remove (2) 3/8" hex-head bolts securing the factory radio and disconnect the wiring.
4. Cut and remove all mounting tabs on the **radio housing** EXCEPT the shaded tabs. (Figure B)

Continue to
Kit Assembly



(Figure A)

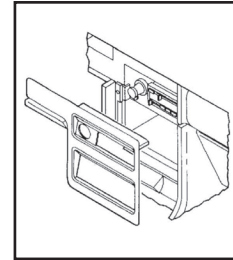


(Figure B)

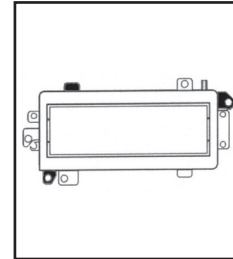
Dodge Spirit/Plymouth Acclaim 1989-1995

1. Unclip the dash trim bezel and remove. Remove the screws securing the side console trim pieces. (Figure A)
2. Pull the right trim piece out and remove (1) hex-head bolt exposed.
3. Remove (1) hex-head bolt securing the bottom-left corner of the factory radio and disconnect the wiring.
4. Cut and remove all mounting tabs on the **radio housing** EXCEPT the shaded tabs. (Figure B)

Continue to
Kit Assembly



(Figure A)

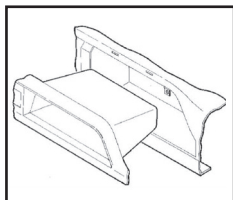


(Figure B)

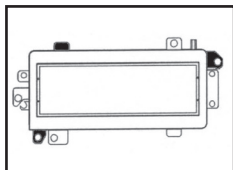
DASH DISASSEMBLY

Dodge Van/Plymouth Van 1978-2003

1. Open the glove box and remove (2) Phillips screws exposed.
2. Remove (5) Phillips screws from the bottom of the dash trim bezel.
3. Unclip the top edge of the bezel and remove. (Figure A)
4. Remove (2) 3/8" hex-head screws securing the factory radio, then unplug and remove the radio.
5. Cut and remove all mounting tabs on the **radio housing** EXCEPT the shaded tabs (Figure B)



(Figure A)



(Figure B)

For 1998-2003 Dodge Van

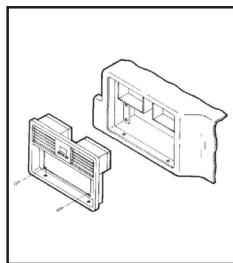
1. Unclip and remove entire panel surrounding radio and instrument cluster.
2. Remove (2) 3/8" hex-head screws securing the factory radio, then unplug and remove the radio.

Continue to
Kit Assembly

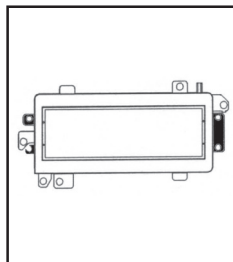
Ford Aerostar 1985-1991

1. Remove (2) Phillips screws from the base of the dash panel. (Figure A)
2. Pry down on the (2) tabs located at the top of the radio trim bezel and remove the bezel. (Figure A)
3. Remove (4) screws securing the factory radio, then unplug and remove the radio. (Figure B)
4. Cut and remove all mounting tabs on the **radio housing** EXCEPT the shaded tabs. (Figure B)

Continue to
Kit Assembly



(Figure A)

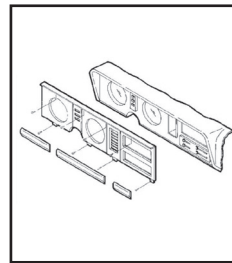


(Figure B)

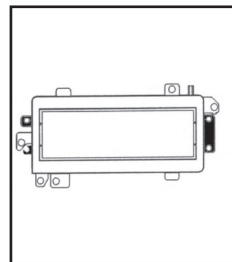
Ford Bronco II/Ranger (mini) 1985-1988

1. Remove (4) Phillips screws from the top edge of the dash trim bezel. (Figure A)
2. Remove the light switch knob, cigarette lighter and ashtray.
3. Unsnap the molding under the dash trim bezel and remove (4) screws exposed. (Figure A)
4. Remove (4) screws securing the factory radio, then unplug and remove the radio. (Figure B)
5. Cut and remove all mounting tabs on the **radio housing** EXCEPT the shaded tabs. (Figure B)

Continue to
Kit Assembly



(Figure A)

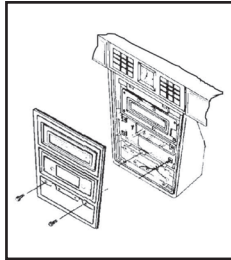


(Figure B)

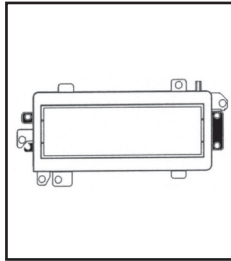
DASH DISASSEMBLY

Ford Crown Victoria/ LTD 1979-1990, Mercury Grand Marquis/Marquis 1979-1986

1. Open the ashtray and remove (2) Phillips screws exposed. (Figure A)
2. Remove the dash trim bezel.
3. Remove (4) screws securing the factory radio, then unplug and remove the radio.
4. Cut and remove all mounting tabs on the **radio housing** EXCEPT the shaded tabs.



(Figure A)

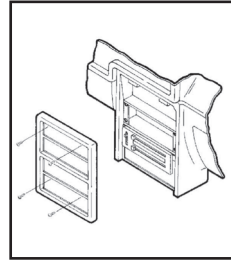


(Figure B)

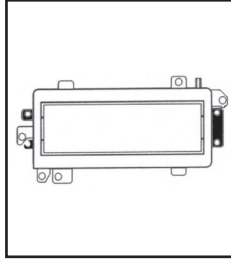
Continue to
Kit Assembly

Ford Thunderbird/Mercury Cougar 1985-1988

1. Remove (2) screws from the top of the dash trim bezel. (Figure A)
2. Open the ashtray and remove (2) screws exposed in the ashtray cavity. (Figure A)
3. Remove the dash trim bezel. Remove (4) screws securing the factory radio, then unplug and remove the radio.
4. Cut and remove all mounting tabs on the **radio housing** EXCEPT the shaded tabs. (Figure B)



(Figure A)



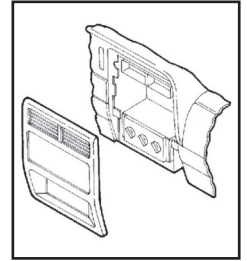
(Figure B)

Continue to
Kit Assembly

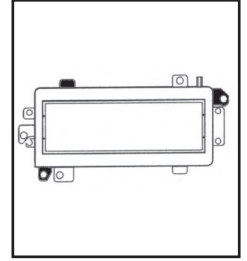
Jeep Cherokee 1997-2001

1. Unclip the dash trim bezel. (Figure A)
2. Remove (2) #10 hexhead screws securing the factory radio, then unplug and remove the radio.
3. Cut and remove all mounting tabs on the **radio housing** EXCEPT the shaded tabs. (Figure B)

Continue to
Kit Assembly



(Figure A)

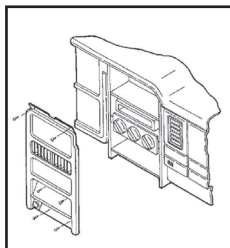


(Figure B)

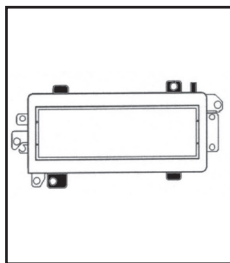
DASH DISASSEMBLY

Jeep Grand Cherokee 1993-1995

1. Remove (2) Phillips screws from the bottom of the dash trim bezel. (Figure A)
2. Remove (2) Phillips screws above the radio opening. (Figure A)
3. Remove (2) Phillips screws to the left of the steering column. (Figure A)
4. Remove (1) Phillips screw to the right of the steering column. Unclip the dash trim bezel and disconnect the wiring.
5. Cut and remove all mounting tabs on the **radio housing** EXCEPT the shaded tabs. (Figure B)



(Figure A)



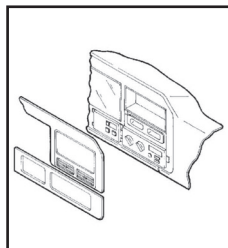
(Figure B)

Continue to
Kit Assembly

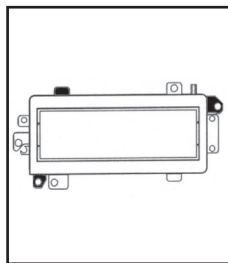
Jeep Grand Cherokee 1996-1998

1. Unsnap the climate control/wiper control trim panel and remove.
2. Remove (5) Phillips screws from the top of the radio/instrument cluster trim bezel.
3. Remove (4) Phillips screws from the bottom of the radio/instrument cluster trim bezel.
4. Pry out on the bottom edge of the bezel and remove. (Figure A)
5. Remove (2) 3/8" hex-head screws securing the factory radio, then unplug and remove the radio.
6. Cut and remove all mounting tabs on the **radio housing** EXCEPT the shaded tabs. (Figure B)

Continue to
Kit Assembly



(Figure A)

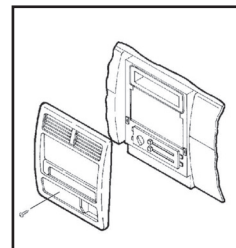


(Figure B)

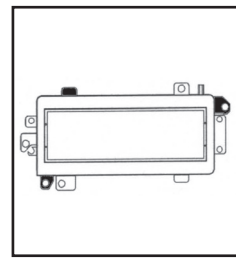
Jeep Wrangler 1997-2002

1. Remove the ashtray and (1) Phillips screw exposed in the ashtray cavity. (Figure A)
2. Pry out on the top cover of the instrument panel and remove (2) Phillips screws exposed.
3. Pry out on the bottom edge of the dash trim bezel and remove.
4. Remove (2) 3/8" hex-head screws securing the factory radio, then unplug and remove the radio.
5. Cut and remove all mounting tabs on the **radio housing** EXCEPT the shaded tabs. (Figure B)

Continue to
Kit Assembly



(Figure A)

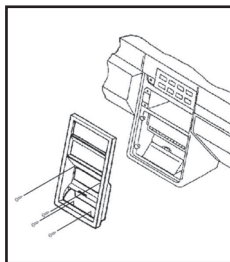


(Figure B)

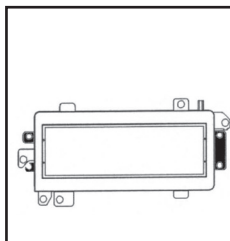
DASH DISASSEMBLY

Lincoln Continental 1985-1987

1. Remove (2) #8 Phillips screws below the radio opening. (Figure A)
2. Open the ashtray and remove (2) #8 Phillips screws (it is NOT necessary to remove the center screw). (Figure A)
3. Unclip the dash trim bezel and remove.
4. Remove (4) hex-head screws securing the factory radio, then unplug and remove the radio.
5. Cut and remove all mounting tabs on the **radio housing** EXCEPT the shaded tabs. (Figure B)



(Figure A)



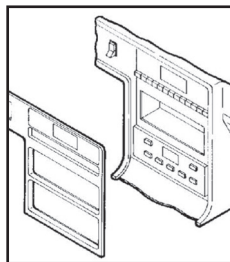
(Figure B)

*Continue to
Kit Assembly*

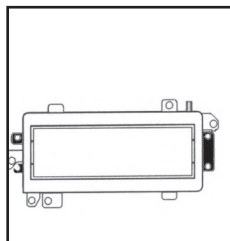
Lincoln Mark VII 1984-1989

1. Pry out on the dash trim bezel and remove. (Figure A)
2. Remove (4) 5mm hex-head sheet metal screws securing the factory radio, then unplug and remove the radio.
3. Cut and remove all mounting tabs on the **radio housing** EXCEPT the shaded tabs. (Figure B)

*Continue to
Kit Assembly*



(Figure A)

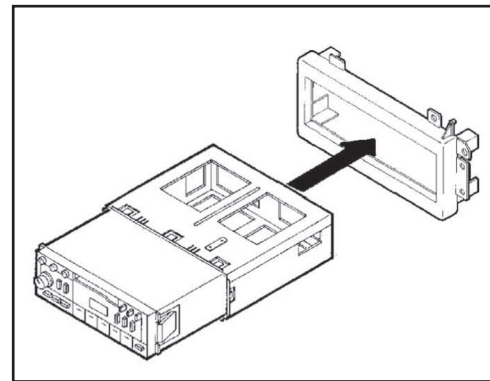


(Figure B)

KIT ASSEMBLY

1. Slide the DIN cage into the radio housing and secure by bending the metal locking tabs down.
2. Slide the aftermarket radio into the cage until secure. (Figure A)

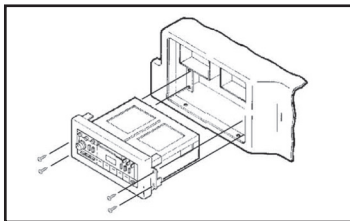
Continue to Final Assembly



(Figure A)

FINAL ASSEMBLY

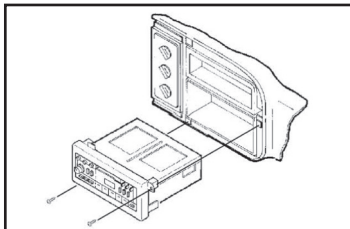
1. Locate the factory wiring harness in the dash. Metra recommends using the proper mating adapter from Metra or AXCESS.
2. Reconnect the negative battery terminal and test the radio for proper operation.



(Figure A)

Ford/Lincoln/Mercury

3. Mount the radio/Kit Assembly to the sub-dash with (4) screws previously removed. (Figure A)
4. Reassemble dash in reverse order of disassembly.

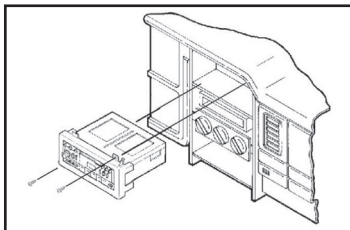


(Figure B)

Chrysler/Dodge/Plymouth/Eagle/Jeep

(excluding Grand Cherokee 1993-1995, Cirrus, Stratus, Breeze, Sebring, Avenger)

3. Mount the radio/Kit Assembly to the sub-dash with (2) 3/8" hex-head screws previously removed. (Figure B)
4. Reassemble dash in reverse order of disassembly.



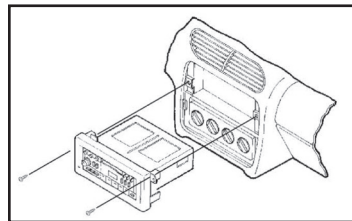
(Figure C)

Jeep Grand Cherokee 1993-1995

3. Mount the radio/Kit Assembly to the sub-dash with (2) screws previously removed. (Figure C)
4. Reassemble dash in reverse order of disassembly.

Chrysler Cirrus, Dodge Stratus, Plymouth Breeze

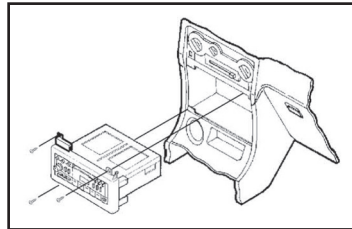
3. Mount the radio/Kit Assembly to the sub-dash with (2) screws previously removed. (Figure D)
4. Reassemble dash in reverse order of disassembly.



(Figure D)

Chrysler Sebring, Dodge Avenger

3. Remove the top-left screw from the metal dash housing.
4. Mount the radio/Kit Assembly to the sub-dash with (2) screws previously removed. (Figure E)
5. Replace the metal housing screw through the top **Support Spacer**. (Figure E)
6. Reassemble dash in reverse order of disassembly.



(Figure E)



INSTALLATION INSTRUCTIONS



Having difficulties? We're here to help.



Contact our Tech Support line at:

386-257-1187



Or via email at:

techsupport@metra-autosound.com

Tech Support Hours (Eastern Standard Time)

Monday - Friday: 9:00 AM - 7:00 PM

Saturday: 10:00 AM - 7:00 PM

Sunday: 10:00 AM - 4:00 PM

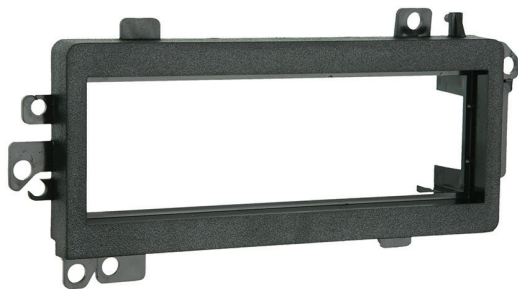


KNOWLEDGE IS POWER

Enhance your installation and fabrication skills by enrolling in the most recognized and respected mobile electronics school in our industry. Log onto www.installerinstitute.edu or call 386-672-5771 for more information and take steps toward a better tomorrow.



**Metra recommends MECP
certified technicians**



99-5700

Ford/Jeep/Lincoln/Mercury/Plymouth

1974-2003

Visite MetraOnline.com para más información acerca del producto y las aplicaciones específicas más actualizadas del vehículo

DESCRIPCIÓN GENERAL DE LA APLICACIÓN

Sección 1: 99-5700

AW-509FD

CF-509FD

Ford/Jeep/Lincoln/Mercury

Section 2: 99-6700

Chrysler/Dodge/Eagle

Ford/Jeep/Lincoln

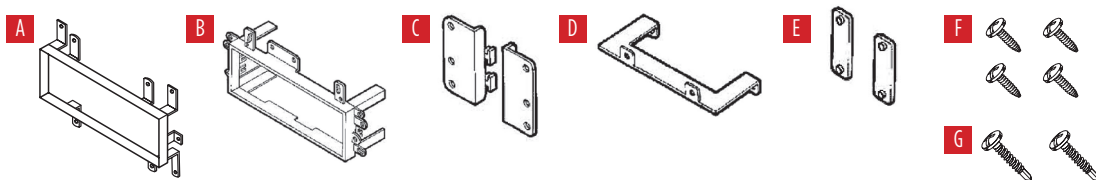
Mercury/Plymouth

CARACTERÍSTICAS DEL KIT Sección 1

- Provisión de radio DIN
- Provisión de radio ISO DIN con cavidad (*seleccionar vehículos*)

COMPONENTES DEL KIT Sección 1

- A) Carcasa del radio #1 • B) Carcasa del radio #2 • C) Conjunto de soportes #1 (*Econoline*) • D) Soportes #2 (*Escort/Lynx*)
- E) Espaciador conjunto #1 • F) (4) tornillos Phillips #6 X 3/8" de cabeza troncocónica • G) (2) #6 Tornillos autorroscantes



INDICE

Sección 1

Aplicaciones 2

Desmontaje del tablero 3-11

Ensamble del kit 12

Ensamblaje final 13

Sección 2 14

Aplicaciones 14-15

Desmontaje del tablero 16-29

Ensamble del kit 29

Ensamblaje final 30

HERRAMIENTAS NECESARIAS

Consulte la página del título de cada sección.

¡Atención! Deje que el vehículo se asiente con la llave fuera del encendido durante unos minutos antes de quitar la radio de fábrica. Al probar el equipo del mercado de accesorios, asegúrese de que todo el equipo de fábrica esté conectado antes de encender el llave de encendido.

APLICACIONES

Ford

Aerostar	1985-1991
Bronco (full)	1987-1991
Bronco	1980-1986
Bronco II	1985-1988
Crown Victoria	1979-1990
Econoline	1975-1991
Escort	1985-1990
F-Series Pickup	1987-1991
F-Series Pickup	1980-1986
Festiva	1988-1993
LTD	1979-1990
Ranger (mini)	1985-1988
Taurus	1986-1989
Tempo	1985-1988
Thunderbird	1985-1988

Jeep

Cherokee	1984-1996
Grand Cherokee	1993-1998
Commanche	1986-1992
Grand Wagoneer	1987-1992
Wrangler	1984-2002

Lincoln

Continental	1985-1994
Mark VII	1984-1992
Town Car	1984-1994

Mercury

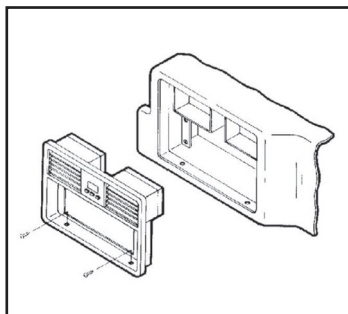
Cougar	1983-1997
Grand Marquis	1979-1994
Lynx	1985-1987
Marquis	1979-1981
Sable	1986-1995
Topaz	1985-1994
Tracer (hatch)	1988-1999

DESMONTAJE DEL TABLERO

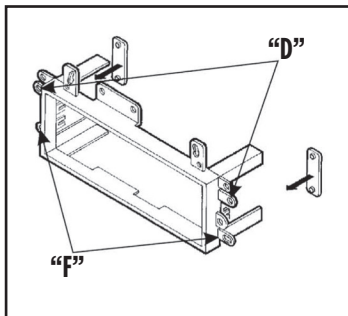
Ford Aerostar 1985-1991

1. Retire (2) tornillos Phillips de la base del marco de terminación del tablero. (Figura A)
2. Levante haciendo palanca en las (2) lengüetas que se encuentran en la parte superior del marco de terminación del tablero y retire el marco.
3. Retire (4) tornillos que sujetan la unidad central de fábrica y desconecte el cableado.
4. Corte y quite todas las pestañas de montaje en la **carcasa del radio #2**, EXCEPTO las pestañas "D" y "F". (Figura B)
5. Localizar **Spacer Set #1** (los espaciadores deben ser colocados detrás de las lengüetas de montaje durante la instalación).

Continuará al ensamble del kit



(Figura A)



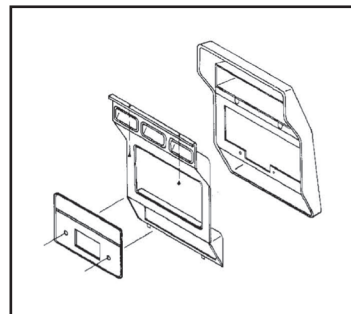
(Figura B)

Lengüetas de montaje se pueden identificar por la letra estampada en la parte posterior de cada lengüeta.

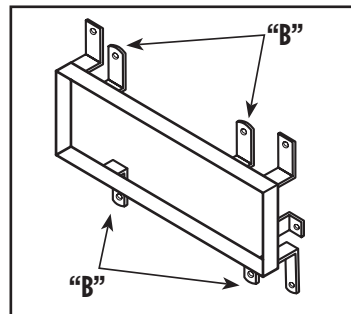
Ford Bronco/Pickup 1980-1986

1. Retire (2) tornillos del borde superior del marco de terminación del tablero. (Figura A)
2. Jale la parte superior del marco hacia afuera, desenganche la base y retire el marco. Cuando NO haya una unidad central de fábrica, trace los (4) orificios de montaje y la abertura del radio en el marco.
3. Perfore los orificios, corte la abertura y coloque (4) ganchos en U sobre las posiciones de montaje.
4. Corte y retire todas las pestañas de la **carcasa de la radio #1**, SALVO las lengüetas "B". (Figura B)

Continuará al ensamble del kit



(Figura A)



(Figura B)

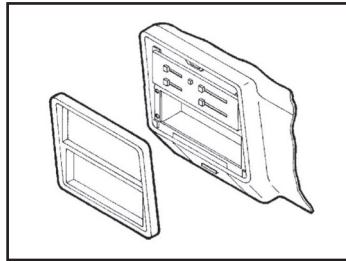
Lengüetas de montaje se pueden identificar por la letra estampada en la parte posterior de cada lengüeta.

DESMONTAJE DEL TABLERO

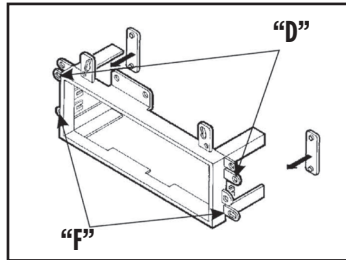
Ford Bronco (tamaño completo) F-Series Pickup 1987-1991

1. Jale con cuidado y retire el marco de terminación del tablero. (Figura A)
2. Retire (4) tornillos que sujetan la unidad central de fábrica y desconecte el cableado.
3. Corte y quite todas las pestañas de montaje en la **carcasa del radio #2**, EXCEPTO las pestañas "D" y "F". (Figura B)
4. Localizar **Spacer Set #1** (los espaciadores deben ser colocados detrás de las lengüetas de montaje durante la instalación).

Continuará al ensamble del kit



(Figura A)



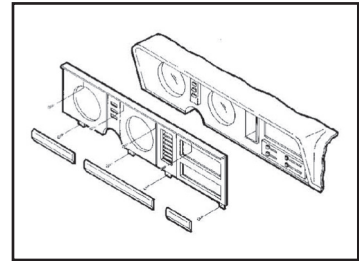
(Figura B)

Lengüetas de montaje se pueden identificar por la letra estampada en la parte posterior de cada lengüeta.

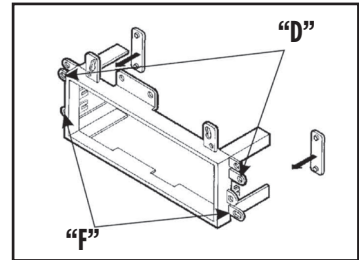
Ford Bronco II/Ranger 1985-1988

1. Retire (4) tornillos Phillips del borde superior del marco de terminación del tablero. (Figura A)
2. Retire la perilla del interruptor de luces, el encendedor y el cenicero.
3. Quite a presión la moldura que se encuentra debajo del marco de terminación del tablero y retire (4) tornillos expuestos.
4. Retire (4) tornillos que sujetan la unidad central de fábrica y desconecte el cableado.
5. Corte y retire todas las pestañas de la **carcasa de la radio #2**, excepto pestañas "D" y "F". (Figura B)
6. Localizar **Spacer Set #1** (los espaciadores deben ser colocados detrás de las lengüetas de montaje durante la instalación).

Continuará al ensamble del kit



(Figura A)



(Figura B)

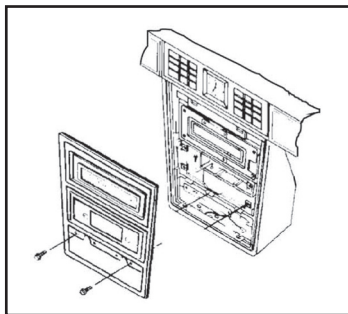
Lengüetas de montaje se pueden identificar por la letra estampada en la parte posterior de cada lengüeta.

DESMONTAJE DEL TABLERO

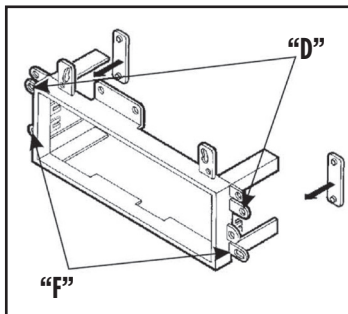
Ford Crown Victoria/LTD, Mercury Grand Marquis/Marquis 1979-1990

1. Abra el cenicero y retire (2) tornillos Phillips que sujetan el marco de terminación del tablero. (Figura A)
2. Retire (4) tornillos que sujetan la unidad central de fábrica y desconecte el cableado.
3. Corte y retire todos los soportes de montaje de la **carcasa de la radio #2**, SALVO las lengüetas "D" y "F". (Figura B)
4. Localizar **Spacer Set #1** (los espaciadores deben ser colocados detrás de las lengüetas de montaje durante la instalación).

Continuará al ensamble del kit



(Figura A)



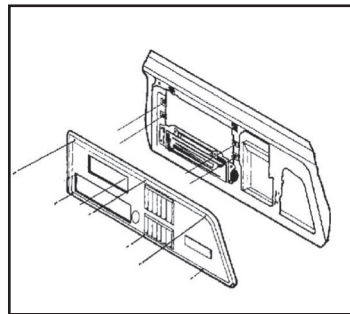
(Figura B)

Lengüetas de montaje se pueden identificar por la letra estampada en la parte posterior de cada lengüeta.

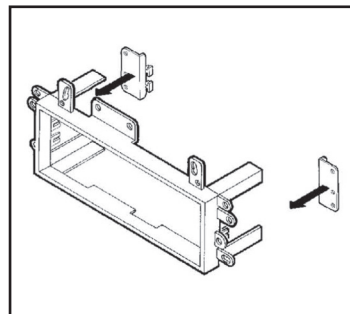
Ford Econoline 1975-1991

1. Retire (3) tornillos del borde inferior del marco de terminación del tablero. (Figura A)
2. Retire (2) tornillos que se encuentran arriba de la abertura del radio. Suelte la esquina derecha del bisel ajuste de la rociada, desconecte el cableado del encendedor de cigarrillos y retire la cubierta. (Figura A)
3. Retire los tornillos que sujetan la unidad central de fábrica y desconecte el cableado.
4. Corte y retire todas las lengüetas de montaje de la **carcasa de la radio #2**. Deslizar el **soporte de Set #1** en las ranuras de la carcasa de la radio. (Figura B)

Continuará al ensamble del kit



(Figura A)



(Figura B)

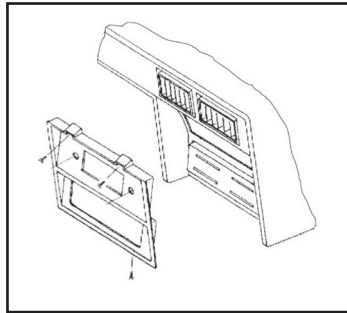
Lengüetas de montaje se pueden identificar por la letra estampada en la parte posterior de cada lengüeta.

DESMONTAJE DEL TABLERO

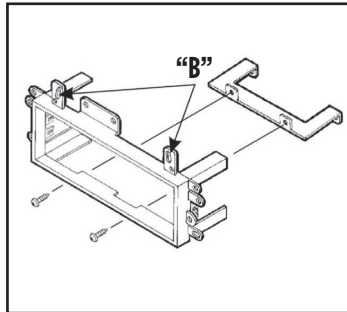
Ford Escort/Mercury Lynx 1985-1990

1. Retire (4) tornillos del borde superior del marco de terminación del tablero. (Figura A)
2. Retire (2) tornillos del borde inferior del marco de terminación del tablero. (Figura A)
3. Retire las perillas de control de clima y retire el marco.
4. Retire (4) tornillos de cabeza hexagonal que sujetan la unidad central de fábrica y desconecte el cableado.
5. Corte y retire todos los soportes de montaje de la **carcasa de la radio #2**, SALVO las lengüetas "B". (Figura B)
6. **Soporte de montaje #2** para la parte inferior de la carcasa con (2) tornillos Phillips n.º 8 x 3/4 in suministrados.

Continuará al ensamble del kit



(Figura A)



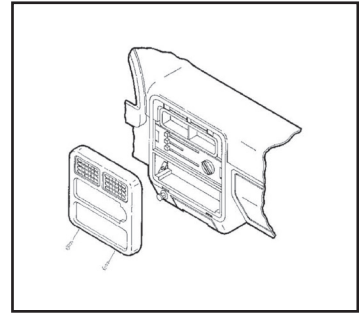
(Figura B)

Lengüetas de montaje se pueden identificar por la letra estampada en la parte posterior de cada lengüeta.

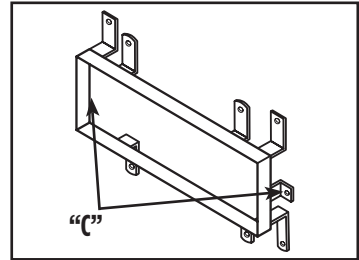
Ford Festiva 1988-1993

1. Retire (4) tornillos Phillips de la parte inferior del marco de terminación del tablero.
2. Retire el marco. Retire (2) tornillos que sujetan la unidad central de fábrica y desconecte el cableado. Extraiga el embellecedor. (Figura A)
3. Corte y retire todas las lengüetas de montaje de la **carcasa de la radio #1**, SALVO las lengüetas "C". (Figura B)

Continuará al ensamble del kit



(Figura A)



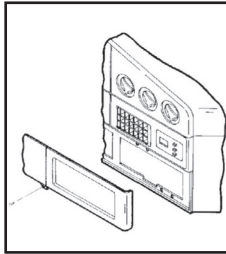
(Figura B)

Lengüetas de montaje se pueden identificar por la letra estampada en la parte posterior de cada lengüeta.

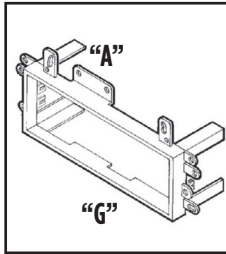
DESMONTAJE DEL TABLERO

Ford Taurus/Mercury Sable 1986-1989

1. Retire (1) tornillo de cabeza hexagonal de 7mm de la parte inferior del marco de terminación del radio. Desenganche con cuidado el marco y desconecte el conductor de alimentación del interruptor de la antena. (Figura A)
2. Retire (4) tornillos que sujetan la unidad central de fábrica y desconecte el cableado.
3. Corte y retire todas las lengüetas de montaje de la **carcasa de la radio #2**, SALVO las lengüetas "A" y "G". (Figura B)



(Figura A)



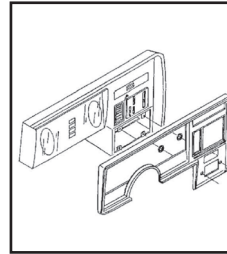
(Figura B)

Lengüetas de montaje se pueden identificar por la letra estampada en la parte posterior de cada lengüeta.

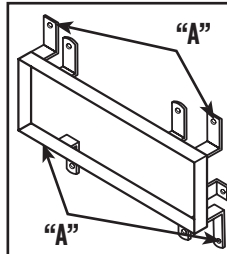
*Continuará al
ensamble del kit*

Ford Tempo/Mercury Topaz 1985-1988

1. Retire el cenicero soltando la lengüeta de liberación que se encuentra en la parte posterior del soporte del cenicero.
2. Retire (2) tornillos del borde inferior del marco de terminación del tablero. Desenganche el borde superior del marco y retírelo. (Figura A)
3. Retire (4) tornillos que sujetan la unidad central de fábrica y desconecte el cableado.
4. Corte y retire todas las lengüetas de montaje de la **carcasa de la radio #1**, SALVO las lengüetas "A". (Figura B)



(Figura A)



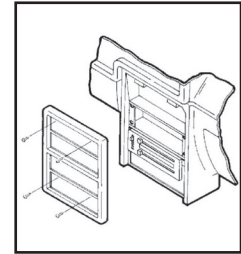
(Figura B)

Lengüetas de montaje se pueden identificar por la letra estampada en la parte posterior de cada lengüeta.

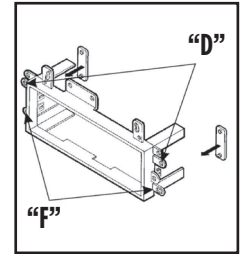
*Continuará al
ensamble del kit*

Ford Thunderbird/Mercury Cougar 1985-1988

1. Retire (2) tornillos de la parte superior del marco de terminación del tablero. (Figura A)
2. Abra el cenicero y retire (2) tornillos del hueco del cenicero.
3. Retire (4) tornillos que sujetan la unidad central de fábrica y corte y retire todas las pestañas de la **carcasa de la radio #2**, excepto pestañas "D" y "F". (Figura B)
4. Localizar **Spacer Set #1** (los espaciadores deben ser colocados detrás de las lengüetas de montaje durante la instalación).



(Figura A)



(Figura B)

Lengüetas de montaje se pueden identificar por la letra estampada en la parte posterior de cada lengüeta.

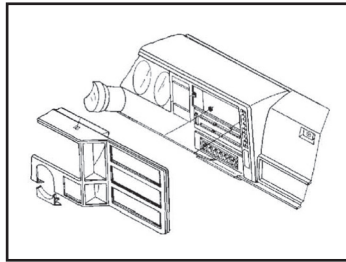
*Continuará al
ensamble del kit*

DESMONTAJE DEL TABLERO

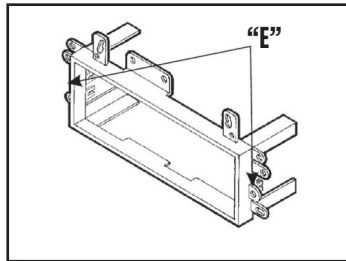
Jeep Cherokee 1984-1995/Comanche 1986-1992/Wagoneer 1984-1996

1. Quite a presión el panel de terminación de la columna de la dirección y retírelo. (Figura A)
2. Retire (4) tornillos del marco de terminación del tablero y retire el marco. (Figura A)
3. Retire (2) tornillos que sujetan la unidad central de fábrica y desconecte el cableado.
4. Corte y retire todas las lengüetas de montaje de la **carcasa de la radio #2**, SALVO las lengüetas "E". (Figura B)

Continuará al ensamble del kit



(Figura A)



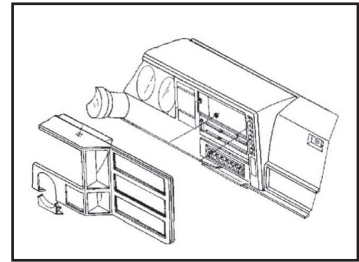
(Figura B)

Lengüetas de montaje se pueden identificar por la letra estampada en la parte posterior de cada lengüeta.

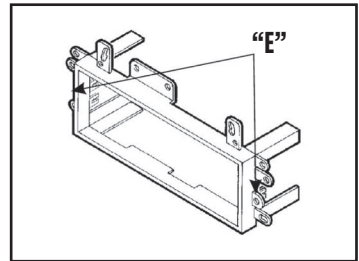
Jeep Cherokee 1996

1. Retire (3) tornillos de cabeza Torx de los paneles de terminación de la columna de la dirección.
2. Desensrosque la palanca de dirección de inclinación y desabrochar los paneles de ajuste. Retire (4) tornillos del marco de terminación del tablero y retire el marco. (Figura A)
3. Retire (2) tornillos que sujetan la unidad central de fábrica y desconecte el cableado.
4. Corte y retire todas las lengüetas de montaje de la **carcasa de la radio #2**, SALVO las lengüetas "E". (Figura B)

Continuará al ensamble del kit



(Figura A)



(Figura B)

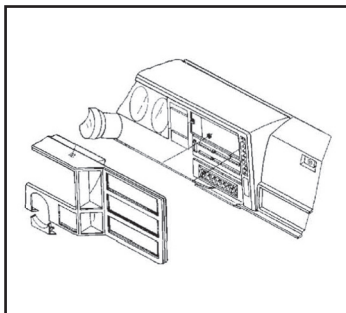
Lengüetas de montaje se pueden identificar por la letra estampada en la parte posterior de cada lengüeta.

DESMONTAJE DEL TABLERO

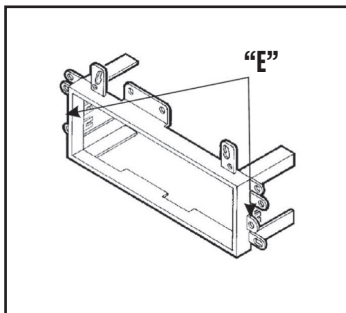
Jeep Grand Wagoneer 1987-1992

1. Desenganche con cuidado el marco de terminación del tablero. (Figura A)
2. Retire (2) tornillos que sujetan la unidad central de fábrica y desconecte el cableado.
3. Corte y retire todas las lengüetas de montaje de la **carcasa de la radio #2**, SALVO las lengüetas "E". (Figura B)

Continuará al ensamble del kit



(Figura A)



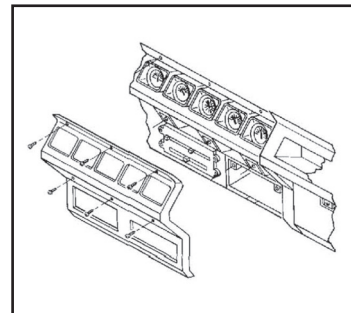
(Figura B)

Lengüetas de montaje se pueden identificar por la letra estampada en la parte posterior de cada lengüeta.

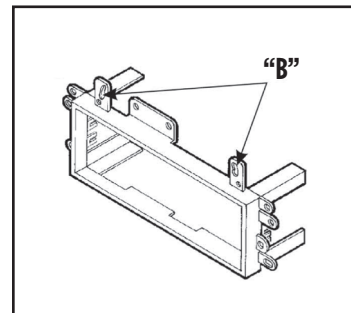
Jeep Wrangler 1986-1996

1. Retire (6) tornillos Phillips de la parte frontal del marco de terminación del tablero. (Figura A)
2. Retire el marco. Retire (2) tornillos que sujetan la unidad central de fábrica y desconecte el cableado.
3. Corte y retire todos los soportes de montaje de la **carcasa de la radio #2**, SALVO las lengüetas "B". (Figura B)

Continuará al ensamble del kit



(Figura A)



(Figura B)

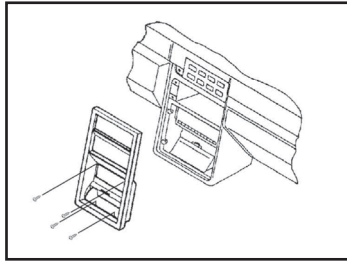
Lengüetas de montaje se pueden identificar por la letra estampada en la parte posterior de cada lengüeta.

DESMONTAJE DEL TABLERO

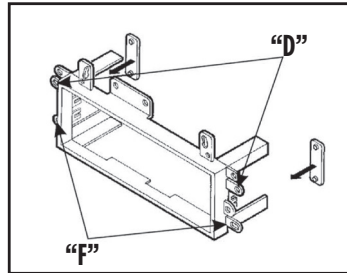
Lincoln Continental 1985-1987

1. Retire (2) tornillos Phillips #8, encuentran debajo de la abertura del radio. (Figura A)
2. Abra el cenicero y retire (2) tornillos Phillips #8 expuestos (NO es necesario retirar el tornillo central). (Figura A)
3. Desenganche y retire el marco de terminación del tablero.
4. Retire (4) tornillos de cabeza hexagonal que sujetan la unidad central de fábrica y desconecte el cableado.
5. Corte y retire todos los soportes de montaje de la **carcasa de la radio #2**, SALVO las lengüetas "D" y "F". (Figura B)
6. Localizar **Spacer Set #1** (los espaciadores deben ser colocados detrás de las lengüetas de montaje durante la instalación).

Continuará al ensamble del kit



(Figura A)



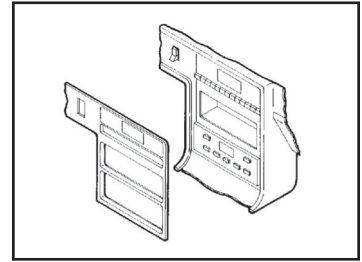
(Figura B)

Lengüetas de montaje se pueden identificar por la letra estampada en la parte posterior de cada lengüeta.

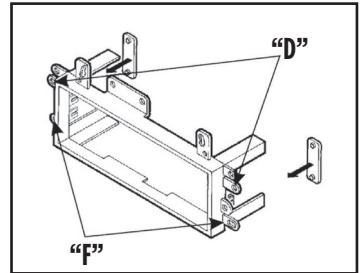
Lincoln Mark VII 1984-1989

1. Haga palanca suavemente sobre el bisel ajuste de la rociada y quitar. (Figura A)
2. Retire (4) tornillos de metal de cabeza hexagonal de 5mm que sujetan la unidad central de fábrica y desconecte el cableado.
3. Corte y retire todos los soportes de montaje de la **carcasa de la radio #2**, SALVO las lengüetas "D" y "F". (Figura B)
4. Localizar **Spacer Set #1** (los espaciadores deben ser colocados detrás de las lengüetas de montaje durante la instalación).

Continuará al ensamble del kit



(Figura A)



(Figura B)

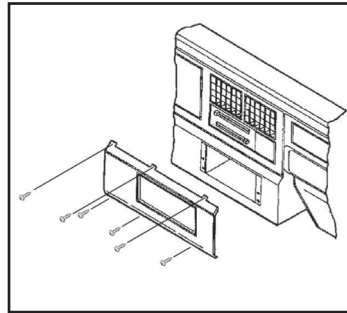
Lengüetas de montaje se pueden identificar por la letra estampada en la parte posterior de cada lengüeta.

DESMONTAJE DEL TABLERO

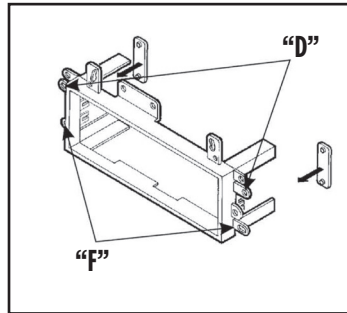
Lincoln Town Car 1984-1989

1. Retire (3) tornillos Phillips #8 de la parte inferior del marco de terminación del radio. (Figura A)
2. Quite la tira de plástico que se encuentra arriba del marco y retire (3) tornillos Phillips expuestos. (Figura A)
3. Jale con cuidado hacia afuera el marco de terminación del grupo de instrumentos del tablero y retire el marco de terminación del radio.
4. Retire (3) tornillos de cabeza hexagonal que sujetan la unidad central de fábrica y desconecte el cableado.
5. Corte y retire todas las lengüetas de montaje de la **carcasa de la radio #2**, SALVO las lengüetas "D" and "F". (Figura B)
6. Localizar **Spacer Set #1** (los espaciadores deben ser colocados detrás de las lengüetas de montaje durante la instalación).

Continuará al ensamble del kit



(Figura A)



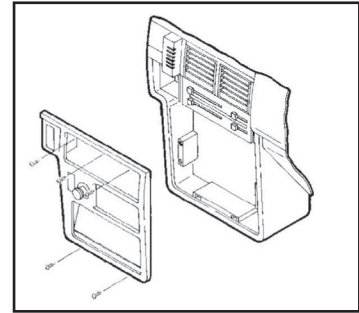
(Figura B)

Lengüetas de montaje se pueden identificar por la letra estampada en la parte posterior de cada lengüeta.

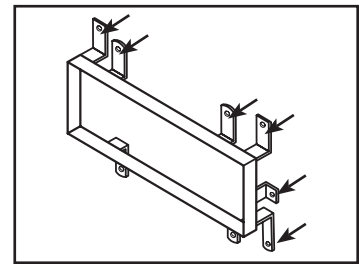
Mercury Tracer (puerta trasera) 1989-1990

1. Retire (3) tornillos Phillips de la parte superior del marco de terminación del tablero. (Figura A)
2. Retire el cenicero y (2) tornillos Phillips de la parte inferior del marco. (Figura A)
3. Retire (4) tornillos Phillips que sujetan la unidad central de fábrica y desconecte el cableado.
4. Corte y retire todos los soportes de montaje de la **carcasa de la radio #1**. (Figura B)

Continuará al ensamble del kit



(Figura A)



(Figura B)

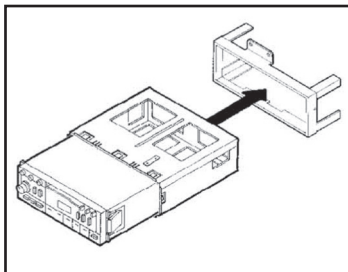
Lengüetas de montaje se pueden identificar por la letra estampada en la parte posterior de cada lengüeta.

ENSAMBLE DEL KIT

Aerostar 1985-1991
Bronco 1987-1991
Bronco II 1985-1988
Crown Victoria 1979-1990
Econoline 1975-1991
Escort 1985-1990
F-Series Pickup 1987-1991
LTD 1979-1984
Ranger 1985-1988
Taurus 1986-1989

Thunderbird 1985-1988
Continental 1985-1987
Mark VII 1984-1989
Town Car 1984-1989
Cougar 1985-88
Grand Marquis 1979-1990
Lynx 1985-1990
Marquis 1979-1990
Sable 1986-1989
Tracer (puerta trasera) 1988-1990
All Jeeps

1. Deslice la de la **carcasa de la radio #2** y segura doblando el metal pestañas de bloqueo hacia abajo (coloque la puede ser añadido para una instalación semi-empotrada).
2. Deslice la unidad central de posventa en la caja hasta que esté sujeta. (Figura A)

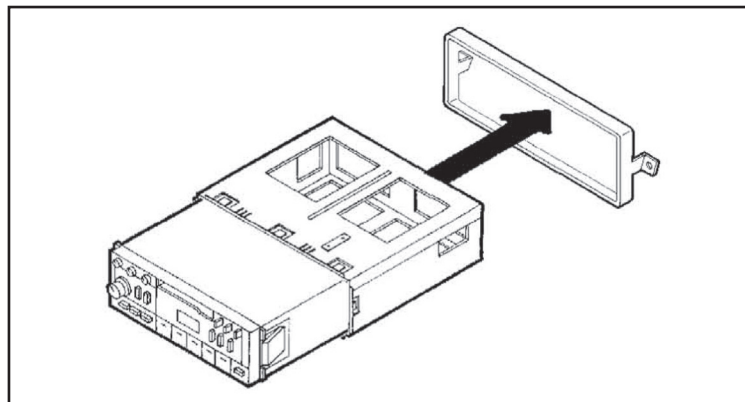


(Figura A)

Bronco 1980-1986
F-Series Pickup 1980-1986
Festiva 1988-1993

Tempo 1985-1988
Topaz 1985-1988

1. Deslice la jaula DIN en la caja y asegurar doblando las lengüetas de fijación metálicos hacia abajo. (Figura A)
2. Deslice la unidad principal del mercado de accesorios en la jaula hasta que quede firme. (Figura A)

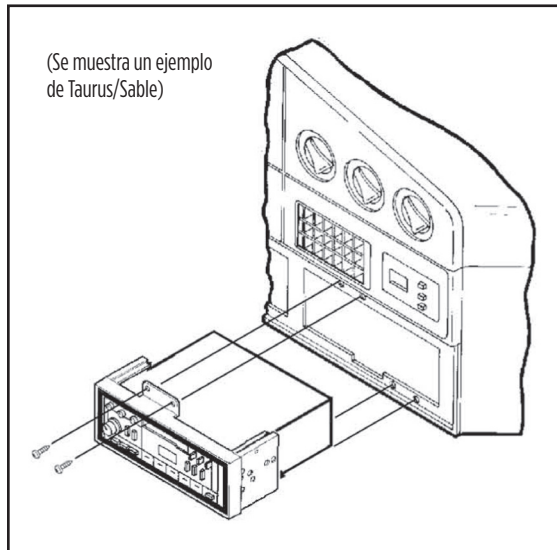


(Figura A)

ENSAMBLAJE FINAL

Todos los vehículos

1. Ubique el arnés del cableado de fábrica en el tablero. Metra recomienda usar el adaptador de acoplamiento adecuado de Metra o AXXESS.
2. Pruebe la unidad para verificar que funcione correctamente.
3. Vuelva a montar el tablero en forma inversa al desmontaje. (Figura A)



(Figura A)

SECCIÓN 2: 99-6700



99-6700

Chrysler/Eagle/Ford/Jeep/Lincoln/
Mercury/Plymouth

1974-2003

Visite MetraOnline.com para más información acerca del producto y las aplicaciones específicas más actualizadas del vehículo

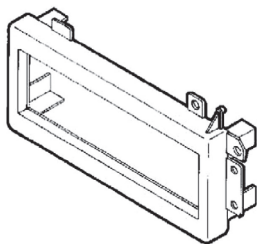
CARACTERÍSTICAS DEL KIT Sección 2

- DIN radio provision

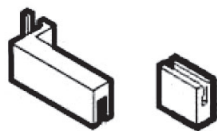
COMPONENTES DEL KIT Sección 2

- A) Carcasa del radio
- B) Separadores de apoyo (Avenger/Sebring) vienen unidos a la carcasa del radio y deben cortarse y retirarse antes de continuar.

A



B



INDICE

Sección 2.....	14
Aplicaciones	15
Desmontaje del tablero	16-29
Ensamble del kit	29
Ensamblaje final	30

HERRAMIENTAS NECESARIAS

- Destornillador Phillips • Herramienta de corte
- Llave de tubo

¡Atención! Deje que el vehículo se asiente con la llave fuera del encendido durante unos minutos antes de quitar la radio de fábrica. Al probar el equipo del mercado de accesorios, asegúrese de que todo el equipo de fábrica esté conectado antes de encender el llave de encendido.

APLICACIONES

Chrysler

Cirrus.....	1995-2000
Concorde.....	1993-1997
Cordoba.....	1975-1978
Cordoba.....	1979-1983
E-Class.....	1983-1984
Fifth Avenue.....	1990-1994
Imperial.....	1982-1983
Imperial.....	1990-1994
Laser.....	1984-1986
LeBaron.....	1976-1981
LeBaron.....	1982-1985
LeBaron.....	1986-1994
LeBaron GTS.....	1984-1995
LHS.....	1993-1997
Newport.....	1980-1981
New Yorker.....	1980-1981
New Yorker.....	1983-1987
New Yorker.....	1988-1996
Sebring.....	1995-2000
Sebring (conv).....	1996-2000
Town & Country.....	1990-1995
Town & Country.....	1996-2000

Dodge

Aries.....	1981-1989
Aspen.....	1976-1980
Avenger.....	1995-2000
Caravan.....	1984-1990
Caravan.....	1991-1995
Caravan.....	1996-2000
Charger.....	1974-1978
Charger.....	1983-1987
Dakota.....	1987-1996
Dakota.....	1997-2000
Daytona.....	1984-1989
Daytona.....	1990-1993
Diplomat.....	1976-1989
Durango.....	1997-2000
Dynasty.....	1988-1993
Intrepid.....	1993-1997
Lancer.....	1985-1989
Magnum XE.....	1978-1979
Mirada.....	1980-1983
Neon.....	1994-1999
Omni.....	1978-1982
Pickup.....	1974-1980

Dodge (cont.)

Pickup.....	1981-1993
Ram.....	1994-2001
Ramcharger.....	1974-1980
Ramcharger.....	1981-1993
Rampage.....	1978-1982
Shadow.....	1987-1994
Spirit.....	1989-1995
ST Regis.....	1979-1981
Stratus.....	1995-2000
Van.....	1978-2003
024.....	1978-1982
400.....	1982-1983
600.....	1983-1987

Eagle

Vision.....	1993-1997
-------------	-----------

Ford

Aerostar.....	1985-1991
Bronco II.....	1985-1988
Crown Victoria.....	1979-1990
LTD.....	1979-1990

Ranger (mini).....	1985-1988
Thunderbird.....	1985-1988

Jeep

Cherokee.....	1997-2001
Grand Cherokee.....	1993-1995
Grand Cherokee.....	1996-1998
Wrangler.....	1997-2002

Lincoln

Continental.....	1985-1987
Mark VII.....	1984-1989

Mercury

Cougar.....	1985-1988
Grand Marquis.....	1979-1990
Marquis.....	1979-1986

Plymouth

Acclaim.....	1989-1995
Breeze.....	1996-2000
Caravelle.....	1985-1987
Fury.....	1975-1978
Gran Fury.....	1975-1985

Plymouth (cont.)

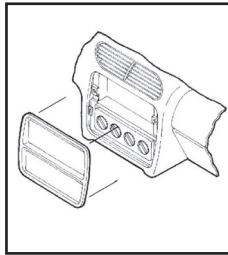
Horizon.....	1978-1982
Neon.....	1994-1999
Reliant.....	1981-1989
Scamp.....	1983-1984
Sundance.....	1987-1994
TC3.....	1978-1982
Trailduster.....	1974-1980
Trailduster.....	1981
Turismo.....	1983-1987
Van.....	1978-2003
Volare.....	1976-1980
Voyager.....	1984-1990
Voyager.....	1991-1995
Voyager.....	1996-2000

DESMONTAJE DEL TABLERO

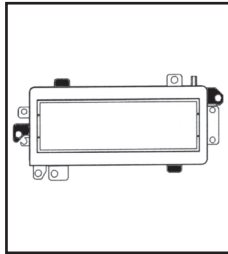
Chrysler Cirrus/Dodge Stratus 1995-2000, Plymouth Breeze 1996-2000

1. Utilizando un destornillador de hoja plana, levante haciendo palanca en los bordes del marco de terminación del radio. Desenganche el marco y retírelo. (Figura A)
2. Retire (2) tornillos de cabeza hexagonal de 3/8 in que sujetan la unidad central de fábrica y desconecte el cableado.
3. Corte y retire todas las lengüetas de montaje del **alojamiento del radio**, SALVO las lengüetas sombreadas. (Figura B)

Continuará al ensamble del kit



(Figura A)

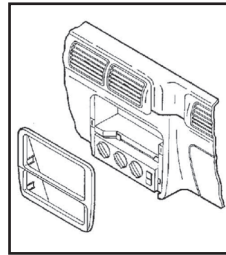


(Figura B)

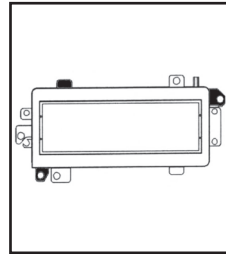
Chrysler Concorde/LHS/Dodge Intrepid/Eagle Vision 1993-1997

1. Desenganche el marco de terminación del radio y retírelo. (Figura A)
2. Retire (2) tornillos de cabeza hexagonal de 3/8 in que sujetan la unidad central de fábrica y desconecte el cableado.
3. Corte y retire todas las lengüetas de montaje del **alojamiento del radio**, SALVO las lengüetas sombreadas. (Figura B)

Continuará al ensamble del kit



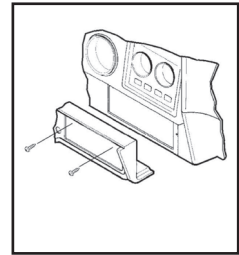
(Figura A)



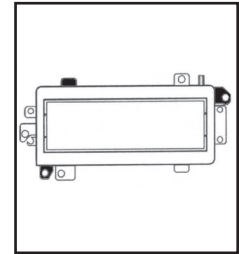
(Figura B)

Chrysler Cordoba/Plymouth Fury 1975-1978, Dodge Charger 1974-1978/ Magnum XE 1978-1979

1. Retire (4) tornillos Phillips del borde inferior del marco de terminación del radio.
2. Retire (2) tornillos Phillips que se encuentran arriba de la abertura del radio. (Figura A)
3. Desatornille el anillo de retención que sujeta el control remoto del espejo y retire el marco.
4. Retire (2) tornillos de cabeza hexagonal de 3/8 in que sujetan la unidad central de fábrica y desconecte el cableado.
5. Corte y retire todas las lengüetas de montaje del **alojamiento del radio**, SALVO las lengüetas sombreadas. Continuará al ensamble del kit



(Figura A)



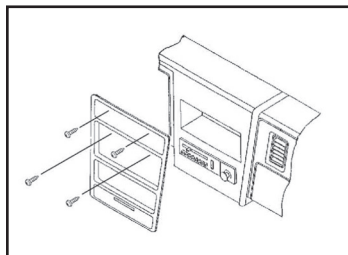
(Figura B)

DESMONTAJE DEL TABLERO

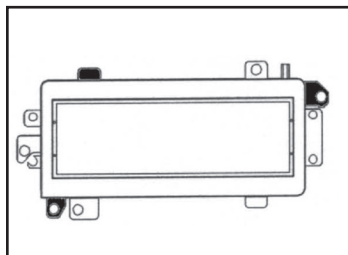
Chrysler Cordoba 1979-1985/Imperial 1982-1983, Newport/New Yorker 1980-1981, Dodge Mirada 1980-1983/St. Regis 1979-1981

1. Retire (2) tornillos Phillips del borde inferior del marco de terminación del radio. (Figura A)
2. Retire (2) tornillos Phillips que se encuentran arriba de la abertura del radio.
3. Desatornille el anillo de retención que sujeta el control remoto del espejo y retire el marco.
4. Retire (2) tornillos de cabeza hexagonal de 3/8 in que sujetan la unidad central de fábrica y desconecte el cableado.
5. Corte y retire todas las lengüetas de montaje del **alojamiento del radio**, SALVO las lengüetas sombreadas. (Figura B)

Continuará al ensamble del kit



(Figura A)

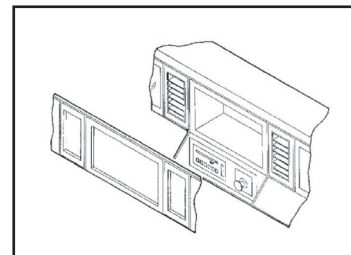


(Figura B)

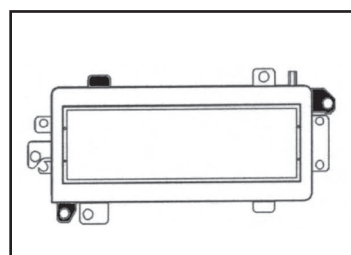
Chrysler E-Class 1983-1984/LeBaron 1982-1985/New Yorker 1983-1987, Dodge Aries 1981-1989/400 1982-1983/600 1983-1987, Plymouth Caravelle 1985-1987/Reliant 1981-1989

1. Retire (3) tornillos Phillips del borde superior del marco de terminación del tablero.
2. Retire (3) tornillos Phillips del borde inferior del marco de terminación del tablero.
3. Desenganche el marco y desconecte el cableado. (Figura A)
4. Retire (2) tornillos de cabeza hexagonal de 3/8 in que sujetan la unidad central de fábrica y desconecte el cableado.
5. Corte y retire todas las lengüetas de montaje del **alojamiento del radio**, SALVO las lengüetas sombreadas. (Figura B)

Continuará al ensamble del kit



(Figura A)

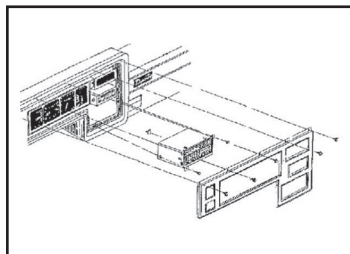


(Figura B)

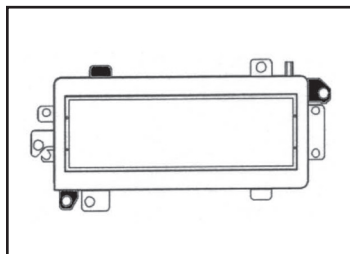
DESMONTAJE DEL TABLERO

Chrysler Fifth Avenue/Imperial 1990-1994, New Yorker 1988-1996, Dodge Dynasty 1988-1993

1. Retire (2) tornillos Phillips que se encuentran arriba de la abertura del radio. (Figura A)
2. Retire (2) tornillos Phillips que se encuentran arriba de los controles de clima. (Figura A)
3. Desenganche el marco de terminación del tablero y retírelo.
4. Retire (2) tornillos de cabeza hexagonal de 3/8 in que sujetan la unidad central de fábrica y desconecte el cableado. (Figura A)
5. Corte y retire todas las lengüetas de montaje del **alojamiento del radio**, SALVO las lengüetas sombreadas. (Figura B)



(Figura A)



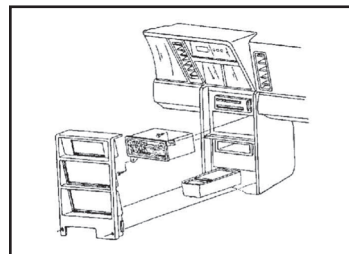
(Figura B)

Continuará al ensamble del kit

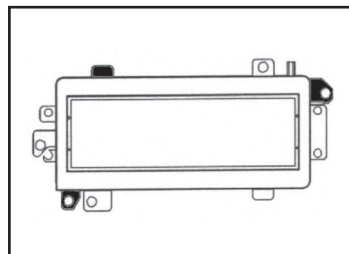
Chrysler Laser 1984-1986 Dodge Daytona 1984-1989

1. Retire (1) tornillo Phillips de la esquina inferior del marco de terminación del tablero.
2. Desenganche el marco y retírelo.
3. Retire (2) tornillos Phillips del panel de la consola derecha y retire el panel. (Figura A)
4. Retire (2) tornillos de cabeza hexagonal que sujetan la unidad central de fábrica y desconecte el cableado.
5. Corte y retire todas las lengüetas de montaje del **alojamiento del radio**, SALVO las lengüetas sombreadas. (Figura B)

Continuará al ensamble del kit



(Figura A)



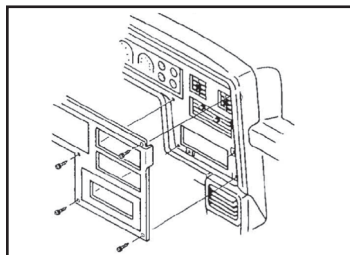
(Figura B)

DESMONTAJE DEL TABLERO

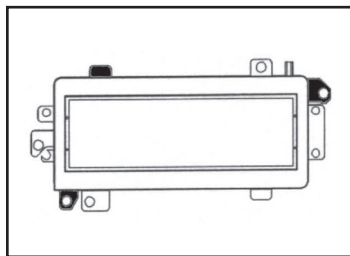
Chrysler LeBaron GTS 1985-1994, Dodge Lancer 1985-1989

1. Retire (5) tornillos de cabeza Torx de la parte superior del marco de terminación del tablero.
2. Retire (2) tornillos de cabeza Torx que se encuentran debajo de la abertura del radio.
3. Retire (1) tornillo de cabeza Torx de la esquina superior izquierda de la abertura del radio.
4. Retire (4) tornillos de cabeza Torx del área inferior izquierda del marco de terminación del tablero. (Figura A)
5. Desenganche el marco y retírelo. Retire (2) tornillos de cabeza hexagonal de 3/8 in que sujetan la unidad central de fábrica y desconecte el cableado.
6. Corte y retire todas las lengüetas de montaje del **alojamiento del radio**, SALVO las lengüetas sombreadas. (Figura B)

Continuará al ensamble del kit



(Figura A)

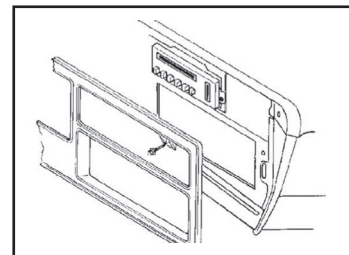


(Figura B)

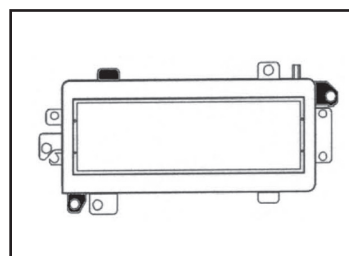
Chrysler LeBaron 1976-1981, Dodge Diplomat 1976-1989/Aspen 1976-1980, Plymouth Gran Fury 1975-1985/ Volare 1976-1980

1. Retire (4) tornillos Phillips de la parte superior del bisel ajuste de la rociada y luego retire (4) de la parte inferior del bisel ajuste de la rociada. (Figura A)
2. Retire (2) tornillos de cabeza hexagonal de 3/8 in que sujetan la unidad central de fábrica y desconecte el cableado.
3. Corte y retire todas las lengüetas de montaje del **alojamiento del radio**, SALVO las lengüetas sombreadas. (Figura B)

Continuará al ensamble del kit



(Figura A)

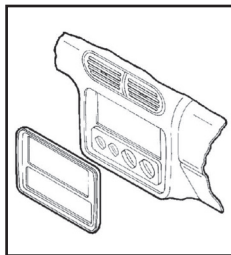


(Figura B)

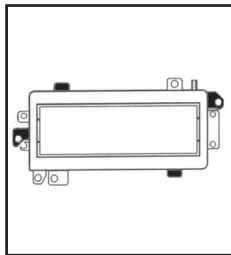
DESMONTAJE DEL TABLERO

Chrysler Sebring (convertible) 1996-2000

1. Desenganche el marco de terminación del radio y retírelo. (Figura A)
2. Retire (2) tornillos de cabeza hexagonal de 3/8 in que sujetan la unidad central de fábrica y desconecte el cableado.
3. Corte y retire todas las lengüetas de montaje del **alojamiento del radio**, SALVO las lengüetas sombreadas. (Figura B)



(Figura A)

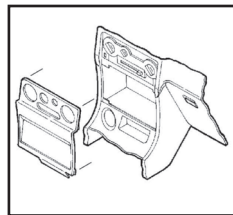


(Figura B)

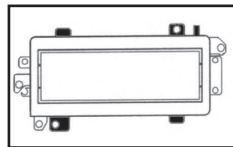
Continuará al
ensamble del kit

Dodge Sebring/Avenger 1995-2000

1. Desenganche el marco de terminación del radio y retírelo. (Figura A)
2. Retire (2) tornillos Phillips #10 que sujetan la unidad central de fábrica y desconecte el cableado.
3. Corte y retire todas las lengüetas de montaje del **alojamiento del radio**, SALVO las lengüetas sombreadas. (Figura B)



(Figura A)

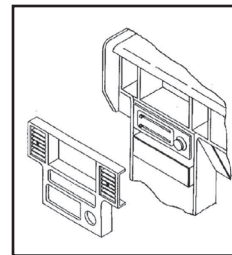


(Figura B)

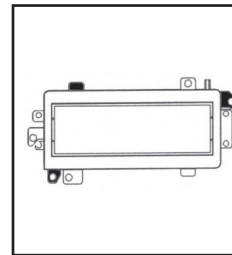
Continuará al
ensamble del kit

Dodge Caravan/Plymouth Voyager 1991-1995

1. Retire el encendedor.
2. Utilizando una herramienta para retirar paneles, levante haciendo palanca en el marco de terminación del tablero y retírelo. (Figura A)
3. Retire (2) tornillos de 3/8 in que sujetan la unidad central de fábrica y desconecte el cableado.
4. Corte y retire todas las lengüetas de montaje del **alojamiento del radio**, SALVO las lengüetas sombreadas. (Figura B)



(Figura A)



(Figura B)

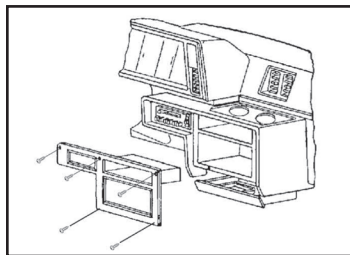
Continuará al
ensamble del kit

DESMONTAJE DEL TABLERO

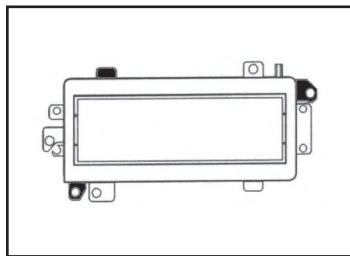
Chrysler Town & Country 1990-1995, Dodge Caravan 1984-1990, Plymouth Voyager 1984-1990

1. Coloque la mano detrás del cenicero y suelte la lengüeta trasera del alojamiento del cenicero.
2. Retire (2) tornillos del borde inferior del marco de terminación del tablero. Retire (3) tornillos del borde superior del marco de terminación del tablero. (Figura A)
3. Quite a presión el borde izquierdo del marco y retírelo.
4. Retire (2) tornillos de cabeza hexagonal de 3/8 in que sujetan la unidad central de fábrica y desconecte el cableado.
5. Corte y retire todas las lengüetas de montaje del **alojamiento del radio**, SALVO las lengüetas sombreadas. (Figura B)

Continuará al ensamble del kit



(Figura A)

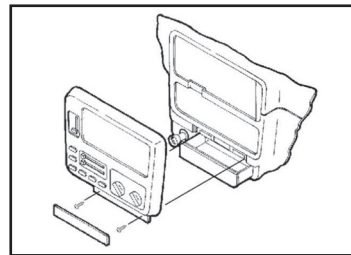


(Figura B)

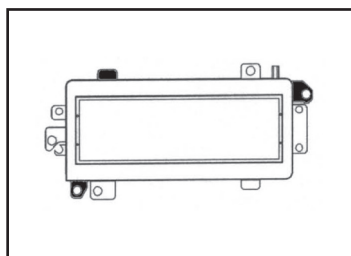
Dodge Caravan/Chrysler Town & Country/ Plymouth Voyager 1996-2000

1. Saque el cenicero hacia adelante. Quite la pieza de plástico situada debajo de la moldura bisel ajuste de radio y quite (2) tornillos Phillips expuestos. (Figura A)
2. Retire (2) tornillos Phillips que se encuentran arriba de la abertura del radio.
3. Desenganche el marco de terminación del tablero, desconecte el cableado del control de clima y retire el marco.
4. Retire (2) tornillos de cabeza hexagonal de 3/8 in que sujetan la unidad central de fábrica y desconecte el cableado.
5. Corte y retire todas las lengüetas de montaje del **alojamiento del radio**, SALVO las lengüetas sombreadas. (Figura B)

Continuará al ensamble del kit



(Figura A)



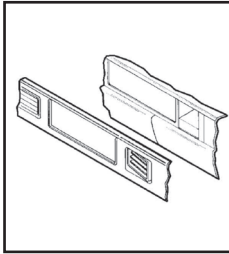
(Figura B)

DESMONTAJE DEL TABLERO

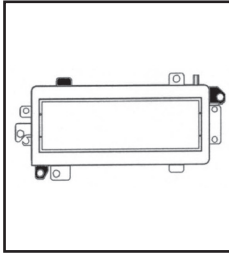
Dodge Charger/Plymouth Turismo 1983-1987

1. Desenganche el marco de terminación del radio y retírelo.
2. Retire (2) tornillos de cabeza hexagonal de 3/8 in que sujetan la unidad central de fábrica y desconecte el cableado.
3. Corte y retire todas las lengüetas de montaje del **alojamiento del radio**, SALVO las lengüetas sombreadas. (Figura B)

Continuará al ensamble del kit



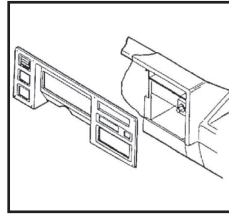
(Figura A)



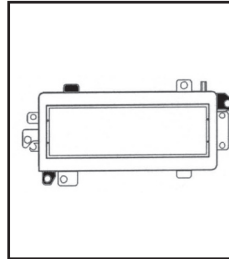
(Figura B)

Dodge Dakota 1987-1996

1. Retire (8) tornillos de cabeza Torx del marco de terminación del tablero.
2. Retire (2) tornillos Phillips del marco de la columna de la dirección inferior y retírelo.
3. Retire (1) tornillo Phillips de cada lado de la columna de la dirección.
4. Desenganche el marco de terminación del tablero y retírelo. (Figura A)
5. Retire (2) tornillos Phillips que sujetan la unidad central de fábrica y desconecte el cableado.
6. Corte y retire todas las lengüetas de montaje del **alojamiento del radio**, SALVO las lengüetas sombreadas. (Figura B)
Continuará al ensamble del kit



(Figura A)

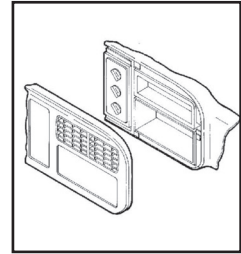


(Figura B)

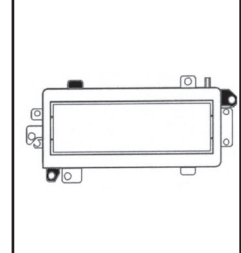
Dodge Dakota 1997-2000

1. Desenganche todo el marco de terminación del tablero. (Figura A)
2. Retire (2) tornillos de cabeza hexagonal de 3/8 in que sujetan la unidad central de fábrica y desconecte el cableado.
3. Corte y retire todas las lengüetas de montaje del **alojamiento del radio**, SALVO las lengüetas sombreadas. (Figura B)

Continuará al ensamble del kit



(Figura A)

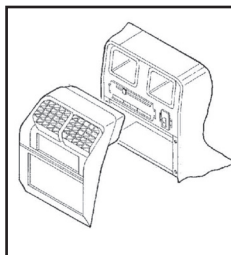


(Figura B)

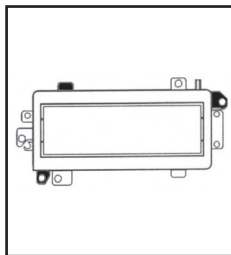
DESMONTAJE DEL TABLERO

Dodge Daytona 1990-1993

1. Jale el marco de terminación del tablero hacia afuera y retírelo. (Figura A)
2. Retire (2) tornillos de cada lado de la consola inferior (esto hará que sea más fácil retirar el radio).
3. Retire (2) tornillos que sujetan la unidad central de fábrica y desconecte el cableado.
4. Corte y retire todas las lengüetas de montaje del **alojamiento del radio**, SALVO las lengüetas sombreadas. (Figura B)



(Figura A)



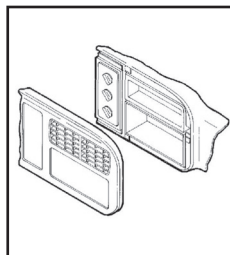
(Figura B)

*Continuará al
ensamble del kit*

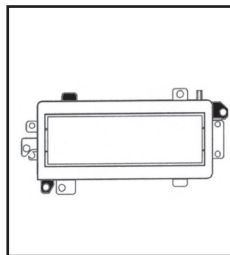
Dodge Durango 1997-2000

1. Desenganche todo el marco de terminación del tablero. (Figura A)
2. Retire (2) tornillos de cabeza hexagonal de 3/8 in que sujetan la unidad central de fábrica y desconecte el cableado.
3. Corte y retire todas las lengüetas de montaje del **alojamiento del radio**, SALVO las lengüetas sombreadas. (Figura B)

*Continuará al
ensamble del kit*



(Figura A)

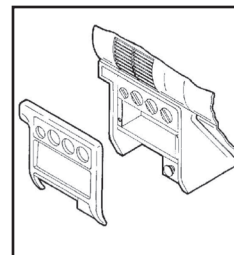


(Figura B)

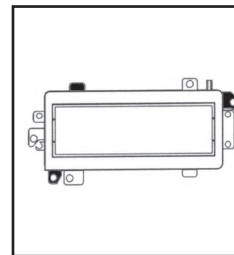
Dodge Neon/ Plymouth Neon 1994-1999

1. Retire el cenicero. Desenganche el marco de terminación del radio y retírelo. (Figura A)
2. Retire (2) tornillos de cabeza hexagonal de 3/8 in que sujetan la unidad central de fábrica y desconecte el cableado.
3. Corte y retire todas las lengüetas de montaje del **alojamiento del radio**, SALVO las lengüetas sombreadas. (Figura B)

*Continuará al
ensamble del kit*



(Figura A)



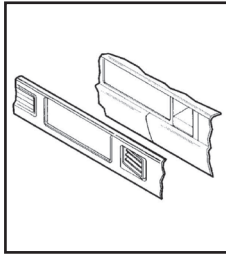
(Figura B)

DESMONTAJE DEL TABLERO

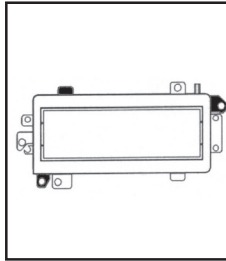
Dodge Omni/024/ Rampage 1978-1982, Plymouth Horizon/ TC3 1978-1982/ Scamp 1983-1984

1. Retire (7) tornillos Phillips del marco de terminación del tablero y retire el marco. (Figura A)
2. Retire (2) tornillos de cabeza hexagonal de 3/8 in que sujetan la unidad central de fábrica y desconecte el cableado.
3. Corte y retire todas las lengüetas de montaje del **alojamiento del radio**, SALVO las lengüetas sombreadas. (Figura B)

Continuará al
ensamble del kit



(Figura A)

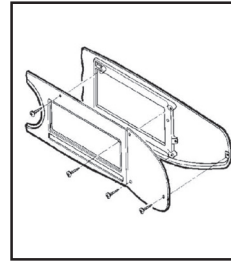


(Figura B)

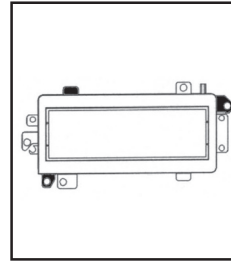
Dodge Pickup/ Ramcharger/Plymouth Trailduster 1974-1980

1. Retire (4) tornillos Phillips del borde superior del bisel de la moldura del tablero. (Figura A)
2. Retire (7) tornillos Phillips de la parte frontal del bisel de la moldura del tablero.
3. Retire (3) tornillos Phillips debajo del bisel de la moldura del tablero.
4. Desenganche el bisel y retírelo. Retire los (2) tornillos de cabeza hexagonal de 3/8" que sujetan el radio de fábrica, luego desconecte y retire el radio.
5. Corte y retire todas las lengüetas de montaje del **alojamiento del radio**, SALVO las lengüetas sombreadas. (Figura B)

Continuará al
ensamble del kit



(Figura A)

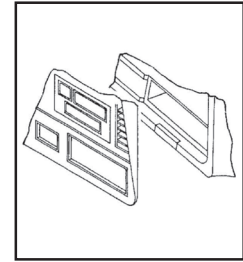


(Figura B)

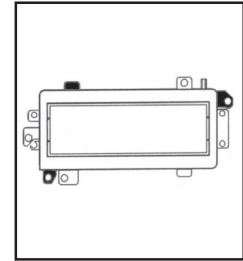
Dodge Pickup/ Ramcharger 1981-1993, Plymouth Trailduster 1981

1. Retire (5) tornillos Phillips del borde del marco de terminación del tablero.
2. Retire (1) tornillo Phillips que se encuentra arriba de la abertura del radio.
3. Levante haciendo palanca en el borde inferior del marco y retírelo. (Figura A)
4. Retire (2) tornillos de cabeza hexagonal de 3/8 in que sujetan la unidad central de fábrica y desconecte el cableado.
5. Corte y retire todas las lengüetas de montaje del alojamiento del radio, SALVO las lengüetas sombreadas. (Figura B)

Continuará al
ensamble del kit



(Figura A)



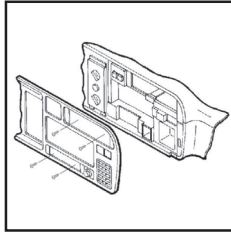
(Figura B)

DESMONTAJE DEL TABLERO

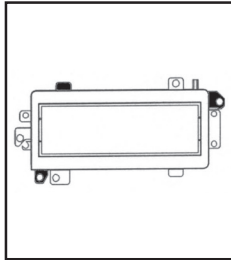
Dodge Ram 1994-2001

1. Retire el cenicero. Retire los (2) tornillos Phillips expuestos en la cavidad del cenicero y retire el soporte del cenicero. (Figura A)
2. Retire el portavasos. Quite los (2) tornillos Phillips expuestos en la cavidad del portavasos y retire el soporte del portavasos. (Figura A)
3. Desenganche el bisel de la moldura del tablero, tire del bisel sobre la columna de dirección y retírelo.
4. Quite los (2) tornillos de cabeza hexagonal de 3/8" que sujetan el radio de fábrica y desconecte el cableado.
5. Corte y retire todas las lengüetas de montaje de la **carcasa del radio**, EXCEPTO las lengüetas sombreadas. (Figura B)

Continuará al
ensamble del kit



(Figura A)

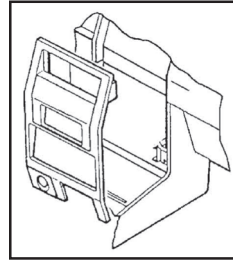


(Figura B)

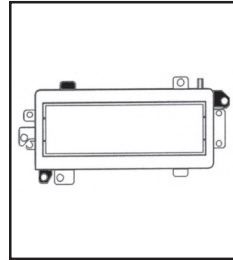
Dodge Shadow/Plymouth Sundance 1987-1994

1. Retire el cenicero. Desenganche el marco de terminación del tablero y retírelo. (Figura A)
2. Retire (1) tornillo Phillips de la terminación de la consola lateral y retírelo.
3. Retire (2) tornillos de cabeza hexagonal de 3/8 in que sujetan la unidad central de fábrica y desconecte el cableado.
4. Corte y retire todas las lengüetas de montaje del **alojamiento del radio**, SALVO las lengüetas sombreadas. (Figura B)

Continuará al
ensamble del kit



(Figura A)

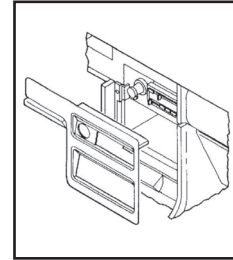


(Figura B)

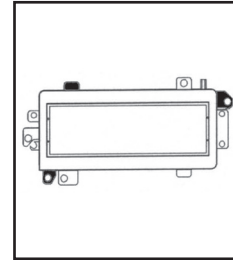
Dodge Spirit/Plymouth Acclaim 1989-1995

1. Desenganche la moldura del tablero bisel y quite. quite los tornillos asegurando el lado piezas decorativas de la consola. (Figura A)
2. Tira hacia la derecha recortar la pieza y quite (1) cabeza hexagonal perno expuesto.
3. Eliminar (1) fijación con perno de cabeza hexagonal la esquina inferior izquierda de la radio de fábrica y desconecte el cableado.
4. Corte y quite todas las lengüetas de montaje en el **carcasa del radio** EXCEPTO las pestañas sombreadas. (Figura B)

Continuará al
ensamble del kit



(Figura A)

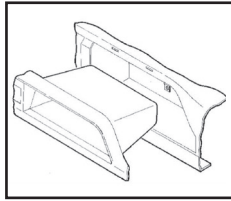


(Figura B)

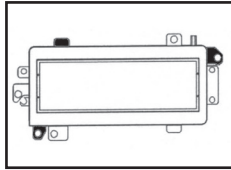
DESMONTAJE DEL TABLERO

Dodge Van/Plymouth Van 1978-2003

1. Abra la guantera y retire (2) Phillips tornillos expuestos.
2. Retire (5) Phillips tornillos de la parte inferior del tablero bisel de ajuste.
3. Suelte el borde superior de el bisel y retírelo.
4. Retire (2) cabezas hexagonales de 3/8" tornillos asegurando la radio de fábrica y desconecte el cableado.
5. Cortar y quitar todo pestañas de montaje en el **carcasa de radio** EXCEPTO las pestañas sombreadas.



(Figura A)



(Figura B)

Para 1998-2003 Dodge Van

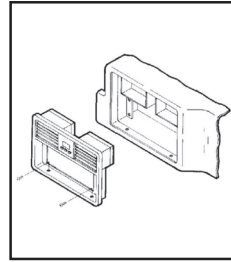
1. Desenganche y retire todo el panel que rodea cuadro de instrumentos y **radio**.
2. Quite los (2) tornillos de cabeza hexagonal de 3/8" que sujetan el radio de fábrica y desconecte el cableado.

Continuará al
ensamble del kit

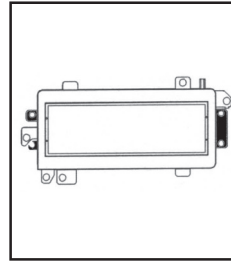
Ford Aerostar 1985-1991

1. Retire (2) tornillos Phillips de la base del panel del tablero. (Figura A)
2. Levante haciendo palanca en las (2) lengüetas que se encuentran en la parte superior del marco de terminación del radio y retire el radio. (Figura A)
3. Retire (4) tornillos que sujetan la unidad central de fábrica y desconecte el cableado.
4. Corte y retire todas las lengüetas de montaje del **alojamiento del radio**, SALVO las lengüetas sombreadas. (Figura B)

Continuará al
ensamble del kit



(Figura A)

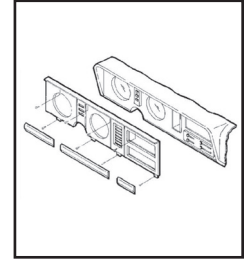


(Figura B)

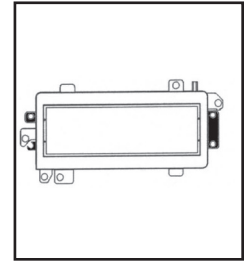
Ford Bronco II/Ranger (mini) 1985-1988

1. Quite los (4) tornillos Phillips del borde superior del bisel de la moldura del tablero. (Figura A)
2. Retire la perilla del interruptor de la luz, el encendedor y el cenicero.
3. Destrahe la moldura debajo del bisel de la moldura del tablero y quite los (4) tornillos expuestos. (Figura A)
4. Retire los (4) tornillos que sujetan el radio de fábrica, luego desconecte y retire el radio.
5. Corte y retire todas las lengüetas de montaje de la carcasa del radio, EXCEPTO las lengüetas sombreadas. (Figura B)

Continuará al
ensamble del kit



(Figura A)

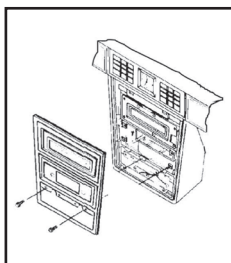


(Figura B)

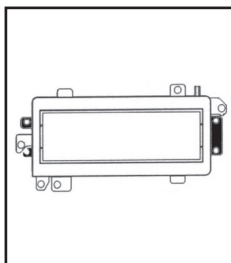
DESMONTAJE DEL TABLERO

Ford Crown Victoria/ LTD 1979-1990, Mercury Grand Marquis/Marquis 1979-1986

1. Abra el cenicero y retire (2) tornillos Phillips expuestos. (Figura A)
2. Retire el bisel ajuste de la rociada.
3. Retire (4) tornillos que sujetan la unidad central de fábrica y desconecte el cableado.
4. Corte y retire todas las lengüetas de montaje del **alojamiento del radio**, SALVO las lengüetas sombreadas. (Figura B)



(Figura A)

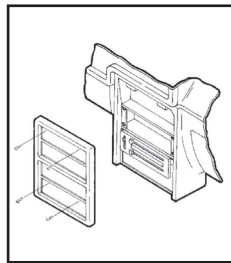


(Figura B)

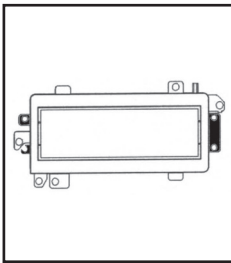
*Continuará al
ensamble del kit*

Ford Thunderbird/Mercury Cougar 1985-1988

1. Retire (2) tornillos de la parte superior del marco de terminación del tablero. (Figura A)
2. Abra el cenicero y retire (2) tornillos expuestos en el hueco del cenicero. (Figura A)
3. Retire el bisel ajuste de la rociada. Retire (4) tornillos que sujetan la unidad central de fábrica y desconecte el cableado.
4. Corte y retire todas las lengüetas de montaje del **alojamiento del radio**, SALVO las lengüetas sombreadas. (Figura B)



(Figura A)



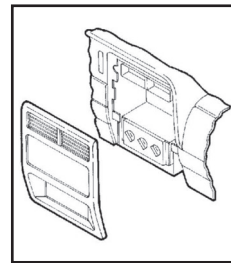
(Figura B)

*Continuará al
ensamble del kit*

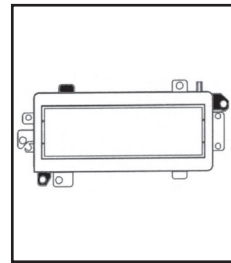
Jeep Cherokee 1997-2001

1. Desenganche el bisel ajuste de la rociada. (Figura A)
2. Retire (2) #10 tornillos de cabeza hexagonal que sujetan la unidad central de fábrica y desconecte el cableado.
3. Corte y retire todas las lengüetas de montaje del **alojamiento del radio**, SALVO las lengüetas sombreadas. (Figura B)

*Continuará al
ensamble del kit*



(Figura A)



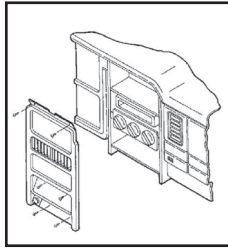
(Figura B)

DESMONTAJE DEL TABLERO

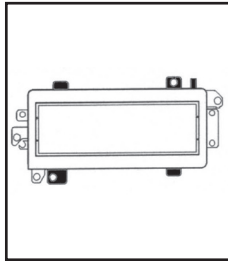
Jeep Grand Cherokee 1993-1995

1. Retire (2) tornillos Phillips de la parte inferior del marco de terminación del tablero. (Figura A)
2. Retire (2) tornillos Phillips que se encuentran arriba de la abertura del radio. (Figura A)
3. Retire (2) tornillos Phillips que se encuentran a la izquierda de la columna de la dirección. (Figura A)
4. Retire (1) tornillo Phillips que se encuentra a la derecha de la columna de la dirección. Desenganche el marco de terminación del tablero y desconecte el cableado. (Figura B)
5. Corte y retire todas las lengüetas de montaje del **alojamiento del radio**, SALVO las lengüetas sombreadas. (Figura B)

Continuará al
ensamble del kit



(Figura A)

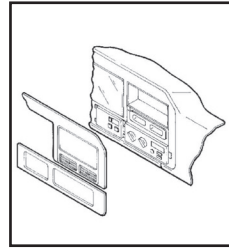


(Figura B)

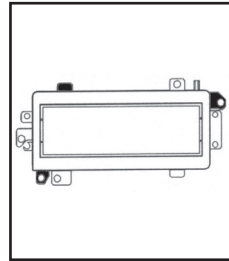
Jeep Grand Cherokee 1996-1998

1. Quite a presión el panel de terminación del control de clima/control del limpiaparabrisas y retírelo.
2. Retire (5) tornillos Phillips de la parte superior del marco de terminación del radio/grupo de instrumentos.
3. Retire (4) tornillos Phillips de la parte inferior del marco de terminación del radio/grupo de instrumentos.
4. Levante haciendo palanca en el borde inferior del marco y retírelo. (Figura A)
5. Retire (2) tornillos de cabeza hexagonal de 3/8 in que sujetan la unidad central de fábrica y desconecte el cableado.
6. Corte y retire todas las lengüetas de montaje del **alojamiento del radio**, SALVO las lengüetas sombreadas. (Figura B)

Continuará al
ensamble del kit



(Figura A)

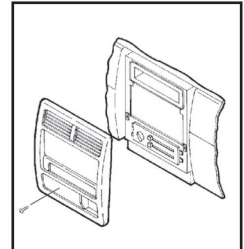


(Figura B)

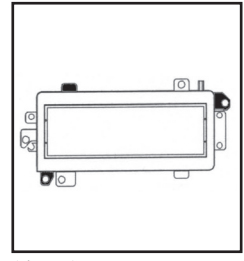
Jeep Wrangler 1997-2002

1. Retire el cenicero y (1) tornillo Phillips expuesto en el hueco del cenicero. (Figura A)
2. Levante haciendo palanca en la cubierta superior del panel de instrumentos y retire (2) tornillos Phillips expuestos. (Figura A)
3. Levante haciendo palanca en el borde inferior del marco de terminación del tablero y retírelo.
4. Retire (2) tornillos de cabeza hexagonal de 3/8 in que sujetan la unidad central de fábrica y desconecte el cableado.
5. Corte y retire todas las lengüetas de montaje del **alojamiento del radio**, SALVO las lengüetas sombreadas. (Figura B)

Continuará al
ensamble del kit



(Figura A)

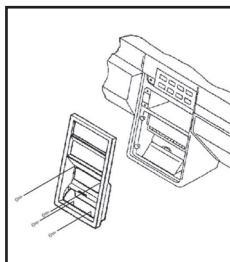


(Figura B)

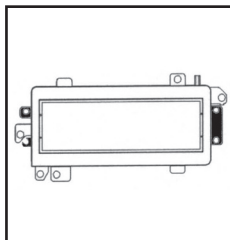
DESMONTAJE DEL TABLERO

Lincoln Continental 1985-1987

1. Retire (2) tornillos Phillips #8, encuentran debajo de la abertura del radio. (Figura A)
2. Abra el cenicero y retire (2) #8 tornillos Phillips (NO es necesario retirar el tornillo central). (Figura A)
3. Desenganche el marco de terminación del tablero y retírelo.
4. Retire (4) tornillos de cabeza hexagonal que sujetan la unidad central de fábrica y desconecte el cableado.
5. Corte y retire todas las lengüetas de montaje del **alojamiento del radio**, SALVO las lengüetas sombreadas. (Figura B)



(Figura A)



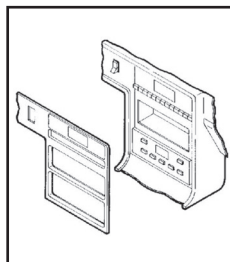
(Figura B)

*Continuará al
ensamble del kit*

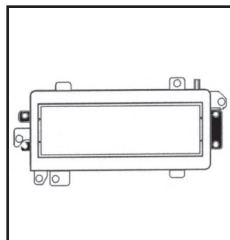
Lincoln Mark VII 1984-1989

1. Levante haciendo palanca en el marco de terminación del tablero y retírelo. (Figura A)
2. Retire (4) tornillos de cabeza hexagonal de 5mm que sujetan la unidad central de fábrica y desconecte el cableado.
3. Corte y retire todas las lengüetas de montaje del **alojamiento del radio**, SALVO las lengüetas sombreadas. (Figura B)

*Continuará al
ensamble del kit*



(Figura A)

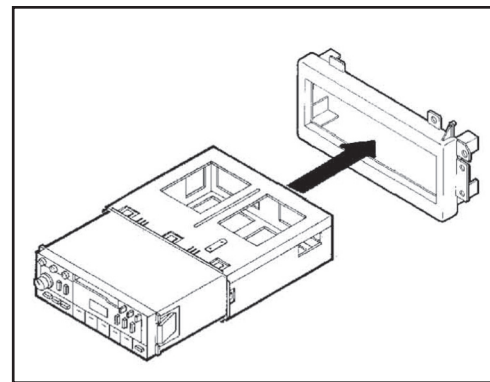


(Figura B)

ENSAMBLE DEL KIT

1. Deslice la jaula DIN en la carcasa de la radio y asegurar doblando las lengüetas de fijación metálicos hacia abajo.
2. Deslice la unidad principal del mercado de accesorios en la jaula hasta que quede firme. (Figura A)

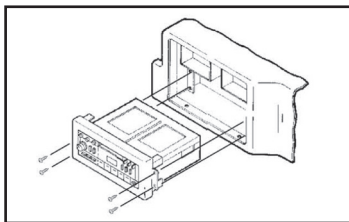
Continuar al ensablaje final



(Figura A)

ENSAMBLAJE FINAL

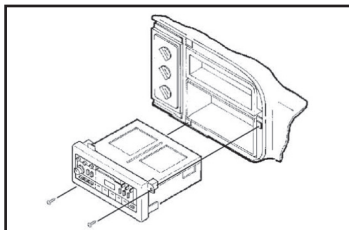
1. Localice el arnés de cableado de fábrica en el tablero. Metra recomienda utilizar el adaptador de acoplamiento adecuado de Metra o AXXESS.
2. Vuelva a conectar el terminal negativo de la batería y pruebe el radio para ver si funciona correctamente.



(Figura A)

Ford/Lincoln/Mercury

3. Monte el conjunto de unidad central/kit en el sub tablero con (4) tornillos que retiró previamente. (Figura A)
4. Vuelva a montar el tablero en forma inversa al desmontaje.

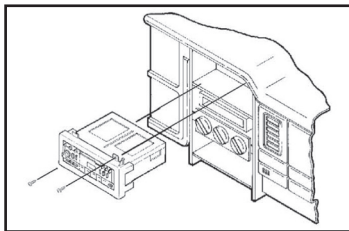


(Figura B)

Chrysler/Dodge/Plymouth/Eagle/Jeep

(excluyendo Grand Cherokee 1993-1995, Cirrus, Stratus, Breeze, Sebring, Avenger)

3. Monte el conjunto de unidad central/kit en el sub tablero con (2) tornillos de cabeza hexagonal de 3/8 in que retiró previamente. (Figura B)
4. Vuelva a montar el tablero en forma inversa al desmontaje.



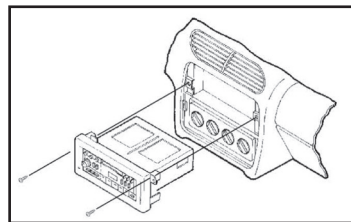
(Figura C)

Jeep Grand Cherokee 1993-1995

3. Monte el conjunto de unidad central/kit en el sub tablero con (2) tornillos que retiró previamente. (Figura C)
4. Vuelva a montar el tablero en forma inversa al desmontaje.

Chrysler Cirrus, Dodge Stratus, Plymouth Breeze

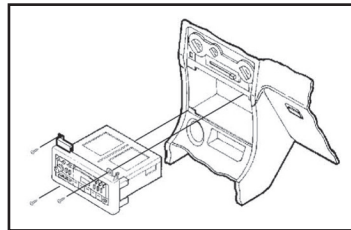
3. Monte el conjunto de unidad central/kit en el sub tablero con (2) tornillos que retiró previamente. (Figura D)
4. Vuelva a montar el tablero en forma inversa al desmontaje.



(Figura D)

Chrysler Sebring, Dodge Avenger

3. Retire el tornillo superior izquierdo del alojamiento del tablero de metal.
4. Monte el conjunto de unidad central/kit en el sub tablero con (2) tornillos que retiró previamente. (Figura E)
5. Vuelva a colocar el tornillo del alojamiento de metal a través del espaciador de soporte superior. (Figura E)
6. Vuelva a montar el tablero en forma inversa al desmontaje.



(Figura E)



¿Tienes dificultades? Estamos aquí para ayudar.



Póngase en contacto con nuestra
línea de soporte técnico en:
386-257-1187



O por correo electrónico a:
techsupport@metra-autosound.com

Horas de soporte técnico (hora estándar del este)

Monday - Friday: 9:00 AM - 7:00 PM

Saturday: 10:00 AM - 7:00 PM

Sunday: 10:00 AM - 4:00 PM



KNOWLEDGE IS POWER

Enhance your installation and fabrication skills by enrolling in the most recognized and respected mobile electronics school in our industry. Log onto www.installerinstitute.edu or call 386-672-5771 for more information and take steps toward a better tomorrow.



**Metra recomienda MECP
técnicos certificados**