



Land Rover: LR2 2008-2012 LR3 2005-2009 Range Rover Sport 2006-2009

Visit MetraOnline.com for more detailed information about the product and up-to-date vehicle specific applications

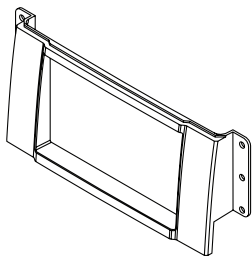
KIT FEATURES

- ISO DDIN radio provision
- Painted scratch resistant matte black

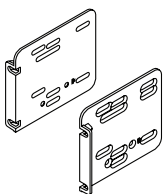
KIT COMPONENTS

- A) Radio trim panel • B) Radio brackets • C) Filler trim piece • D) #8 x 3/8" Phillips screws (4)

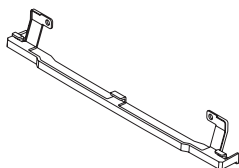
A



B



C



D



TABLE OF CONTENTS

Dash Disassembly	2
Kit Assembly	3

WIRING & ANTENNA CONNECTIONS (sold separately)

Wiring Harness: See metraonline.com for wiring harness options
Antenna Adapter: 40-EU10

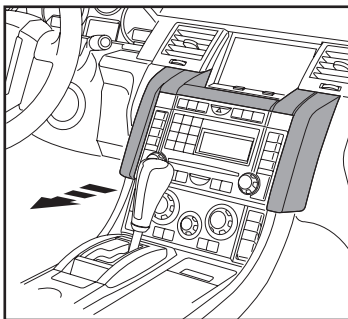
TOOLS REQUIRED

- Panel removal tool • Phillips screwdriver

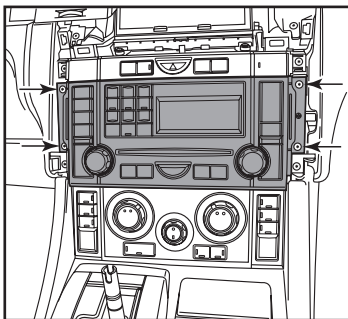
Attention! With the key out of the ignition, disconnect the negative battery terminal before installing this product. Ensure that all installation connections are secure before cycling the ignition to test this product.

DASH DISASSEMBLY

1. Unclip and remove the dash panel surrounding the radio. (Figure A)
2. Remove (4) screws securing the radio. (Figure B)
3. Pull down on the collar under the shift knob, then pull up on the shift knob to remove it. (Figure C)
4. Remove (2) screws securing the center console. Unclip, unplug and remove the center console panel. (Figure D)



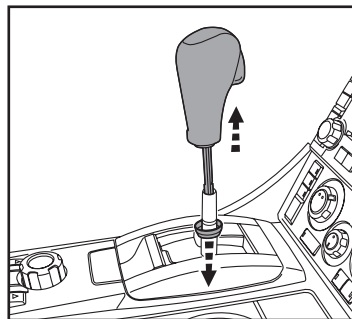
(Figure A)



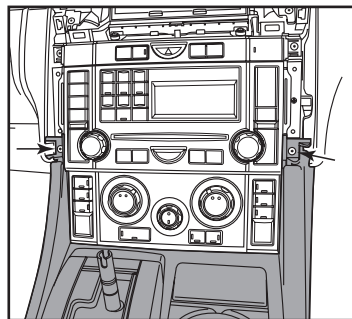
(Figure B)

5. Remove the (2) screws securing the climate control panel.
6. Pull the radio and the climate controls out slightly. The climate control does not need to be completely removed.
7. Unclip and remove the radio.

Continue to Kit Assembly



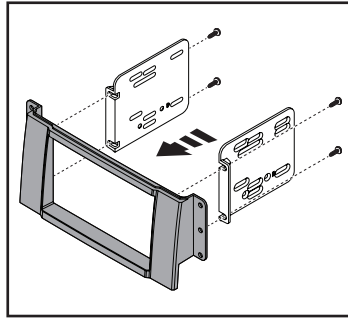
(Figure C)



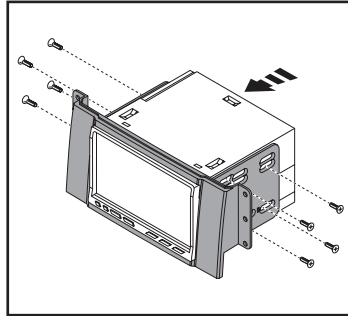
(Figure D)

KIT ASSEMBLY

1. Attach the **radio brackets** to the **radio trim panel** using (4) #8 x 3/8" Phillips screws supplied. (Figure A)
2. Slide the radio into the completed assembly, and then secure it to the assembly using screws supplied with the radio. (Figure B)
3. Locate the factory wiring harness and antenna connector in the dash, and complete all necessary connections to the radio. Metra recommends using the proper mating adapter from Metra and/or AXXESS. Test the radio for proper operation.
4. Reassemble the dash in reverse order of disassembly.



(Figure A)

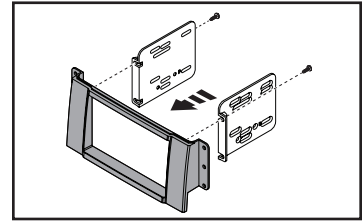


(Figure B)

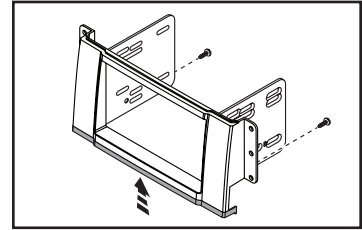
Range Rover Sport

(select models with factory 6-disc changer)

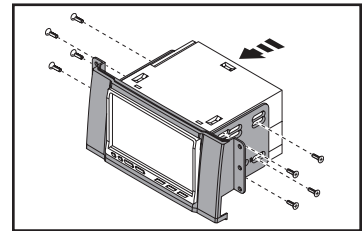
1. Attach the **radio brackets** to the **radio trim panel** using (2) #8 x 3/8" Phillips screws supplied to the upper holes. (Figure A)
2. Slide the **filler trim piece** onto the underside of the **radio trim panel** from the back. The mounting tabs cover the flange of the **radio brackets** and align with the lower screw holes. Using the remaining (2) #8 x 3/8" Phillips screws, attach the **filler trim piece** and the **radio brackets** to the **radio trim panel** (Figure B)
3. Locate the factory wiring harness and antenna connector in the dash, and complete all necessary connections to the radio. Metra recommends using the proper mating adapter from Metra and/or AXXESS. Test the radio for proper operation.
4. Reassemble the dash in reverse order of disassembly.



(Figure A)



(Figure B)



(Figure C)



95-9406B
INSTALLATION INSTRUCTIONS



Having difficulties? We're here to help.



Contact our Tech Support line at:

386-257-1187



Or via email at:

techsupport@metra-autosound.com

Tech Support Hours (Eastern Standard Time)

Monday - Friday: 9:00 AM - 7:00 PM

Saturday: 10:00 AM - 7:00 PM

Sunday: 10:00 AM - 4:00 PM



KNOWLEDGE IS POWER

Enhance your installation and fabrication skills by enrolling in the most recognized and respected mobile electronics school in our industry. Log onto www.installerinstitute.edu or call 386-672-5771 for more information and take steps toward a better tomorrow.



**Metra recommends MECP
certified technicians**