



Subaru Forester/Impreza 2008-2014

Visit MetraOnline.com for more detailed information about the product and up-to-date vehicle specific applications

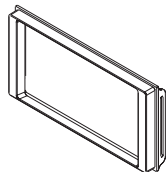
KIT FEATURES

- ISO DDIN radio provision

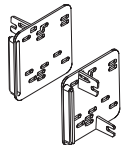
KIT COMPONENTS

- A) Radio Housing • B) Radio Brackets

A



B



APPLICATIONS

Subaru

Forester (with DVD Based NAV)	2009-2013	Impreza	2008-2011	Impreza WRX (without NAV)	2013-2014
Forester (without NAV)	2009-2013	Impreza Outback Sport	2011	Impreza WRX STI	2008-2012

TABLE OF CONTENTS

Dash Disassembly	2
Kit Assembly	3

WIRING & ANTENNA CONNECTIONS (sold separately)

Wiring Harness: Visit MetraOnline.com
for wiring harness options

Antenna Adapter: Visit MetraOnline.com
for antenna adapter options

TOOLS REQUIRED

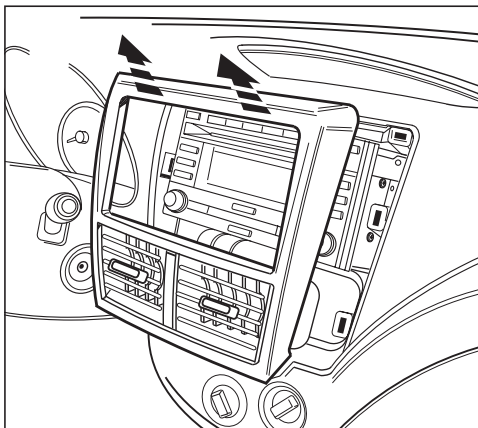
- Panel removal tool • Phillips screwdriver

Attention! Let the vehicle sit with the key out of the ignition for a few minutes before removing the factory radio. When testing the aftermarket equipment, ensure that all factory equipment is connected before cycling the key to ignition.

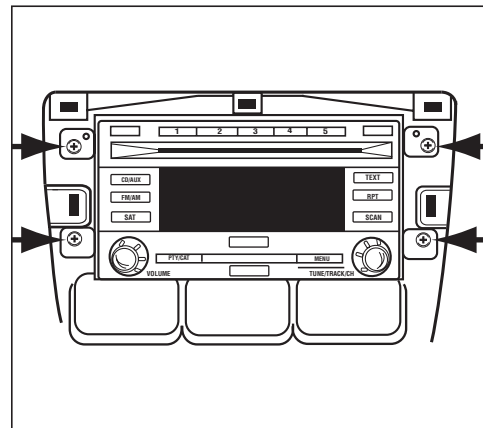
DASH DISASSEMBLY

1. Unclip and remove the trim panel surrounding the factory radio including the A/C vents. (Figure A)
2. Remove (4) Phillips screws securing the radio. Unplug and remove the radio.

Continue to Kit Assembly



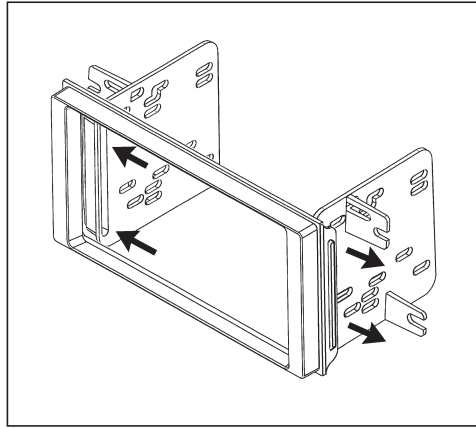
(Figure A)



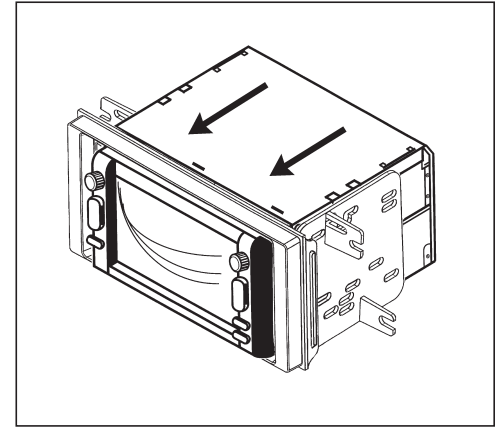
(Figure B)

KIT ASSEMBLY

1. Snap the *radio brackets* to the inside edge of the *radio housing*. (Figure A)
2. Slide the radio into the bracket/housing assembly and secure the radio to the assembly using the screws supplied with the radio. (Figure B)
3. Locate the factory wiring harness and antenna connector in the dash and complete all necessary connections to the radio. Metra recommends using the proper mating adapter from Metra or AXXESS. Test the radio for proper operation.
4. Reassemble the dash in reverse order of disassembly to complete the installation.



(Figure A)



(Figure B)



95-8902
INSTALLATION INSTRUCTIONS



If you are having difficulties with the installation of this product, contact our Tech Support line either by phone at **1-800-253-TECH**, or email at **techsupport@metra-autosound.com**. Before doing so, look over the instruction booklet a second time and ensure that the installation was performed exactly as the instruction booklet is stated. Have the vehicle apart and ready to perform troubleshooting steps before contacting Metra/Axxess Tech Support.



KNOWLEDGE IS POWER

Enhance your installation and fabrication skills by enrolling in the most recognized and respected mobile electronics school in our industry. Log onto www.installerinstitute.com or call 800-354-6782 for more information and take steps toward a better tomorrow.



Metra recommends MECP certified technicians