



INSTALLATION INSTRUCTIONS FOR PART 89-9400

APPLICATIONS

LAND ROVER Discovery / Discovery II 1994-2004

89-9400



KIT FEATURES

DIN Head unit provision

KIT COMPONENTS

A) Trim Plate

A



TOOLS REQUIRED:

86-9001 Radio Removal Tool



TABLE OF CONTENTS:

Dash Disassembly	1
Kit Assembly	2
Final Assembly	3



1-800-221-0932



www.metraonline.com

© COPYRIGHT 2004 METRA ELECTRONICS CORPORATION



89-9400

LAND ROVER DISCOVERY AND DISCOVERY II

DASH DISASSEMBLY

- 1 Disconnect the negative battery terminal to prevent an accidental short circuit.
- 2 Insert the long ends of the 86-9001 into the slots on the factory radio and pull out to remove. **(Figure A)**

A



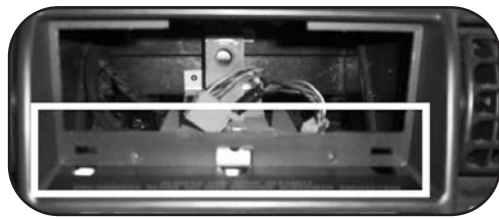


89-9400

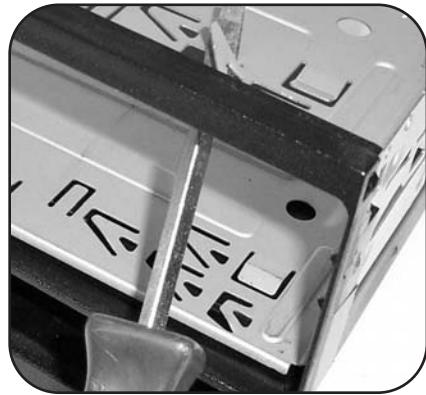
KIT ASSEMBLY

- 1** Snap the 89-9400 trim plate into the bottom of the sub-dash opening.
(Figure A)
- 2** Slide the DIN cage into the space above the 89-9400 and secure by bending the metal locking tabs outward.
(Figure B)
- 3** Slide the aftermarket head unit into the DIN cage until secure.

A



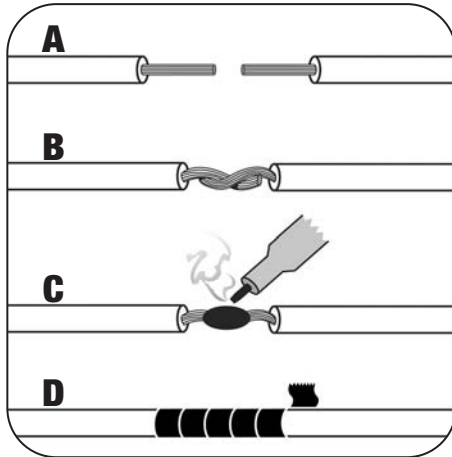
B





89-9400

FINAL ASSEMBLY



- A) Strip wire ends back 1/2"**
- B) Twist ends together**
- C) Solder**
- D) Tape**

- 1** Locate the factory wiring harness in the dash. Metra recommends using the proper mating adapter and making the connections as shown. (Isolate and individually tape off the ends of any unused wires to prevent electrical short circuit)

- 2** Re-connect the negative battery terminal and test the unit for proper operation.

- 3** Reassemble radio and dash assemblies in reverse order of disassembly.