

KICKER.

CX

AMPLIFIERS

Owner's Manual

CXA360.4

Manual del Propietario | **Español**
AMPLIFICADOR DEL LA SERIE CX.4

Benutzerhandbuch | **Deutsch**
VERSTÄRKER DER CX.4-SERIE

Manuel d'utilisation | **Française**
AMPLIFICATEUR DE SÉRIE CX.4



CX.4-SERIES AMPLIFIERS OWNER'S MANUAL

MODEL: **CXA360.4**

Authorized KICKER Dealer: _____

Purchase Date: _____

Serial Number: _____

WARNING: KICKER products are capable of producing sound levels that can permanently damage your hearing! Turning up a system to a level that has audible distortion is more damaging to your ears than listening to an undistorted system at the same volume level. The threshold of pain is always an indicator that the sound level is too loud and may permanently damage your hearing. Please use common sense when controlling volume.

PERFORMANCE

Model:	CXA360.4
RMS Power	
@ 14.4V, 4 Ω stereo, \leq 1% THD+N	65W x 4
@ 14.4V, 2 Ω stereo, \leq 1% THD+N	90W x 4
@ 14.4V, 4 Ω mono, \leq 1% THD+N	180W x 2
Length [in, cm]	12-7/16, 32
Height [in, cm]	2-3/8, 5.9
Width [in, cm]	6-3/4, 17
Frequency Response [Hz]	10 – 20k
Signal-to-noise Ratio [dB]	>95, A-weighted, re: rated power
Input Sensitivity	Low Level: 125mV–5V High Level: 1V–40V
Electronic Crossover	HI, LO or OFF; Variable 50–200Hz @ 12dB/Octave
KickEQ™ Bass Boost	Variable 0–6dB @ 40Hz
Remote Bass	Yes (sold separately)

Pro Tip: To get the best performance from your new KICKER Amplifier and extend the warranty by 1 year, use genuine KICKER accessories and wiring.

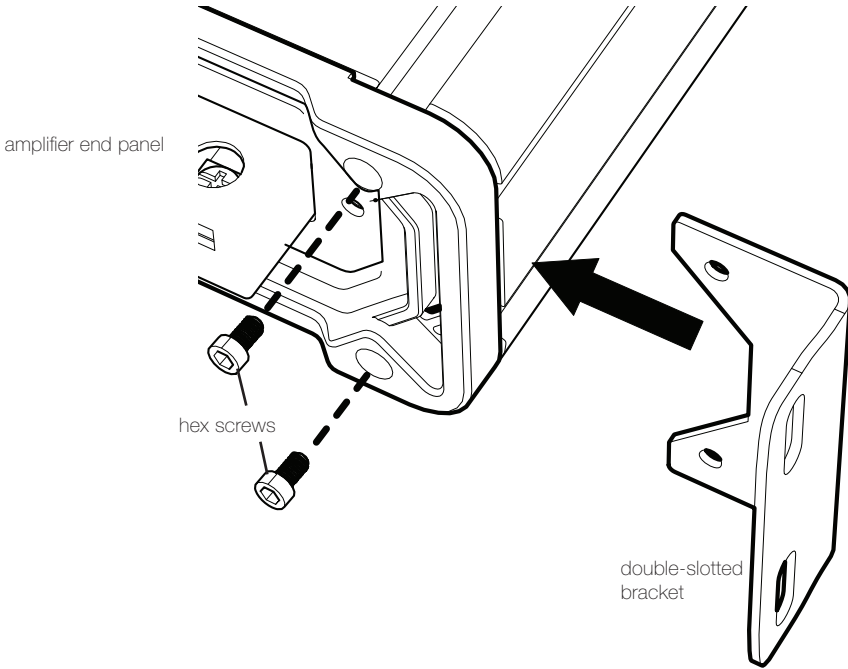
INSTALLATION

Mounting: Choose a structurally sound location to mount your KICKER amplifier. Make sure there are no items behind the area where the screws will be driven. Choose a location that allows at least 4" (10cm) of open ventilation for the amplifier. If possible, mount the amplifier in the climate-controlled passenger compartment. Drill four holes using a 7/64" (3mm) bit and use the supplied #8 screws to mount the amplifier.

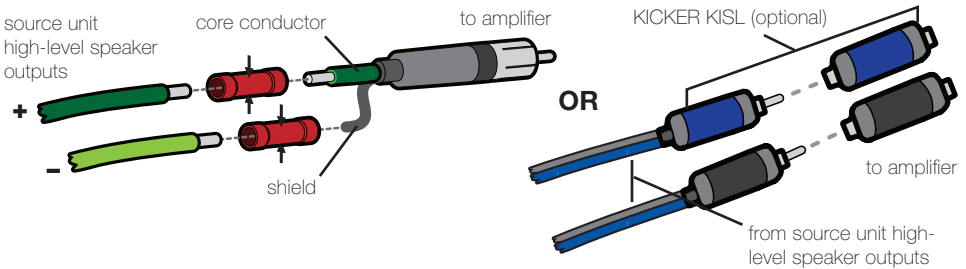
The KICKER CX Amplifiers are capable of space-saving vertical mounting. Use a 2.5mm hex key (Allen wrench) to loosen the endpanel, remove the existing brackets, then insert and tighten the double-slotted brackets to the amplifier as illustrated on the next page.

Wiring: Disconnect the vehicle's battery to avoid an electrical short. Then, connect the ground wire to the amplifier. Make the ground wire short, 24" (60cm) or less, and connect it to a paint-and-corrosion-free, solid, metal area of the vehicle's chassis. Adding an additional ground wire of this same gauge (or larger) between the battery's negative post and the vehicle chassis is recommended.

VERTICAL MOUNTING



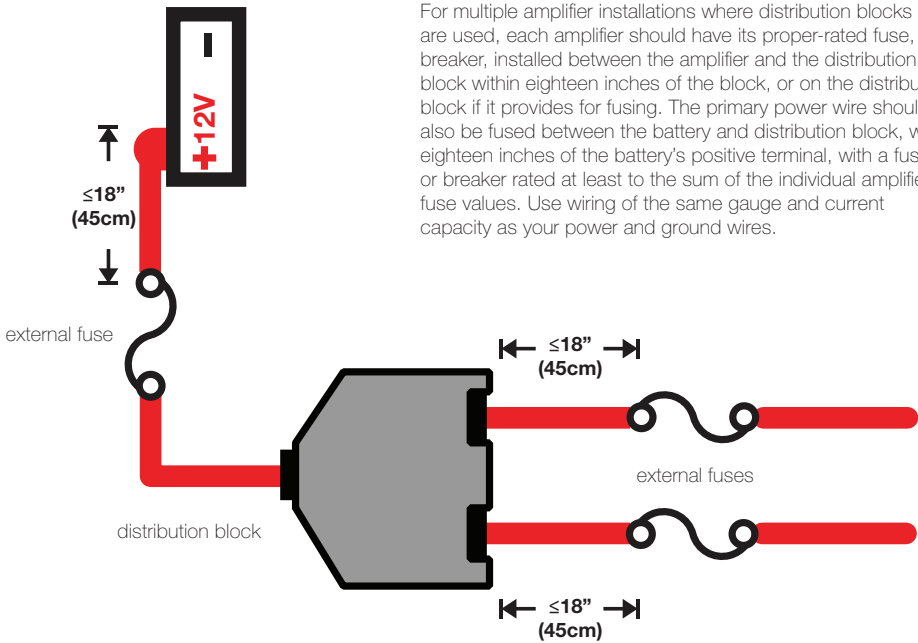
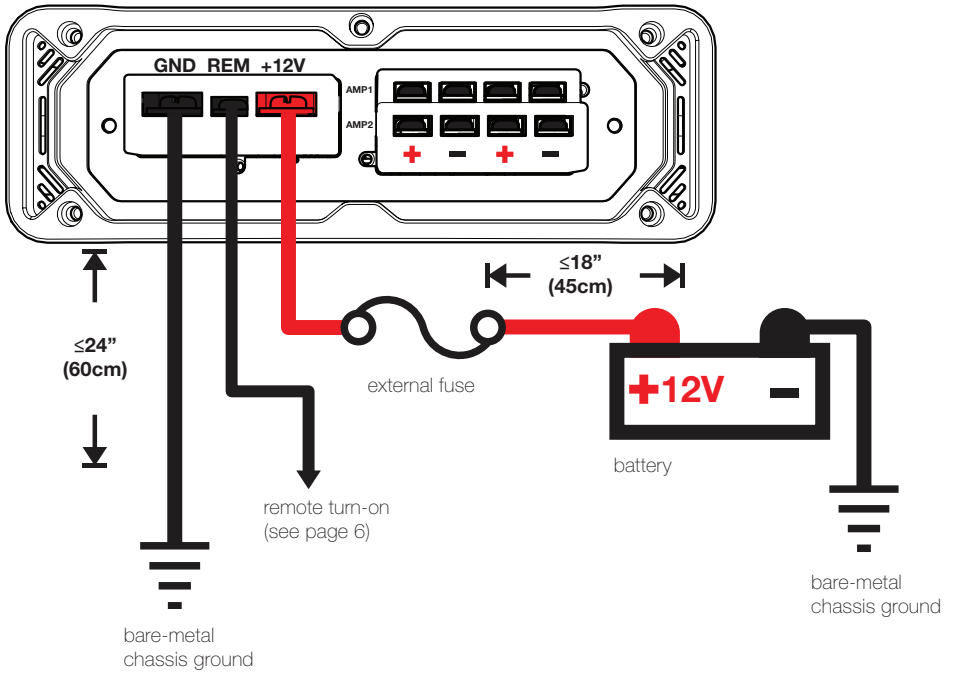
The CX amplifier has dual input sensitivity differential RCA inputs which will receive either high or low level signals from your car stereo's source unit. A high-level signal can be run from the source unit's speaker outputs to the stereo RCA input on the end panel of the amplifier using the KICKER KISL as shown (make sure you set the CX amplifier's input level switch to "HI"). Alternatively, the signal can be delivered to the amplifier using the low-level RCA outputs on the source unit. Keep the audio signal cable away from factory wiring harnesses and other power wiring. If you need to cross this wiring, cross it at a 90 degree angle.



Install a fuse within 18" (45cm) of the battery and in-line with the power cable connected to your amplifier. If you ever need to remove the amplifier from the vehicle after it has been installed, the ground wire should be the last wire disconnected from the amplifier-just the opposite as when you installed it.

Model	External Fuse (sold separately)	Power/Ground Wire	KICKER Wiring Kit
CXA360.4	1 x 40 Ampere	8 Gauge	PK8, CK8

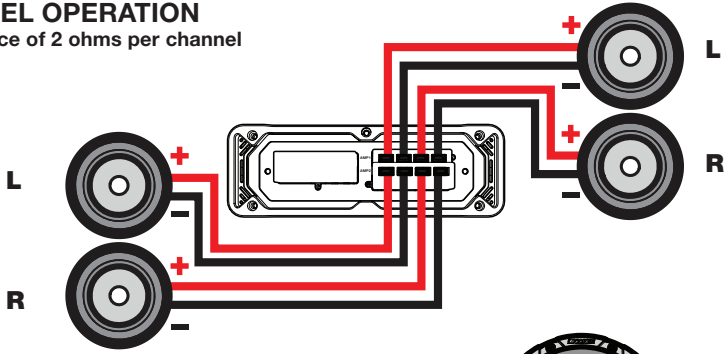
POWER WIRING



For multiple amplifier installations where distribution blocks are used, each amplifier should have its proper-rated fuse, or breaker, installed between the amplifier and the distribution block within eighteen inches of the block, or on the distribution block if it provides for fusing. The primary power wire should also be fused between the battery and distribution block, within eighteen inches of the battery's positive terminal, with a fuse or breaker rated at least to the sum of the individual amplifier's fuse values. Use wiring of the same gauge and current capacity as your power and ground wires.

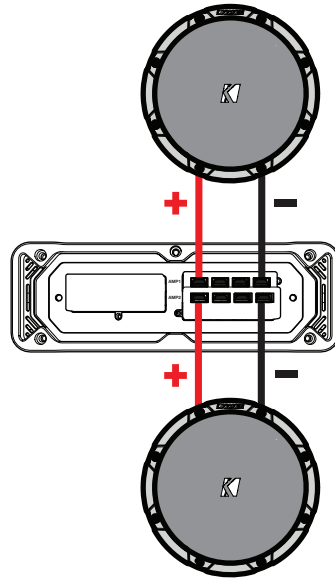
FOUR CHANNEL OPERATION

minimum impedance of 2 ohms per channel



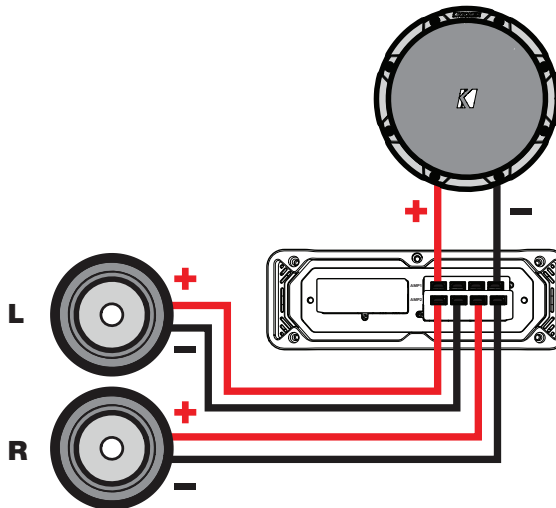
BRIDGED OPERATION (MONO)

minimum impedance of 4 ohms

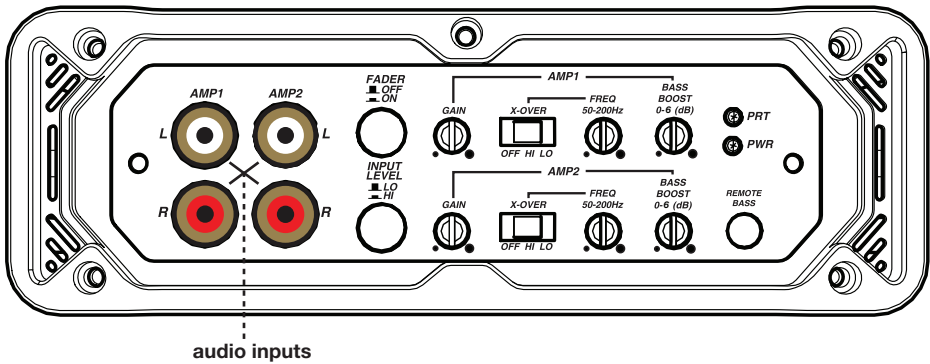


STEREO-AND-MONO-SIMULTANEOUSLY (SAMS) OPERATION

minimum impedance of 4 ohms bridged (mono) and 2 ohms per channel stereo



OPERATION



Automatic Turn-On Selection: The CX series offers two automatic turn-on modes; +12V and DC Offset.

- Remote Turn-On: Run 18 gauge wire from the Remote Turn-On Lead on your source unit to the terminal labeled REM between the amplifier's positive and negative power terminals.
- DC Offset Turn-On: The DC Offset mode detects a >2.5V DC offset from the HI-Level speaker outputs when the source unit has been turned on.

Input Level: The RCA inputs on KICKER CX amplifiers are capable of receiving either Hi or Low-level signals from your source unit. If the only output available from your source unit is a Hi-Level signal, simply press in the Input Level switch on the amplifier. Refer to the wiring section of this manual for additional instructions.

Crossover Switch: Use the XOVER switch on the end panel of the amplifier to set the internal crossover to OFF, HI or LO. When the switch is set to OFF, a full bandwidth signal will be amplified. Set the switch to HI if you want the amplifier's internal crossover to serve as a high-pass filter. Set the switch to LO if you want the amplifier's internal crossover to serve as a low-pass filter. Never change the crossover "OFF/HI/LO" switch setting with the audio system on!

Crossover Control: The variable crossover on the front of the CXA360.4 allows you to adjust the crossover frequency from 50–200Hz. The setting for this control is subjective; 80Hz is a good place to start.

Fader Switch: Depress the fader switch if you are running two sets of inputs (front and rear for example) to the amplifier. Leave the fader switch OFF if you want to drive all channels from a single stereo input.

Input Gain Control: The input gain control is not a volume control. It matches the output of the source unit to the input level of the amplifier. Maximum power out of the amplifier is possible with the gain in the lowest position. Incorrectly setting the gain can result in distorted output or damage to, and premature failure of, your speakers. For a quick setup, turn the source unit up to about 3/4 volume (if the source unit goes to 30, turn it to 25). Slowly turn up (clockwise) the gain on the amplifier until you can hear audible distortion, then turn it down a little.

To use the preferred method of setting the input gain using a voltmeter or oscilloscope, begin by turning off the amplifier and disconnecting all speakers from it. Turn the gain knob completely off (counterclockwise) and all crossovers off, or to their least effective setting. Turn the bass boost knob completely off (counterclockwise). If a remote bass accessory is connected to the amplifier, turn it completely on (clockwise). Ensure all EQ and DSP settings on the source unit such as bass, treble, fader, seating position etc are set to linear, flat, center, or off. Turn on the amplifier. Play a 0dB sine wave through your source unit and increase the volume to about 3/4 of maximum. Sine wave tracks can be downloaded for free from KICKER.com under the "Support" tab. Use the 50Hz sine wave to set the gain for a subwoofer and the 1kHz sine wave for full-range speakers. Set your voltmeter or oscilloscope to measure AC voltage. Place the voltmeter's probes on the amplifier's speaker output terminals. With the sine wave playing, slowly turn the gain knob clockwise and watch the AC voltage on the voltmeter increase. When the desired voltage is shown (reference power chart insert), or you start to see the waveform square off stop increasing the gain, turn the amplifier off, reconnect all speakers and set the crossovers to your desired setting. Your gain is now set for maximum unclipped power from the amplifier. If you increase amplitude using settings on the source unit or the bass boost on the amplifier it will introduce distortion and you will need to redo these steps.

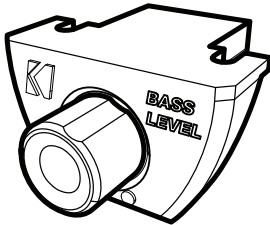
Bass Boost Control: The variable bass boost control on the side of the CXA360.4 amplifier is designed to give you increased output, 0–6dB, at 40Hz. The setting for this control is subjective. If you turn it up, you must readjust the input gain control to avoid clipping the amplifier.

Remote Bass-CXARC (not included): With the CXARC remote bass level control, you have the ability to attenuate the output level of AMP2 remotely (*AMP2 must be in LO-PASS X-OVER mode*). To surface-mount the CXARC remote bass level control, simply screw the remote to the chosen location, then run the cable from the controller to the "Remote Bass" jack on the amplifier panel. Do **NOT** connect/disconnect while the amplifier is on. Connecting the 3.5mm cable without the remote knob will cause the amplifier to output at full gain, possibly damaging your speakers.

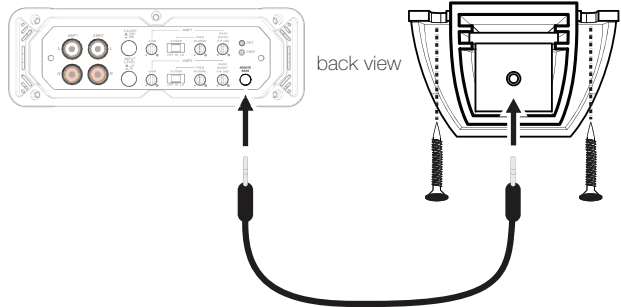
CXARC REMOTE BASS INSTALLATION

(Optional - CXARC not included.)

Surface-mount the CXARC remote using the supplied screws.



Remote cable passes audio; do not run cable parallel to power wires. Remote controls AMP2 output.



Connect the supplied 1/8th inch [3.5mm] patch cable to the CXARC remote and the Remote Bass jack on the amplifier

TROUBLESHOOTING

If your amplifier does not appear to be working, check the obvious things first such as blown fuses, poor or incorrect wiring connections, incorrect setting of crossover switch and gain controls, etc. There are Power (PWR) & Protection (PRT) LEDs on the side panel of your Kicker CX series amplifier. Depending on the state of the amplifier and the vehicle's charging system, the LEDs will glow either green or red. When the green LED is lit, this indicates the amplifier is turned on and no trouble exists.

Green LED off, no output? With a Volt Ohm Meter (VOM) check the following: **1** +12 volt power terminal (should read +12V to +16V) **2** Remote turn-on terminal (should read +12V to +16V) **3** Check for reversed power and ground connections **4** Ground terminal, for proper conductivity.

Green LED on, no output? Check the following: **1** RCA connections **2** Test speaker outputs with a "known" good speaker. **3** Substitute source unit with a "known" good source unit. **4** Check for a signal in the RCA cable feeding the amplifier with the VOM meter set to measure "AC" voltage.

Red LED flickering with loud music? The red LED indicates low battery voltage. Check all the connections in your vehicle's charging system. It may be necessary to replace or charge your vehicle's battery or replace your vehicle's alternator.

Red LED on, no output? **1** Amplifier is very hot = thermal protection is engaged. Test for proper impedance at the speaker terminals with a VOM meter (see the diagrams in this manual for minimum recommended impedance and multiple speaker wiring suggestions). Also check for adequate airflow around the amplifier. **2** Amplifier shuts down = voltage protection circuitry is engaged. Voltage to the amplifier is not within the 8–16 volt operating range. Have the vehicle's charging and electrical system inspected. **3** Amplifier will only play at low volume levels = short circuit protection is engaged. Check for speaker wires shorted to each other or to the vehicle chassis. Check for damaged speakers or speaker(s) operating below the minimum recommended impedance.

No or low output? **1** Check the balance and fader controls on source unit **2** Check the RCA (or speaker input) and speaker output connections.

Alternator noise-whining sound with engine's RPM? ① Check for damaged RCA (or speaker input) cable ② Check the routing of RCA (or speaker input) cable ③ Check the source unit for proper grounding ④ Check the gain settings and turn them down if they are set too high.

Ground Noise? KICKER amplifiers are engineered to be fully compatible with all manufacturers' head units. Some head units may require additional grounding to prevent noise from entering the audio signal. If you are experiencing this problem with your head unit, in most cases running a ground wire from the RCA outputs on the head unit to the chassis will remedy this issue.

CAUTION: When jump starting the vehicle, be sure that connections made with jumper cables are correct. Improper connections can result in blown amplifier fuses as well as the failure of other critical systems in the vehicle.

If you have more questions about the installation or operation of your new KICKER product, see the Authorized KICKER Dealer where you made your purchase. For more advice on installation, click on the SUPPORT tab on the KICKER homepage, www.kicker.com. Choose the TECHNICAL SUPPORT tab, choose the subject you are interested in, and then download or view the corresponding information. Please E-mail support@kicker.com or call Technical Services (405) 624-8583 for unanswered or specific questions.



KICKER will now provide a three-year warranty with all CX-Series Amplifier purchases paired with a qualifying KICKER Installation Kit* .

This extends the standard warranty by an additional year. *Amplifier and Kit must be purchased from an Authorized KICKER Dealer.*

KICKER CX amplifier success is currently at an unheard-of rate, making the extended warranty program even more beneficial to you.

Using poor-quality, under-spec wiring kits will impede CX amplifier performance.

A superior-quality KICKER installation Kit is guaranteed to extend the life of CX amplifiers.

The new extended warranty applies only to KICKER amplifiers and accessories sold to consumers by Authorized KICKER Dealers in the United States of America or its possessions. It also only applies to the original purchaser of KICKER amplifiers and accessories. One warranty extension per amplifier is allowed regardless of the number of amplifier installation kits purchased. This program does not apply to "B"-stock product or factory-refurbished product.

This offer is for a limited time, so see your local Authorized KICKER Dealer soon for details.

***U.S.A. Only | EE.UU. solamente | Nur USA | Les USA Seulement**



CXA360.4

65 x 4 @ 4 ohms, 14.4VDC, 1% THD, CEA-2006B (Watts)
Signal to Noise Ratio -75dB CEA-2006B (ref: 1W, A-weighted)

Distribuidor autorizado de KICKER: _____

Fecha de compra: _____

Número de serie del amplificador: _____

ADVERTENCIA: Los excitadores KICKER son capaces de producir niveles de sonido que pueden dañar permanentemente el oído. Subir el volumen del sistema hasta un nivel que produzca distorsión es más dañino para el oído que escuchar un sistema sin distorsión al mismo volumen. El dolor es siempre una indicación de que el sonido es muy fuerte y que puede dañar permanentemente el oído. Sea precavido cuando controle el volumen.

RENDIMIENTO

Modelo:**CXA360.4**

Potencia RMS

@ 14.4V, 4Ω estéreo, ≤ 1% THD+N

65W x 4

@ 14.4V, 2Ω estéreo, ≤ 1% THD+N

90W x 4

@ 14.4V, 4Ω puente, ≤ 1% THD+N

180W x 2

Largo [in. cm]

12-7/16, 32

Altura [in. cm]

2-3/8, 5.9

Ancho [in. cm]

6-3/4, 17

Respuesta de frecuencias [Hz]

10 – 20k

Relación de señal a ruido [dB]

>95dB, ponderado en A, ref: potencia nominal

Sensibilidad de entrada

Baja Nivel: 125mV–5V

Alto Nivel: 1mV–40V

Separador de frecuencia electrónico

Seleccionable: HI, LO u OFF;
50–200Hz variable, 12dB/Octava

KickEQ™ Refuerzo de Bajos

0–6dB @ 40Hz variable

Grave remoto

Sí [se vende por separado]

Nota: Para obtener el mejor rendimiento de sus nuevos amplificadores KICKER, le recomendamos que use accesorios y cableado KICKER auténticos.

INSTALLATION

Montaje: Escoja un lugar estructuralmente sólido para montar el amplificador KICKER. Asegúrese de que no haya nada por detrás de dónde van a entrar los tornillos. Escoja un lugar en que queden por lo menos 4 plg. (10 cm) de espacio abierto de ventilación alrededor del amplificador. Si es posible, monte el amplificador en el compartimiento de pasajeros, con ambiente acondicionado. Haga cuatro agujeros con una broca de 7/64 de plg. (3 mm) y monte el amplificador con los tornillos N° 8 que se suministran.

Los Amplificadores CX de KICKER se pueden instalar verticalmente para ahorrar espacio. Use una llave hexagonal de 2,5mm (llave Allen) para aflojar el panel de fondo, quite los soportes existentes, luego inserte y apriete los soportes de doble ranura al amplificador como se ilustra en la siguiente página.

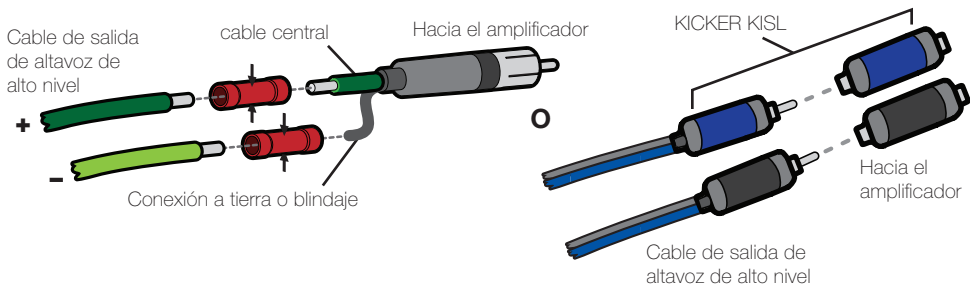
Cableado: Desconecte la batería del vehículo para evitar cortocircuitos. Luego, conecte un cable de conexión a tierra al amplificador. El cable de conexión a tierra debe ser corto, de 24 plg. (60 cm) o menos, y debe ir conectado a un punto sólido del chasis del vehículo en que no haya ni pintura ni corrosión. También se recomienda instalar un cable de conexión a tierra adicional, de este mismo calibre (o de mayor calibre), entre la terminal negativa de la batería y el chasis del auto.

panel de fondo del amplificador

tornillos hexagonales

soporte de doble ranura

El amplificador CX tiene entradas RCA diferenciales de doble sensibilidad de entrada que reciben señales de alto nivel o bajo nivel de la unidad fuente del sistema estereofónico del automóvil. La señal se puede llevar al amplificador desde las salidas de altavoz de alto nivel de la unidad fuente. Fije el selector de nivel de entrada del panel de extremo del amplificador en la posición de alto (HI). Engarce y suelde conectores RCA al extremo del cable de altavoz procedente de las salidas de altavoz de alto nivel de la unidad fuente y conéctelo a las entradas RCA del panel de extremo del amplificador o *simplificar la instalación mediante un KISL KICKER como se muestra a continuación*. Como alternativa, puede conectar producción de su unidad fuente a las entradas RCA del amplificador CX RCA. Mantenga el cable de señal de audio alejado de los arneses de cableado de fábrica y otros cables de alimentación. Si es necesario cruzar este cableado, crúcelo en un ángulo de 90°.



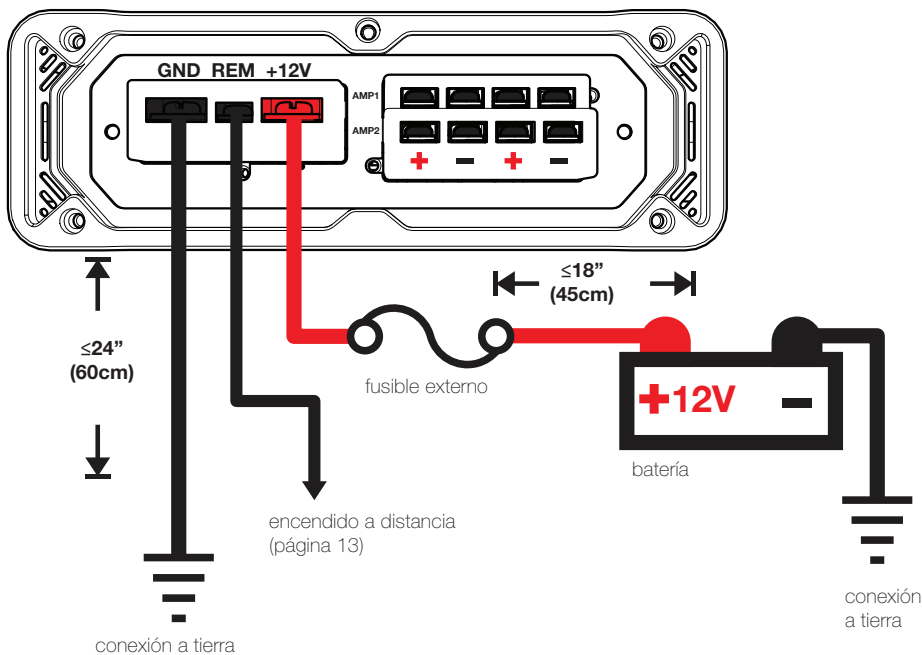
Instale un fusible a menos de 18 plg. (45 cm) de la batería y en línea con el cable de alimentación conectado al amplificador. Si alguna vez necesita desmontar el amplificador, el cable de conexión a tierra debe ser el último que se desconecte del amplificador. Exactamente lo contrario de lo que se hace cuando se instala.

Modelo **Fusible Externo** **Cable de Alimentación** **Kit de cableado**
 (no incluido) **y Conexión a Tierra** **KICKER**

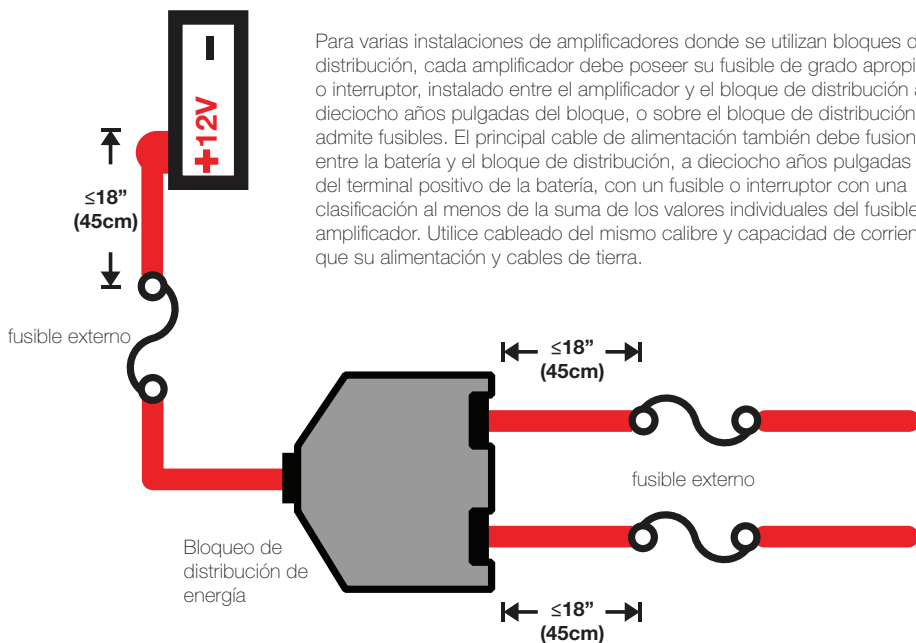
CXA360.4 1 x 40 Ampere

Calibre 8

PK8, CK8

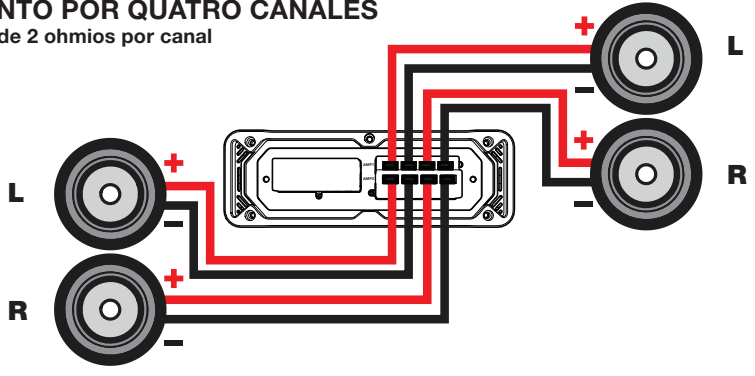


Para varias instalaciones de amplificadores donde se utilizan bloques de distribución, cada amplificador debe poseer su fusible de grado apropiado, o interruptor, instalado entre el amplificador y el bloque de distribución a dieciocho años pulgadas del bloque, o sobre el bloque de distribución si admite fusibles. El principal cable de alimentación también debe fusionarse entre la batería y el bloque de distribución, a dieciocho años pulgadas del terminal positivo de la batería, con un fusible o interruptor con una clasificación al menos de la suma de los valores individuales del fusible del amplificador. Utilice cableado del mismo calibre y capacidad de corriente que su alimentación y cables de tierra.



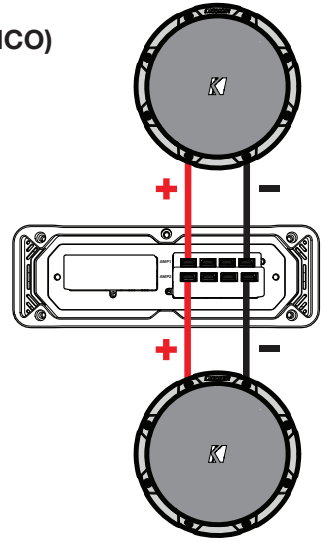
FUNCIONAMIENTO POR CUATRO CANALES

impedancia mínima de 2 ohmios por canal



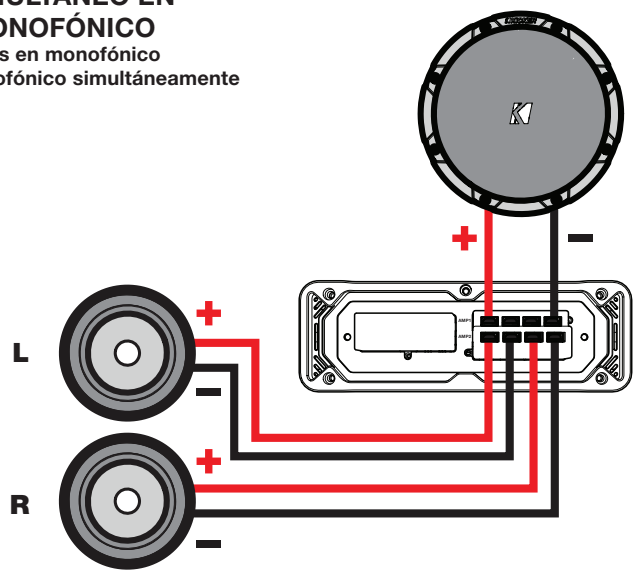
FUNCIONAMIENTO EN PUENTE (MONOFÓNICO)

impedancia mínima de 4 ohmios en puente

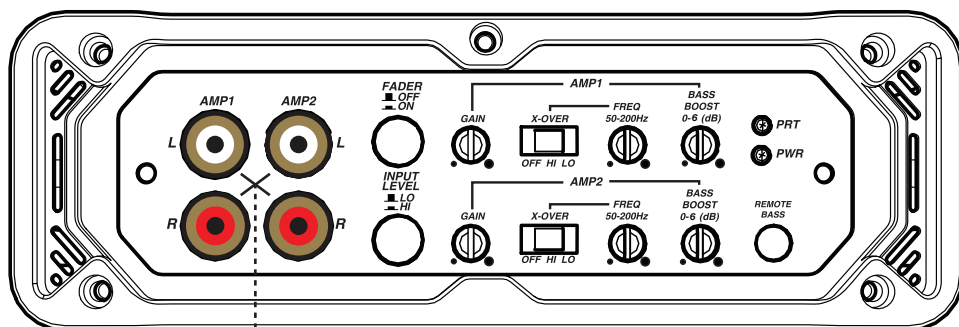


FUNCIONAMIENTO SIMULTÁNEO EN ESTEREOFÓNICO Y MONOFÓNICO

impedancia mínima de 4 ohmios en monofónico y 2 ohmios por canal en estereofónico simultáneamente



FUNCIONAMIENTO



señal de entrada

Selección de Encendido Automático: La serie CX ofrece dos modalidades de encendido automático que: +12V, y compensación de CC.

- Encendido a Distancia: Instale cable calibre 18 desde el conductor de encendido a distancia de la unidad fuente hasta la terminal etiquetada REM entre las terminales de alimentación positiva y negativa del amplificador.
- Encendido por Compensación de CC: En la modalidad de compensación de CC, el amplificador detecta una subida de >2.5V de las salidas de altavoz de alto nivel cuando la unidad fuente se ha encendido.

Interruptor de "Fader": Presione el interruptor de "Fader" si está ejecutando dos conjuntos de entradas (parte delantera y trasera, por ejemplo) al amplificador. Deje el interruptor de apagado, si usted quiere manejar todos los canales de entrada estéreo de un solo.

Nivel de Entrada: Las entradas RCA de los amplificadores CX de KICKER aceptan señales de bajo nivel o alto nivel procedentes de la unidad fuente. Si la única salida disponible de la unidad fuente es una señal de alto nivel, oprima y deje adentro el selector de nivel de entrada del amplificador. En la sección de cableado de este manual hay más instrucciones.

Selector de Crossover: Fije el crossover interno en posición de desactivado (OFF), alto (HI) o bajo (LO) con el selector de crossover (XOVER) ubicado en el panel de extremo del amplificador. Cuando el selector se pone en posición de desactivado (OFF), todo el ancho de banda de la señal se amplifica. Fije el selector en la posición de alto (HI) si desea que el crossover interno del amplificador sirva como filtro de pasaalts. Fije el selector en la posición de bajo (LO) si desea que el crossover interno del amplificador sirva como filtro de pasabajas. ¡Nunca cambie la posición del selector OFF/HI/LO del crossover con el sistema de sonido encendido!

Control de Crossover: El crossover variable ubicado en la parte de arriba del CXA360.4 le permite ajustar la frecuencia de crossover de 50 a 200Hz. La configuración de este control es subjetiva; 80Hz es un buen punto de partida.

Control de Amplificación de Entrada: El control de amplificación de entrada no es un control de volumen. El control de amplificación de entrada hace que la salida de la fuente corresponda al nivel de entrada del amplificador. La potencia máxima del amplificador es posible con la ganancia en la posición más baja. La configuración incorrecta de la ganancia puede provocar una salida distorsionada o daños y fallas prematuras de los altavoces. Suba el volumen de la unidad fuente a $\frac{3}{4}$ (si la unidad llega a 30, súbale el volumen a 25). A continuación, suba lentamente la amplificación (girando el control en el sentido de las manecillas del reloj) hasta que pueda oír distorsión, luego bájela un poquito.

Para establecer la ganancia de entrada usando un voltímetro o un osciloscopio, comience apagando el amplificador y desconectando todos los parlantes. Gire la perilla de ganancia completamente hacia afuera (en sentido antihorario) y todos los cruces, o hacia su ajuste menos efectivo. Gire la perilla de refuerzo de graves completamente (en sentido antihorario). Si se conecta un accesorio de bajo remoto al amplificador, enciéndalo completamente (en el sentido de las agujas del reloj). Asegúrese de que todos los ajustes de equalización y

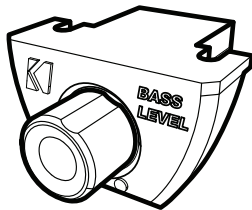
DSP en la unidad fuente, como graves, agudos, atenuador, posición de asiento, etc. estén configurados como lineales, planos, centrales o apagados. Enciende el amplificador. Reproduzca una onda 0dB sinusoidal a través de su unidad fuente y aumente el volumen a aproximadamente 3/4 de máximo. Las pistas sinusoidales se pueden descargar de forma gratuita desde KICKER.com en la pestaña "Soporte". Utilice la onda sinusoidal de 50Hz para establecer la ganancia para un subwoofer y la onda senoidal de 1kHz para los parlantes de rango completo. Configure su voltímetro o osciloscopio para medir el voltaje de CA. Coloque las sondas del voltímetro en los terminales de salida del altavoz del amplificador. Con la onda sinusoidal en reproducción, gire lentamente la perilla de ganancia en el sentido de las agujas del reloj y observe cómo aumenta la tensión de CA en el voltímetro. Cuando se muestra la tensión deseada, o que empiece a ver la plaza de forma de onda de parada aumentando la ganancia, apagar el amplificador, vuelva a conectar todos los altavoces y establecer los cruces a la configuración deseada. Su ganancia ahora está configurada para la máxima potencia no eliminada del amplificador. Si aumenta la amplitud usando los ajustes en la unidad fuente o la potencia de graves en el amplificador, introducirá distorsión y deberá repetir estos pasos.

Refuerzo de Bajos: El control variable de refuerzo de bajos ubicado en el panel de extremo del amplificador ha sido diseñado para dar una mayor salida de bajos, de 0 a 6dB a 40Hz. La configuración de este control es subjetiva. Si usted lo sube, debe volver a ajustar el control de amplificación para evitar la limitación de la señal del amplificador.

Control Remoto de Bajos-CXARC (no incluido): Con el control remoto de nivel de graves CXARC opcional, puede controlar a distancia el nivel de salida del AMP2 (LO-PASS X-OVER). Para instalar en superficie el control remoto de nivel de graves CXARC, simplemente atornille el control en la ubicación elegida, luego extienda el cable del controlador hacia la entrada "Remote Bass" (grave remoto) en el panel del amplificador. **NO** conectar / desconectar, mientras que el amplificador está encendido.

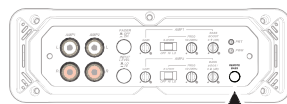
CXARC CONTROL REMOTO DE BAJOS INSTALACIÓN

(Opcional - no incluido CXARC)

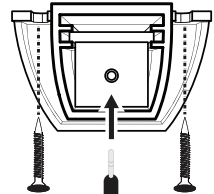


Cable de control remoto de audio pasa, no se ejecutan en paralelo a los cables de alimentación. Los controles remotos amp2.

Para instalar en superficie el control remoto CXARC use los tornillos suministrados.



vista desde atrás



Conecte el cable de extensión de 1/8 pulgadas [3.5mm] suministrado al control remoto CXARC y a la entrada de grave remoto en el amplificador.

RESOLUCIÓN DE PROBLEMAS

Si su amplificador parece no estar funcionando, revise lo obvio primero: fusibles quemados, conexiones malas o incorrectas, posición incorrecta de los selectores de crossover y amplificación, etc. Su amplificador modelo CX de KICKER cuenta con los LED de protección (PRT) y de encendido (PWR) en el panel de alimentación lateral. Dependiendo del estado del amplificador y del sistema de carga del vehículo, los LED se iluminarán en verde o en rojo. Cuando el LED se ilumina en verde, indica que el amplificador está encendido y no hay ningún problema.

¿El indicador luminoso LED verde está apagado y no hay salida? Con un voltímetro/ohmímetro (VOM), verifique lo siguiente: ❶ Hay +12V en la terminal de alimentación (debe leerse entre +12V y +16V). ❷ Hay +12V en la terminal de encendido a distancia (debe leerse entre +12V y +16V). ❸ No hay conexiones invertidas de alimentación o conexión a tierra. ❹ La terminal de conexión a tierra tiene la conductividad adecuada. ❺ No hay fusibles quemados.



¿El Indicador luminoso LED verde está encendido y no hay salida? Verifique lo siguiente: ❶ Las conexiones RCA están bien. ❷ Las salidas de altavoces están bien pues han sido puestas a prueba con un altavoz en buenas condiciones. ❸ Se ha cambiado la unidad fuente por una unidad fuente en buenas condiciones. ❹ Con un medidor VOM configurado para medir voltaje de "CA", se ha buscado una señal en el cable RCA que alimenta el amplificador.

¿El indicador luminoso LED de "protection" destella con la música fuerte? El indicador luminoso LED rojo indica que hay bajo voltaje de batería. Revise todas las conexiones del sistema de carga eléctrica del vehículo. Puede ser necesario cambiar o cargar la batería del vehículo o cambiar el alternador del vehículo.

¿El indicador luminoso LED de "protection" está encendido y no hay salida? ❶ El amplificador está muy caliente = Se ha activado el circuito de protección térmica. Con un medidor VOM, compruebe que las terminales de altavoz tengan la impedancia correcta (vea en este manual los diagramas que contienen datos de impedancia mínima recomendada y sugerencias de cableado de varios altavoces). Asegúrese también de que haya un flujo de aire adecuado alrededor del amplificador. ❷ El amplificador se apaga sólo cuando el vehículo está en marcha = Se ha activado el circuito de protección contra sobrevoltaje. El voltaje al amplificador no está dentro del intervalo de funcionamiento de 8V a 16V. Haga inspeccionar el sistema eléctrico y de carga eléctrica del automóvil. ❸ El amplificador sólo funciona a bajo volumen = Se ha activado el circuito de protección contra cortocircuitos. Asegúrese de que los cables de los altavoces no estén en cortocircuito entre sí o con el chasis del vehículo. Vea si hay altavoces dañados o funcionando a menos de la impedancia mínima recomendada.

¿No hay salida de uno de los canales? ❶ Revise el control de balance de la unidad fuente. ❷ Revise las conexiones RCA (o de entrada de altavoz) y de salida de altavoz del canal.

¿Hay ruido sibilante de alternador asociado a las RPM del motor? ❶ Vea si hay algún cable RCA (o de entrada de altavoz) dañado. ❷ Revise el encaminamiento del cable RCA (o de entrada de altavoz). ❸ Vea si la unidad fuente tiene conexión a tierra apropiada. ❹ Revise las configuraciones de amplificación y báje las si están muy altas.

¿Hay baja respuesta de bajos? Invierta la conexión de uno de los altavoces de positiva a negativa en los canales estereofónicos y/o de subwoofer; si los bajos mejoran, el altavoz estaba fuera de fase.

¿Hay ruido de conexión a tierra? Los amplificadores KICKER son totalmente compatibles con las unidades fuente de todos los fabricantes. Algunas unidades principales pueden necesitar más conexión a tierra para evitar que entre ruido a la señal de audio. En la mayoría de los casos, este problema con la unidad principal se resuelve instalando un cable de conexión a tierra desde las salidas RCA de la unidad principal al chasis.

PRECAUCIÓN: Cuando haga arrancar el vehículo con cables de arranque conectados a una batería externa, asegúrese de que las conexiones de los cables de arranque sean correctas. Conectar los cables de arranque de manera incorrecta puede quemar los fusibles del amplificador y causar fallas en otros sistemas del vehículo.

Si tiene más preguntas sobre la instalación de su nuevo producto KICKER, vaya al distribuidor autorizado de KICKER donde lo compró. Si necesita más consejos sobre la instalación, haga clic en la lengüeta SUPPORT (apoyo) de la página Web de KICKER, www.kicker.com. Escoja la lengüeta TECHNICAL SUPPORT (apoyo técnico), escoja el tema que le interese y luego descargue o vea la información correspondiente. Envíe un mensaje por correo electrónico a support@kicker.com o comuníquese con Servicios Técnicos llamando al (405) 624-8583 si tiene preguntas específicas o a las cuales no haya encontrado respuesta.



CXA360.4

65 x 4 @ 4 ohmios, 14.4VCC, 1% THD, CEA-2006B (Watts)
Relación de Señal a Ruido -75dB CEA-2006B (ref: 1W, ponderado en A)



Autorisierter KICKER-Händler: _____

Kaufdatum: _____

Verstärker-Seriennummer: _____

WARNUNG: KICKER-Treiber können einen Schallpegel erzeugen, der zu permanenten Gehörschäden führen kann! Wenn Sie ein System auf einen Pegel stellen, der hörbare Verzerrungen erzeugt, schadet das Ihren Ohren mehr, als ein nicht verzerrtes System auf dem gleichen Lautstärkepegel. Die Schmerzschwelle ist immer eine Anzeige dafür, dass der Schallpegel zu laut ist und zu permanenten Gehörschäden führen kann. Seien Sie bei der Lautstärkeinstellung bitte vernünftig!

LEISTUNG

Modell:

CXA360.4

RMS-Leistung

@ 14,4V, 4Ω stereo, ≤ 1% Gesamtklirrfaktor

65W x 4

@ 14,4V, 2Ω stereo, ≤ 1% Gesamtklirrfaktor

90W x 4

@ 14,4V, 4Ω überbrückt, ≤ 1% Gesamtklirrfaktor

180W x 2

Länge [Zoll, cm]

12-7/16, 32

Höhe [Zoll, cm]

2-3/8, 5,9

Breite [Zoll, cm]

6-3/4, 17

Frequenzgang [Hz]

10–20k

Rauschabstand [dB]

>95dB, A-gewichtet, re: Nennleistung

Eingangsempfindlichkeit

N-Pegel: 125mV–5V

H-Pegel: 1V–40V

Elektronischer Trennfrequenzregler

HI, LO oder OFF; 50 – 200 Hz, 12 dB/Oktave

KickEQ™ Bass-Boost

Variabel 0 – 6 dB bei 40 Hz

Basspegel-Fernbedienung

Ja (separat erhältlich)

Hinweis: Um das Maximum aus Ihrem neuen KICKER-Verstärker herauszuholen, sollten Sie echtes KICKER-Zubehör und KICKER-Kabel verwenden.

INSTALLATION

Befestigung: Wählen Sie für die Installation des KICKER-Verstärkers eine strukturell stabile Stelle. Vergewissern Sie sich, dass sich hinter der Einschraubposition der Schrauben nichts befindet. Wählen Sie eine Stelle, die mindestens 10 cm Lüftungsfreiraum für den Verstärker bietet. Installieren Sie, wenn möglich, den Verstärker im klimatisierten Fahrgastraum. Bohren Sie mit einem 3-mm-Bohrer vier Löcher und verwenden Sie die beiliegenden Nr. 8-Schrauben zur Befestigung des Verstärkers.

Die KICKER CX-Verstärker können vertikal montiert werden, um Platz zu sparen. Schrauben Sie die Abdeckplatte mit einem 2,5 mm Innensechskantschlüssel ab, entfernen Sie die vorhandenen Halterungen und bringen Sie die doppelt geschlitzten Halterungen am Verstärker an (siehe nächste Seite).

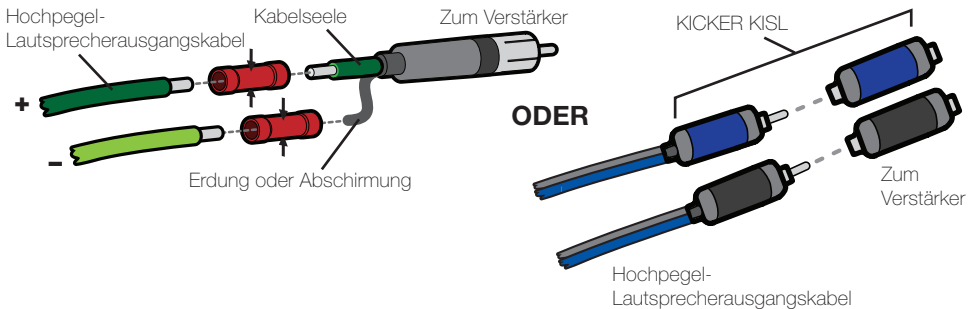
Anschluss: Trennen Sie den Anschluss der Fahrzeugbatterie, um einen Kurzschluss zu vermeiden. Schließen Sie dann das Massekabel an den Verstärker an. Verwenden Sie ein kurzes Erdungskabel (maximal 60 cm) und schließen Sie es an eine lack- oder korrosionsfreie Metallstelle an der Fahrzeugkarosserie an. Es wird auch empfohlen, ein weiteres Massekabel mit gleicher (oder größerer) Drahtstärke zwischen dem negativen Pol der Autobatterie und der Fahrzeugkarosserie zu verwenden.

Verstärkerabdeckplatte

Sechskantschrauben

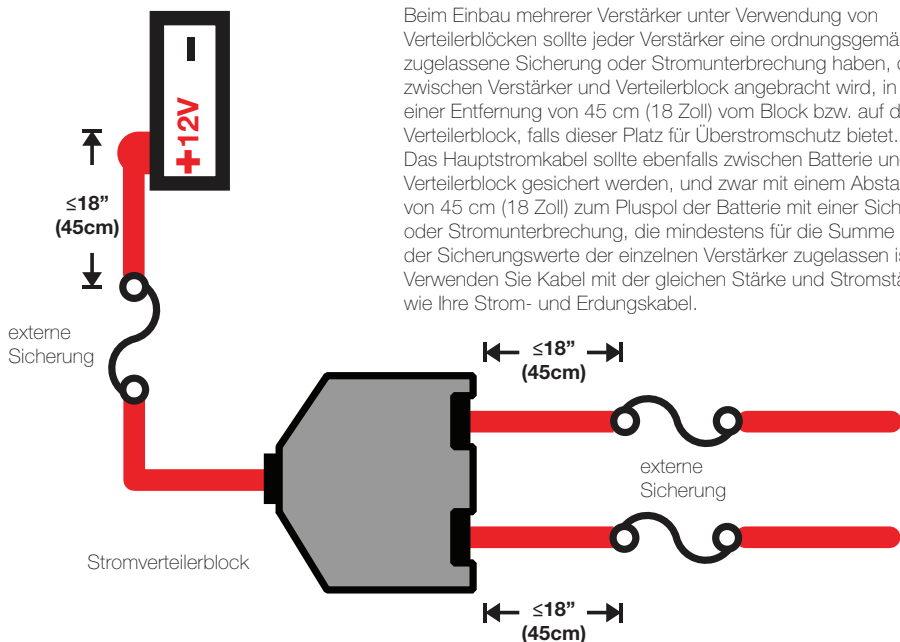
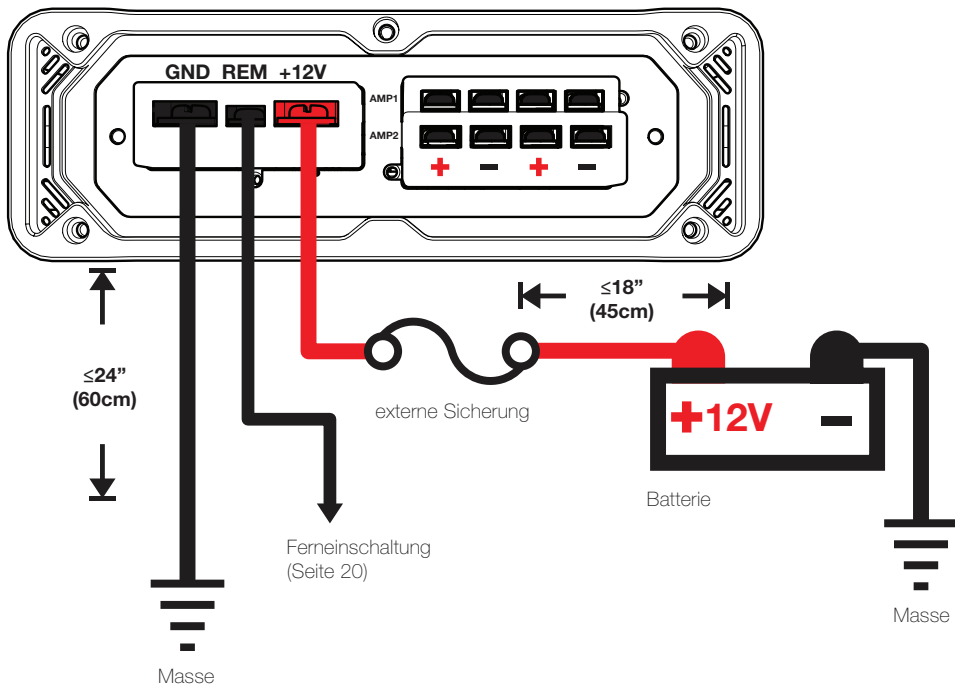
Doppelt geschlitzte Halterung

Der CX-Verstärker hat zwei RCA-Eingänge mit Eingangsempfindlichkeits-Differential, die entweder Hoch- oder Niederpegelsignale vom Autoradio empfangen. Kann das Signal mit den Hochpegel-Lautsprecherausgängen am Autoradio an den Verstärker übertragen werden. Stellen Sie den Eingangsempfindlichkeitsschalter an der Endplatte des Verstärkers auf „HI“. Crimpen und löten Sie die RCA-Stecker an das Ende des Lautsprecherkabels von den Hochpegel-Lautsprecherausgängen am Autoradio und verbinden Sie das Kabel mit den RCA-Eingängen an der Endplatte des Verstärkers, oder Vereinfachung der Installation, indem Sie ein KICKER KISL wie unten gezeigt. Alternativ können Sie Ihre Quelle Einheit Cinch-Ausgänge zum CX Verstärker Cinch-Eingänge anschließen. Stellen Sie den Eingangsempfindlichkeitsschalter an der Endplatte des Verstärkers auf „LO“. Achten Sie beim Verlegen dieser Audiokabel darauf, dass sie Werks-Kabelbäume und andere Stromkabel nicht berühren. Wenn Sie die Kabel überkreuzen müssen, tun Sie dies in einem 90-Grad-Winkel.



Installieren Sie in maximal 45 cm Entfernung von der Batterie eine Sicherung in Reihe mit dem Stromkabel zum Verstärker. Wenn Sie je den Verstärker nach der Installation aus dem Fahrzeug ausbauen müssen, sollte die Masseleitung als letzte vom Verstärker getrennt werden, genau in der umgekehrten Reihenfolge wie bei der Installation.

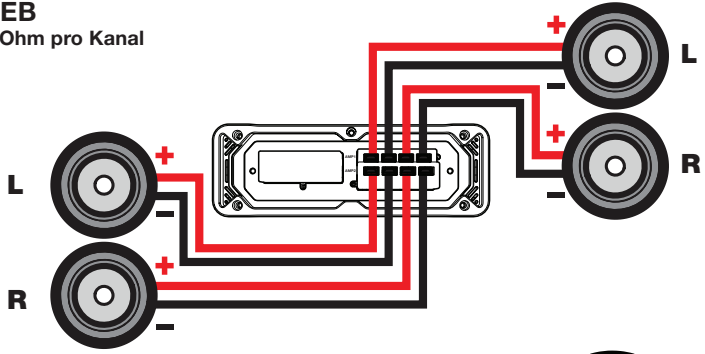
Modell	Externe Sicherung (nicht inbegriffen)	Massekabel	KICKER Verkabelungssatz
CXA360.4	1 x 40 Ampere	8 GA	PK8, CK8



Beim Einbau mehrerer Verstärker unter Verwendung von Verteilerblöcken sollte jeder Verstärker eine ordnungsgemäß zugelassene Sicherung oder Stromunterbrechung haben, die zwischen Verstärker und Verteilerblock angebracht wird, in einer Entfernung von 45 cm (18 Zoll) vom Block bzw. auf dem Verteilerblock, falls dieser Platz für Überstromschutz bietet. Das Hauptstromkabel sollte ebenfalls zwischen Batterie und Verteilerblock gesichert werden, und zwar mit einem Abstand von 45 cm (18 Zoll) zum Pluspol der Batterie mit einer Sicherung oder Stromunterbrechung, die mindestens für die Summe der Sicherungswerte der einzelnen Verstärker zugelassen ist. Verwenden Sie Kabel mit der gleichen Stärke und Stromstärke wie Ihre Strom- und Erdungskabel.

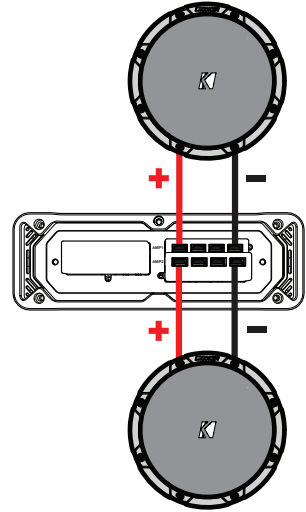
VIERKANALBETRIEB

Minimalimpedanz von 2 Ohm pro Kanal



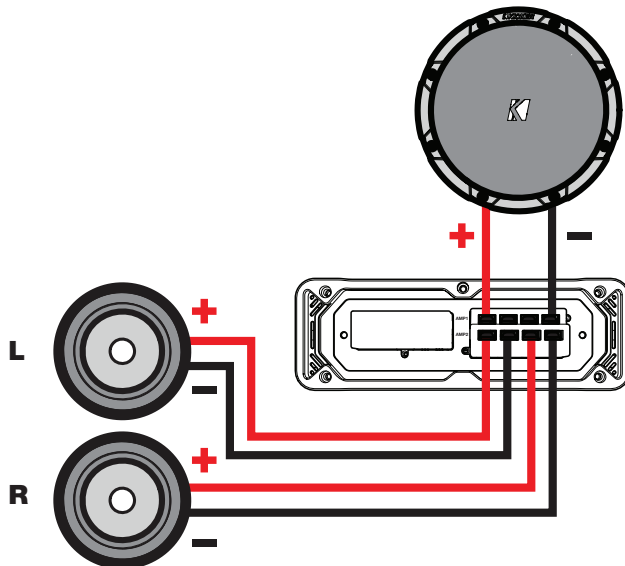
BRÜCKENBETRIEB (MONO)

Minimalimpedanz von 4 Ohm

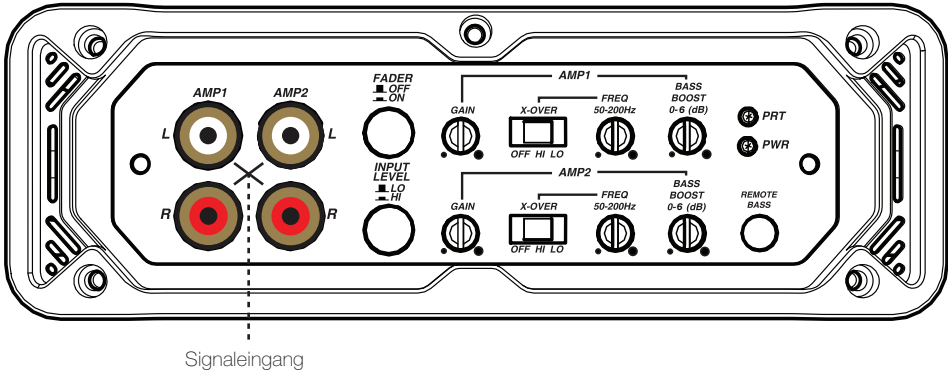


GLEICHZEITIGER STEREO- UND MONO-BETRIEB (SAMS)

Mindestimpedanz von 4 Ohm (Mono) bzw. 2 Ohm pro Kanal (Stereo) bei gleichzeitigem Betrieb



OPERATION



Automatische Einschaltung: Die CX-Serie bietet zwei verschiedene automatische Einschaltmethoden, die an der Endplatte gewählt werden können: +12V und DC Offset.

- Remote Turn-On (Fernschaltung): Verlegen Sie 18 GA-Kabel von der Fernschaltung an Ihrem Autoradio zum REM-Terminal zwischen den positiven und negativen Stromanschlüssen des Verstärkers.
- DC Offset-Einschaltung: Der DC Offset-Modus entdeckt nach Einschalten des Autoradios einen >2.5-Volt-Anstieg an den Hochpegel-Lautsprecherausgängen.

Eingangspegel: Die RCA-Eingänge an KICKER CX-Verstärkern können entweder Hoch- oder Niederpegelsignale vom Autoradio empfangen. Wenn nur ein H-Pegel-Signal vom Autoradio verfügbar ist, drücken Sie einfach den Schalter „Input Level“ am Verstärker. Weitere Hinweise finden Sie im Abschnitt „Anschluss“ sektion.

Crossover-Schalter: Verwenden Sie den XOVER-Schalter an der Endplatte des Verstärkers, um die interne Crossover-Einheit auf OFF, HI oder LO einzustellen. Wenn der Schalter auf OFF steht, wird ein Signal mit voller Bandbreite verstärkt. Stellen Sie den Schalter auf HI, wenn Sie die interne Crossover-Einheit des Verstärkers als Hochpassfilter verwenden wollen. Stellen Sie den Schalter auf LO, wenn Sie die interne Crossover-Einheit des Verstärkers als Tiefpassfilter verwenden wollen. Ändern Sie nie die Einstellung des „OFF/HI/LO“-Schalters, während das System eingeschaltet ist!

Crossover-Regler: Die variable Crossover-Einheit an der Oberseite des CXA360.4 ermöglicht es Ihnen, die Crossover-Frequenz zwischen 50 und 200Hz einzustellen. Die Einstellung für diesen Regler ist subjektiv, aber 80Hz wäre ein guter Ausgangspunkt.

Fader-Schalter: Drücken Sie den Fader-Schalter, wenn Sie mit zwei der Eingänge (vorne und hinten zum Beispiel) an den Verstärker. Lassen Sie den Schalter aus, wenn Sie alle Kanäle aus einer Stereo-Eingang fahren möchten.

Eingangsverstärkungsregler: Der Eingangsverstärkungsregler ist kein Lautstärkereglern. Er passt den Ausgang des Autoradios an den Eingangspegel am Verstärker an. Maximale Leistung aus dem Verstärker ist mit der Verstärkung in der niedrigsten Position möglich. Wenn Sie die Verstärkung falsch einstellen, kann dies zu verzerrter Ausgabe, Beschädigung und vorzeitigem Ausfall Ihrer Lautsprecher führen. Stellen Sie das Autoradio auf etwa 3/4 der Lautstärke ein (wenn es also bis 30 geht, wählen Sie 25). Drehen Sie dann langsam den Verstärkungsregler am Verstärker (im Uhrzeigersinn), bis Sie eine hörbare Verzerrung feststellen. Drehen Sie ihn dann wieder etwas zurück.

Um die Eingangsverstärkung mit einem Oszilloskop oder Voltmeter einzustellen, schalten Sie zunächst den Verstärker aus und trennen Sie alle Lautsprecher davon. Drehen Sie den Gain-Regler vollständig (gegen den Uhrzeigersinn) und alle Frequenzweichen aus oder auf ihre unwirksamste Einstellung. Drehen Sie den Bass-Boost-Regler vollständig aus (gegen den Uhrzeigersinn). Wenn ein externes Basszubehör an den Verstärker angeschlossen ist, schalten Sie es vollständig ein (im Uhrzeigersinn). Stellen Sie sicher, dass alle EQ- und DSP-Einstellungen an der Quelleneinheit, wie z. B. Bässe, Höhen, Fader, Sitzposition usw., auf linear, flach, Mitte oder Aus eingestellt sind. Schalten Sie den Verstärker ein. Spielen Sie eine 0dB Sinuswelle durch Ihre Quelleneinheit

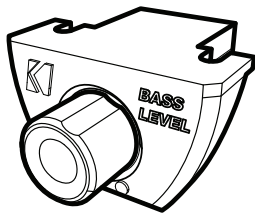
und erhöhen Sie die Lautstärke auf etwa 3/4 des Maximums. Sinusförmig Wave Tracks können kostenlos von KICKER.com unter dem Reiter "Support" heruntergeladen werden. Verwenden Sie die 50-Hz-Sinuswelle, um die Verstärkung für einen Subwoofer und die 1-kHz-Sinuswelle für Vollbereichslautsprecher einzustellen. Stellen Sie Ihr Voltmeter oder Oszilloskop auf AC-Spannung. Setzen Sie die Sonden des Voltmeters auf die Lautsprecherausgangsbuchsen des Verstärkers. Drehen Sie den Gain-Regler bei gespielter Sinuswelle langsam im Uhrzeigersinn und beobachten Sie, wie sich die Spannung am Voltmeter erhöht. Wenn die gewünschte Spannung angezeigt wird, oder Sie sehen, dass der Signalquadrat aus ist, hören Sie auf, die Verstärkung zu erhöhen, schalten Sie den Verstärker aus, schließen Sie alle Lautsprecher wieder an und stellen Sie die Frequenzweichen auf die gewünschte Einstellung ein. Ihre Verstärkung ist jetzt auf maximale, nicht gesperrte Leistung des Verstärkers eingestellt. Wenn Sie die Amplitude mit den Einstellungen an der Quelleneinheit oder der Bassverstärkung am Verstärker erhöhen, wird eine Verzerrung verursacht, und Sie müssen diese Schritte wiederholen.

Bass-Boost-Regler: Der variable Bass-Boost-Regler an der Oberseite des Verstärkers ermöglicht einen verstärkten Bass von 0 – 6 dB bei 40Hz. Die Einstellung dieses Reglers erfolgt nach subjektivem Geschmack. Wenn Sie ihn höher einstellen, müssen Sie zurückgehen und den Eingangsverstärkungsregler anpassen, um ein Clipping zu vermeiden.

Basspegel-Fernbedienung-CXARC (nicht inbegriffen). Mit dem optionalen CXARC-Remote-Bassregler können Sie den Ausgabepegel des AMP2 remote steuern. Um den CXARC-Remote-Bassregler auf einer Fläche zu montieren, schrauben Sie den Remote-Regler an der gewünschten Fläche an und leiten Sie das Kabel vom Controller zur "Remote-Bass"-Steckerbuchse am Verstärker. **NICHT** verbinden / trennen, während der Verstärker eingeschaltet ist.

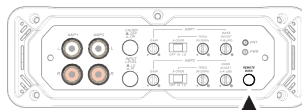
CXARC BASSPEGEL-FERNBEDIENUNG INSTALLATION

(Wahlweise - CXARC nicht inbegriffen.)

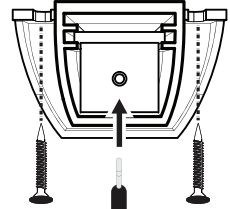


Remote-Kabel geht Audio-, Kabel laufen nicht parallel zum Stromkabel. Die Fernbedienung AMP2.

Montieren Sie den CXARC-Remote-Regler mit den mitgelieferten Schrauben.



Rückansicht



Stecken Sie das mitgelieferte 1/8 Zoll [3.5mm] Patchkabel in den CXARC-Remote-Regler und in die "Remote-Bass"-Steckerbuchse am Verstärker.

PROBLEMBEHEBUNG

Wenn der Verstärker nicht zu funktionieren scheint, sollten Sie zuerst offensichtliche Faktoren prüfen, wie durchgebrannte Sicherungen, schlechte oder fehlerhafte Verkabelung, inkorrekte Einstellung des Crossover-Schalters und der Verstärkungsregler etc. Am seitlichen Einschaltfeld des Kicker CX-Verstärkers befinden sich eine Netz-LED (PWR) und eine Schutz-LED (PRT). Abhängig vom Einschaltzustand des Verstärkers und des Ladesystems des Fahrzeugs leuchten die LED-Anzeigen grüne oder rot. Eine grüne LED zeigt an, dass der Verstärker eingeschaltet ist und einwandfrei funktioniert.

Grüne LED aus, keine Ausgabe? Testen Sie mit einem Volt-Ohm-Messgerät (VOM) Folgendes: ❶ +12 Volt Stromanschluss (Wert sollte +12V bis +16V sein) ❷ Fernanschluss (Wert sollte +12V bis +16V sein) ❸ Prüfen, ob Netz- und Masseanschlüsse falsch gepolt sind. ❹ Masseanschluss, auf korrekte Leitfähigkeit. ❺ Prüfen, ob Sicherungen durchgebrannt sind.

Grüne LED an, keine Ausgabe? Prüfen Sie Folgendes: ❶ RCA-Anschlüsse ❷ Lautsprecheranschlüsse mit „gutem“ Lautsprecher testen. ❸ Autoradio durch ein „gutes“ Autoradio ersetzen. ❹ Prüfen Sie mit dem

VOM-Messgerät, das auf Wechselspannung eingestellt ist, die RCA-Zuleitung des Verstärkers auf ein Signal.

Schutz-LED blinkt bei lauter Musik? Die rote LED zeigt eine niedrige Batteriespannung an. Prüfen Sie alle Verbindungen im Ladesystem Ihres Fahrzeugs. Sie müssen eventuell die Fahrzeugbatterie aufladen oder ersetzen oder die Lichtmaschine auswechseln.

Schutz-LED an, keine Ausgabe? ❶ Der Verstärker ist sehr heiß = Der Überhitzungsschutz ist aktiviert. Testen Sie den Widerstand an den Lautsprecheranschlüssen mit einem VOM-Messgerät (die Diagramme in dieser Anleitung zeigen die empfohlenen Mindestwiderstände und Vorschläge für den Anschluss mehrerer Lautsprecher). Prüfen Sie auch, ob der Verstärker ausreichende Lüftung hat. ❷ Der Verstärker schaltet sich nur während der Fahrt aus = Der Spannungsschutz ist aktiviert. Die Spannung am Verstärker liegt außerhalb des Betriebsbereichs von 8–16 Volt. Lassen Sie das Lade- und Elektriksystem des Fahrzeugs inspizieren.

❸ Der Verstärker erzeugt nur geringe Lautstärke = Die Kurzschluss-Sicherung ist aktiviert. Prüfen Sie, ob Lautsprecherkabel miteinander oder mit der Karosserie Kurzschlüsse erzeugen. Prüfen Sie, ob beschädigte oder unterhalb des Mindestwiderstands funktionierende Lautsprecher vorliegen.

Keine Ausgabe aus einem Kanal? ❶ Prüfen Sie den Balanceregler am Autoradio. ❷ Prüfen Sie die RCA- oder Lautsprechereingangskabel und -ausgänge für den Kanal.

Lichtmaschine erzeugt bei steigender Motordrehzahl heulendes Geräusch? ❶ Prüfen Sie, ob das RCA- oder Lautsprechereingangskabel defekt ist. ❷ Prüfen Sie den Verlauf des RCA- oder Lautsprechereingangskabels. ❸ Prüfen Sie, ob das Autoradio richtig geerdet ist. ❹ Prüfen Sie die Verstärkungseinstellungen und reduzieren Sie diese ggf.

Verringerte Basswiedergabe? Wechseln Sie einen Lautsprecheranschluss an den Stereo-/Subwooferkanälen von Positiv zu Negativ; wenn der Bass nun besser klingt, war der Lautsprecher phasenverschoben.

Störung durch Erdung? KICKER-Verstärker sind mit den Autoradios aller Hersteller kompatibel. Manche Autoradios erfordern eventuell weitere Erdung, um Störungen am Audiosignal zu verhindern. Wenn Sie Probleme mit dem Autoradio haben, reicht es meist, ein Massekabel von den RCA-Ausgängen am Autoradio zur Karosserie zu verlegen.

ACHTUNG: Wenn Sie das Auto mit Starthilfekabel starten, müssen Sie sicherstellen, dass die Kabel korrekt angeschlossen sind. Falsche Anschlüsse können zu einem Durchbrennen der Verstärkersicherung und einem Ausfall anderer wichtiger Systeme im Fahrzeug führen.

Wenn Sie weitere Fragen zur Installation oder zum Betrieb Ihres neuen KICKER-Produkts haben, setzen Sie sich bitte mit Ihrem autorisierten KICKER-Fachhändler in Verbindung. Weitere Installationshinweise finden Sie, indem Sie auf der KICKER-Startseite (www.kicker.com) auf die Registerkarte SUPPORT klicken. Wählen Sie das Register TECHNICAL SUPPORT und dann das gewünschte Thema, um die entsprechenden Informationen anzuzeigen oder herunterzuladen. Wenn Sie spezifische oder nicht beantwortete Fragen haben, erreichen Sie den Kundendienst unter support@kicker.com oder telefonisch unter +1 (405) 624-8583.



CXA360.4

65 x 4 @ 4 ohms, 14.4GS, 1% Klirrfaktor, CEA-2006B (Watts)
Rauschabstand -75dB CEA-2006B (ref: 1W, A-gewichtet)

Revendeur agréé KICKER : _____

Date d'achat : _____

Numéro de série de l'amplificateur : _____

AVERTISSEMENT: Les haut-parleurs KICKER ont la capacité de produire des niveaux sonores pouvant endommager l'ouïe de façon irréversible ! L'augmentation du volume d'un système jusqu'à un niveau présentant une distorsion audible endommage davantage l'ouïe que l'écoute d'un système sans distorsion au même volume. Le seuil de la douleur est toujours le signe que le niveau sonore est trop élevé et risque d'endommager l'ouïe de façon irréversible. Réglez le volume en faisant preuve de bon sens!

PERFORMANCES

Modèle:**CXA360.4**

Puissance Efficace

@ 14,4V, 4Ω stéréo, ≤ 1% THD+N

65W x 4

@ 14,4V, 2Ω stéréo, ≤ 1% THD+N

90W x 4

@ 14.4V, 4Ω ponté, ≤ 1% THD+N

180W x 2

Longueur [pouces, cm]

12-7/16, 32

Hauteur [pouces, cm]

2-3/8, 5,9

Largeur [pouces, cm]

6-3/4, 17

Réponse en Fréquence [Hz]

10–20k

Rapport Signal sur Bruit [dB]

>95dB, une puissance nominale

Sensibilité d'Entrée

Bas niveau: 125mV–5V

Haut niveau: 1V–40V

Répartiteur électronique

HI, LO ou OFF ; Variable 50 à 200 Hz, 12dB/Octave

KickEQ™ Amplification des Graves

Variable 0 à 6 dB à 40 Hz

Basse séparée

Oui (vendu séparément)

Remarque : Pour optimiser les performances de votre nouvel amplificateur KICKER, il est conseillé d'utiliser des accessoires et des câbles KICKER d'origine.

INSTALLATION

Montage: Choisissez un emplacement de structure saine pour monter votre amplificateur KICKER. Assurez-vous que l'arrière de l'emplacement où vous allez enfoncer les vis ne comporte aucun élément. Choisissez un endroit assurant au moins 10 cm (4 po) de dégagement de ventilation ouverte pour l'amplificateur. Si possible, montez l'amplificateur dans l'habitacle passager climatisé. Percez quatre trous à l'aide d'un foret de 3 mm (7/64 po) et utilisez les vis n° 8 fournies pour monter l'amplificateur.

Les amplificateurs KICKER CX peuvent également être installés à la verticale, ce qui permet d'économiser de l'espace. Utilisez une clef hexagonale de 2,5 mm (clef Allen) pour desserrer le panneau d'extrémité, retirez les brides existantes ; ensuite, insérez et serrez les brides à double fente sur l'amplificateur, tel qu'illustré sur la page suivante.

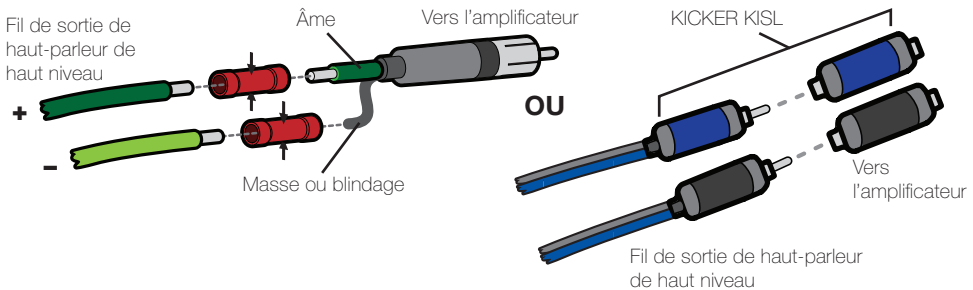
Câblage: Débranchez la batterie du véhicule pour éviter un court-circuit. Ensuite, raccordez le fil de masse à l'amplificateur. Le fil de masse doit être le plus court possible, de 60 cm (24 po) maximum. Raccordez-le à une partie métallique solide du châssis du véhicule, ne comportant ni peinture ni rouille. Il est recommandé d'ajouter un fil de masse supplémentaire de même calibre (ou de calibre supérieur) entre la borne négative de la batterie et le châssis du véhicule.

panneau d'extrémité de l'amplificateur

vis hexagonales

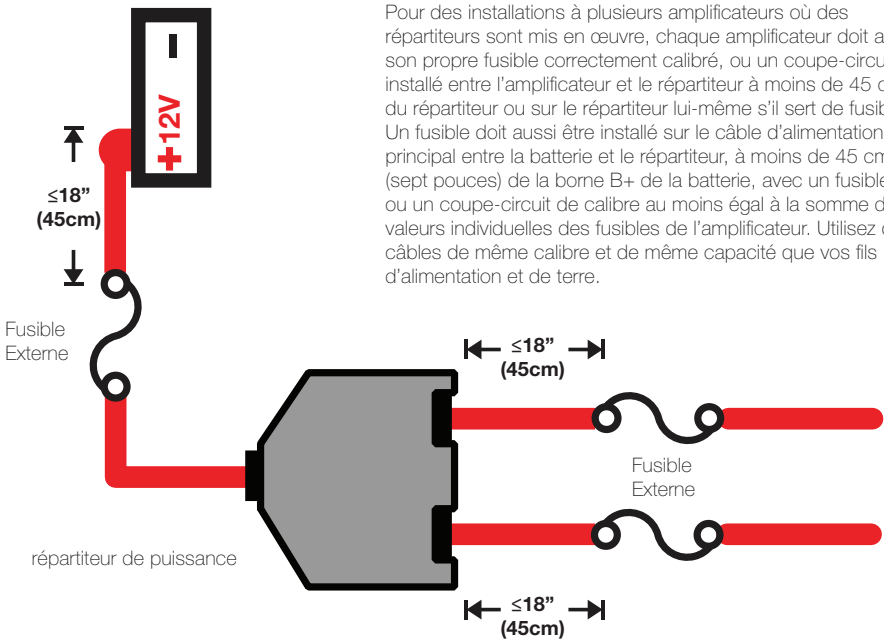
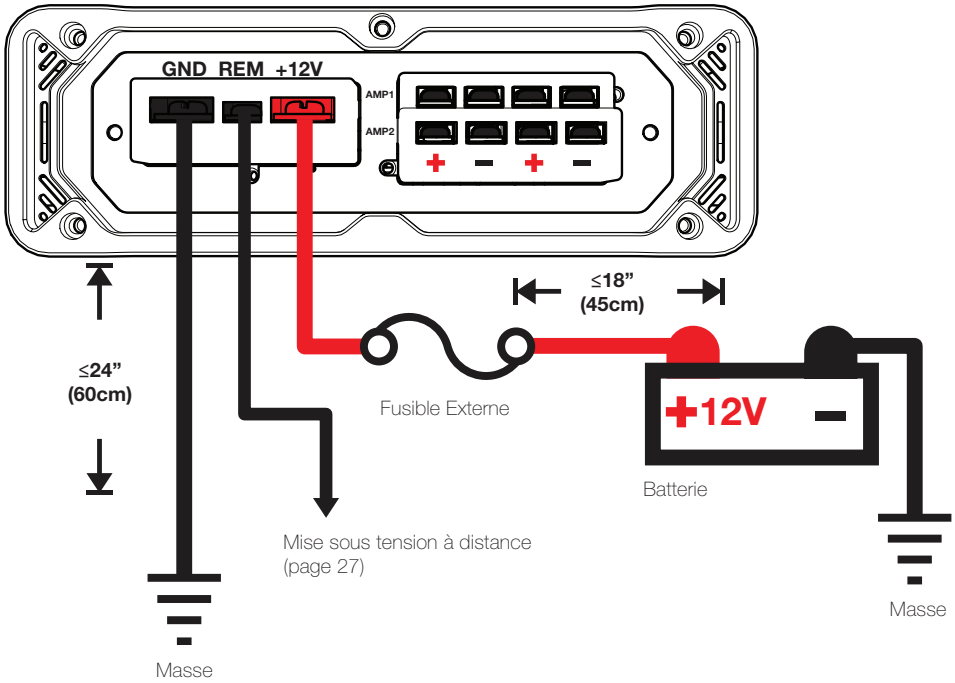
bride à double fente

L'amplificateur CX est doté de deux entrées RCA différentielles de sensibilité d'entrée qui reçoivent des signaux de haut ou bas niveau à partir de l'appareil source de la stéréo de votre voiture. Le signal peut être transmis à l'amplificateur en utilisant les sorties de haut-parleur de haut niveau sur l'appareil source. Réglez le commutateur de niveau d'entrée sur le panneau d'extrémité de l'amplificateur à la position « HI ». Sertissez et soudez les connecteurs RCA à l'extrémité du fil du haut-parleur venant des sorties de haut-parleur de haut niveau sur l'appareil source et raccordez le fil aux entrées RCA sur le panneau d'extrémité de l'amplificateur, ou de simplifier l'installation avec une KISL KICKER, comme indiqué ci-dessous. Alternativement, vous pouvez connecter les sorties de votre unité source RCA aux entrées de l'amplificateur CX RCA. Réglez le commutateur de niveau d'entrée sur le panneau d'extrémité de l'amplificateur à la position « LO ». Acheminez le câble du signal audio à l'écart des hamais de câblage d'usine et des autres câblages électriques. Si vous devez éventuellement croiser ces fils, procédez à angle droit.



Installez un fusible dans un rayon de 45 cm (18 po) de la batterie directement sur le câble d'alimentation raccordé à votre amplificateur. Installez un fusible seconde dans les 18 "(45cm) de l'amplificateur. Si vous devez retirer l'amplificateur après l'avoir installé dans le véhicule, débranchez toujours le fil de masse en dernier, en procédant à l'opposé de l'installation.

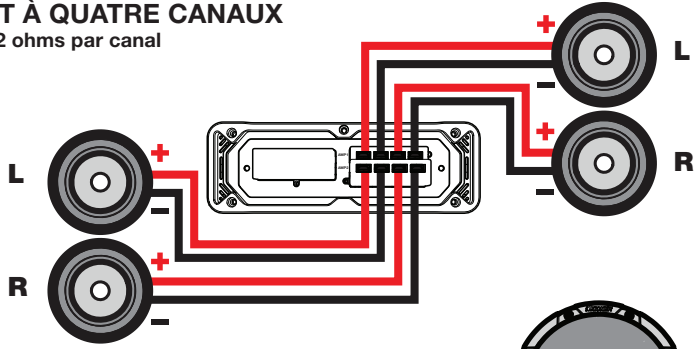
Modèle	Fusible Externe (non inclus)	Fil de Masse / Alimentation	KICKER Kit de câblage
CXA360.4	1 x 40 Ampere	8 Gauge	PK8, CK8



Pour des installations à plusieurs amplificateurs où des répartiteurs sont mis en œuvre, chaque amplificateur doit avoir son propre fusible correctement calibré, ou un coupe-circuit, installé entre l'amplificateur et le répartiteur à moins de 45 cm du répartiteur ou sur le répartiteur lui-même s'il sert de fusible. Un fusible doit aussi être installé sur le câble d'alimentation principal entre la batterie et le répartiteur, à moins de 45 cm (sept pouces) de la borne B+ de la batterie, avec un fusible ou un coupe-circuit de calibre au moins égal à la somme des valeurs individuelles des fusibles de l'amplificateur. Utilisez des câbles de même calibre et de même capacité que vos fils d'alimentation et de terre.

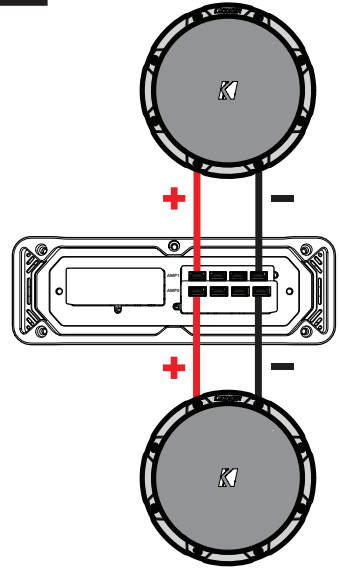
FONCTIONNEMENT À QUATRE CANAUX

impédance minimum de 2 ohms par canal



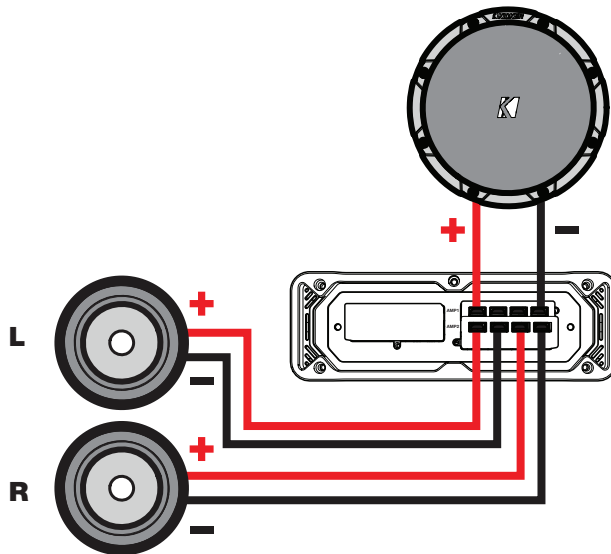
FONCTIONNEMENT PONTÉ (MONO)

impédance minimum de 4 ohms

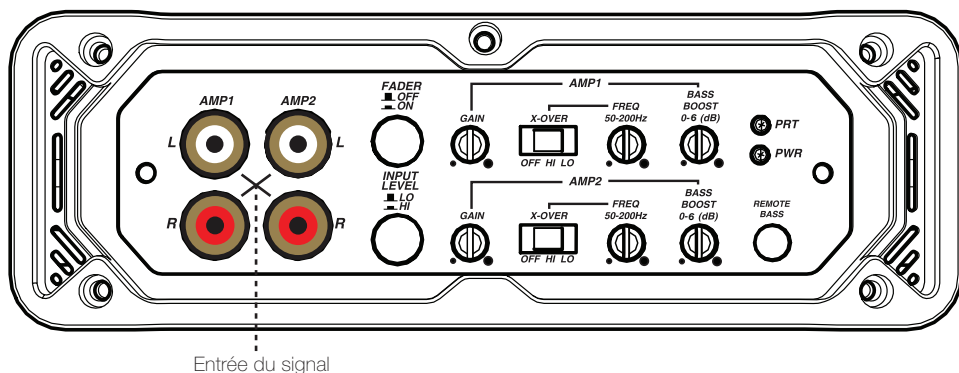


FONCTIONNEMENT SIMULTANÉ STÉRÉO ET MONO (SAMS)

impédance minimum simultanément de 4 ohms en mono et 2 ohms par canal en stéréo



UTILISATION



Sélection de Mise sous Tension Automatique : La série CX est dotée de deux modes différents de mise sous tension automatique: +12V et DC Offset (décalage c.c.).

- Mise sous Tension à Distance : Faites passer un fil de calibre 18 à partir du fil de mise sous tension à distance sur votre appareil source jusqu'à la borne étiquetée REM entre la borne négative et la borne positive d'alimentation de l'amplificateur.
- Mise sous Tension en Mode DC Offset : Le mode DC Offset détecte une surtension de >2.5 volts en provenance des sorties de haut-parleur de niveau haut (HI) quand l'appareil source a été mis en marche.

Niveau d'Entrée : Les entrées RCA sur les amplificateurs KICKER CX acceptent les signaux de niveaux haut et bas à partir de votre appareil source. Si votre appareil source n'est doté que d'une sortie de signal haut niveau, appuyez simplement sur le commutateur de niveau d'entrée sur l'amplificateur. Voir la section sur le câblage de ce manuel pour d'autres instructions.

Commutateur du Filtre : Utilisez le commutateur XOVER situé sur le panneau d'extrémité de l'amplificateur pour régler le filtre interne sur la position OFF, HI ou LO. Quand le commutateur est réglé sur OFF, le signal complet de bande passante est amplifié. Réglez le commutateur sur HI si vous souhaitez que le filtre interne de l'amplificateur serve de filtre passe-haut. Réglez le commutateur sur LO si vous souhaitez que le filtre interne de l'amplificateur serve de filtre passe-bas. Ne changez jamais le réglage « OFF/HI/LO » du filtre avec le système audio en marche !

Commande de Filtre: Située sur le haut de le CXA360.4, la commande de filtre variable permet de régler la fréquence du filtre de 50 à 200Hz. Le réglage de cette commande est subjectif. 80Hz constitue un bon réglage de départ.

Interrupteur « Fader » : Appuyez sur l'interrupteur « Fader » si vous utilisez deux jeux d'entrées (avant et arrière par exemple) à l'amplificateur. Laissez le désactiver si vous voulez conduire tous les canaux d'une entrée stéréo unique.

Commande du Gain d'Entrée : La commande du gain d'entrée n'est pas une commande de volume. Elle fait correspondre la sortie de l'appareil source au niveau d'entrée de l'amplificateur. La sortie maximale de l'amplificateur est possible avec le gain dans la position la plus basse. Le réglage incorrect du gain peut entraîner une distorsion de la sortie ou une détérioration prématurée de vos haut-parleurs. Réglez l'appareil source à environ ¾ du volume (si le réglage de l'appareil source va jusqu'à 30, réglez à 25). Ensuite, augmentez lentement le gain de l'amplificateur en faisant tourner le bouton (dans le sens des aiguilles d'une montre) jusqu'à produire une distorsion audible, puis baissez un peu le gain.

Pour régler le gain d'entrée à l'aide d'un oscilloscope ou d'un voltmètre, commencez par éteindre l'amplificateur et déconnectez tous les haut-parleurs. Désactivez complètement le bouton de gain (sens inverse des aiguilles d'une montre) et tous les crossovers, ou à leur réglage le moins efficace. Tournez le bouton boost basse complètement hors tension (sens antihoraire). Si un accessoire de basse est connecté à l'amplificateur, allumez-le complètement (dans le sens des aiguilles d'une montre). Assurez-vous que tous les paramètres EQ et DSP de l'unité source, tels que les graves, les aigus, la position assise, etc. sont définis sur linéaire, plat, central ou désactivé. Allumez l'amplificateur. Jouez une onde 0dB sinusoïdale à travers votre unité source et augmentez

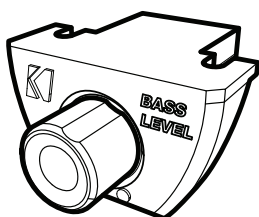
le volume à environ 3/4 du maximum. Les pistes Sine Wave peuvent être téléchargées gratuitement sur KICKER.com sous l'onglet «Support». Utilisez l'onde sinusoïdale 50Hz pour définir le gain d'un subwoofer et de l'onde sinusoïdale 1kHz pour les enceintes large bande. Réglez votre voltmètre ou votre oscilloscope pour mesurer la tension CA. Placez les sondes du voltmètre sur les bornes de sortie du haut-parleur de l'amplificateur. Pendant la lecture de l'onde sinusoïdale, tournez lentement le bouton de gain dans le sens des aiguilles d'une montre et observez l'augmentation de la tension alternative sur le voltmètre. Lorsque la tension désirée est affichée ou que vous commencez à voir la forme d'onde arrêlée, augmentez le gain, éteignez l'amplificateur, reconnectez tous les haut-parleurs et réglez les filtres sur le réglage souhaité. Votre gain est maintenant réglé pour une puissance maximale non clippée de l'amplificateur. Si vous augmentez l'amplitude à l'aide des réglages de l'unité source ou de l'amplification des graves sur l'amplificateur, cela introduira de la distorsion et vous devrez recommencer ces étapes.

Commande de l'Augmentation des Graves: Située sur le haut de l'amplificateur, la commande de l'augmentation des graves variable permet d'augmenter la sortie de 0 à 6 dB à 40 Hz. Le réglage de cette commande est subjectif. Si vous l'utilisez, vous devez revenir à la commande de gain d'entrée et la régler pour éviter la distorsion par écrêtage du signal de l'amplificateur.

Télécommande du Niveau des Graves-CXARC (non inclus) : Grâce à la télécommande de niveau de basses CXARC facultative, vous avez la capacité de contrôler le niveau d'entrée de votre amplificateur à distance. Pour une installation en surface de la télécommande de niveau de basses CXARC, vissez simplement la télécommande à l'emplacement choisi, acheminez ensuite le câble du contrôleur vers la prise « Basses à distance » sur le panneau de commande de l'amplificateur. **NE PAS** connecter / déconnecter, tandis que l'amplificateur est sous tension..

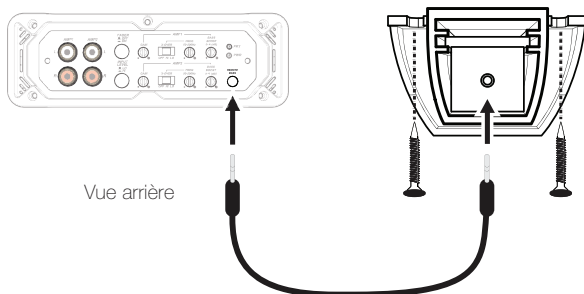
CXARC TÉLÉCOMMANDE DU NIVEAU DES GRAVES INSTALLATION

(Optionnel - CXARC non inclus.)



Câble de la télécommande passe audio, ne le font pas parallèles à câbles d'alimentation. Les télécommandes AMP2.

Installez la télécommande CXARC en surface en utilisant les vis fournies.



Vue arrière

Raccordez le cordon de raccordement de 1/8 pouces [3.5mm] alimentant la télécommande CXARC et l'entrée « Basses à distance » sur l'amplificateur.

EN CAS DE DIFFICULTÉ

Si votre amplificateur ne marche pas, vérifiez d'abord les possibilités évidentes comme les fusibles sautés, les branchements incorrects ou desserrés, le mauvais réglage des commandes de gain et du commutateur du filtre, etc. Se présentent également des DEL d'alimentation (PWR) et de protection (PRT) sur le panneau d'alimentation latéral de votre amplificateur KICKER de série CX. Selon l'état de l'amplificateur et le système de charge du véhicule, les DEL clignotent en verte ou rouge. Lorsque la DEL verte est allumée, cela indique que l'amplificateur est en marche et qu'il n'y a pas de problème.

DEL verte éteinte, aucune sortie ? En utilisant un volt/ohmmètre (VOM), vérifiez les points suivants :

- ❶ Borne d'alimentation +12 volts (entre +12 V et +16 V)
- ❷ Borne de mise sous tension à distance (entre +12 V et +16 V)
- ❸ Vérifiez que les branchements d'alimentation et de masse ne sont pas inversés.
- ❹ La conductivité de la borne de masse.
- ❺ L'état des fusibles (aucun fusible sauté).

DEL verte éclairée, aucune sortie ? Vérifiez les points suivants : ❶ Branchements RCA ❷ Testez les sorties de haut-parleur en utilisant un haut-parleur dont vous vous êtes assuré du bon fonctionnement. ❸ Remplacez l'appareil source par un appareil dont vous vous êtes assuré du bon fonctionnement. ❹ Vérifiez le passage du signal dans le câble RCA alimentant l'amplificateur en utilisant le volt/ohmmètre réglé pour mesurer la tension « c.a. ».

DEL du « protection » clignotante lorsque le volume de la musique est élevé ? La DEL rouge indique une tension faible de la batterie. Vérifiez tous les branchements du système de charge de votre véhicule. Le remplacement ou la recharge de la batterie (ou encore le remplacement de l'alternateur) de votre véhicule peut s'avérer nécessaire.

DEL du « protection » allumée, aucune sortie ? ❶ L'amplificateur est très chaud = La protection thermique est engagée. Testez l'impédance aux bornes des haut-parleurs en utilisant un volt/ohmmètre (voir les schémas de ce manuel pour des recommandations sur l'impédance minimum et diverses suggestions de câblage pour les haut-parleurs). Vérifiez également qu'il existe une circulation d'air adéquate autour de l'amplificateur. ❷ L'amplificateur ne s'arrête que lorsque le véhicule est en marche = La protection de tension est engagée. La tension à l'amplificateur ne se situe pas dans la plage de fonctionnement comprise entre 8 et 16 volts. Faites vérifier le système de recharge et le système électrique du véhicule. ❸ L'amplificateur ne marche qu'à un niveau sonore faible = La protection anti-court-circuit est engagée. Vérifiez que les fils des haut-parleurs ne sont pas en court-circuit entre eux ou avec le châssis du véhicule. Vérifiez l'état des haut-parleurs ou l'impédance qui ne doit pas tomber en dessous du seuil minimum recommandé.

Aucune sortie d'un canal ? ❶ Vérifiez le contrôle de la balance sur l'appareil source ❷ Vérifiez les branchements RCA (ou d'entrée de haut-parleur) et les branchements de sortie de haut-parleur pour le canal.

Pialement prolongé de l'alternateur avec le régime du moteur ? ❶ Vérifiez l'état du câble RCA (ou d'entrée de haut-parleur) ❷ Vérifiez l'acheminement du câble RCA (ou d'entrée de haut-parleur) ❸ Vérifiez que l'appareil source est correctement mis à la masse ❹ Vérifiez les paramètres de gain et baissez-en la valeur s'ils sont trop élevés.

Réponse réduite des graves ? Inversez le branchement d'un haut-parleur de positif à négatif sur le ou les canaux de la stéréo/du caisson des graves. L'amélioration des graves indique que le haut-parleur était déphasé.

Bruit de fond ? Les amplificateurs KICKER ont été étudiés pour être entièrement compatibles avec les unités de tête de tous les fabricants. Certaines unités de tête peuvent exiger une mise à la masse supplémentaire pour éviter toute interférence avec le signal audio. Pour remédier à ce problème éventuel, il suffit dans la plupart des cas d'acheminer un fil de masse à partir des sorties RCA sur l'unité de tête jusqu'au châssis.

ATTENTION : Lorsque vous effectuez une recharge rapide de la batterie du véhicule, assurez-vous que les branchements effectués avec les câbles de recharge rapide sont corrects. Des branchements incorrects peuvent faire sauter les fusibles de l'amplificateur et provoquer des pannes dans d'autres systèmes cruciaux du véhicule.

Si vous avez d'autres questions relatives à l'installation ou au fonctionnement de votre nouveau produit KICKER, contactez le revendeur agréé KICKER qui vous l'a vendu. Pour obtenir d'autres conseils sur l'installation, cliquez sur l'onglet SUPPORT de la page d'accueil KICKER, www.kicker.com. Sélectionnez l'onglet TECHNICAL SUPPORT, choisissez le sujet qui vous intéresse et téléchargez ou affichez les informations correspondantes. Si vous avez d'autres questions, envoyez un message électronique à support@kicker.com ou téléphonez aux services techniques en composant le (+1) 405-624-8583.



CXA360.4

65 x 4 @ 4 ohms, 14.4V C.C., 1% de Distorsion Harmonique Totale, CEA-2006B (W)
Rapport Signal sur Bruit -75dB CEA-2006B (ref: 1W, pondéré A)

ELECTRONICS LIMITED WARRANTY

When purchased from an Authorized KICKER Dealer, KICKER warrants this product to be free from defects in material and workmanship under normal use for a period of TWO (2) YEARS from date of original purchase with receipt. If this product is identified as "Refurbished" or "B Goods", the warranty is limited to a period of THREE (3) MONTHS from the date of original purchase. In all cases you must have the original receipt. Should service be necessary under this warranty for any reason due to manufacturing defect or malfunction during the warranty period, KICKER will repair or replace (at its discretion) the defective merchandise with equivalent merchandise. Warranty replacements may have cosmetic scratches and blemishes. Discontinued products may be replaced with more current equivalent products. This warranty is valid only for the original purchaser and is not extended to owners of the product subsequent to the original purchaser. Any applicable implied warranties are limited in duration to a period of the express warranty as provided herein beginning with the date of the original purchase at retail, and no warranties, whether express or implied, shall apply to this product thereafter. Some states do not allow limitations on implied warranties; therefore, these exclusions may not apply to you. This warranty gives you specific legal rights; however you may have other rights that vary from state to state.

WHAT TO DO IF YOU NEED WARRANTY OR SERVICE:

Defective merchandise should be returned to your local Authorized Stillwater Designs (KICKER) Dealer for warranty service. Assistance in locating an Authorized Dealer can be found at www.kicker.com or by contacting Stillwater Designs directly. You can confirm that a dealer is authorized by asking to see a current authorized dealer window decal.

If it becomes necessary for you to return defective merchandise directly to Stillwater Designs (KICKER), call the KICKER Customer Service Department at (405) 624-8510 for a Return Merchandise Authorization (RMA) number. Package only the defective items in a package that will prevent shipping damage, and return to:

Stillwater Designs, 3100 North Husband St, Stillwater, OK 74075

The RMA number must be clearly marked on the outside of the package. Please return only defective components. The return of functioning items increases your return freight charges. Non-defective items will be returned freightcollect to you. For example, if a subwoofer is defective, only return the defective subwoofer, not the entire enclosure. Include a copy of the original receipt with the purchase date clearly visible, and a "proof-of-purchase" statement listing the Customer's name, Dealer's name and invoice number, and product purchased. Warranty expiration on items without proof-of-purchase will be determined from the type of sale and manufacturing date code. Freight must be prepaid; items sent freight-collect, or COD, will be refused.

WHAT IS NOT COVERED?

This warranty is valid only if the product is used for the purpose for which it was designed. It does not cover:

- o Damage due to improper installation
- o Subsequent damage to other components
- o Damage caused by exposure to moisture, excessive heat, chemical cleaners, and/or UV radiation
- o Damage through negligence, misuse, accident or abuse. Repeated returns for the same damage may be considered abuse
- o Any cost or expense related to the removal or reinstallation of product
- o Speakers damaged due to amplifier clipping or distortion
- o Items previously repaired or modified by any unauthorized repair facility
- o Return shipping on non-defective items
- o Products with tampered or missing barcode labels
- o Products with tampered or missing serial numbers
- o Products returned without a Return Merchandise Authorization (RMA) number
- o Products purchased from an UNAUTHORIZED dealer
- o Freight Damage
- o The cost of shipping product to KICKER
- o Service performed by anyone other than KICKER

HOW LONG WILL IT TAKE?

KICKER strives to maintain a goal of one-week turnaround for all electronics (amplifiers, crossovers, equalizers, etc.) returns. Delays may be incurred if lack of replacement inventory or parts is encountered. Failure to follow these steps may void your warranty. Any questions can be directed to the KICKER Customer Service Department at (405) 624-8510. Contact your International KICKER dealer or distributor concerning specific procedures for your country's warranty policies.

INTERNATIONAL WARRANTY

Contact your International KICKER dealer or distributor concerning specific procedures for your country's warranty policies.

Our goods come with guarantees that cannot be excluded under the **Australian Consumer Law**. You are entitled to a replacement or refund for a major failure and for compensation for any other reasonably foreseeable loss or damage. You are also entitled to have the goods repaired or replaced if the goods fail to be of acceptable quality and the failure does not amount to a major failure.

GARANTÍA INTERNACIONAL

Versión Español

Comuníquese con su concesionario o distribuidor KICKER internacional para obtener información sobre procedimientos específicos relacionados con las normas de garantía de su país.

La frase "combustible para vivir la vida Livin' Loud™ a todo volumen" se refiere al entusiasmo por la vida que la marca KICKER de estéreos de automóvil representa y a la recomendación a nuestros clientes de que vivan lo mejor posible ("a todo volumen") en todo sentido. La línea de altavoces y amplificadores KICKER es la mejor del mercado de audio de automóviles y por lo tanto representa el "combustible" para vivir a todo volumen en el área de "estéreos de automóvil" de la vida de nuestros clientes. Recomendamos a todos nuestros clientes que obedezcan todas las reglas y reglamentos locales sobre ruido en cuanto a los niveles legales y apropiados de audición fuera del vehículo.

INTERNATIONALE GARANTIE

Deutsche Version

Nehmen Sie mit Ihren internationalen KICKER-Fachhändler oder Vertrieb Kontakt auf, um Details über die Garantieleistungen in Ihrem Land zu erfahren.

Der Slogan "Treibstoff für Livin' Loud" bezieht sich auf die mit den KICKER-Autostereosystemen assoziierte Lebensfreude und die Tatsache, dass wir unsere Kunden ermutigen, in allen Aspekten ihres Lebens nach dem Besten ("Livin' Loud") zu streben. Die Lautsprecher und Verstärker von KICKER sind auf dem Markt für Auto-Soundsysteme führend und stellen somit den "Treibstoff" für das Autostereoerlebnis unserer Kunden dar. Wir empfehlen allen unseren Kunden, sich bezüglich der zugelassenen und passenden Lautstärkepegel außerhalb des Autos an die örtlichen Lärmvorschriften zu halten.

GARANTIE INTERNATIONALE

Versión Française

Pour connaître les procédures propres à la politique de garantie de votre pays, contactez votre revendeur ou distributeur International KICKER.

L'expression "carburant pour vivre plein pot" fait référence au dynamisme de la marque KICKER d'équipements audio pour véhicules et a pour but d'encourager nos clients à faire le maximum ("vivre plein pot") dans tous les aspects de leur vie. Les haut-parleurs et amplificateurs KICKER sont les meilleurs dans le domaine des équipements audio et représentent donc pour nos clients le "carburant pour vivre plein pot" dans l'aspect "installation audio de véhicule" de leur vie. Nous encourageons tous nos clients à respecter toutes les lois et réglementations locales relatives aux niveaux sonores acceptables à l'extérieur des véhicules.

