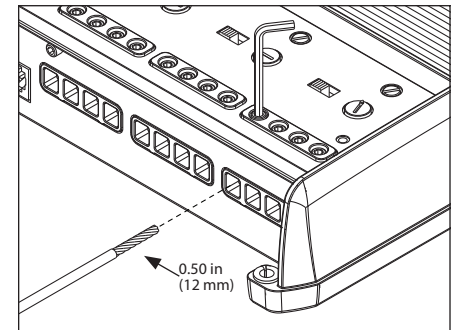
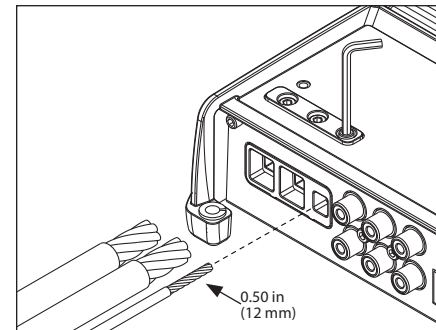
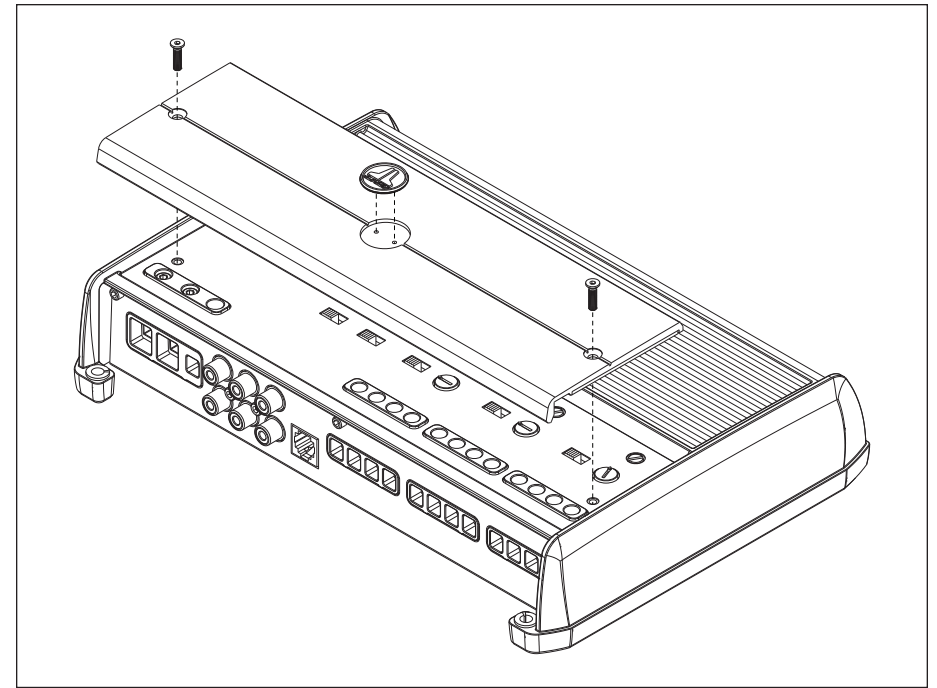
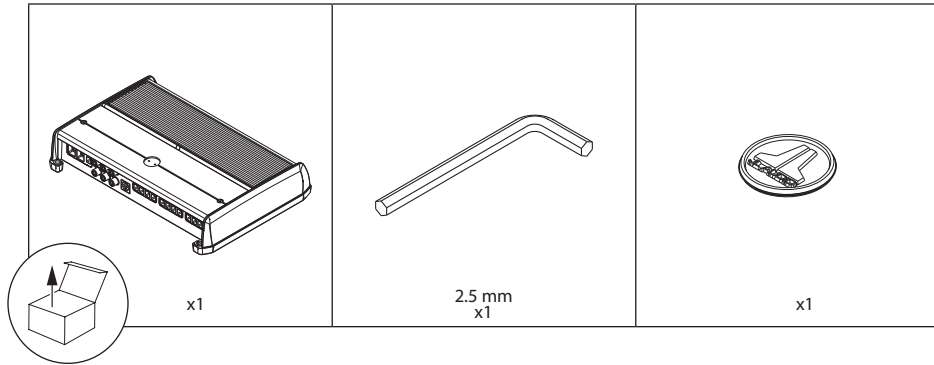




# XDM600/6

600W 6-CHANNEL AMPLIFIER

OWNER'S MANUAL  
MANUEL D'UTILISATION  
MANUAL DEL PROPIETARIO  
BEDIENUNGSANLEITUNG  
MANUALE DEL PROPRIETARIO



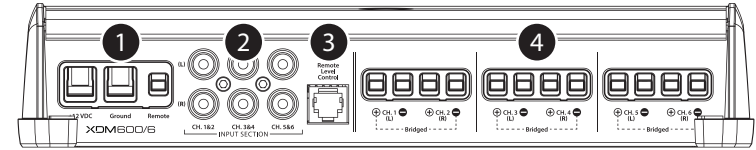
## INSTALLATION CONSIDERATIONS

- Installation requires appropriate tools and safety equipment. Professional installation is recommended.
- This product is water-resistant. Do not submerge or subject to high-pressure water spray.
- Before installation, turn off the audio system and disconnect the battery system from the audio system.
- When possible, install in a dry, well-ventilated location that does not interfere with factory-installed systems. If a dry environment is not available, a location that is not exposed to heavy splashing may be used.
- Do not install in the engine compartment, any areas of extreme heat or where it will be directly exposed to the elements.
- Before cutting or drilling, check for potential obstacles behind mounting surfaces.
- Carefully route all system wiring away moving parts and sharp edges; secure with cable ties or wire clamps and use grommets and loom where appropriate to protect from sharp edges.

## SAFETY CONSIDERATIONS

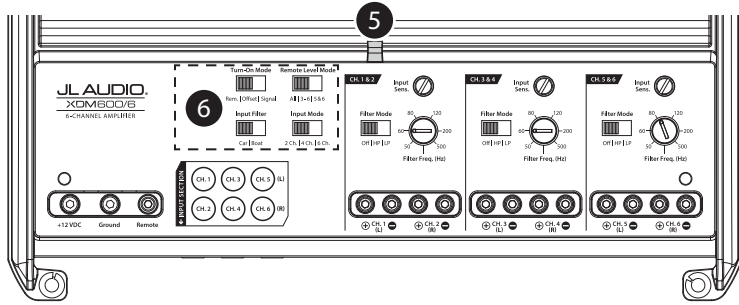
- Only use this product with 12 volt, negative-ground electrical systems. This product is not certified or approved for use in aircraft.
- Mount this product securely to prevent damage or injury in severe conditions.
- An appropriate fuse (or circuit breaker) at the main power wire is vital for vehicle/vessel safety and must be installed within 18 inches (45 cm) of the positive battery connection.
- For ABYC and NMEA applications, circuit protection is required within 7 inches (18 cm) of the battery, unless the cable is in an enclosure or conduit.
- Listen to your audio system at levels appropriate for operating conditions and hearing safety.

## CONNECTIONS



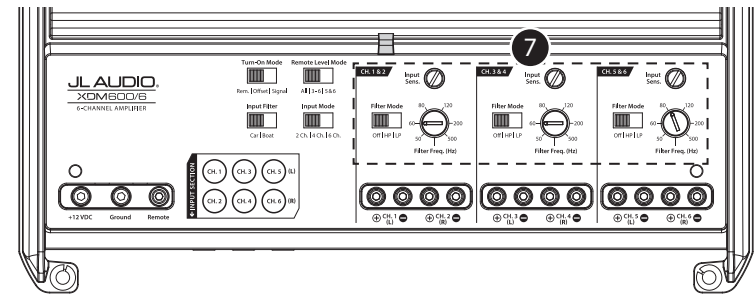
|   | Connection               | Description   | Notes  |  |
|---|--------------------------|---|--|--|
| 1 | +12 VDC                  | Positive (+12V) Power Connection                                  | • 4 AWG wire (required)<br>• Install 50A fuse at (+) battery post  |  |
|   | Ground                   | Negative (GND) Ground Connection                                  | • 4 AWG wire (required)  |  |
|   | Remote                   | Positive (+12V) Activation Connection                             | • 18 – 12 AWG wire capacity<br>• See 6 Turn On Mode for more info  |  |
| 2 | CH. 1 Input              | Left Input Signal, Black RCA                                      | • Accepts 200mV – 4V input voltage<br>• See 6 Input Mode for more info   |  |
|   | CH. 2 Input              | Right Input Signal, Red RCA                                       |  |  |
|   | CH. 3 Input              | Left Input Signal, Black RCA                                      |  |  |
|   | CH. 4 Input              | Right Input Signal, Red RCA                                       |  |  |
|   | CH. 5 Input              | Left Input Signal, Black RCA                                      |  |  |
|   | CH. 6 Input              | Right Input Signal, Red RCA                                       |  |  |
| 3 | Remote Level Control     | Remote Level Controller Connection (optional) (HD-RLC or MHD-RLC) | • Operates as an attenuator only:<br>Fully counter-clockwise = Level Muted<br>Fully clockwise = Level Unaffected |  |
| 4 | CH. 1 (L) Speaker Output | ⊕ (+) Positive Speaker Output                                     | CH. 1&2 Bridged (+)  | • Minimum impedance load:<br>Stereo mode $\geq 2$ ohms<br>Bridged mode $\geq 4$ ohms<br>• 16 – 8 AWG wire capacity |
|   |                          | ⊖ (-) Negative Speaker Output                                     |  |  |
|   | CH. 2 (R) Speaker Output | ⊕ (+) Positive Speaker Output                                     |  |  |
|   |                          | ⊖ (-) Negative Speaker Output                                     | CH. 1&2 Bridged (-)  |  |
|   | CH. 3 (L) Speaker Output | ⊕ (+) Positive Speaker Output                                     | CH. 3&4 Bridged (+)  |  |
|   |                          | ⊖ (-) Negative Speaker Output                                     |  |  |
|   | CH. 4 (R) Speaker Output | ⊕ (+) Positive Speaker Output                                     |  |  |
|   |                          | ⊖ (-) Negative Speaker Output                                     | CH. 3&4 Bridged (-)  |  |
|   | CH. 5 (L) Speaker Output | ⊕ (+) Positive Speaker Output                                     | CH. 5&6 Bridged (+)  |  |
|   |                          | ⊖ (-) Negative Speaker Output                                     |  |  |
|   | CH. 6 (R) Speaker Output | ⊕ (+) Positive Speaker Output                                     |  |  |
|   |                          | ⊖ (-) Negative Speaker Output                                     | CH. 5&6 Bridged (-)  |  |

CONTROLS



|       | Control (Function)   | Setting                              | Description  |
|-------|--|--------------------------------------|--|
| 5     | Status LED (indicates operating status)                    | Flashing Green                       | Amplifier Powering Up, Audio Output Muted  |
|       |  | Green                                | On-Normal Operation, Active Audio Output   |
|       |  | Red                                  | On-Safe Mode, Over-Temperature Condition, Audio Output Reduced<br>• Reverts to normal operation when temperature returns to a safe level   |
|       |  | Amber (yellow)                       | On-Safe Mode, Over-Current Condition, Audio Output Muted<br>• May exhibit repetitive, audible ticking or thumping noise in the output<br>• Inspect for speaker/wire short circuit or low impedance   |
|       |  | LEDs Off                             | Amplifier Turns Off (unexpectedly), Low-Voltage Condition<br>• Occurs when battery or remote turn-on voltage drops below 10V<br>• Reverts to normal operation when voltage rises above 11V   |
| 6     | Turn On Mode (configures activation method)                | Remote                               | +12V Remote Turn-On (Preferred)<br>• Controlled by a switched +12V circuit or turn-on output of your source unit/OEM interface   |
|       |  | Offset                               | DC Offset-Sensing (Automatic)<br>• Turns On by detecting the presence of small DC signal in OEM audio outputs and turns Off after the signal is removed<br><br>• Designed for high-level (speaker) signals only<br>• Detects input signal from CH. 1 (L) only<br>• Using DC Offset or Signal Sensing methods will turn the "Remote" terminal into a +12V turn-on output. |
|       |  | Signal                               | Signal-Sensing (Automatic)<br>• Turns On by detecting full-range OEM audio signals and turns OFF after the signal is removed (within 30 seconds)   |
|       | Input Filter (configures input filter application)         | Car                                  | Select for most installations (automotive or marine)   |
|       |  | Boat                                 | Select if experiencing interference from high-current mechanical switches/devices  |
|       | Input Mode (configures input signal connections)           | 2 Ch.                                | Select when using CH. 1&2 inputs only<br>• CH. 3, 5 & 7 will operate with CH. 1 signal<br>• CH. 4, 6 & 8 will operate with CH. 2 signal  |
|       |  | 4 Ch.                                | Select when using CH. 1&2 and CH. 3&4 inputs<br>• CH. 5 will operate with the sum of CH. 1&3 signals<br>• CH. 6 will operate with the sum of CH. 2&4 signals   |
|       |  | 6 Ch.                                | Select when using all six inputs   |
|       | Remote Level Mode (configures HD-RLC operation - optional) | All                                  | Adjusts level of all channels equally  |
|       |  | 3 - 6                                | Adjusts level of channels 3, 4, 5, & 6 only  |
| 5 & 6 |  | Adjusts level of channels 5 & 6 only |  |

CONTROLS



|   | Control (Function)                                    | Setting   | Description  |   |   |
|---|---|---|--|---|---|
| 7 | Input Sens. (adjusts each channel pair's input stage) | Variable  | Use to match the source unit's output voltage with the inputs of each pair of amplifier channels. See Appendix A for detailed information. |   |   |
|   |   | CH. 1&2   | Filter Mode (configures the filter of CH. 1&2)   | Off   | Filter defeated; passes full range of frequencies present at the inputs                     |
|   |   |   | Filter Freq. (Hz) (adjusts filter cutoff frequency)  | HP  | Attenuates frequencies below the CH. 1&2 "Filter Freq. (Hz)" dial, at a rate of 12dB/octave |
|   | LP  |   |  | Attenuates frequencies above the CH. 1&2 "Filter Freq. (Hz)" dial, at a rate of 12dB/octave |   |
|   | CH. 3&4   | Filter Mode (configures the filter of CH. 3&4)      | Off  | Filter defeated; passes full range of frequencies present at the inputs                     |   |
|   |   | Filter Freq. (Hz) (adjusts filter cutoff frequency) | HP   | Attenuates frequencies below the CH. 3&4 "Filter Freq. (Hz)" dial, at a rate of 12dB/octave |   |
|   |   |   | LP   | Attenuates frequencies above the CH. 3&4 "Filter Freq. (Hz)" dial, at a rate of 12dB/octave |   |
|   | CH. 5&6   | Filter Mode (configures the filter of CH. 5&6)      | Off  | Filter defeated; passes full range of frequencies present at the inputs                     |   |
|   |   | Filter Freq. (Hz) (adjusts filter cutoff frequency) | HP   | Attenuates frequencies below the CH. 5&6 "Filter Freq. (Hz)" dial, at a rate of 12dB/octave |   |
|   |   |   | LP   | Attenuates frequencies above the CH. 5&6 "Filter Freq. (Hz)" dial, at a rate of 12dB/octave |   |

## APPENDIX A:

### Input Sensitivity Level Setting

Follow the steps below to adjust the input sensitivity of each amplifier channel pair to achieve overall system balance.

| Necessary Equipment   |  |
|---|--|
| <ul style="list-style-type: none"> <li>Digital AC Voltmeter</li> <li>Sine-wave test tone recorded at 0 dBfs reference level in the frequency range to be amplified. Do not use attenuated test tones (-10 dB, -20 dB, etc.).<br/> <b>Full range channel/amplifier applications:</b> 1 kHz<br/> <b>Subwoofer channel/amplifier applications:</b> 50 Hz</li> <li>Depending on your type of source unit, the sine-wave may be played via a CD, USB thumb drive, portable media player or Bluetooth® audio source. Make sure to disable any EQ/DSP modes on your portable media player during level setting.</li> </ul> |  |
| The Nine-Step Procedure   |  |
| 1. Disconnect the speaker(s) from the amplifier's speaker output connectors.  |  |
| 2. Turn off all processing (bass/treble, loudness, EQ, etc.) on the source unit, processors (if used) and amplifier. Set the fader control to center position and the subwoofer level control to 3/4 of maximum, if used.   |  |
| 3. Turn all "Input Sens." controls all the way down.  |  |
| 4. Set the source unit volume to 3/4 of full volume. This will allow for reasonable gain overlap with moderate clipping at full volume.   |  |
| 5. Using the chart below, determine the target voltage for input sensitivity adjustment according to the nominal impedance of the speaker system connected to the amplifier outputs.  |  |
| 6. Verify that you have disconnected the speakers before proceeding. Play a track with an appropriate sine wave (within the frequency range to be amplified) at 3/4 source unit volume.   |  |
| 7. Connect the AC voltmeter to the speaker output terminals of the amplifier. If the channel pair is operating in stereo, it is only necessary to measure one channel. If bridged, make sure you test the voltage at the correct terminals (L+ and R-).   |  |
| 8. Increase the "Input Sens." control until the target voltage is observed with the voltmeter.  |  |
| 9. Once you have adjusted each channel section to its maximum low-distortion output level, reconnect the speaker(s). The "Input Sens." controls can now be adjusted downward if the amplifier requires attenuation to achieve the desired system balance.   |  |
| IMPORTANT!  |  |
| <ul style="list-style-type: none"> <li>Do not increase any "Input Sens." setting for any amplifier channel or channel pair in the system beyond the maximum level established during this procedure. Doing so will result in audible distortion and possible speaker damage.</li> <li>It will be necessary to re-adjust the "Input Sens." if any equalizer boost is activated after setting the "Input Sens." with this procedure. This applies to any EQ boost circuit, including source unit tone controls or EQ circuits. EQ cuts will not require re-adjustment.</li> </ul>                                     |  |

| Nominal Impedance | Target AC Voltage |                 |
|-------------------|-------------------|-----------------|
|                   | Stereo            | Bridged         |
| 8Ω                | 17.3 V            | 34.6 V          |
| 4Ω                | 17.3 V            | 28.2 V          |
| 2Ω                | 14.1 V            | not recommended |

## SPECIFICATIONS

| Amplifier Section  |   |                        |         |
|--|---|------------------------|---------|
| Amplifier Topology   | NexD™ Ultra-High Speed Class D  |                        |         |
| Power Supply Type  | Unregulated MOSFET Switching  |                        |         |
| Minimum Copper Power/GND Wire                              | 4 AWG<br>(Note: CCA/Copper Clad Aluminum wire is not recommended.)      |                        |         |
| Recommended Fuse   | 50 A  |                        |         |
| Rated RMS Power @ 14.4V,<br><1% THD+N                      | 75W x 6 @ 4 Ω   | 100W x 6 @ 2 Ω         |         |
|  | 150W x 3 @ 8 Ω Bridged  | 200W x 3 @ 4 Ω Bridged |         |
| Rated RMS Power @ 12.5V,<br><1% THD+N                      | 60W x 6 @ 4 Ω   | 90W x 6 @ 2 Ω          |         |
|  | 120W x 3 @ 8 Ω Bridged  | 180W x 3 @ 4 Ω Bridged |         |
| Frequency Response   | 12 Hz – 22 kHz (+0, -1dB)   |                        |         |
| S/N Ratio<br>(A-weighted, 20 Hz–20 kHz<br>noise bandwidth) | >104 dB (Referred to rated power),<br>>84 dB (Referred to 1W)           |                        |         |
| Damping Factor   | >150 / 50 Hz @ 4 Ω, >75 / 50 Hz @ 2 Ω                                   |                        |         |
| Input Section  |   |                        |         |
| Number of Inputs   | 6 (Three Stereo Pairs)  |                        |         |
| Input Type   | Differential-Balanced with RCA jack inputs                              |                        |         |
| Input Voltage Range  | 200mV – 4V RMS  |                        |         |
| Signal Processing  |   |                        |         |
| Filter Type  | CH. 1&2   | CH. 3&4                | CH. 5&6 |
|  | Active, 12dB/octave, High-Pass or Low-Pass<br>(50 – 500 Hz), defeatable |                        |         |
| Remote Level Control                                       | HD-RLC or MHD-RLC (optional). Full mute to 0 dB range.                  |                        |         |
| Dimensions   |   |                        |         |
| L x W x H  | 10.23 in. x 7.09 in. x 2.05 in. (260 mm x 180 mm x 52 mm)               |                        |         |

Due to ongoing product development, all specifications are subject to change without notice.

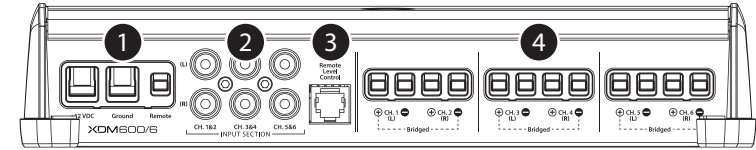
## CONSIDÉRATIONS RELATIVES À L'INSTALLATION

- L'installation nécessite des outils et des équipements de sécurité appropriés. Une installation par un professionnel est recommandée.
- Ce produit résiste à l'eau. Ne pas l'immerger ni le soumettre à un jet d'eau à haute pression.
- Avant l'installation, éteindre le système audio et débrancher la batterie de ce dernier.
- Installer si possible le produit dans un endroit sec et bien ventilé afin d'éviter toute interférence avec les systèmes installés en usine. En l'absence d'environnement sec, installer le produit dans un endroit qui n'est pas exposé à de fortes projections.
- Ne pas installer dans le compartiment moteur, dans des zones de chaleur extrême ou dans des endroits où il sera directement exposé aux éléments.
- Avant de procéder au découpage ou au perçage, vérifier l'absence d'obstacles potentiels derrière les surfaces de montage.
- Éloigner soigneusement tous les câbles des pièces mobiles et des bords tranchants. Fixer les câbles à l'aide d'attaches ou de serre-câbles et utiliser des passe-câbles et des faisceaux de câbles, si nécessaire, pour les protéger des bords tranchants.

## CONSIDÉRATIONS RELATIVES À LA SÉCURITÉ

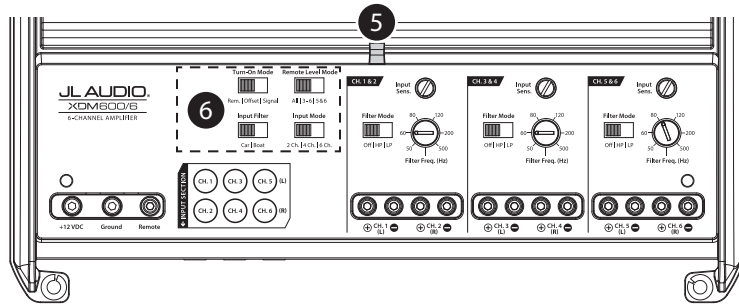
- Utiliser ce produit avec des systèmes électriques de 12 V à masse négative. Ce produit n'est ni certifié ni approuvé pour une utilisation en avion.
- Fixer solidement ce produit pour éviter tout risque de dommages ou de blessures graves.
- Un fusible (ou un disjoncteur) approprié au niveau du fil d'alimentation principal est essentiel pour la sécurité du véhicule/bateau et doit être installé à moins de 45 cm (18 po) de la connexion positive de la batterie.
- Pour les applications ABYC et NMEA, une protection du circuit est requise à moins de 18 cm (7 po) de la batterie, à moins que le câble ne soit dans une coffret ou un conduit.
- Écouter le système audio à un volume adapté aux conditions de fonctionnement et à votre audition.

## CONNEXIONS



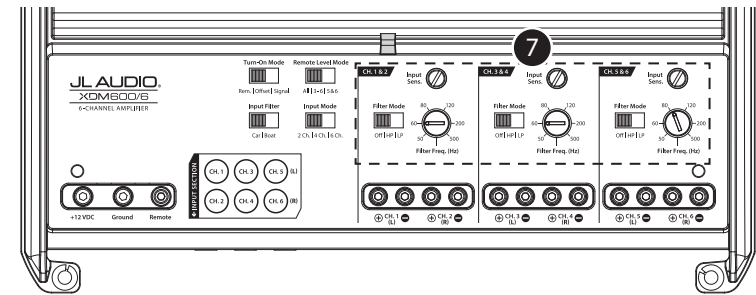
|   | Connexion  | Description   | Remarques   |                             |   |
|---|--|---|---|-----------------------------|---|
| 1 | +12VDC (+12VCC)                                      | Connexion d'alimentation positive (+12 V)                                     | • Câble 4 AWG (requis)<br>• Installer le fusible de 50 A à la borne positive (+) de la batterie   |                             |   |
|   | Ground (Masse)                                       | Connexion de masse (GND) négative   | • Câble 4 AWG (requis)  |                             |   |
|   | Remote (À distance)                                  | Connexion d'activation positive (+12 V)                                       | • Capacité de câble 18 à 12 AWG<br>• Voir 6 Mode de mise sous tension pour plus d'informations.   |                             |   |
| 2 | CH. 1 Input (Entrée canal 1)                         | Signal d'entrée gauche, RCA noir  | • Accepte une tension de 200 mV à 4 V<br>• Voir 6 Mode d'entrée pour plus d'informations.   |                             |   |
|   | CH. 2 Input (Entrée canal 2)                         | Signal d'entrée droit, RCA rouge  |   |                             |   |
|   | CH. 3 Input (Entrée canal 3)                         | Signal d'entrée gauche, RCA noir  |   |                             |   |
|   | CH. 4 Input (Entrée canal 4)                         | Signal d'entrée droit, RCA rouge  |   |                             |   |
|   | CH. 5 Input (Entrée canal 5)                         | Signal d'entrée gauche, RCA noir  |   |                             |   |
|   | CH. 6 Input (Entrée canal 6)                         | Signal d'entrée droit, RCA rouge  |   |                             |   |
| 3 | Remote Level Control (Commande de niveau à distance) | Connexion du contrôleur de niveau à distance (facultatif) (HD-RLC ou MHD-RLC) | • Fonctionne comme un atténuateur de niveau :<br>Tour complet dans le sens antihoraire = Niveau coupé<br>Tour complet dans le sens horaire = Niveau non affecté |                             |   |
| 4 | Sortie haut-parleur CH. 1 (L) (canal 1 gauche)       | +   | Sortie haut-parleur positive (+)  | Avec pont canaux 1 et 2 (+) | • Impédance de charge minimale :<br>Mode stéréo ≥ 2 ohms<br>Mode à pont ≥ 4 ohms<br>• Capacité de câble de 16 à 8 AWG |
|   |  | -   | Sortie haut-parleur négative (-)  |                             |   |
|   | Sortie haut-parleur CH. 2 (R) (Canal 2 droit)        | +   | Sortie haut-parleur positive (+)  | Avec pont canaux 1 et 2 (-) |   |
|   |  | -   | Sortie haut-parleur négative (-)  |                             |   |
|   | Sortie haut-parleur CH. 3 (L) (Canal 3 gauche)       | +   | Sortie haut-parleur positive (+)  | Avec pont canaux 3 et 4 (+) |   |
|   |  | -   | Sortie haut-parleur négative (-)  |                             |   |
|   | Sortie haut-parleur CH. 4 (R) (Canal 4 droit)        | +   | Sortie haut-parleur positive (+)  | Avec pont canaux 3 et 4 (-) |   |
|   |  | -   | Sortie haut-parleur négative (-)  |                             |   |
|   | Sortie haut-parleur CH. 5 (L) (Canal 5 gauche)       | +   | Sortie haut-parleur positive (+)  | Avec pont canaux 5 et 6 (+) |   |
|   |  | -   | Sortie haut-parleur négative (-)  |                             |   |
|   | Sortie haut-parleur CH. 6 (R) (Canal 6 droit)        | +   | Sortie haut-parleur positive (+)  | Avec pont canaux 5 et 6 (-) |   |
|   |  | -   | Sortie haut-parleur négative (-)  |                             |   |

## BOUTONS DE RÉGLAGE



| Bouton de réglage (Fonction)   | Réglage   | Description  |  |  |
|--|---|--|--|--|
| <b>5</b><br><b>Voyant d'état</b><br>(indique l'état de fonctionnement)                             | Vert clignotant   | L'amplificateur est en cours de démarrage, la sortie audio est coupée.   |  |  |
|  | Vert  | Allumé et fonctionnement normal, sortie audio active   |  |  |
|  | Rouge   | Mode sécurisé activé, condition de surchauffe, sortie audio réduite<br>• Revient à la position normale lorsque la température revient à un niveau sûr.   |  |  |
|  | Orange (jaune)  | Mode sécurisé activé, condition de surintensité, sortie audio coupée<br>• Bruit de tic-tac ou bruit sourd répétitif audible possible au niveau de la sortie<br>• Vérifiez qu'il n'y a pas une faible impédance ou un court-circuit entre le haut-parleur et le fil.      |  |  |
|  | Voyants éteints   | L'amplificateur s'éteint (inopinément), condition de tension faible.<br>• Se produit lorsque la tension de la batterie ou de la mise sous tension à distance tombe en dessous de 10 V.<br>• Revient au fonctionnement normal lorsque la tension monte au-dessus de 11 V. |  |  |
| <b>6</b><br><b>Turn On Mode (Mode de mise sous tension)</b><br>(configure la méthode d'activation) | Remote (À distance)   | Mise sous tension à distance +12 V (conseillé)<br>• Commandé par un circuit +12 V commuté ou par la sortie de mise sous tension de votre unité source/interface OEM.   |  |  |
|  | Offset  | Détection d'offset CC (Automatique)<br>• S'allume en détectant la présence d'un petit signal continu dans les sorties audio OEM et s'éteint une fois le signal supprimé.   | <ul style="list-style-type: none"> <li>Conçu pour les signaux de haut niveau (haut-parleur) uniquement</li> <li>Détecte le signal d'entrée du canal 1 (L) (Gauche) uniquement</li> <li>L'utilisation de méthodes de détection de signal ou d'offset CC transformera la borne « Remote » en une sortie +12 V de mise sous tension.</li> </ul> |  |
|  |   | Signal   |  | Détection de signal (automatique)<br>• S'allume en détectant les signaux audio OEM « full-range » et s'éteint en l'absence de signal (dans les 30 secondes).   |
|  | <b>Input Filter (Filtre d'entrée)</b><br>(configure l'application du filtre d'entrée)                                   | Car (Voiture)  | À sélectionner pour la plupart des installations (automobiles ou marines)  |  |
|  |   | Boat (Bateau)  | À sélectionner en cas d'interférences avec les interrupteurs/appareils mécaniques à courant élevé  |  |
|  | <b>Input Mode (Mode d'entrée)</b><br>(configure l'application du signal d'entrée)                                       | 2 Ch. (2 canaux)   | Sélectionnez cette position si vous utilisez les entrées 1 et 2 uniquement.<br>• Les canaux 3, 5 et 7 fonctionneront avec le signal du canal 1.<br>• Les canaux 4, 6 et 8 fonctionneront avec le signal du canal 2.  |  |
|  |   | 4 Ch. (4 canaux)   | Sélectionnez cette position si vous utilisez les entrées des canaux 1 et 2 et des canaux 3 et 4.<br>• Le canal 5 fonctionnera avec la somme des signaux des canaux 1 et 3.<br>• Le canal 6 fonctionnera avec la somme des signaux des canaux 2 et 4.   |  |
|  |   | 6 Ch. (6 canaux)   | Sélectionnez cette position lorsque vous utilisez les 6 entrées.   |  |
|  | <b>Remote Level Mode (Mode de contrôle de niveau à distance)</b><br>(configure le fonctionnement du HD-RLC, facultatif) | All (Tous)   | Règle le niveau de tous les canaux de manière identique.   | <ul style="list-style-type: none"> <li>Vous pouvez contrôler plusieurs amplificateurs avec un seul HD-RLC à l'aide d'un répartiteur de ligne téléphonique monoligne et de plusieurs câbles téléphoniques.</li> </ul> |
|  |   | 3 à 6  | Règle le niveau des canaux 3, 4, 5 et 6 uniquement.  |  |
| 5 et 6   |   | Règle le niveau des canaux 5 et 6 uniquement.  |  |  |

## BOUTONS DE RÉGLAGE



| Bouton de réglage (Fonction)  | Réglage   | Description  |  |  |
|---|---|--|--|--|
| <b>7</b>  | <b>Input Sens. (Sens. d'entrée)</b><br>(règle l'étage d'entrée de chaque paire de canaux) | Variable   | Permet de faire correspondre la tension de sortie de l'unité source avec les entrées de chaque paire de canaux de l'amplificateur. Voir l'Annexe A pour plus de détails. |  |
|   | Canaux 1 et 2   | <b>Filter Mode (Mode de filtre)</b><br>(configure le filtre des canaux 1 et 2)   | Off (Désactivé)  | Annulation du filtre ; permet la totalité de la plage de fréquences présentes aux entrées. |
|   |   | HP (Passe-haut)  | Atténue les fréquences en dessous de celle du cadran « Filter Freq. (Hz) » des canaux 1 et 2, à un taux de 12 dB/octave.   |  |
|   |   | LP (Passe-bas)   | Atténue les fréquences au-dessus de celle du cadran « Filter Freq. (Hz) » des canaux 1 et 2, à un taux de 12 dB/octave.  |  |
|   | <b>Filter Freq. (Hz) (Fréq. de filtre)</b><br>(règle la fréquence de coupure du filtre)   | Variable   | Permet de régler la fréquence de coupure du filtre actif des canaux 1 et 2, de 50 Hz à 500 Hz / 12 dB par octave.  |  |
|   | Canaux 3 et 4   | <b>Filter Mode (Mode de filtre)</b><br>(configure le filtre des canaux 3 et 4)   | Off (Désactivé)  | Annulation du filtre ; permet la totalité de la plage de fréquences présentes aux entrées. |
|   |   | HP (Passe-haut)  | Atténue les fréquences en dessous de celle du cadran « Filter Freq. (Hz) » des canaux 3 et 4, à un taux de 12 dB/octave.   |  |
|   |   | LP (Passe-bas)   | Atténue les fréquences au-dessus de celle du cadran « Filter Freq. (Hz) » des canaux 3 et 4, à un taux de 12 dB/octave.  |  |
|   | <b>Filter Freq. (Hz) (Fréq. de filtre)</b><br>(règle la fréquence de coupure du filtre)   | Variable   | Permet de régler la fréquence de coupure du filtre actif des canaux 3 et 4, de 50 Hz à 500 Hz / 12 dB par octave.  |  |
|   | Canaux 5 et 6   | <b>Filter Mode (Mode de filtre)</b><br>(configure le filtre des canaux 5 et 6)   | Off (Désactivé)  | Annulation du filtre ; permet la totalité de la plage de fréquences présentes aux entrées. |
| HP (Passe-haut)   |   | Atténue les fréquences en dessous de celle du cadran « Filter Freq. (Hz) » des canaux 5 et 6, à un taux de 12 dB/octave. |  |  |
| LP (Passe-bas)  |   | Atténue les fréquences au-dessus de celle du cadran « Filter Freq. (Hz) » des canaux 5 et 6, à un taux de 12 dB/octave.  |  |  |
| <b>Filter Freq. (Hz) (Fréq. de filtre)</b><br>(règle la fréquence de coupure du filtre) | Variable  | Permet de régler la fréquence de coupure du filtre actif des canaux 5 et 6, de 50 Hz à 500 Hz / 12 dB par octave.        |  |  |

## ANNEXE A :

### Réglage du niveau de sensibilité d'entrée

Suivez les étapes ci-dessous pour régler la sensibilité d'entrée de chaque paire de canaux de l'amplificateur afin d'obtenir un équilibre global du système.

| Matériel nécessaire   |  |
|---|--|
| <ul style="list-style-type: none"> <li>• Voltmètre CA numérique</li> <li>• Test d'ondes sinusoïdales enregistrées à un niveau de référence de 0 dB FS dans la plage de fréquences à amplifier (50 Hz est un bon choix).</li> </ul> <p>N'utilisez pas de tonalités de test atténuées (-10 dB, -20 dB, etc.).<br/> <b>Applications canaux/amplificateur « full-range » :</b> 1 kHz<br/> <b>Applications canal/amplificateur de subwoofer :</b> 50 Hz</p> <ul style="list-style-type: none"> <li>• Selon le type d'unité source, l'onde sinusoïdale peut être lue via un CD, une clé USB, un lecteur multimédia portable ou une source audio Bluetooth®. Veuillez à désactiver tous les modes EQ/DSP de votre lecteur multimédia portable pendant le réglage du niveau.</li> </ul>                                   |  |
| Procédure en neuf étapes  |  |
| 1. Déconnectez les haut-parleurs des connecteurs de la sortie haut-parleur de l'amplificateur.  |  |
| 2. Désactivez tous les traitements (basses/aigus, niveau sonore, correction, etc.) sur l'unité source, les processeurs (le cas échéant) et l'amplificateur.<br>Réglez la commande d'atténuateur sur la position du milieu et le bouton de réglage de niveau du subwoofer à un niveau maximum de 3/4.  |  |
| 3. Réduisez complètement les valeurs de la totalité des trois boutons de réglage « <b>Input Sens.</b> ».  |  |
| 4. Réglez le volume de l'unité source au 3/4. Cela permettra un chevauchement des gains raisonnable avec un découpage modéré à plein volume.  |  |
| 5. À l'aide du tableau ci-dessous, déterminez la tension cible pour le réglage de la sensibilité d'entrée en fonction de l'impédance nominale du système de haut-parleur connecté aux sorties de l'amplificateur.   |  |
| 6. Vérifiez que vous avez déconnecté les haut-parleurs avant de poursuivre. Lisez une piste présentant une onde sinusoïdale appropriée (dans la plage de fréquence à amplifier) au 3/4 du volume de l'unité source.   |  |
| 7. Connectez le voltmètre CA aux connecteurs de sortie de haut-parleur de l'amplificateur. Si la paire de canaux fonctionne en stéréo, il ne faut effectuer la mesure que pour un seul canal. Si vous utilisez un pont, veillez à tester la tension au niveau des bornes adéquates (L+ et R-) (G+ et D-).   |  |
| 8. Augmentez la valeur du bouton de réglage « <b>Input Sens.</b> » jusqu'à ce que la tension souhaitée apparaisse sur le voltmètre.   |  |
| 9. Une fois que vous avez réglé chacune des sections de canal à son niveau maximal de sortie à faible distorsion, reconnectez le ou les haut-parleurs. La valeur des boutons de réglage « <b>Input Sens.</b> » peut maintenant être réduite si une atténuation de l'amplificateur est nécessaire pour obtenir l'équilibre système souhaité.   |  |
| IMPORTANT !   |  |
| <ul style="list-style-type: none"> <li>• N'augmentez la valeur du réglage « <b>Input Sens.</b> » pour aucun canal ou aucune paire de canaux d'amplificateur du système au-delà du niveau maximal établi dans le cadre de cette procédure. Cette manipulation entraînera une distorsion audible et causera d'éventuels dommages aux haut-parleurs.</li> <li>• Il sera nécessaire de régler à nouveau la valeur du réglage « <b>Input Sens.</b> » si une amplification par égaliseur est activée après avoir réglé la valeur de « <b>Input Sens.</b> » avec cette procédure. Cela s'applique à n'importe quel circuit d'amplification d'égaliseur, y compris aux commandes de tonalité de l'unité source ou aux circuits de d'égalisation. Les coupures d'égalisation ne nécessitent aucun réajustement.</li> </ul> |  |

| Impédance nominale | Tension CA cible |               |
|--------------------|------------------|---------------|
|                    | Stéréo           | À pont        |
| 8 Ω                | 17,3 V           | 34,6 V        |
| 4 Ω                | 17,3 V           | 28,2 V        |
| 2 Ω                | 14,1 V           | non conseillé |

## SPÉCIFICATIONS TECHNIQUES

| Section de l'amplificateur   |  |                           |
|--|--|---------------------------|
| Topologie de l'amplificateur   | Classe D ultra-rapide NexD™  |                           |
| Type d'alimentation électrique   | Commutateur MOSFET non régulé  |                           |
| Section minimale du câble d'alimentation/de masse en cuivre              | 4 AWG<br>(Remarque : un fil d'aluminium plaqué cuivre/CCA n'est pas recommandé.) |                           |
| Fusible recommandé   | 50 A   |                           |
| Puissance RMS nominale à 14,4 V, < 1% de THD + bruit                     | 75 W x 6 à 4 Ω   | 100 W x 6 à 2 Ω           |
|  | 150 W x 3 à 8 Ω avec pont  | 200 W x 3 à 4 Ω avec pont |
| Puissance RMS nominale à 12,5 V, < 1% de THD + bruit                     | 60 W x 6 à 4 Ω   | 90 W x 6 à 2 Ω            |
|  | 120 W x 3 à 8 Ω avec pont  | 180 W x 3 à 4 Ω avec pont |
| Réponse de fréquence   | 12 Hz à 22 kHz (+0, -1 dB)   |                           |
| Rapport signal/bruit (pondéré A, bande passante de bruit 20 Hz à 20 kHz) | > 104 dB par rapport à la puissance nominale, > 84 dB par rapport à 1 W          |                           |
| Facteur d'amortissement  | > 150 / 50 Hz à 4 Ω, > 75 / 50 Hz à 2 Ω  |                           |
| Section de l'entrée  |  |                           |
| Nombre d'entrées   | 6 (trois paires stéréo)  |                           |
| Type d'entrée  | Équilibrée-différentielle avec prises d'entrée RCA                               |                           |
| Plage de tension d'entrée  | 200 mV - 4 V RMS   |                           |
| Traitement des signaux   |  |                           |
| Type de filtre   | Canaux 1 et 2  | Canaux 3 et 4             |
|  | Canaux 5 et 6  |                           |
|  | Actif, 12 dB/octave, passe-haut ou passe-bas (50 à 500 Hz), désactivable         |                           |
| Remote Level Control (Commande de niveau à distance)                     | HD-RLC ou MHD-RLC (facultatif). Sourdisse complète jusqu'à 0 dB.                 |                           |
| Dimensions   |  |                           |
| L x P x H  | 260 mm x 180 mm x 52 mm (10,23 po x 7,09 po x 2,05 po)                           |                           |

En raison d'un développement permanent de nos produits, toutes les caractéristiques sont susceptibles d'être modifiées sans préavis.



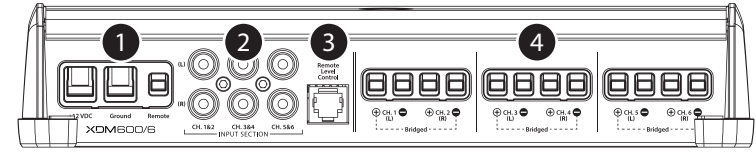
## CONSIDERACIONES SOBRE LA INSTALACIÓN

- Para la instalación se requieren herramientas y equipos de seguridad adecuados. Se recomienda que la instalación la realice un profesional.
- Este producto es resistente al agua. No se debe sumergir ni rociar con agua a alta presión.
- Antes de la instalación, apague el sistema de audio y desconecte el sistema de batería del sistema de audio.
- A ser posible, instálelo en un lugar seco y bien ventilado que no interfiera con los sistemas instalados de fábrica. Si no se dispone de un entorno seco, puede utilizarse un lugar que no esté expuesto a fuertes salpicaduras.
- No lo instale en el compartimento del motor, en zonas de calor extremo o donde vaya a estar directamente expuesto a la intemperie.
- Antes de cortar o taladrar, compruebe que no haya obstáculos detrás de las superficies de montaje.
- Coloque cuidadosamente todo el cableado del sistema lejos de piezas móviles y de bordes afilados; asegúrelo con flejes o abrazaderas para cables y utilice pasacables y protectores de mazos de cables cuando sea necesario para protegerlo de los bordes afilados.

## CONSIDERACIONES RELATIVAS A LA SEGURIDAD

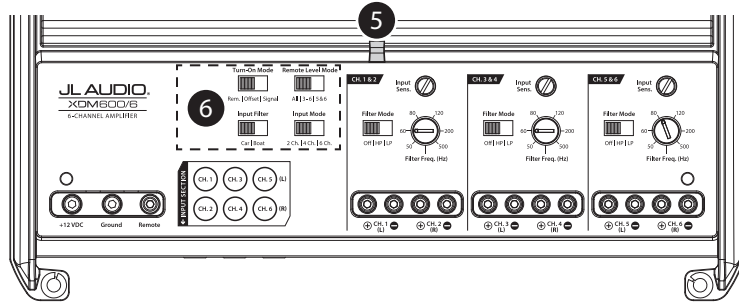
- Utilice este producto únicamente con sistemas eléctricos de 12 V que tengan toma de tierra negativa. Este producto no está certificado ni aprobado para su uso en aeronaves.
- Monte este producto de forma segura para evitar daños o lesiones en condiciones extremas.
- Para garantizar la seguridad del vehículo/embarcación, es imprescindible contar con un fusible adecuado (o un disyuntor) en el cable de alimentación principal y debe instalarse a menos de 18 pulgadas (45 cm) de la conexión positiva de la batería.
- Para las aplicaciones ABYC y NMEA, se requiere una protección del circuito a menos de 7 pulgadas (18 cm) de la batería, excepto si el cable está en un alojamiento o conducto.
- Escuche el sistema de audio a un volumen adecuado, teniendo en cuenta las condiciones de funcionamiento y la seguridad auditiva.

## CONEXIONES



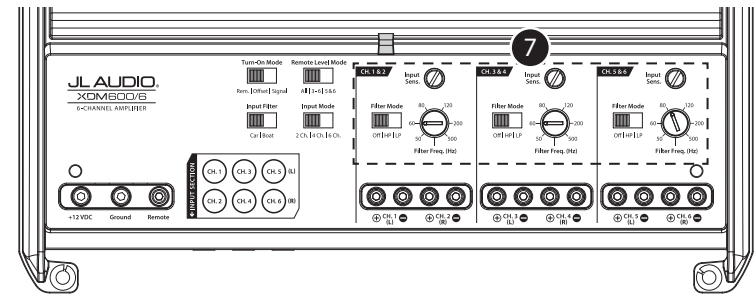
|   | Conexión                        | Descripción  |                                       | Notas  |  |
|---|---------------------------------|--|---------------------------------------|--|--|
| 1 | +12 VDC                         | Conexión de alimentación positiva (+12 V)                              |                                       | • Cable 4 AWG (necesario)<br>• Instale un fusible de 50 A en el terminal (+) de la batería                                 |  |
|   | Ground                          | Conexión a tierra negativa (GND)                                       |                                       | • Cable 4 AWG (necesario)  |  |
|   | Remote                          | Conexión de activación positiva (+12 V)                                |                                       | • Cable con capacidad 18-12 AWG<br>• Consulte 6 Turn-On Mode para obtener más información                                  |  |
| 2 | Input CH. 1                     | Señal de entrada izquierda, RCA negro                                  |                                       | • Acepta un voltaje de entrada de 200 mV-4 V<br>• Consulte 6 Input Mode para obtener más información                       |  |
|   | Input CH. 2                     | Señal de entrada derecha, RCA rojo                                     |                                       |  |  |
|   | Input CH. 3                     | Señal de entrada izquierda, RCA negro                                  |                                       |  |  |
|   | Input CH. 4                     | Señal de entrada derecha, RCA rojo                                     |                                       |  |  |
|   | Input CH. 5                     | Señal de entrada izquierda, RCA negro                                  |                                       |  |  |
|   | Input CH. 6                     | Señal de entrada derecha, RCA rojo                                     |                                       |  |  |
| 3 | Remote Level Control            | Conexión del controlador de nivel remoto (opcional) (HD-RLC o MHD-RLC) |                                       | • Funciona solo como atenuador:<br>Todo hacia la izquierda = Nivel silenciado<br>Todo hacia la derecha = Nivel no afectado |  |
| 4 | Salida para altavoces CH. 1 (L) | +  | (+) Positivo de salida para altavoces | (+) si CH. 1 y 2 puenteados  | • Carga de impedancia mínima:<br>Modo estéreo $\geq 2 \Omega$<br>Modo puenteados $\geq 4 \Omega$<br>• Cable con capacidad 16-8 AWG |
|   |                                 | -  | (-) Negativo de salida para altavoces |  |  |
|   | Salida para altavoces CH. 2 (R) | +  | (+) Positivo de salida para altavoces |  |  |
|   |                                 | -  | (-) Negativo de salida para altavoces | (-) si CH. 1 y 2 puenteados  |  |
|   | Salida para altavoces CH. 3 (L) | +  | (+) Positivo de salida para altavoces | (+) si CH. 3 y 4 puenteados  |  |
|   |                                 | -  | (-) Negativo de salida para altavoces |  |  |
|   | Salida para altavoces CH. 4 (R) | +  | (+) Positivo de salida para altavoces |  |  |
|   |                                 | -  | (-) Negativo de salida para altavoces | (-) si CH. 3 y 4 puenteados  |  |
|   | Salida para altavoces CH. 5 (L) | +  | (+) Positivo de salida para altavoces | (+) si CH. 5 y 6 puenteados  |  |
|   |                                 | -  | (-) Negativo de salida para altavoces |  |  |
|   | Salida para altavoces CH. 6 (R) | +  | (+) Positivo de salida para altavoces |  |  |
|   |                                 | -  | (-) Negativo de salida para altavoces | (-) si CH. 5 y 6 puenteados  |  |

CONTROLES



| Control (y su función)   | Ajuste             | Descripción   |
|--|--------------------|---|
| <b>5</b><br><b>LED de estado</b><br>(indica estado de operación)                     | Verde intermitente | El amplificador se está encendiendo, la salida de audio está silenciada.  |
|  | Verde              | Encendido y funcionamiento normal, salida de audio activa.  |
|  | Rojo               | Encendido en modo seguro, condición de sobretensión, salida de audio reducida.<br>• Regresa al funcionamiento normal cuando la temperatura vuelve a un nivel seguro.  |
|  | Ámbar (amarillo)   | Encendido en modo seguro, condición de sobrecorriente, salida de audio silenciada.<br>• Puede presentar un traqueteo o golpeteo audible en la salida.<br>• Inspeccione si hay un cortocircuito en el altavoz/cable o una baja impedancia.   |
|  | LED apagados       | El amplificador se apaga (inesperadamente), condición de bajo voltaje.<br>• Se produce cuando el voltaje de la batería o del encendido remoto cae por debajo de 10 V.<br>• Regresa al funcionamiento normal cuando el voltaje vuelve a superar los 11 V.  |
| <b>6</b><br><b>Turn-On Mode</b><br>(configura el modo de encendido)                  | Remote             | Encendido remoto de +12 V (preferido).<br>• Controlado por un circuito conmutado de +12 V o por la salida de encendido de su unidad fuente/interfaz de OEM.   |
|  | Offset             | Detección de corrimiento de CC (automática)<br>• Se enciende al detectar la presencia de una pequeña señal de CC en las salidas de audio de OEM y se apaga una vez que se elimina la señal.<br>• Diseñado solo para señales de alto nivel (altavoz).<br>• Detecta la señal de entrada del CH. 1 (L) solamente.<br>• Al usar los métodos de detección de señales o corrimiento de CC, el terminal "Remote" se convierte en una salida de encendido de +12 V. |
|  | Signal             | Detección de señal (automática)<br>• Se enciende al detectar señales de audio de OEM de rango completo y se apaga después de que la señal se haya eliminado (tras 30 segundos).   |
| <b>6</b><br><b>Input Filter</b><br>(configura la aplicación del filtro de entrada)   | Car                | Seleccione este para la mayoría de las instalaciones (automotrices o marinas).  |
|  | Boat               | Seleccione este si experimenta interferencias de interruptores/dispositivos mecánicos de alta corriente.  |
| <b>6</b><br><b>Input Mode</b><br>(configura las conexiones de señal de entrada)      | 2 Ch.              | Seleccione este al usar solo las entradas CH. 1 y 2.<br>• CH. 3, 5 y 7 funcionarán con la señal del CH. 1.<br>• CH. 4, 6 y 8 funcionarán con la señal del CH. 2.  |
|  | 4 Ch.              | Seleccione este al usar las entradas CH. 1 y 2 y CH. 3 y 4.<br>• CH. 5 funcionará con la suma de las señales de CH. 1 y 3.<br>• CH. 6 funcionará con la suma de las señales de CH. 2 y 4.   |
|  | 6 Ch.              | Seleccione este al usar las seis entradas.  |
| <b>6</b><br><b>Remote Level Mode</b><br>(configura la operación de HD-RLC, opcional) | All                | Ajusta el nivel de todos los canales por igual.<br>• Se pueden controlar varios amplificadores desde un único HD-RLC utilizando un divisor de línea telefónica no dúplex y varios cables telefónicos.   |
|  | 3 - 6              | Ajusta el nivel de los canales 3, 4, 5 y 6 solamente.   |
|  | 5 & 6              | Ajusta el nivel de los canales 5 y 6 solamente.   |

CONTROLES



| Control (y su función)   | Ajuste   | Descripción   |   |
|--|--|---|---|
| <b>7</b><br><b>Input Sens.</b><br>(ajusta la etapa de entrada de cada par de canales)                    | Variable   | Se utiliza para hacer coincidir el voltaje de salida de la unidad fuente con las entradas de cada par de canales del amplificador. Consulte el apéndice A para obtener información detallada. |   |
|  | <b>7</b><br><b>CH. 1&amp;2</b><br><b>Filter Mode</b><br>(configura el filtro de CH. 1 y 2)               | Off   | Filtro desactivado; pasa toda la gama de frecuencias presentes en las entradas.                                       |
|  |  | HP  | Atenua las frecuencias por debajo del dial de CH. 1&2 "Filter Freq. (Hz)", a razón de 12 dB/octava.                   |
|  |  | LP  | Atenua las frecuencias por encima del dial de CH. 1&2 "Filter Freq. (Hz)", a razón de 12 dB/octava.                   |
|  | <b>7</b><br><b>CH. 1&amp;2</b><br><b>Filter Freq. (Hz)</b><br>(ajusta la frecuencia de corte del filtro) | Variable  | Sirve para ajustar la frecuencia de corte del filtro activo de los canales 1 y 2, de 50 Hz a 500 Hz/12 dB por octava. |
|  |  | <b>7</b><br><b>CH. 3&amp;4</b><br><b>Filter Mode</b><br>(configura el filtro de CH. 3 y 4)  | Off   |
| HP   |  |   | Atenua las frecuencias por debajo del dial de CH. 3&4 "Filter Freq. (Hz)", a razón de 12 dB/octava.                   |
| LP   | Atenua las frecuencias por encima del dial de CH. 3&4 "Filter Freq. (Hz)", a razón de 12 dB/octava.      |   |   |
| <b>7</b><br><b>CH. 3&amp;4</b><br><b>Filter Freq. (Hz)</b><br>(ajusta la frecuencia de corte del filtro) | Variable   | Sirve para ajustar la frecuencia de corte del filtro activo de los canales 3 y 4, de 50 Hz a 500 Hz/12 dB por octava.   |   |
|  | <b>7</b><br><b>CH. 5&amp;6</b><br><b>Filter Mode</b><br>(configura el filtro de CH. 5 y 6)               | Off   | Filtro desactivado; pasa toda la gama de frecuencias presentes en las entradas.                                       |
|  |  | HP  | Atenua las frecuencias por debajo del dial de CH. 5&6 "Filter Freq. (Hz)", a razón de 12 dB/octava.                   |
| LP   |  | Atenua las frecuencias por encima del dial de CH. 5&6 "Filter Freq. (Hz)", a razón de 12 dB/octava.   |   |
| <b>7</b><br><b>CH. 5&amp;6</b><br><b>Filter Freq. (Hz)</b><br>(ajusta la frecuencia de corte del filtro) | Variable   | Sirve para ajustar la frecuencia de corte del filtro activo de los canales 5 y 6, de 50 Hz a 500 Hz/12 dB por octava.   |   |

## APÉNDICE A:

### Ajuste del nivel de sensibilidad de entrada

Siga los pasos que se indican a continuación para ajustar la sensibilidad de entrada de cada par de canales del amplificador con el fin de lograr un balance general en el sistema.

| Equipos necesarios   |   |
|--|---|
| <ul style="list-style-type: none"> <li>Voltímetro de CA digital.</li> <li>Tono de prueba de onda sinusoidal grabado a un nivel de referencia de 0 dBFS en el rango de frecuencias que se amplificará. No use tonos de prueba atenuados (-10 dB, -20 dB, etc.).</li> <li>Aplicaciones de amplificador/canal de rango completo: 1 kHz</li> <li>Aplicaciones de amplificador/canal de subwoofer: 50 Hz</li> <li>Dependiendo del tipo de unidad fuente, la onda sinusoidal puede reproducirse desde un CD, una unidad USB, un reproductor multimedia portátil o una fuente de audio Bluetooth*. Asegúrese de desactivar todos los modos de ecualización y procesamiento digital de señales en su reproductor multimedia portátil durante el ajuste del nivel.</li> </ul> |   |
| El procedimiento de los nueve pasos  |   |
| 1.   | Desconecte los altavoces de los conectores de salida para altavoces del amplificador.   |
| 2.   | Desactive todo el procesamiento (bajos/agudos, intensidad, ecualizador, etc.) en la unidad fuente, los procesadores (si se usan) y el amplificador.<br>Ajuste el control de atenuación a la posición central y el control de nivel del subwoofer a 3/4 del máximo, si se utiliza uno. |
| 3.   | Gire todos los controles "Input Sens." al mínimo.   |
| 4.   | Ajuste el volumen de la unidad fuente a 3/4 del volumen máximo. Esto le permitirá obtener un solapamiento de ganancia razonable con distorsión moderada a volumen máximo.   |
| 5.   | Use la tabla a continuación para determinar el voltaje deseado para los ajustes de amplificación de entrada de acuerdo con la impedancia nominal del sistema de altavoces conectado a las salidas del amplificador.   |
| 6.   | Compruebe que se hayan desconectado los altavoces antes de continuar. Reproduzca una grabación de una onda sinusoidal apropiada (dentro del rango de frecuencias que se amplificarán) a 3/4 del volumen máximo de la unidad fuente.   |
| 7.   | Conecte el voltímetro de CA en los terminales de salida de altavoces del amplificador. Si el par de canales está funcionando en estéreo, solo es necesario medir un canal. Si está puenteado, asegúrese de evaluar el voltaje en los conectores correctos (L+ y R-).                  |
| 8.   | Aumente el control de "Input Sens." hasta que se observe el voltaje deseado en el voltímetro.   |
| 9.   | Una vez ajustada cada sección de canal al máximo de su nivel de salida de baja distorsión, vuelva a conectar el altavoz o los altavoces. Ahora, puede bajar los controles de "Input Sens." si el amplificador requiere atenuación para lograr el balance deseado en el sistema.       |
| ¡IMPORTANTE!   |   |
| <ul style="list-style-type: none"> <li>No aumente el ajuste de "Input Sens." de los canales o pares de canales del amplificador en el sistema por encima del nivel máximo establecido durante este procedimiento. Si lo hiciera, causaría una distorsión audible y posibles daños en los altavoces.</li> <li>Será necesario volver a ajustar el control "Input Sens." si se activa algún refuerzo de ecualizador después de haber ajustado el valor de "Input Sens." mediante este procedimiento. Esto se aplica a cualquier circuito de refuerzo de ecualizador, incluidos los controles de tono de la unidad fuente o los circuitos del ecualizador. Los cortes del ecualizador no requieren reajuste.</li> </ul>  |   |

| Impedancia nominal | Voltaje de CA deseado |                |
|--------------------|-----------------------|----------------|
|                    | Estéreo               | Puenteado      |
| 8 Ω                | 17,3 V                | 34,6 V         |
| 4 Ω                | 17,3 V                | 28,2 V         |
| 2 Ω                | 14,1 V                | no recomendado |

## ESPECIFICACIONES

| Sección del amplificador  |  |                           |
|---|--|---------------------------|
| Topología del amplificador  | NexD™ de velocidad ultrarrápida clase D  |                           |
| Tipo de fuente de alimentación  | Conmutación no regulada con MOSFET   |                           |
| Calibre mínimo del cable de cobre de alimentación/toma a tierra                   | 4 AWG<br>(Nota: No se recomienda el cable de aluminio revestido de cobre o CCA.) |                           |
| Fusible recomendado   | 50 A   |                           |
| Potencia RMS nominal a 14,4 V,<br>< 1 % THD + ruido                               | 75 W × 6 a 4 Ω   | 100 W × 6 a 2 Ω           |
|   | 150 W × 3 a 8 Ω puenteado  | 200 W × 3 a 4 Ω puenteado |
| Potencia RMS nominal a 12,5 V,<br>< 1 % THD + ruido                               | 60 W × 6 a 4 Ω   | 90 W × 6 a 2 Ω            |
|   | 120 W × 3 a 8 Ω puenteado  | 180 W × 3 a 4 Ω puenteado |
| Respuesta de frecuencia   | 12 Hz-22 kHz (+0, -1 dB)   |                           |
| Relación señal/ruido<br>(con ponderación A, ancho de banda de ruido 20 Hz-20 kHz) | > 104 dB (respecto a potencia nominal),<br>> 84 dB (respecto a 1 W)              |                           |
| Factor de amortiguación   | > 150/50 Hz a 4 Ω, > 75/50 Hz a 2 Ω  |                           |
| Sección de entrada  |  |                           |
| Número de entradas  | 6 (tres pares estéreo)   |                           |
| Tipo de entrada   | Diferencial-balanceada con entradas de conector RCA                              |                           |
| Rango de voltaje de entrada   | 200 mV-4 V RMS   |                           |
| Procesamiento de señal  |  |                           |
| Tipo de filtro  | CH. 1&2  | CH. 3&4                   |
|   | Activo, 12 dB/octava, paso alto o paso bajo (50-500 Hz), anulable                |                           |
| Control de nivel remoto   | HD-RLC o MHD-RLC (opcional). Rango entre silencio total y 0 dB.                  |                           |
| Dimensiones   |  |                           |
| long. × anch. × alt.  | 10,23 in × 7,09 in × 2,05 in (260 mm × 180 mm × 52 mm)                           |                           |

Dado que el desarrollo de producto es continuo, todas las especificaciones están sujetas a cambios sin previo aviso.

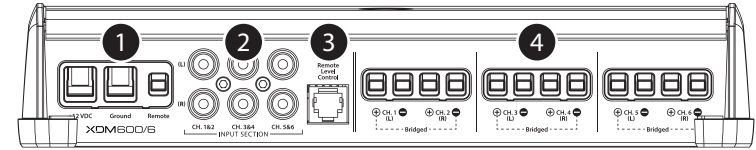
## HINWEISE ZUR INSTALLATION

- Die Installation erfordert geeignete Werkzeuge und Sicherheitsausrüstung. Die Installation durch eine Fachkraft wird empfohlen.
- Dieses Produkt ist wasserfest. Nicht eintauchen oder einem Hochdruck-Wasserstrahl aussetzen.
- Schalten Sie vor der Installation das Audiosystem aus und trennen Sie das Batteriesystem vom Audiosystem.
- Installieren Sie das Gerät, falls möglich, an einem trockenen, gut belüfteten Ort, der Ihre werkseitig installierten Systeme nicht beeinträchtigt. Ist die Montage in einem Trockenbereich nicht möglich, kann auch ein Ort ohne das Auftreten von starkem Spritzwasser gewählt werden.
- Installieren Sie es nicht in einem Motorraum, an Orten mit extremer Hitze oder an Orten, an denen es direkt den Elementen ausgesetzt ist.
- Kontrollieren Sie vor dem Schneiden oder Bohren, ob sich hinter den Montageflächen mögliche Hindernisse befinden.
- Die gesamte Systemverkabelung muss in ausreichendem Abstand an beweglichen Teilen und scharfen Kanten vorbeigeführt werden. Sichern Sie Kabel mit Kabelbindern oder Kabelklemmen und verwenden Sie ggf. Tüllen und Kabelband, um Schutz vor scharfen Kanten zu bieten.

## SICHERHEITSHINWEISE

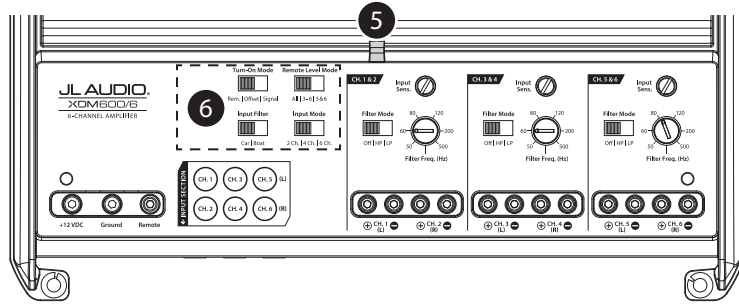
- Verwenden Sie dieses Produkt nur mit 12-Volt-Bordnetz und negativer Masse. Dieses Produkt ist für die Verwendung in Flugzeugen nicht zugelassen.
- Achten Sie auf eine sichere Befestigung dieses Produkts, um Beschädigungen oder Verletzungen unter anspruchsvollen Bedingungen zu vermeiden.
- Eine geeignete Sicherung (oder ein Schutzschalter) am Hauptstromkabel ist für die Sicherheit des Fahrzeugs/Schiffs unerlässlich und muss innerhalb von 45 cm (18 Zoll) vom positiven Batterieanschluss installiert werden.
- Für ABYC- und NMEA-Anwendungen muss der Stromkreis innerhalb von 18 cm (7 Zoll) um die Batterie herum geschützt werden, es sei denn, das Kabel befindet sich in einem Gehäuse oder Kabelkanal.
- Betreiben Sie Ihr Audiosystem mit einer Lautstärke, die den Umgebungsbedingungen und der Sicherheit Ihres Gehörs entspricht.

## ANSCHLÜSSE



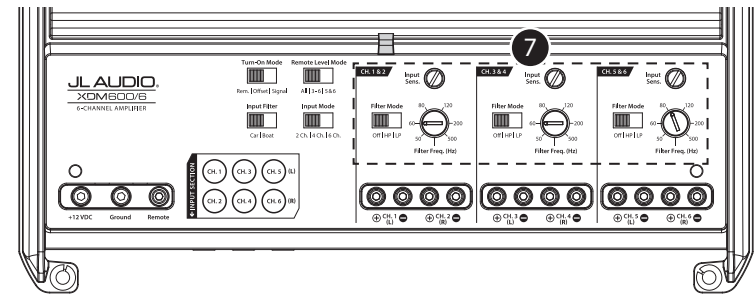
|   | Anschluss                     | Beschreibung   | Notizen   |                        |   |                        |
|---|-------------------------------|--|---|------------------------|---|------------------------|
| 1 | + 12 V DC                     | Positiver (+12V) Stromanschluss                                      | • 4 AWG-Kabel (erforderlich)<br>• Installieren Sie eine 50A-Sicherung am (+) Batteriepol  |                        |   |                        |
|   | Masse                         | Negativer (GND) Masseanschluss                                       | • 4 AWG-Kabel (erforderlich)  |                        |   |                        |
|   | Remote                        | Positiver (+12V) Aktivierungsanschluss                               | • 18 – 12 AWG Kabelkapazität<br>• Siehe 6 Turn-On Mode für weitere Informationen  |                        |   |                        |
| 2 | CH. 1 Eingang                 | Linkes Eingangssignal, schwarzer Cinchstecker                        | • Akzeptiert 200 mV - 4 V Eingangsspannung<br>• Siehe 6 Input Mode für weitere Informationen  |                        |   |                        |
|   | CH. 2 Eingang                 | Rechtes Eingangssignal, roter Cinchstecker                           |   |                        |   |                        |
|   | CH. 3 Eingang                 | Linkes Eingangssignal, schwarzer Cinchstecker                        |   |                        |   |                        |
|   | CH. 4 Eingang                 | Rechtes Eingangssignal, roter Cinchstecker                           |   |                        |   |                        |
|   | CH. 5 Eingang                 | Linkes Eingangssignal, schwarzer Cinchstecker                        |   |                        |   |                        |
|   | CH. 6 Eingang                 | Rechtes Eingangssignal, roter Cinchstecker                           |   |                        |   |                        |
| 3 | Remote-Lautstärkeregelung     | Remote-Lautstärkeregelungsanschluss (optional) (HD-RLC oder MHD-RLC) | • Funktioniert ausschließlich als Pegeldämpfer: Vollständig gegen den Uhrzeigersinn = Pegel gedämpft Vollständig im Uhrzeigersinn = Pegel unbeeinflusst |                        |   |                        |
| 4 | CH. 1 (L) Lautsprecherausgang | +  | (+) Positiver Lautsprecherausgang   | CH. 1&2 Überbrückt (+) | • Minimale Impedanzlast: Stereo-Modus $\geq 2$ Ohm Überbrückter Modus $\geq 4$ Ohm<br>• 16 – 8 AWG Kabelkapazität |                        |
|   |                               | -  | (-) Negativer Lautsprecherausgang   |                        |   |                        |
|   | CH. 2 (R) Lautsprecherausgang | +  | (+) Positiver Lautsprecherausgang   |                        |   | CH. 1&2 Überbrückt (-) |
|   |                               | -  | (-) Negativer Lautsprecherausgang   |                        |   |                        |
|   | CH. 3 (L) Lautsprecherausgang | +  | (+) Positiver Lautsprecherausgang   |                        |   | CH. 3&4 Überbrückt (+) |
|   |                               | -  | (-) Negativer Lautsprecherausgang   |                        |   |                        |
|   | CH. 4 (R) Lautsprecherausgang | +  | (+) Positiver Lautsprecherausgang   |                        |   | CH. 3&4 Überbrückt (-) |
|   |                               | -  | (-) Negativer Lautsprecherausgang   |                        |   |                        |
|   | CH. 5 (L) Lautsprecherausgang | +  | (+) Positiver Lautsprecherausgang   |                        |   | CH. 5&6 Überbrückt (+) |
|   |                               | -  | (-) Negativer Lautsprecherausgang   |                        |   |                        |
|   | CH. 6 (R) Lautsprecherausgang | +  | (+) Positiver Lautsprecherausgang   |                        |   | CH. 5&6 Überbrückt (-) |
|   |                               | -  | (-) Negativer Lautsprecherausgang   |                        |   |                        |

STEUERUNG



|  | Bedienelement (Funktion)  | Einstellung   | Beschreibung  |
|--|---|---|---|
| 5  | <b>Status LED (Statusanzeige)</b><br>(zeigt den Betriebs-Status an)   | Blinkt grün   | Verstärker wird aktiviert, Ton ist abgeschaltet   |
|  |   | Grün  | Normaler eingeschalteter Betrieb, aktive Tonausgabe   |
|  |   | Rot   | Eingeschaltet im Sicherheitsmodus, Überhitzungszustand, reduzierte Tonausgabe<br>• Kehrt zum normalen Betrieb zurück, wenn die Temperatur wieder ein sicheres Niveau erreicht hat   |
|  |   | Amber (gelb)  | Eingeschaltet im Sicherheitsmodus, Überstromzustand, Tonausgabe stummgeschaltet<br>• Kann ein sich wiederholendes, hörbares tickendes oder pochendes Geräusch in der Ausgabe aufweisen<br>• Prüfen Sie auf einen Kurzschluss im Lautsprecher/Kabel oder eine niedrige Impedanz  |
|  |   | LEDs aus  | Verstärker schaltet sich (unerwartet) aus, Unterspannungszustand<br>• Tritt auf, wenn die Spannung der Batterie oder der Remote-Einschaltung unter 10V fällt<br>• Kehrt zum normalen Betrieb zurück, wenn die Spannung über 11 V steigt   |
| 6  | <b>Turn On Mode (Einschaltmodus)</b><br>(konfiguriert Aktivierungsmethode)  | Remote  | +12 V Remote-Einschaltleitung (empfohlen)<br>• Gesteuert durch einen geschalteten +12V-Stromkreis oder den Einschaltausgang Ihres Steuergeräts/OEM-Interface  |
|  |   | Offset  | DC Offset-Sensing (automatisch)<br>• Schaltet sich ein, wenn das Vorhandensein eines kleinen Gleichstromsignals an den OEM-Audioausgängen erkannt wird, und schaltet sich aus, nachdem das Signal entfernt wurde<br>• Nur für Hochpegelsignale (Lautsprecher) ausgelegt<br>• Erkennt ausschließlich das Eingangssignal von CH. 1 (L)<br>• Bei der Verwendung von DC-Offset- oder Signalerkennungsmethoden wird der "Remote"-Anschluss zu einem +12V-Einschaltausgang. |
|  |   | Signal  | Signal-Sensing (automatisch)<br>• Schaltet sich durch die Erkennung von Full-Range-OEM-Audiosignalen ein und schaltet sich aus, nachdem das Signal entfernt wurde (innerhalb von 30 Sekunden)   |
|  | <b>Input Filter (Eingangsfiler)</b><br>(konfiguriert Eingangs-filteranwendung)  | Car (Auto)  | Für die meisten Installationen auswählen (Automobil oder Marine)  |
|  |   | Boat (Boot)   | Wählen Sie diese Option, wenn Sie Störungen durch mechanische Schalter/Geräte mit hohem Stromverbrauch bemerken   |
|  |   | <b>Input Mode (Eingangsmodus)</b><br>(konfiguriert Eingangs-Signalanschlüsse) | 2 Ch.<br>Auswählen wenn nur CH. 1&2-Eingänge verwendet werden<br>• CH. 3, 5 & 7 werden mit CH. 1-Signal betrieben<br>• CH. 4, 6 & 8 werden mit CH. 2-Signal betrieben   |
|  | 4 Ch.<br>Auswählen wenn nur CH. 1&2 und CH. 3&4-Eingänge verwendet werden<br>• CH. 5 arbeitet mit der Summe der CH. 1&3-Signale<br>• CH. 6 arbeitet mit der Summe der CH. 2&4-Signale |   |   |
|  | 6 Ch.<br>Bei Verwendung aller sechs Eingänge auswählen  |   |   |
| <b>Remote Level Mode</b><br>(konfiguriert HD-RLC-Betrieb - optional) | All   | Passt den Pegel für alle Kanäle gleich an                                     |   |
|  | 3 - 6   | Passt nur den Pegel der Kanäle 3, 4, 5 & 6 an                                 |   |
|  | 5 & 6   | Passt nur den Pegel der Kanäle 5 & 6 an                                       |   |

STEUERUNG



|   | Bedienelement (Funktion)  | Einstellung | Beschreibung  |           |  |
|---|---|-------------|---|-----------|--|
| 7 | <b>Input Sens. (Eingangsempf.)</b><br>(passt die Eingangsphase jedes Kanalpaars an) | Variable    | Verwenden Sie diese Funktion, um die Ausgangsspannung des Steuergeräts an die Eingänge der beiden Verstärkerkanäle anzupassen. Siehe Anhang A für detaillierte Informationen. |           |  |
|   |   | CH. 1&2     | <b>Filter Mode (Filtermodus)</b><br>(konfiguriert den Filter von CH. 1&2)   | Off (Aus) | Filter abgestellt; lässt den gesamten Frequenzbereich der Eingänge durch                                 |
|   |   |             |   | HP        | Betont die Frequenzen unterhalb der CH. 1&2 "Filter Freq. (Hz)"-Auswahl, mit einer Rate von 12dB/Oktave  |
|   |   |             |   | LP        | Betont die Frequenzen oberhalb der CH. 1&2 "Filter Freq. (Hz)"-Auswahl, mit einer Rate von 12dB/Oktave   |
|   |   |             | <b>Filter Freq. (Hz)</b><br>(passt die Grenzfrequenz an)  | Variable  | Zum Einstellen der Grenzfrequenz des aktiven Filters von Kanal 1&2, von 50 Hz - 500 Hz / 12dB pro Oktave |
|   |   | CH. 3&4     | <b>Filter Mode (Filtermodus)</b><br>(konfiguriert den Filter von CH. 3&4)   | Off (Aus) | Filter abgestellt; lässt den gesamten Frequenzbereich der Eingänge durch                                 |
|   |   |             |   | HP        | Betont die Frequenzen unterhalb der CH. 3&4 "Filter Freq. (Hz)"-Auswahl, mit einer Rate von 12dB/Oktave  |
|   |   |             |   | LP        | Betont die Frequenzen oberhalb der CH. 3&4 "Filter Freq. (Hz)"-Auswahl, mit einer Rate von 12dB/Oktave   |
|   |   |             | <b>Filter Freq. (Hz)</b><br>(passt die Grenzfrequenz an)  | Variable  | Zum Einstellen der Grenzfrequenz des aktiven Filters von Kanal 3&4, von 50 Hz - 500 Hz / 12dB pro Oktave |
|   |   | CH. 5&6     | <b>Filter Mode (Filtermodus)</b><br>(konfiguriert den Filter von CH. 5&6)   | Off (Aus) | Filter abgestellt; lässt den gesamten Frequenzbereich der Eingänge durch                                 |
|   |   |             |   | HP        | Betont die Frequenzen unterhalb der CH. 5&6 "Filter Freq. (Hz)"-Auswahl, mit einer Rate von 12dB/Oktave  |
|   |   |             |   | LP        | Betont die Frequenzen oberhalb der CH. 5&6 "Filter Freq. (Hz)"-Auswahl, mit einer Rate von 12dB/Oktave   |
|   | <b>Filter Freq. (Hz)</b><br>(passt die Grenzfrequenz an)                            | Variable    | Zum Einstellen der Grenzfrequenz des aktiven Filters von Kanal 5&6, von 50 Hz - 500 Hz / 12dB pro Oktave  |           |  |

## ANHANG A:

### Einstellung der Eingangsempfindlichkeit

Führen Sie die folgenden Schritte aus, um die Eingangsempfindlichkeit jedes Verstärkerkanalpaars einzustellen, um ein ausgewogenes Gesamtsystem zu erreichen.

| Benötigte Ausrüstung   |  |
|--|--|
| <ul style="list-style-type: none"> <li>• Digitales Wechselstrom-Voltmeter</li> <li>• Sinusförmiger Testton, der mit einem Referenzpegel von 0 dBfs in dem zu verstärkenden Frequenzbereich aufgezeichnet wurde. Bitte verwenden Sie keine abgedämpften Testtöne (-10 dB, -20 dB etc.).</li> <li><b>Vollbereichskanal/Verstärkeranwendungen:</b> 1 kHz</li> <li><b>Subwooferkanal/Verstärkeranwendungen:</b> 50 Hz</li> <li>• Je nach Art Ihres Steuergeräts kann die Sinuswelle über eine CD, einen USB-Stick, einen tragbaren Media-Player oder eine Bluetooth®-Audioquelle abgespielt werden. Stellen Sie sicher, dass Sie während der PegelEinstellung alle EQ/DSP-Modi Ihres tragbaren Mediaplayers deaktivieren.</li> </ul> |  |
| Der Vorgang in neun Schritten  |  |
| 1.   | Klemmen Sie die Verbindung zwischen dem/den Lautsprecher/n und den LautsprecherAusgangsverbindungen des Verstärkers ab.  |
| 2.   | Schalten Sie alle klangverarbeitenden Funktionen (Bass/Treble, Loudness, EQ etc.) des Steuergeräts und des Verstärkers sowie etwaiger Signal-Prozessoren ab. Bringen Sie den Fader-Regler in die Null-Stellung und stellen Sie die Subwooferpegel auf 3/4 der Maximal-Stellung ein, falls dieser verwendet wird. |
| 3.   | Schalten Sie alle drei "Input Sens."-Regler ganz runter.   |
| 4.   | Stellen Sie die Lautstärke des Steuergeräts auf 3/4 der vollen Lautstärke. Dies ermöglicht eine angemessene Verstärkung mit moderatem Clipping bei voller Lautstärke.  |
| 5.   | Bestimmen Sie anhand der untenstehenden Tabelle die Zielspannung für die Eingangsempfindlichkeitseinstellung entsprechend der Nennimpedanz des Lautsprechersystems, das an die VerstärkerAusgänge angeschlossen ist.   |
| 6.   | Stellen Sie sicher, dass Sie die Lautsprecher abgeklemmt haben, bevor Sie fortfahren. Spielen Sie einen Titel mit einer geeigneten Sinuskurve (innerhalb des Frequenzbereichs, der verstärkt wird) bei 3/4 der Steuergerätlautstärke.  |
| 7.   | Schließen Sie das AC-Voltmeter an die LautsprecherAusgänge des Verstärkers an. Wird das Kanalpaar in Stereo betrieben, brauchen Sie nur an einem Kanal Messungen vorzunehmen. Vergewissern Sie sich bei Vorhandensein einer Überbrückung, dass Sie die Spannung an den richtigen Anschlüssen (L+ und R-) messen. |
| 8.   | Drehen Sie den "Input Sens."-Regler auf, bis die Zielspannung mit dem Voltmeter gemessen wird.   |
| 9.   | Nachdem Sie alle Kanalteile auf einen möglichst verzerrungsfreien Ausgangspegel eingestellt haben, schließen Sie den/die Lautsprecher wieder an. Die "Input Sens."-Regler können nun heruntergestellt werden, wenn der Verstärker eine Dämpfung benötigt, um die gewünschte Balance des Systems zu erreichen.    |
| WICHTIG!   |  |
| <ul style="list-style-type: none"> <li>• Erhöhen Sie für einen Verstärkerkanal oder ein Kanalpaar im System die "Input Sens."-Einstellungen nicht über den maximalen während dieses Vorgangs festgelegten Pegel. Andernfalls treten hörbare Verzerrungen auf und die Lautsprecher könnten beschädigt werden.</li> <li>• Es wird notwendig sein, die "Input Sens." neu einzustellen, wenn nach der Einstellung der "Input Sens." mit Hilfe dieses Verfahrens eine Equalizerverstärkung aktiviert wird. Dies gilt für alle EQ-Verstärkerschaltungen, einschließlich der Klangregler oder EQ-Schaltungen am Steuergerät. EQ-Dämpfungen erfordern keine Nachjustierung.</li> </ul>   |  |

| Nenn-Impedanz | Ziel AC Spannung |                      |
|---------------|------------------|----------------------|
|               | Stereo           | Bridged (Überbrückt) |
| 8 Ω           | 17,3 V           | 34,6 V               |
| 4 Ω           | 17,3 V           | 28,2 V               |
| 2 Ω           | 14,1 V           | nicht empfohlen      |

## TECHNISCHE DATEN

| Verstärkerteil   |  |                            |
|--|--|----------------------------|
| Verstärker-Topologie   | NexD™ Ultra-High Speed Klasse D  |                            |
| Stromversorgungstyp  | Ungeregeltes MOSFET-Schaltnetzteil   |                            |
| Minimum Kupfer Strom-/GND-Kabel                                  | 4 AWG<br>(Hinweis: CCA/Kupferbeschichteter Aluminiumdraht wird nicht empfohlen.) |                            |
| Empfohlene Sicherung   | 50 A   |                            |
| Nennleistung RMS bei 14,4 V<br><1% THD+N                         | 75W x 6 an 4 Ω   | 100W x 6 an 2 Ω            |
|  | 150W x 3 an 8 Ω Überbrückt   | 200W x 3 an 4 Ω Überbrückt |
| Nennleistung RMS bei 12,5 V<br><1% THD+N                         | 60W x 6 an 4 Ω   | 90W x 6 an 2 Ω             |
|  | 120W x 3 an 8 Ω Überbrückt   | 180W x 3 an 4 Ω Überbrückt |
| Frequenzgang   | 12 Hz - 22 kHz (+0, -1 dB)   |                            |
| S/N-Verhältnis<br>(A-bewertet, 20 Hz–20 kHz<br>Rauschbandbreite) | >104 dB (bei Nennleistung),<br>>84 dB (bei 1 W)                                  |                            |
| Dämpfungsfaktor  | >150 / 50 Hz an 4 Ω, >75 / 50 Hz an 2 Ω  |                            |
| Eingangsteil   |  |                            |
| Anz. der Eingänge  | 6 (Drei Stereopaare)   |                            |
| Eingangstyp  | Differential-symmetrisch mit Cinch-Buchsen                                       |                            |
| Eingangsspannungsbereich   | 200 mV – 4V RMS  |                            |
| Signalverarbeitung   |  |                            |
| Filtertyp  | CH. 1&2  | CH. 3&4                    |
|  | Aktiv, 12dB/Oktave, Hochpass oder Tiefpass<br>(50 - 500 Hz), abschaltbar         |                            |
| Remote-Lautstärkereglern   | HD-RLC oder MHD-RLC (optional). Stummschaltung bis 0 dB Bereich.                 |                            |
| Abmessungen  |  |                            |
| L x B x H  | 10,23 x 7,09 x 2,05 Zoll (260 mm x 180 mm x 52 mm)                               |                            |

Durch die Weiterentwicklung der Produkte können alle technischen Daten ohne Ankündigung geändert werden.

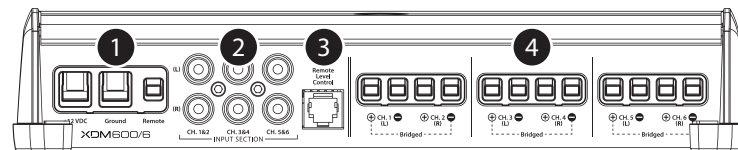
## CONSIDERAZIONI SULL'INSTALLAZIONE

- Per l'installazione si richiedono strumenti e attrezzature di sicurezza idonei. Si consiglia di far eseguire l'installazione da un professionista.
- Questo prodotto è resistente all'acqua. Non immergere o esporre a getti di acqua ad alta pressione.
- Prima dell'installazione, spegnere l'impianto audio e scollegare l'impianto della batteria dall'impianto audio.
- Se possibile, installare in una sede al riparo dall'umidità, ben ventilata, che non interferisca con i propri impianti installati di fabbrica. Qualora non sia disponibile un ambiente al riparo dall'umidità, è consentito servirsi di una sede che non sia esposta a schizzi eccessivi.
- Non installare nel vano motore, in aree di calore estremo oppure in cui sarà esposto direttamente alle intemperie.
- Prima di eseguire tagli o perforazioni, verificare la presenza di potenziali ostacoli dietro le superfici di montaggio.
- Con cautela, istradare l'intero cablaggio dell'impianto lontano da parti mobili e bordi affilati; assicurare con fascette oppure serracavi e servirsi di occhielli e intelaiature, laddove appropriato, per proteggere dai bordi affilati.

## CONSIDERAZIONI SULLA SICUREZZA

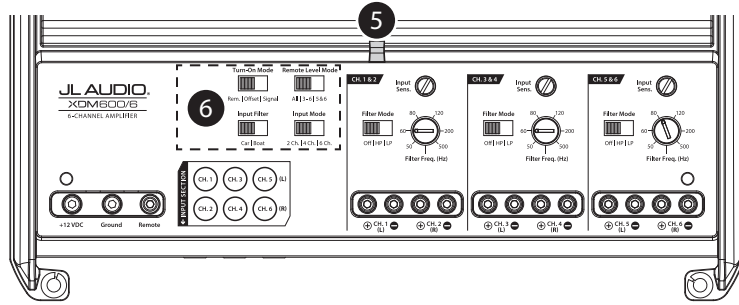
- Utilizzare questo prodotto soltanto con impianti elettrici da 12 Volt con sistema di messa a terra negativa. Il presente prodotto non è omologato o approvato per l'utilizzo all'interno di un aeromobile.
- Installare il presente prodotto in posizione salda, al fine di evitare danni o lesioni in condizioni avverse.
- Un fusibile adeguato (o interruttore di circuito) in corrispondenza del filo di alimentazione principale è essenziale per la sicurezza del veicolo/dell'imbarcazione e deve essere installato a 18 pollici (45 cm) dal collegamento positivo della batteria.
- Per le applicazioni ABYC e NMEA, è necessaria una protezione del circuito a 7 pollici (18 cm) dalla batteria, a meno che il cavo non sia in un involucro o una guida.
- Ascoltare l'impianto audio a livelli appropriati per le condizioni di utilizzo e la protezione dell'udito.

## COLLEGAMENTI



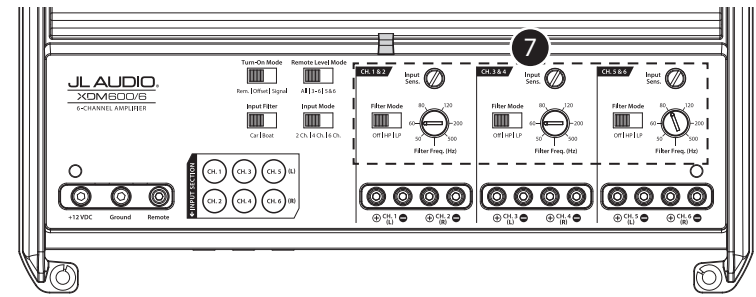
|   | Collegamento                   | Descrizione  | Note   |                         |  |
|---|--------------------------------|--|--|-------------------------|--|
| 1 | +12 V CC                       | Collegamento dell'alimentazione positivo (+12 V)                             | • Filo da 4 AWG (richiesto)<br>• Installare un fusibile da 50 A in corrispondenza del terminale della batteria (+)   |                         |  |
|   | Massa                          | Collegamento a massa negativa (GND)  | • Filo da 4 AWG (richiesto)  |                         |  |
|   | Remoto                         | Collegamento di attivazione positiva (+12 V)                                 | • Capacità del filo 18 – 12 AWG<br>• Vedere 6 Modalità di accensione per maggiori informazioni   |                         |  |
| 2 | CH. 1 ingresso                 | Segnale d'ingresso a sinistra, RCA nero                                      | • Accetta tensione d'ingresso di 200 mV – 4 V<br>• Vedere 6 Modalità di ingresso per maggiori informazioni   |                         |  |
|   | CH. 2 ingresso                 | Segnale d'ingresso a destra, RCA rosso                                       |  |                         |  |
|   | CH. 3 ingresso                 | Segnale d'ingresso a sinistra, RCA nero                                      |  |                         |  |
|   | CH. 4 ingresso                 | Segnale d'ingresso a destra, RCA rosso                                       |  |                         |  |
|   | CH. 5 ingresso                 | Segnale d'ingresso a sinistra, RCA nero                                      |  |                         |  |
|   | CH. 6 ingresso                 | Segnale d'ingresso a destra, RCA rosso                                       |  |                         |  |
| 3 | Controllo remoto del livello   | Collegamento del controllo remoto del livello (opzionale) (HD-RLC o MHD-RLC) | • Agisce esclusivamente da attenuatore:<br>Completamente in senso antiorario = Livello tacitato<br>Completamente in senso orario = Livello non interessato |                         |  |
| 4 | CH. 1 (SX) Uscita altoparlante | ⊕  | Uscita positiva altoparlante (+)   | CH. 1 & 2 in bridge (+) | • Carico d'impedenza minimo: Modalità stereo ≥2 Ohm<br>Modalità in bridge ≥4 Ohm<br>• Capacità del filo 16 – 8 AWG |
|   |                                | ⊖  | Uscita negativa altoparlante (-)   |                         |  |
|   | CH. 2 (DX) Uscita altoparlante | ⊕  | Uscita positiva altoparlante (+)   | CH. 1 & 2 in bridge (-) |  |
|   |                                | ⊖  | Uscita negativa altoparlante (-)   |                         |  |
|   | CH. 3 (SX) Uscita altoparlante | ⊕  | Uscita positiva altoparlante (+)   | CH. 3&4 in bridge (+)   |  |
|   |                                | ⊖  | Uscita negativa altoparlante (-)   |                         |  |
|   | CH. 4 (DX) Uscita altoparlante | ⊕  | Uscita positiva altoparlante (+)   | CH. 3&4 in bridge (-)   |  |
|   |                                | ⊖  | Uscita negativa altoparlante (-)   |                         |  |
|   | CH. 5 (SX) Uscita altoparlante | ⊕  | Uscita positiva altoparlante (+)   | CH. 5&6 in bridge (-)   |  |
|   |                                | ⊖  | Uscita negativa altoparlante (-)   |                         |  |
|   | CH. 6 (DX) Uscita altoparlante | ⊕  | Uscita positiva altoparlante (+)   | CH. 5&6 in bridge (-)   |  |
|   |                                | ⊖  | Uscita negativa altoparlante (-)   |                         |  |

COMANDI



| Comando (Funzione)  | Impostazione       | Descrizione  |
|---|--------------------|--|
| <b>5</b><br>LED di stato<br>(indica lo stato operativo)                                   | Verde lampeggiante | L'amplificatore si accende, uscita audio tacitata  |
|   | Verde              | Acceso, funzionamento normale, uscita audio attiva   |
|   | Rosso              | Acceso, modalità sicura, condizione di sovratemperatura, uscita audio ridotta<br>• Ritorna al funzionamento normale quando la temperatura torna a un livello sicuro  |
|   | Ambra (giallo)     | Acceso, modalità sicura, condizione di sovracorrente, uscita audio tacitata<br>• Potrebbe mostrare un ticchettio udibile e ripetuto oppure un rumore sordo in uscita<br>• Ispezionare l'altoparlante/il filo per individuare un cortocircuito oppure un'impedenza bassa  |
|   | LED spenti         | L'amplificatore si spegne (inavvertitamente), condizione di bassa tensione<br>• Si verifica quando la batteria o la tensione di accensione remota scende al di sotto di 10 V<br>• Ritorna al normale funzionamento quando la tensione aumenta oltre 11 V   |
| <b>6</b><br>Modalità di accensione<br>(configura il metodo di attivazione)                | Remoto             | Accensione remota +12 V (preferito)<br>• Controllato da un circuito di +12 V con interruttore oppure uscita di accensione della propria unità sorgente/interfaccia OEM   |
|   | Offset             | Rilevamento offset CC (automatico)<br>• Si attiva rilevando la presenza di un piccolo segnale CC nelle uscite audio OEM e si disattiva in seguito alla rimozione del segnale<br>• Studiato per i segnali (altoparlante) di alto livello soltanto<br>• Rileva il segnale d'ingresso dal CH. 1 (SX) soltanto<br>• L'impiego dei metodi di offset CC o di rilevamento del segnale fa diventare il terminale "Remoto" un'uscita di attivazione da +12 V. |
|   | Segnale            | Rilevamento del segnale (automatico)<br>• Si attiva rilevando segnali audio OEM full-range e si disattiva in seguito alla rimozione del segnale (entro 30 secondi)   |
| <b>6</b><br>Filtro d'ingresso<br>(configura l'applicazione del filtro d'ingresso)         | Automobile         | Selezione per la maggior parte delle installazioni (automobilistiche o marine)   |
|   | Imbarcazione       | Selezionare se s'individuano delle interferenze da interruttori/dispositivi meccanici ad alta corrente   |
| <b>6</b><br>Modalità d'ingresso<br>(configura l'applicazione del collegamento di segnale) | 2 CH.              | Selezionare quando si usano gli ingressi CH. 1&2 soltanto<br>• CH. 3, 5 e 7 si attiveranno soltanto con il segnale CH. 1<br>• CH. 4, 6 e 8 si attiveranno soltanto con il segnale CH. 2  |
|   | 4 CH.              | Selezionare quando si usano gli ingressi CH. 1&2 e CH. 3 & 4<br>• CH. 5 si attiverà con la somma dei segnali CH. 1&3<br>• CH. 6 si attiverà con la somma dei segnali CH. 2&4   |
|   | 6 CH.              | Selezionare quando si usano tutti i sei ingressi   |
| <b>6</b><br>Controllo remoto del livello<br>(configura il funzionamento HD-RLC opzionale) | Tutti              | Regola il livello di tutti i canali in egual misura<br>• È possibile controllare diversi amplificatori da un unico HD-RLC impiegando uno splitter per linea telefonica non duplex e cavi telefonici multipli.  |
|   | 3 - 6              | Regola il livello dei canali 3, 4, 5 & 6 soltanto  |
|   | 5 & 6              | Regola il livello dei canali 5 & 6 soltanto  |

COMANDI



| Comando (Funzione)   | Impostazione | Descrizione   |
|--|--------------|---|
| <b>7</b><br>Rilevamento ingresso<br>(regola lo stadio d'ingresso di ciascuna coppia di canali) | Variabile    | Usare per la corrispondenza tra la tensione di uscita dell'unità sorgente con gli ingressi di ciascuna coppia di canali amplificatore. Vedere l'Appendice A per informazioni dettagliate. |
| <b>7</b><br>CH. 1&2<br>Modalità filtro<br>(configura il filtro del CH. 1&2)                    | Disattivato  | Filtro disattivato, fa passare la gamma completa di frequenze presenti in corrispondenza degli ingressi   |
|  | HP           | Attenua le frequenze sotto la manopola CH. 1&2 "Filter Freq. (Hz)"; a una velocità di 12 dB/ottava  |
|  | PB           | Attenua le frequenze sopra la manopola CH. 1&2 "Filter Freq. (Hz)"; a una velocità di 12 dB/ottava  |
| <b>7</b><br>Freq. filtro (Hz)<br>(regola la frequenza di cutoff del filtro)                    | Variabile    | Usare per regolare la frequenza di cutoff del filtro attivo del canale 1&2, da 50 Hz - 500 Hz / 12 dB per ottava  |
| <b>7</b><br>CH. 3&4<br>Modalità filtro<br>(configura il filtro del CH. 3&4)                    | Disattivato  | Filtro disattivato, fa passare la gamma completa di frequenze presenti in corrispondenza degli ingressi   |
|  | HP           | Attenua le frequenze sotto la manopola CH. 3&4 "Filter Freq. (Hz)"; a una velocità di 12 dB/ottava  |
|  | PB           | Attenua le frequenze sopra la manopola CH. 3&4 "Filter Freq. (Hz)"; a una velocità di 12 dB/ottava  |
| <b>7</b><br>Freq. filtro (Hz)<br>(regola la frequenza di cutoff del filtro)                    | Variabile    | Usare per regolare la frequenza di cutoff del filtro attivo del canale 3&4, da 50 Hz - 500 Hz / 12 dB per ottava  |
| <b>7</b><br>CH. 5&6<br>Modalità filtro<br>(configura il filtro del CH. 5&6)                    | Disattivato  | Filtro disattivato, fa passare la gamma completa di frequenze presenti in corrispondenza degli ingressi   |
|  | HP           | Attenua le frequenze sotto la manopola CH. 5&6 "Filter Freq. (Hz)"; a una velocità di 12 dB/ottava  |
|  | PB           | Attenua le frequenze sopra la manopola CH. 5&6 "Filter Freq. (Hz)"; a una velocità di 12 dB/ottava  |
| <b>7</b><br>Freq. filtro (Hz)<br>(regola la frequenza di cutoff del filtro)                    | Variabile    | Usare per regolare la frequenza di cutoff del filtro attivo del canale 5&6, da 50 Hz - 500 Hz / 12 dB per ottava  |



## APPENDICE A:

### Impostazione del livello di sensibilità d'ingresso

Attendersi ai passaggi che seguono per regolare la sensibilità d'ingresso di ciascuna coppia di canali amplificatori per raggiungere il bilanciamento complessivo del sistema.

| Apparecchiature necessarie   |  |
|--|--|
| <ul style="list-style-type: none"> <li>Voltmetro CA digitale</li> <li>Tono di prova dell'onda sinusoidale registrato al livello di riferimento 0 dBfs nella gamma di frequenza da amplificare. Non usare toni di prova attenuati (-10 dB, -20 dB, ecc.).</li> <li>Applicazioni amplificatore/canale full-range: 1 kHz</li> <li>Applicazioni amplificatore/canale subwoofer: 50 Hz</li> </ul>   |  |
| <ul style="list-style-type: none"> <li>In funzione del tipo di unità sorgente, l'onda sinusoidale può essere riprodotta tramite un CD, una penna USB, un lettore multimediale portatile o una sorgente audio Bluetooth®. Accertarsi di disattivare eventuali modalità EQ/DSP sul lettore multimediale portatile durante le impostazioni del livello.</li> </ul>  |  |
| La procedura di nove passaggi  |  |
| 1.   | Scollegare l'altoparlante dai connettori di uscita altoparlante dell'amplificatore.  |
| 2.   | Disattivare tutta l'elaborazione (bassi/alti, volume, EQ, ecc.) sull'unità sorgente, i processori (se usati) e l'amplificatore. Impostare il controllo del fader in posizione centrale e il controllo del livello subwoofer a 3/4 del massimo, se in uso.  |
| 3.   | Disattivare tutti i comandi "Input Sens."  |
| 4.   | Impostare il volume dell'unità sorgente su 3/4 del volume totale. In questo modo, sarà possibile ottenere una sovrapposizione ragionevole del guadagno con una riduzione moderata a volume completo.   |
| 5.   | Impiegando il grafico sottostante, determinare la tensione target per la regolazione della sensibilità d'ingresso all'impedenza nominale dell'impianto altoparlante collegato alle uscite amplificatore.   |
| 6.   | Verificare di aver scollegato gli altoparlanti prima di procedere. Riprodurre un brano con un'onda sinusoidale appropriata (nella gamma di frequenza da amplificare) a 3/4 del volume dell'unità sorgente.   |
| 7.   | Collegare il voltmetro CA ai terminali di uscita altoparlante dell'amplificatore. Se la coppia di canali è operativa in modalità stereo, sarà necessario misurare soltanto un canale. Se in bridge, accertarsi di provare la tensione in corrispondenza dei terminali corretti (L+ e R-).                      |
| 8.   | Aumentare il comando "Input Sens." fino a quando non si osserva la tensione target con il voltmetro.   |
| 9.   | Una volta regolata ciascuna sezione del canale al livello massimo di uscita a distorsione ridotta, collegare nuovamente l'altoparlante. I comandi "Input Sens." ora possono essere regolati verso il basso se l'amplificatore richiede l'attenuazione per raggiungere il bilanciamento desiderato del sistema. |
| IMPORTANTE!  |  |
| <ul style="list-style-type: none"> <li>Non incrementare eventuali impostazioni "Input Sens." per qualsiasi canale amplificatore o coppia di canali nel sistema oltre il livello massimo stabilito nel corso di questa procedura. In caso contrario, si otterranno una distorsione udibile e possibili danni all'altoparlante.</li> <li>Sarà necessario regolare nuovamente il comando "Input Sens." se il boost equalizzatore è attivato dopo aver impostato "Input Sens." con la presente procedura. Questo si applica a qualsiasi circuito boost EQ, inclusi i comandi del tono dell'unità sorgente o i circuiti EQ. Le riduzioni EQ non richiederanno una nuova regolazione.</li> </ul> |  |

| Impedenza nominale | Tensione CA target |                 |
|--------------------|--------------------|-----------------|
|                    | Stereo             | In bridge       |
| 8 Ω                | 17,3 V             | 34,6 V          |
| 4 Ω                | 17,3 V             | 28,2 V          |
| 2 Ω                | 14,1 V             | Non consigliato |

## SPECIFICHE

| Sezione amplificatore   |   |                           |         |
|---|---|---------------------------|---------|
| Topologia amplificatore   | NexD™ a velocità ultra elevata di classe D                                    |                           |         |
| Tipo di alimentatore  | MOSFET switching non regolato   |                           |         |
| Rame minimo<br>Cavo di alimentazione/massa                                  | 4 AWG<br>(Nota: Il filo di alluminio rivestito di rame (CCA) è sconsigliato.) |                           |         |
| Valore consigliato del fusibile   | 50 A  |                           |         |
| Potenza RMS nominale @ 14,4 V,<br><1% THD+N                                 | 75 W x 6 @ 4 Ω  | 100 W x 6 @ 2 Ω           |         |
|   | 150 W x 3 @ 8 Ω in bridge   | 200 W x 3 @ 4 Ω in bridge |         |
| Potenza RMS nominale @ 12,5 V<br><1% THD+N                                  | 60 W x 6 @ 4 Ω  | 90 W x 6 @ 2 Ω            |         |
|   | 120 W x 3 @ 8 Ω in bridge   | 180 W x 3 @ 4 Ω in bridge |         |
| Risposta della frequenza  | 12 Hz – 22 kHz (+0, -1 dB)  |                           |         |
| Rapporto S/N<br>(Con peso A, larghezza di banda<br>del rumore 20 Hz–20 kHz) | >104 dB (riferito alla potenza nominale),<br>>84 dB (riferito a 1 W)          |                           |         |
| Fattore di attenuazione   | >150 / 50 Hz @ 4 Ω, >75 / 50 Hz @ 2 Ω   |                           |         |
| Sezione ingressi  |   |                           |         |
| Numero di ingressi  | 6 (tre coppie stereo)   |                           |         |
| Tipo d'ingresso   | Differenziale-Bilanciato con ingressi jack RCA                                |                           |         |
| Gamma di tensione d'ingresso  | 200 mV – 4 V RMS  |                           |         |
| Elaborazione del segnale  |   |                           |         |
| Tipo di filtro  | CH. 1&2   | CH. 3&4                   | CH. 5&6 |
|   | Attivo, 12 dB/ottava, passa-alto o passa-basso (50 – 500 Hz), disattivabile   |                           |         |
| Controllo remoto del livello  | HD-RLC o MHD-RLC (opzionale). Completamente tacitato alla gamma 0 dB.         |                           |         |
| Dimensioni  |   |                           |         |
| L x P x A   | 10,23 in. x 7,09 in. x 2,05 in. (260 mm x 180 mm x 52 mm)                     |                           |         |

A causa dello sviluppo continuo del prodotto, tutte le specifiche potrebbero essere soggette a modifica senza preavviso.

---

---

---

---

---

---

---

---

---

---

---

---

---

---

---

---

---

---

---

---

---

---

---

---

---

---

---

---

---

---

---

---

---

---

---

---

---

---

---

---

---

---

---

---

---

---

