



# Stealthbox®

INSTALLATION GUIDE  
for the

**SB-T-TCMAX/10TW3**

**SKU# 94616**

**2014-Up Toyota Tundra CrewMax**

**Enclosure Type:** Sealed

**Driver Type:** 10TW3-D8

**Nominal Impedance:** 2 ohms

**Continuous Power Handling:** 800 watts (RMS method)

## ! IMPORTANT

If you choose to perform the installation yourself, it is absolutely vital that the Stealthbox® be properly mounted to the vehicle according to these instructions. Failure to mount the enclosure properly presents two problems:

- 1) The sub-bass performance will suffer due to the movement of the enclosure caused by the force exerted by the woofer(s).
- 2) A loose enclosure presents a serious safety hazard in the event of a collision or sudden deceleration.

INSTALLATION  
DIFFICULTY:

**2** OUT OF **5**

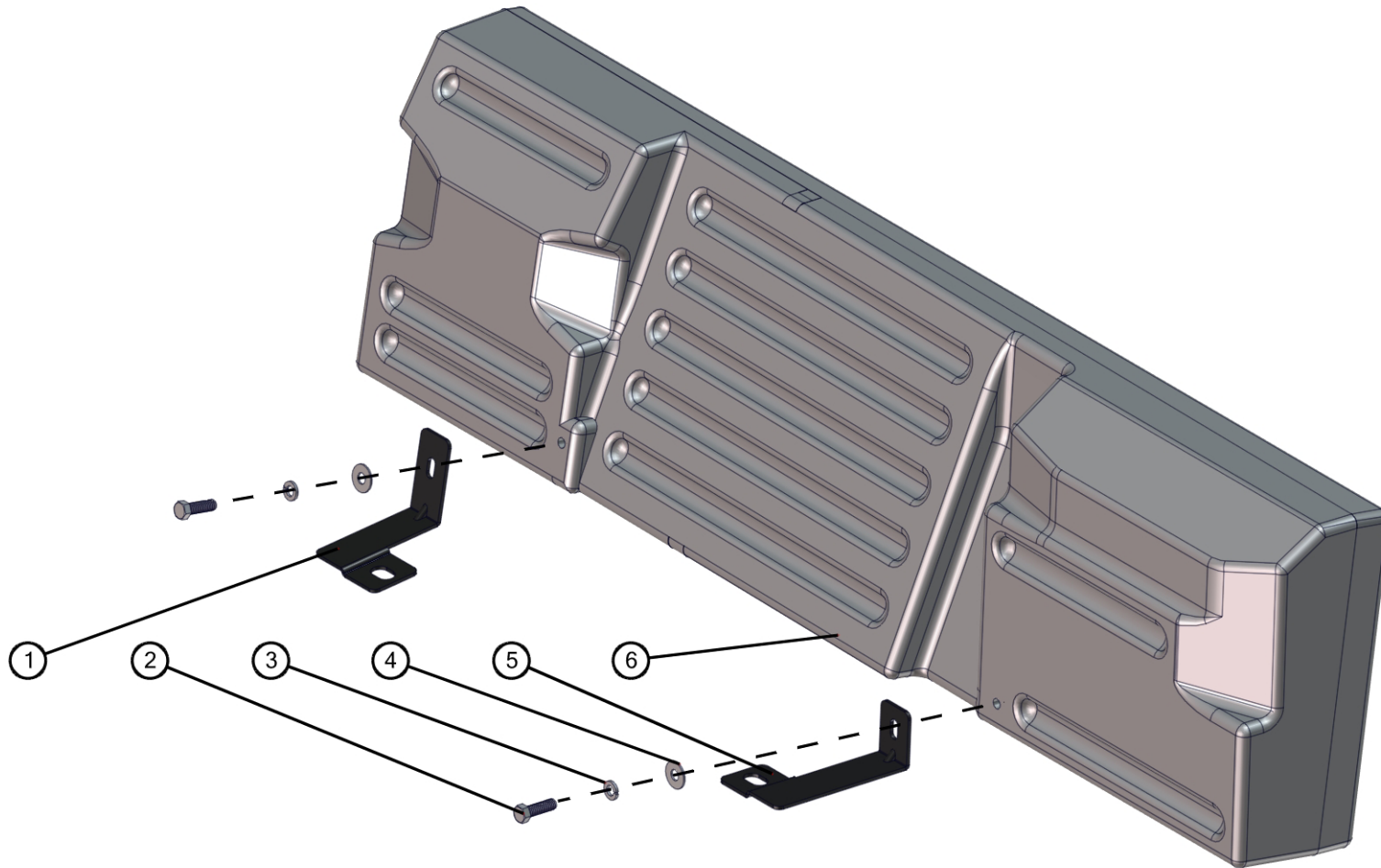
ESTIMATED TIME:  
1 HOUR



*Thank you for choosing a JL Audio Stealthbox® for your automotive sound system. With proper installation, your new vehicle-specific enclosed subwoofer system will deliver years of listening pleasure.*

*We strongly recommend that you have your new Stealthbox® installed by your authorized JL Audio dealer. The installation professionals employed by your dealer have the necessary tools and experience to disassemble and reassemble your vehicle properly. If you prefer to perform your own installation, please read this installation guide completely before beginning the process.*

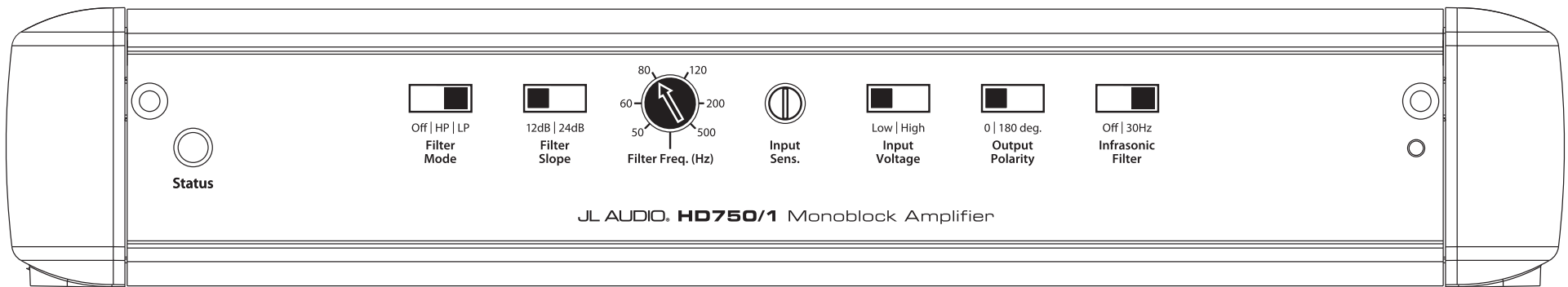
**INCLUDED HARDWARE**



BOM ID	Qty	SKU	Description
1	1	153639	Tundra CMax Passenger Bracket
2	2	151079	3/8-16 x 1-1/4" Hex Bolt
3	2	151081	3/8" Lock Washer
4	2	151095	3/8" Flat Washer
5	1	153638	Tundra CMax Drivers Bracket
6	1	64616	Toyota Tundra Crew Max SB

## POWER RECOMMENDATION

JL Audio recommends high quality amplifiers such as the JL Audio HD750/1. The diagram below shows the recommended crossover settings for the HD750/1. For a detailed description of the amplifier settings, consult the owner's manual for the amplifier. If another amplifier is being used, please reference this illustration and use similar settings on that amplifier.

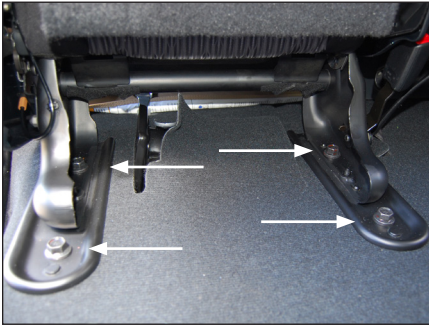


## CONNECTIONS

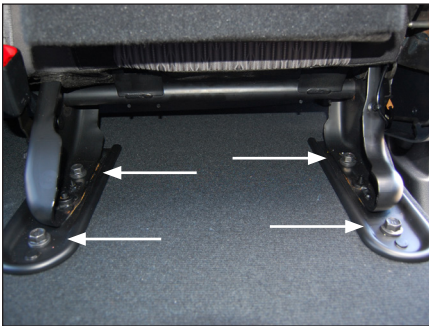
Using quality power, signal, and speaker wire is essential in ensuring the performance of your Stealthbox®. JL Audio recommends using a 4 AWG power kit such as the XD-PCS4-1B for your Stealthbox® amplifier. Other kits are available should you be using more than one amplifier. Signal wire such as the JL Audio Premium Audio Interconnect Cables should be used to provide signal for both channels of the amplifier. JL Audio recommends using 12AWG speaker wire for subwoofers such as our XC-BCS12-25.



**STEP 1**  
Empty the rear seat area of the vehicle, and fold the rear seats up.



**STEP 2**  
Remove the four indicated 17mm factory seat bolts on the passenger side.



**STEP 3**  
Remove the four indicated 17mm factory seat bolts on the driver's side. Note that the inner, rear bolt has a different thread than the others.



**STEP 4**  
Carefully remove the rear seats from the vehicle.



**STEP 5**  
Remove the jack tools and the retainer clip.



**STEP 6**  
Place the Stealthbox® into the vehicle against the back wall of the cab. Be sure the notch on the bottom of the enclosure lines up over the bracket that held the jack tools.

Attach speaker cable to the terminal cup on the passenger side of the enclosure, and route the cable as necessary.



**STEP 7**  
Carefully place the rear seats back into the vehicle. Hand tighten the outer 17 mm factory bolts to ensure the seats are properly aligned.

Secure the Drivers Bracket to the threaded insert on the Stealthbox® using a 3/8 - 16 x 1-1/4" Hex Bolt, 3/8" Lock Washer, and 3/8" Flat Washer, and hand tighten.



**STEP 8**  
Secure the Passenger Bracket to the threaded insert on the Stealthbox® using a 3/8 - 16 x 1-1/4" Hex Bolt, 3/8" Lock Washer, and 3/8" Flat Washer, and hand tighten.

Align the holes in both brackets with the inner, rear holes in the seat brackets. Reinstall the inner 17mm factory bolts, then fully tighten all eight factory bolts and the two 3/8 - 16 x 1-1/4" Hex Bolts.

## CONGRATULATIONS!

You have completed the installation for this model! Enjoy your new Stealthbox®!



### MID/HIGH FREQUENCY DRIVER FITMENT

A variety of JL Audio coaxial and component systems will fit in the factory speaker locations of your vehicle.

Front Speaker Size / Location: 6x9"- Front Doors  
Fits JL Audio Models: TR690-CXi, C2-690tx

Rear Speaker Size / Location: 6-1/2"- Rear Door  
Fits JL Audio Models: TR650-CXi, TR650-CSi, C2-650x, C2-650,  
C3-650, C5-650x, C5-650, & ZR650-CSi



JL AUDIO® | How we play.™    

(954) 443-1100

[www.jlaudio.com](http://www.jlaudio.com)

All specifications are subject to change without notice. "JL Audio"™ and the JL Audio logo, and "Stealthbox" and the Stealthbox logo are registered trademarks of JL Audio, Inc. "Ahead of the Curve", its respective logo, and "How we play" are trademarks of JL Audio, Inc.  
Printed in USA • ©2017 JL Audio, Inc. • For more detailed information please visit us online at [www.jlaudio.com](http://www.jlaudio.com).

JLA-SKU# 011431 • ver. 02.28.2017 • 10369 NORTH COMMERCE PARKWAY • MIRAMAR, FLORIDA • 33025 • USA