

Stealthbox®

INSTALLATION GUIDE
for the
SB-T-TACDC/10W1v3
SKU# 94312
2005 - 2011 Toyota Tacoma Double Cab



Thank you for choosing a JL Audio Stealthbox® for your automotive sound system. With proper installation, your new vehicle-specific enclosed subwoofer system will deliver years of listening pleasure.

We strongly recommend that you have your new Stealthbox® installed by your authorized JL Audio dealer. The installation professionals employed by your dealer have the necessary tools and experience to disassemble and reassemble your vehicle properly. Also, keep in mind that your warranty coverage extends to 2 years if your system is installed or approved by your authorized JL Audio dealer. If you prefer to perform your own installation, please read this installation guide completely before beginning the process.

JL AUDIO®
Ahead of the Curve™

! IMPORTANT

If you choose to perform the installation yourself, it is absolutely vital that the Stealthbox® be properly mounted to the vehicle according to these instructions. Failure to mount the enclosure properly presents two problems:

- 1) The sub-bass performance will suffer due to the movement of the enclosure caused by the force exerted by the woofer(s).
- 2) A loose enclosure presents a serious safety hazard in the event of a collision or sudden deceleration.

INSTALLATION DIFFICULTY:

3 OUT OF 5

ESTIMATED TIME:
2-3 HOURS

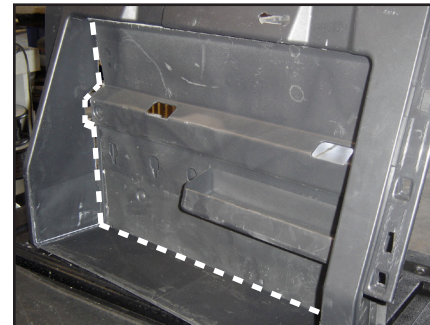


STEP 1

Remove all contents from the rear seating area.

Lower the second row seats.

Remove the two-piece plastic storage bins from the rear wall.



STEP 2

The rear wall of the passenger's side storage bin needs to be cut out. Follow **STEPS 2 - 4** carefully. The cut lines are indicated by the white dash lines. Use a cutting wheel for the best results.

This cut line follows the corner line crease of the storage bin.

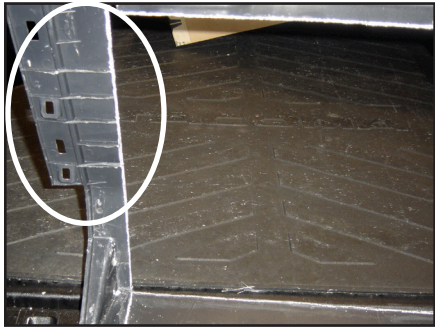


STEP 3

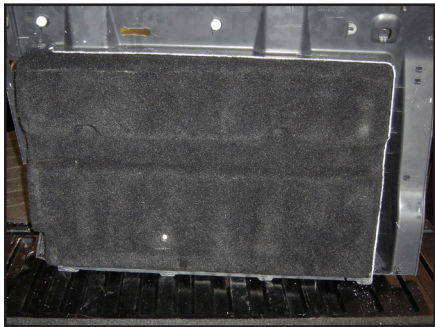
This cut line also follows the corner line crease.



STEP 4
The top cut line runs straight across. The line does not follow the corner crease, as like the other cut lines. This top line is 1/2-inch in front of the corner crease.



STEP 5
Remove the ribs that are located on the back side of the storage bin.



STEP 6
The Stealthbox® is to be inserted from the back side of the modified panel. If necessary, trim the panel to allow the Stealthbox® to fit.



STEP 7
The supplied wax square is to be placed onto the rear wall, just to the right of the second mount as in the picture.



STEP 8
Thread the supplied socket cup screw into the rear of the Stealthbox®, leaving 1/4-inch of the threads exposed.

Place the Stealthbox® with the modified plastic panel into the mounting location and press firmly onto the Stealthbox®.

Remove the Stealthbox® with the plastic panel carefully, leaving the wax square in place. The socket cup set screw will leave an impression onto the wax square.



STEP 9
Note: Before drilling, make sure that you are not going to be drilling into any gas lines, brake lines, transmission lines, electrical wiring, transfer case (4x4 vehicles) or anything else that might cause a reduction in your weekly pay. Always wear eye protection when drilling!

With a drill and a 1/2-inch drill bit, drill through the impression made in the wax square.

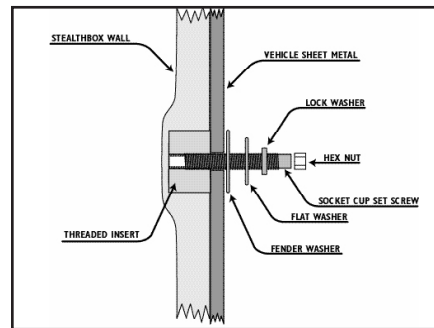
Remove the wax square.



STEP 10
Back out the socket cup set screw that was installed in STEP 8, to expose 1 1/4-inch of the threads.

Place the Stealthbox® with the plastic panel back into the mount area. Guide the socket cup set screw through the drilled hole.

Run speaker wire from the amplifier's location to the Stealthbox® location and check for proper operation of the woofer.



STEP 11
From under the vehicle, place the supplied fender washers, flat washers, lock washers and then hex nut onto the protruding socket cup set screw and secure. Adjust the amount of exposed thread on each cup set screw if necessary.

Note: For added protection, it is recommended that you apply a bead of silicone between the vehicle and the fender washer. After the bolt assembly is tightly secured, it is also recommended that vehicle undercoating material is applied to the exposed assembly.



STEP 12

Secure the driver's side plastic panel back onto the rear wall.



CONGRATULATIONS

You have completed the installation for this model!

Please refer to the Power Recommendation section for an amplifier recommendation and basic set-up help.

INCLUDED HARDWARE

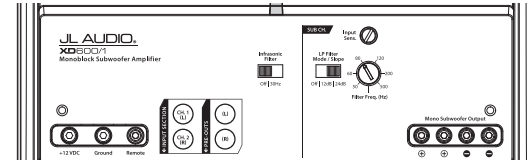
- (1) 3/8-inch Split Lock Washer
- (1) 3/8-inch Flat Washer
- (1) 3/8-inch x 2-inch Fender Washer
- (1) 3-inch x 3-inch Wax Square
- (1) 3/8-inch -16 x 2-1/4-inch Socket Cup Set Screw
- (1) 3/8-inch -16 Hex Nut

SPECIFICATIONS

Enclosure Type: Acoustic Suspension (sealed)
Driver Type: (2) 10W1v3-4
Nominal Impedance: 2 ohms
Continuous Power Handling: 600 Watts

POWER RECOMMENDATION

JL Audio recommends using a high quality amplifier such as the JL Audio XD600/1v2. The diagram below shows the recommended crossover, infrasonic filter and equalizer settings for the XD600/1v2 when being used to power your Stealthbox®.



The JL Audio XD600/1v2 is a very versatile audio component. Please consult the owner's manual for even more detailed information about installing and tuning this amplifier.

MID/HIGH FREQUENCY DRIVER FITMENT

A variety of JL Audio coaxial and component systems will fit in the factory speaker locations of your vehicle.

Front Speaker Size / Location: 6-inch x 9-inch / Front Doors
Fits JL Audio Models: TR690-TXi & *C2690-TX

Rear Speaker Size / Location: 6.5-inch / Rear Doors
Fits JL Audio Models: TR650-CXi, TR650-CSi, C2650-X, C2650, *XR650-CXi, *C3650, *C5-650x, *C5-650 & *ZR650-CSi

*Mounting / spacer plate is required.



JL AUDIO®
Ahead of the Curve™

(954) 443-1100

www.jlaudio.com

All specifications are subject to change without notice. "JL Audio" and the JL Audio logo, "Stealthbox" and the Stealthbox logo are registered trademarks of JL Audio, Inc. "Ahead of the Curve" and its respective logo is a trademark of JL Audio, Inc.
JLA-SKU# 011238 - 09.20.2016 • Printed in USA • ©2016 JL Audio, Inc.
 For more detailed information please visit us online at www.jlaudio.com.

