

Stealthbox®

INSTALLATION GUIDE
for the

SB-T-TACDC12/10TW3

SKU# 94557

2012 & Up Toyota Tacoma Double Cab



Thank you for choosing a JL Audio Stealthbox® for your automotive sound system.

With proper installation, your new vehicle-specific enclosed subwoofer system will deliver years of listening pleasure.

We strongly recommend that you have your new Stealthbox® installed by your authorized JL Audio dealer. The installation professionals employed by your dealer have the necessary tools and experience to disassemble and reassemble your vehicle properly. If you prefer to perform your own installation, please read this installation guide completely before beginning the process.

JL AUDIO®
Ahead of the Curve™

! IMPORTANT

If you choose to perform the installation yourself, it is absolutely vital that the Stealthbox® be properly mounted to the vehicle according to these instructions. Failure to mount the enclosure properly presents two problems:

- 1) The sub-bass performance will suffer due to the movement of the enclosure caused by the force exerted by the woofer(s).
- 2) A loose enclosure presents a serious safety hazard in the event of a collision or sudden deceleration.

INSTALLATION DIFFICULTY:

2 OUT OF 5

ESTIMATED TIME:
2 HOURS

SPECIFICATIONS

Enclosure Type: Sealed

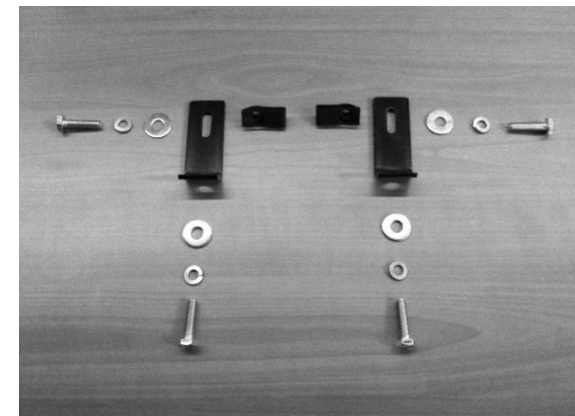
Driver Type: 10TW3-D4

Nominal Impedance: 2 ohms

Continuous Power Handling: 400 watts (RMS method)

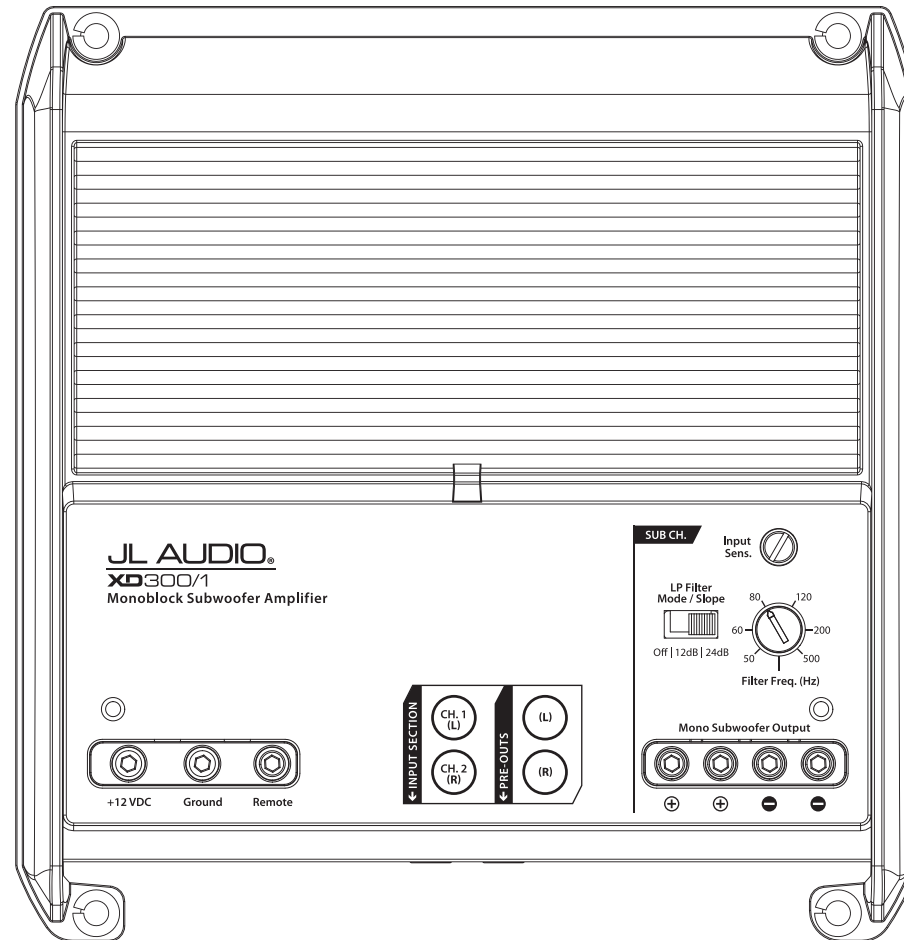
INCLUDED HARDWARE

- (2) Brackets
- (4) 1/4 - 20 x 1" Hex Bolt
- (4) 1/4" Lock Washer
- (4) 1/4" Flat Washer
- (2) 1/4 - 20 U-Nut



POWER RECOMMENDATION

JL Audio recommends high quality amplifiers such as the JL Audio XD300/1v2. The diagram below shows the recommended crossover settings for the XD300/1v2. For a detailed description of the amplifier settings, consult the owner's manual for the amplifier. If another amplifier is being used, please reference this illustration and use similar settings on that amplifier.



CONNECTIONS

Using quality power, signal, and speaker wire is essential in ensuring the performance of your Stealthbox®. JL Audio recommends using a 4 AWG power kit such as the XD-PCS4-1B for your Stealthbox® amplifier. Other kits are available should you be using more than one amplifier. Signal wire such as the JL Audio Premium Audio Interconnect Cables should be used to provide signal for both channels of the amplifier. JL Audio recommends using 12AWG speaker wire for subwoofers.



STEP 1

Empty out the back seat of the vehicle and fold the seats down.



STEP 2

Carefully unclip the seat bolt covers at the corners of the rear seat backs. Unbolt and remove the seat backs.



STEP 3

Empty out the storage pocket. Remove the clips that hold in the rear panel and remove the panel.



STEP 4

On the backside of the rear panel, locate the two recessed areas, then measure and mark 1" down the center from the edge as shown. Drill a 1/8" pilot hole on the mark.



STEP 5

Reinstall the panel. Drill through the pilot holes made in the previous step to create pilot holes in the metal. Use caution so as not to drill through the back of the cab. Remove the panel again.

Before drilling, always make sure that you are not going to be drilling into any gas lines, brake lines, tires, transmission lines, electrical wiring, exhaust systems or anything else that might cause a reduction in your weekly pay.

Always wear eye protection when drilling!



STEP 6

Measure and mark 1" to the right of each pilot hole. Enlarge the 1/8" pilot holes in both the metal and the plastic to 7/16". Use caution so as not to drill through the back of the cab.



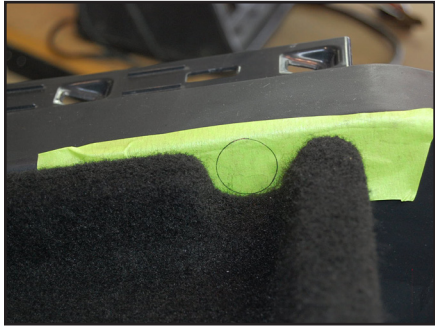
STEP 7

Drill 3/4" holes on the marks made in the previous step. Use caution so as not to drill through the back of the cab.



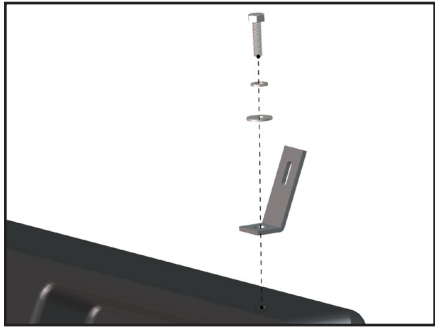
STEP 8

Slide a 1/4 - 20 U-Nut through each of the 3/4" holes and align them with the 7/16" holes as shown.

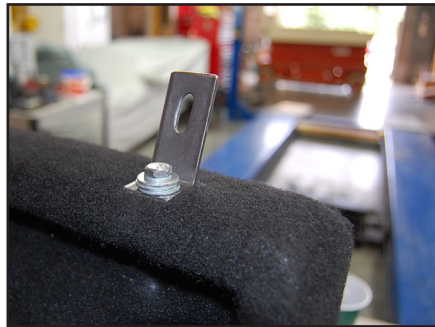
**STEP 9**

If an amplifier will be mounted into the recess in the front of the Stealthbox®, set the enclosure into position and mark the location of the wire channel. Remove the enclosure, and drill a 1" hole in the panel. Reinstall the panel into the vehicle.

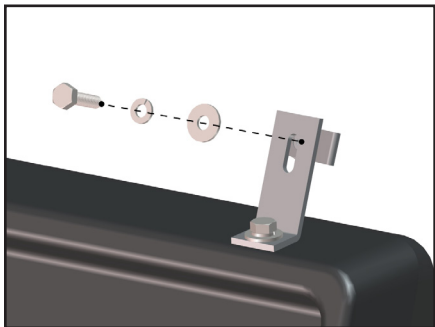
Note: This step is not necessary if the amplifier will be mounted elsewhere.

**STEP 10**

Attach each Bracket to the threaded inserts in the top of the enclosure using a 1/4 - 20 x 1" Hex Bolt, a 1/4" Lock Washer, and a 1/4" Flat Washer as illustrated.

**STEP 11**

Pictured is a Bracket attached to the Stealthbox®.

**STEP 12**

Attach speaker cable to the Stealthbox® and place the enclosure back into position. Secure the enclosure using a pair of 1/4 - 20 x 1" Hex Bolts, 1/4" Lock Washers, and 1/4" Flat Washers as illustrated.

CONGRATULATIONS!

You have completed the installation for this model. Enjoy your new Stealthbox®!

**MID/HIGH FREQUENCY DRIVER FITMENT**

A variety of JL Audio coaxial and component systems will fit in the factory speaker locations of your vehicle.

Front Speaker Size / Location: 6x9" - Front Doors
Fits JL Audio Models: TR690-TXi, C2-690tx

Rear Speaker Size / Location: 6-1/2" - Rear Door
Fits JL Audio Models: TR650-CXi, TR650-CSi, C2-650x, C2-650,
C3-650, C5-650x, C5-650 & ZR650-CSi



JL AUDIO®
Ahead of the Curve™

(954) 443-1100

www.jlaudio.com

All specifications are subject to change without notice. "JL Audio" and the JL Audio logo, "Stealthbox" and the Stealthbox logo are registered trademarks of JL Audio, Inc. "Ahead of the Curve" and its respective logo is a trademark of JL Audio, Inc.
JLA-SKU# 011350 09.20.2016 • Printed in USA • ©2016 JL Audio, Inc.
For more detailed information please visit us online at www.jlaudio.com.

