



Ahead of the Curve®



Stealthbox®

INSTALLATION GUIDE
for the

SB-GM-COEXT2G/10TW3

SKU# 94660

2015-Up Chevrolet Colorado & GMC Canyon Extended Cab

Enclosure Type: Sealed

Driver Type: 10TW3-D4

Nominal Impedance: 2 ohms

Continuous Power Handling: 400 watts (RMS method)

SB-GM-COEXT2G/10TW3 INSTR_SKU# 011505

! IMPORTANT

If you choose to perform the installation yourself, it is absolutely vital that the Stealthbox® be properly mounted to the vehicle according to these instructions. Failure to mount the enclosure properly presents two problems:

- 1) The sub-bass performance will suffer due to the movement of the enclosure caused by the force exerted by the woofer(s).
- 2) A loose enclosure presents a serious safety hazard in the event of a collision or sudden deceleration.

INSTALLATION
DIFFICULTY:

1 OUT OF 5

ESTIMATED TIME:
1 HOUR

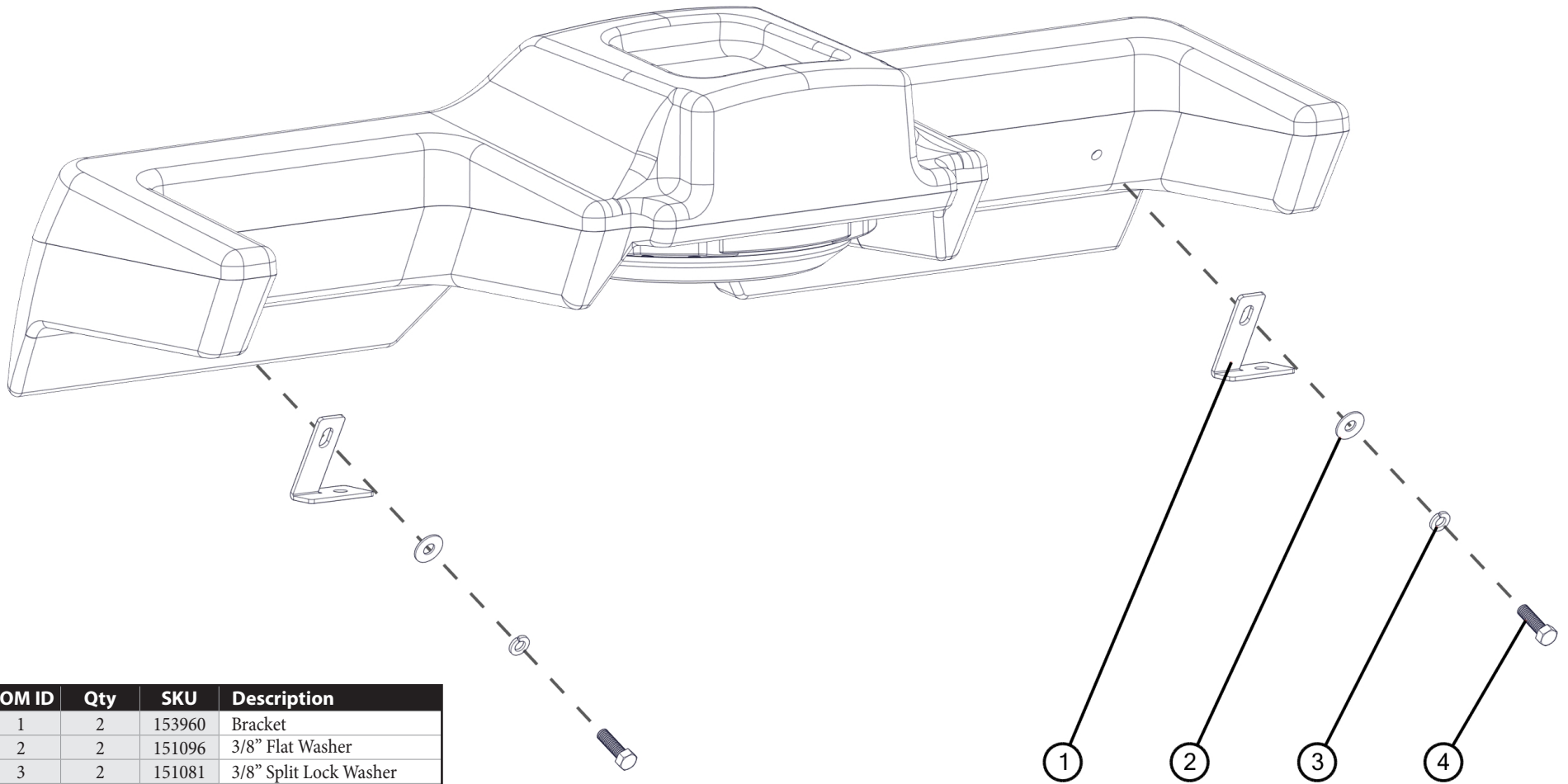


Thank you for choosing a JL Audio Stealthbox® for your automotive sound system. With proper installation, your new vehicle-specific enclosed subwoofer system will deliver years of listening pleasure.

We strongly recommend that you have your new Stealthbox® installed by your authorized JL Audio dealer. The installation professionals employed by your dealer have the necessary tools and experience to disassemble and reassemble your vehicle properly. If you prefer to perform your own installation, please read this installation guide completely before beginning the process.

Continued on Next Page

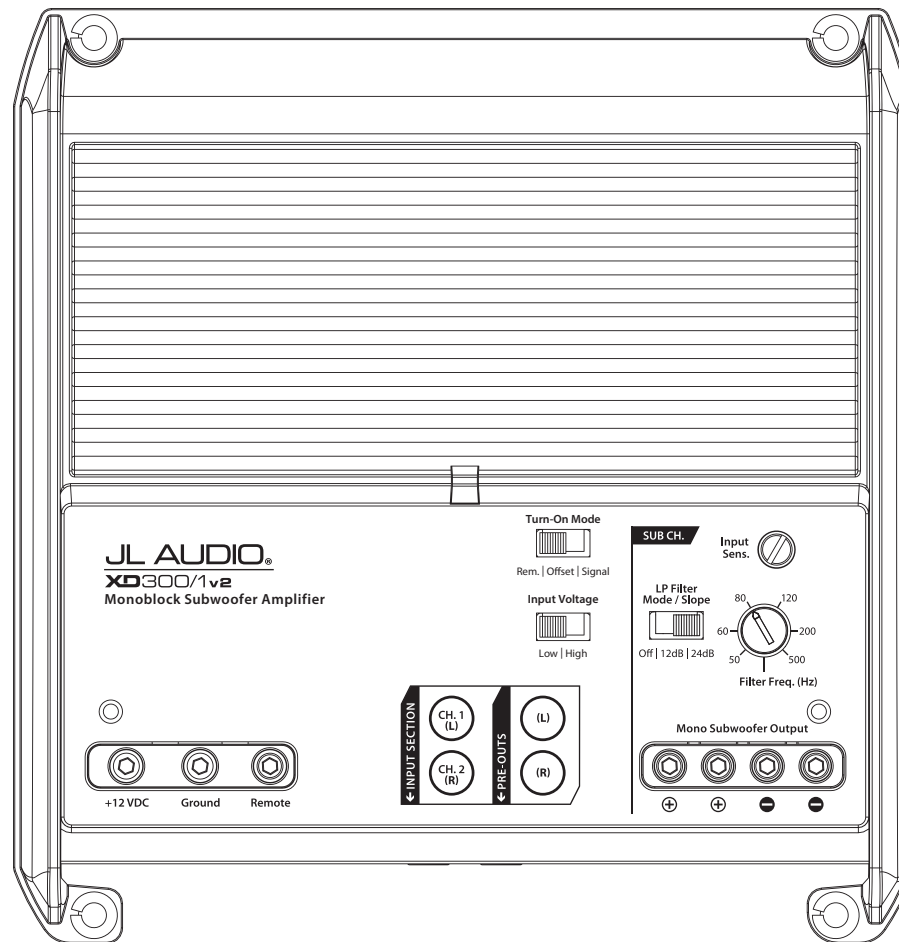
INCLUDED HARDWARE



BOM ID	Qty	SKU	Description
1	2	153960	Bracket
2	2	151096	3/8" Flat Washer
3	2	151081	3/8" Split Lock Washer
4	2	151079	3/8 - 16 x 1-1/4" Hex Bolt

POWER RECOMMENDATION

JL Audio recommends high quality amplifiers such as the JL Audio XD300/1v2. The diagram below shows the recommended crossover settings for the XD300/1v2. For a detailed description of the amplifier settings, consult the owner's manual for the amplifier. If another amplifier is being used, please reference this illustration and use similar settings on that amplifier.



CONNECTIONS

Using quality power, signal, and speaker wire is essential in ensuring the performance of your Stealthbox®. JL Audio recommends using a 4 AWG power kit such as the XD-PCS4-1B for your Stealthbox® amplifier. Other kits are available should you be using more than one amplifier. Signal wire such as the JL Audio Premium Audio Interconnect Cables should be used to provide signal for both channels of the amplifier. JL Audio recommends using 12 AWG speaker wire for subwoofers such as our XC-BCS12-25.



STEP 1

Empty the rear seat area.



STEP 2

Unclip and remove the access panel from the storage tray below the rear seat on the passenger side. It will not be reinstalled.



STEP 3

Remove the wing nut from the bracket securing the jack tools. Lift the bracket, and remove the tools. The wing nut will not be reinstalled.



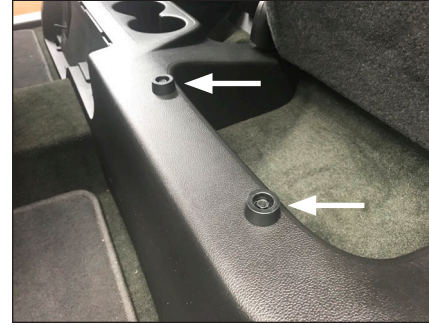
STEP 4

Remove the bracket from the storage tray. It will not be reinstalled.



STEP 5

Lift the seat bottoms.



STEP 6

Remove the two screws and bumpers from the top of the storage tray on each side of the vehicle. They will not be reinstalled.



STEP 7

Lift up on the storage tray from the front to unclip it from the storage tray bracket.



STEP 8

Remove the storage tray from the vehicle. It will not be reinstalled.



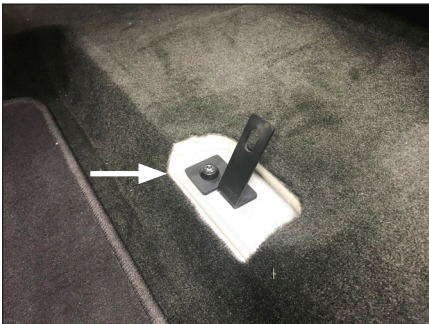
STEP 9

Remove the Torx bolt securing the storage tray bracket from both sides of the vehicle.



STEP 10

Remove the storage tray bracket from the vehicle. It will not be reinstalled.



STEP 11

Align the hole in a Bracket with the factory hole in the floor. Position the Bracket with the slotted tab angled toward the rear, as shown. Secure the Bracket to the vehicle with a factory Torx bolt removed in **Step 9**.

Repeat for the opposite side.

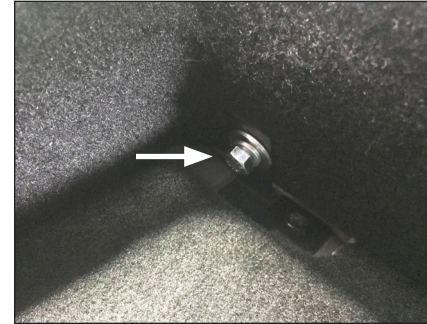


STEP 12

Connect speaker cable to the barrier strip on the bottom of the enclosure.

Place the Stealthbox into the vehicle in front of the two Brackets.

Route the cable as necessary.



STEP 13

Align the slots in the Brackets with the threaded inserts in the back of the enclosure. Slide a 3/8" Split Lock Washer and a 3/8" Flat Washer over a 3/8 - 16 x 1-1/4" Hex Bolt, and pass the assembly through the slot in the Bracket, into the threaded insert in the enclosure, and hand tighten.

Repeat for the opposite side, then fully tighten both 3/8 - 16 x 1-1/4" Hex Bolts.



STEP 14

Stow the jack tools under one of the seats behind the enclosure, and fold the seat bottoms back down.

CONGRATULATIONS!

You have completed the installation for this model! Enjoy your new Stealthbox®!



MID/HIGH FREQUENCY DRIVER FITMENT

A variety of JL Audio coaxial and component systems will fit in the factory speaker locations of your vehicle.

Location / OEM Speaker Size	Suggested JL Audio Speaker Models	
	Coaxial Models	Component Models
Front Doors / 6 x 9-inch	C1-690x ⁽¹⁾ , C1-690tx ⁽¹⁾ , C2-690tx ⁽¹⁾ , C2-650x ⁽¹⁾ , C5-650x ⁽¹⁾	C1-690 ⁽¹⁾ , C1-650 ⁽¹⁾ , C2-650 ⁽¹⁾ , C3-650 ⁽¹⁾ , C5-650 ⁽¹⁾ , C7-650cw ^(1,2)
Rear Doors / 6.5-inch	C1-650x, C2-650x, C5-650x	C1-650, C2-650, C3-650, C5-650, C7-650cw ⁽²⁾

1 - Installation may require adaptor, 2 - Component woofer only

JL AUDIO | How we play.®    

(954) 443-1100

www.jlaudio.com

All specifications are subject to change without notice. "JL Audio" and "How we play" are registered trademarks of JL Audio, Inc. "Ahead of the Curve" and its respective logo are trademarks of JL Audio, Inc.
Printed in USA • ©2018 JL Audio, Inc. • For more detailed information please visit us online at www.jlaudio.com.

