



Ahead of the Curve®



Stealthbox®

INSTALLATION GUIDE
for the

SB-GM-COCREW2G/10TW3

SKU# 94635

2015-Up Chevrolet Colorado & GMC Canyon Crew Cab

Enclosure Type: Sealed

Driver Type: 10TW3-D4

Nominal Impedance: 2 ohms

Continuous Power Handling: 400 watts (RMS method)

SB-GM-COCREW2G/10TW3 INSTR_SKU# 011474

! IMPORTANT

If you choose to perform the installation yourself, it is absolutely vital that the Stealthbox® be properly mounted to the vehicle according to these instructions. Failure to mount the enclosure properly presents two problems:

- 1) The sub-bass performance will suffer due to the movement of the enclosure caused by the force exerted by the woofer(s).
- 2) A loose enclosure presents a serious safety hazard in the event of a collision or sudden deceleration.

INSTALLATION
DIFFICULTY:

1 OUT OF 5

ESTIMATED TIME:
1 HOUR

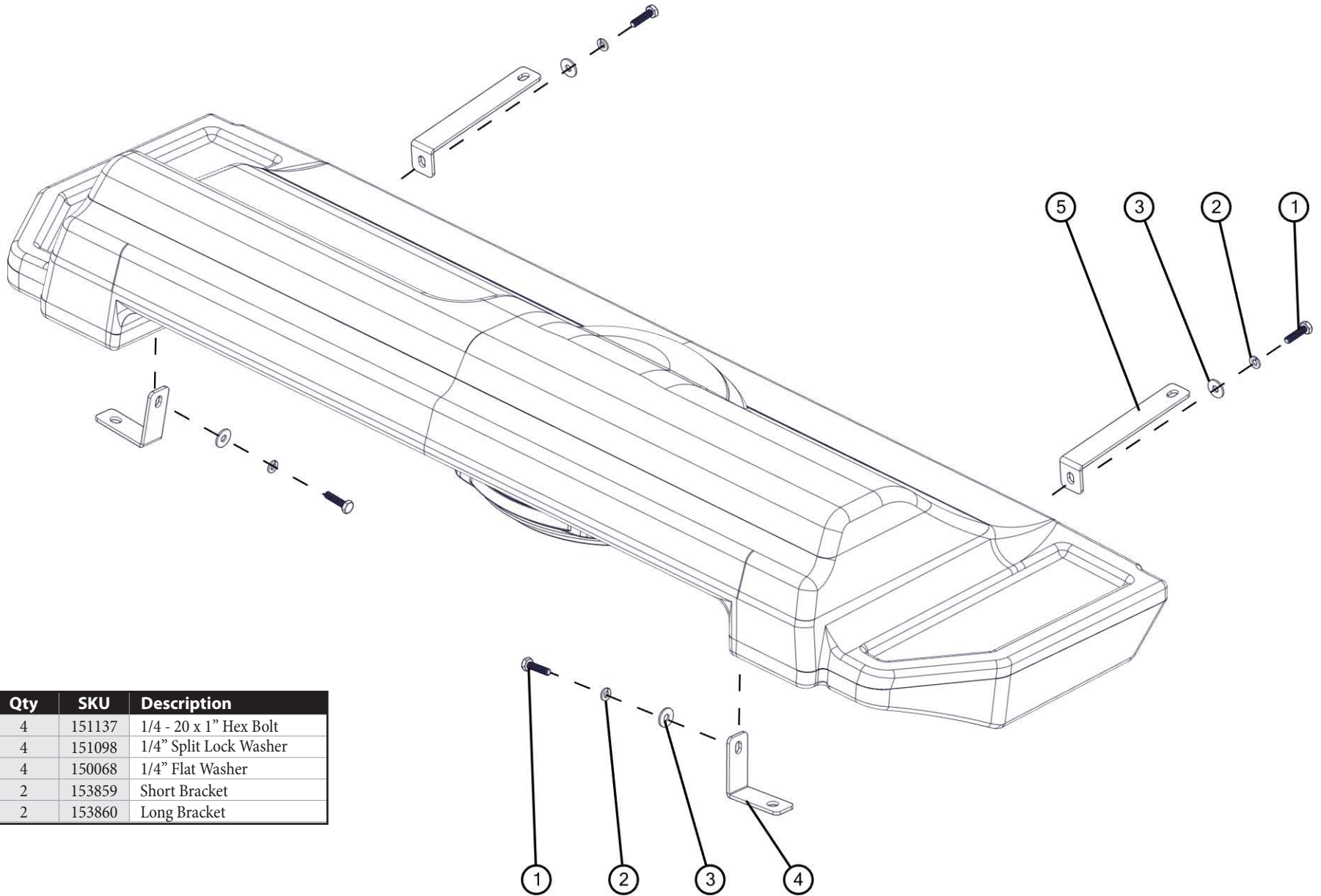


Thank you for choosing a JL Audio Stealthbox® for your automotive sound system. With proper installation, your new vehicle-specific enclosed subwoofer system will deliver years of listening pleasure.

We strongly recommend that you have your new Stealthbox® installed by your authorized JL Audio dealer. The installation professionals employed by your dealer have the necessary tools and experience to disassemble and reassemble your vehicle properly. If you prefer to perform your own installation, please read this installation guide completely before beginning the process.

Continued on Next Page

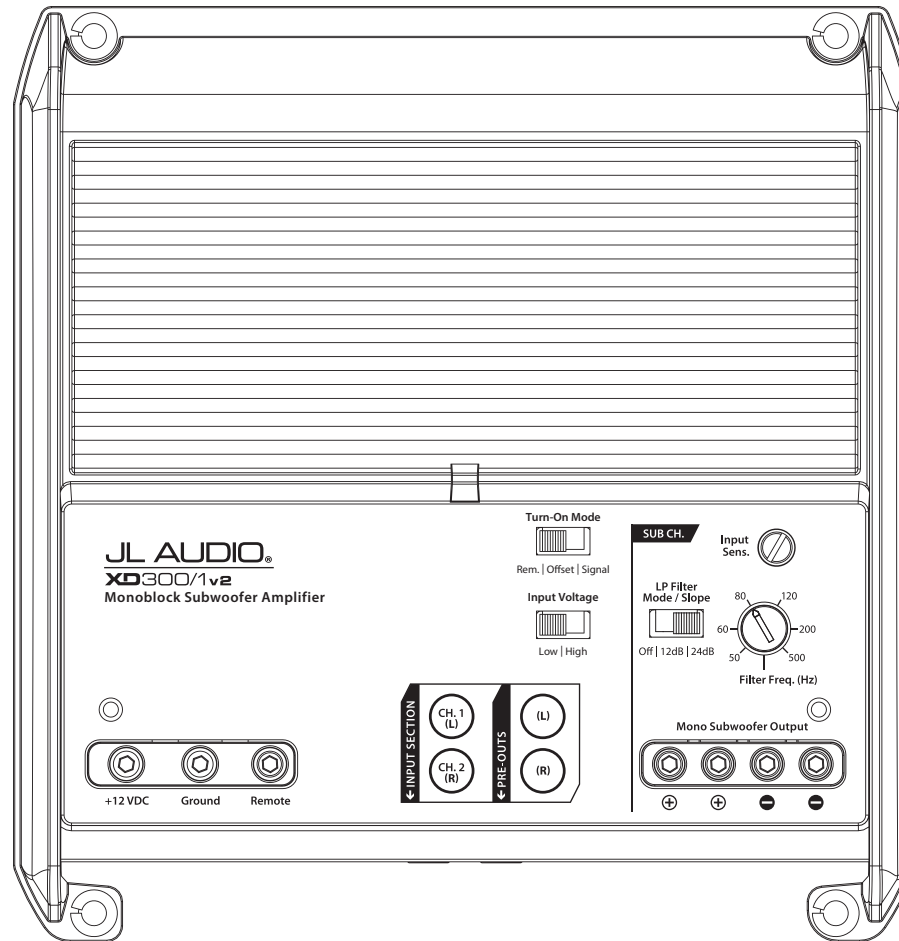
INCLUDED HARDWARE



BOM ID	Qty	SKU	Description
1	4	151137	1/4 - 20 x 1" Hex Bolt
2	4	151098	1/4" Split Lock Washer
3	4	150068	1/4" Flat Washer
4	2	153859	Short Bracket
5	2	153860	Long Bracket

POWER RECOMMENDATION

JL Audio recommends high quality amplifiers such as the JL Audio XD300/1v2. The diagram below shows the recommended crossover settings for the XD300/1v2. For a detailed description of the amplifier settings, consult the owner's manual for the amplifier. If another amplifier is being used, please reference this illustration and use similar settings on that amplifier.



CONNECTIONS

Using quality power, signal, and speaker wire is essential in ensuring the performance of your Stealthbox®. JL Audio recommends using a 4 AWG power kit such as the XD-PCS4-1B for your Stealthbox® amplifier. Other kits are available should you be using more than one amplifier. Signal wire such as the JL Audio Premium Audio Interconnect Cables should be used to provide signal for both channels of the amplifier. JL Audio recommends using 12 AWG speaker wire for subwoofers such as our XC-BCS12-25.



STEP 1

Empty the rear seat area.



STEP 2

Lift the rear seat. Loosen the straps around the jack tools, and remove the tools from the vehicle.



STEP 3

Loosen the two clips from each side of the under-seat storage tray.



STEP 4

Remove the seven screws and bumpers from the top of the storage tray.



STEP 5

Lift up on the storage tray, and remove it from the vehicle. Pictured is the storage tray bracket.



STEP 6

Remove the two Torx bolts and two nuts that secure the storage tray bracket to the vehicle.



STEP 7

Remove the storage tray bracket from the vehicle.



STEP 8

Slide a factory Torx bolt through the hole in a Short Bracket, and partially thread it into the front factory hole.

Align the Short Bracket horizontally, with the slotted end facing inward, as shown.

Mark the location of the Short Bracket on the carpet.



STEP 9

Remove the Short Bracket and Torx bolt.

Carefully cut a slit in the carpet on each of the marks made in the previous step to allow the carpet to fold up.



STEP 10

Fold the carpet up, reinstall the Short Bracket and Torx bolt, and fully tighten.

Repeat **Steps 8-10** for the opposite side.



STEP 11

Slide a 1/4" Split Lock Washer and a 1/4" Flat Washer over a 1/4 - 20 x 1" Hex Bolt, and pass the assembly through the short end of a Long Bracket, and into a threaded insert on the back of the enclosure.

Align the Long Bracket as shown, and fully tighten.

Repeat the process for the opposite side.



STEP 12

Note the location of the threaded studs in the back of the vehicle. Push the carpet down, leaving the threaded studs exposed.



STEP 13

Connect speaker cable to the terminal cup on the side of the enclosure, and place the Stealthbox into position, as shown. Route the speaker cable as necessary.



STEP 14

Align the slot in each of the Long Brackets with the threaded studs, as shown. Add a factory nut over each threaded stud, and fully tighten.



STEP 15

Slide a 1/4" Split Lock Washer and a 1/4" Flat Washer over a 1/4 - 20 x 1" Hex Bolt, pass the assembly through the slot in a Short Bracket, into a threaded insert on the front of the enclosure, and fully tighten.

Repeat the process for the opposite side.



STEP 16

Replace the jack tools, if desired, and fold the rear seats back down.

CONGRATULATIONS!

You have completed the installation for this model! Enjoy your new Stealthbox®!



MID/HIGH FREQUENCY DRIVER FITMENT

A variety of JL Audio coaxial and component systems will fit in the factory speaker locations of your vehicle.

Location / OEM Speaker Size	Suggested JL Audio Speaker Models	
	Coaxial Models	Component Models
Front Doors / 6 x 9-inch	C1-690x, C1-690tx, C2-690tx, C5-650x ⁽¹⁾	C1-690, C3-650 ⁽¹⁾ , C5-650 ⁽¹⁾ , C7-650cw ^(1,2)
Rear Doors / 6.5-inch	C1-650x, C2-650x, C5-650x	C1-650, C2-650, C3-650, C5-650, C7-650cw ⁽²⁾

1 - Installation may require adaptor, 2 - Component woofer only

JL AUDIO® | How we play.®    

(954) 443-1100

www.jlaudio.com

All specifications are subject to change without notice. "JL Audio" and the JL Audio logo, "Stealthbox" and the Stealthbox logo, and "How we play" are registered trademarks of JL Audio, Inc. "Ahead of the Curve" and its respective logo are trademarks of JL Audio, Inc.
Printed in USA • ©2017 JL Audio, Inc. • For more detailed information please visit us online at www.jlaudio.com.

JLA-SKU# 011474 • ver. 03.22.2017 • 10369 NORTH COMMERCE PARKWAY • MIRAMAR, FLORIDA • 33025 • USA