



# Stealthbox®

INSTALLATION GUIDE  
for the

**SB-GM-CAM6G/12TW3**  
**SKU# 94633**  
**2016 & Up Chevrolet Camaro Coupe**

**Enclosure Type:** Sealed

**Driver Type:** 12TW3-D4

**Nominal Impedance:** 2 ohms

**Continuous Power Handling:** 400 watts (RMS method)

### ! IMPORTANT

If you choose to perform the installation yourself, it is absolutely vital that the Stealthbox® be properly mounted to the vehicle according to these instructions. Failure to mount the enclosure properly presents two problems:

- 1) The sub-bass performance will suffer due to the movement of the enclosure caused by the force exerted by the woofer(s).
- 2) A loose enclosure presents a serious safety hazard in the event of a collision or sudden deceleration.

INSTALLATION  
DIFFICULTY:

2 <sup>OUT</sup> OF 5

ESTIMATED TIME:  
1 HOUR

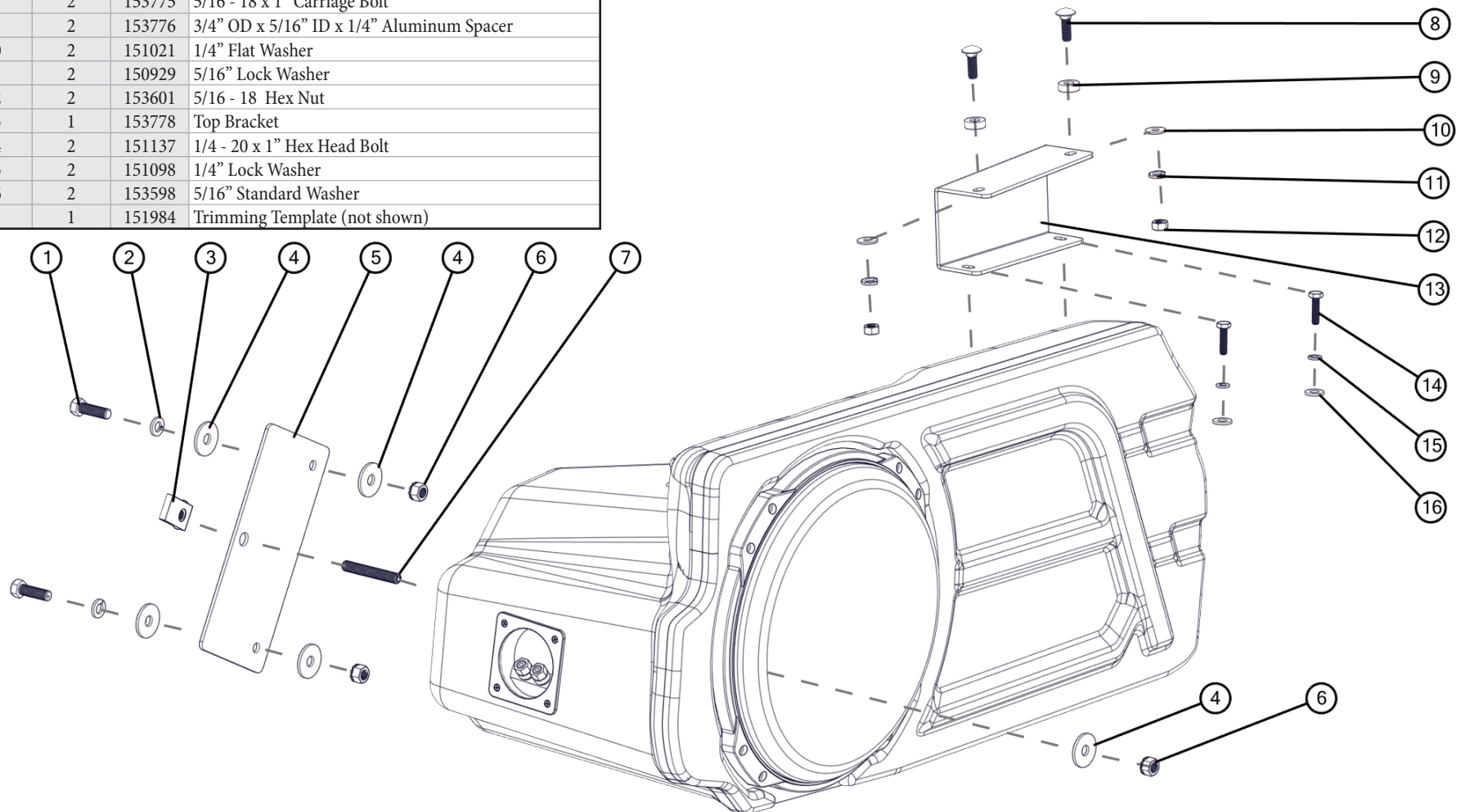


*Thank you for choosing a JL Audio Stealthbox® for your automotive sound system. With proper installation, your new vehicle-specific enclosed subwoofer system will deliver years of listening pleasure.*

*We strongly recommend that you have your new Stealthbox® installed by your authorized JL Audio dealer. The installation professionals employed by your dealer have the necessary tools and experience to disassemble and reassemble your vehicle properly. If you prefer to perform your own installation, please read this installation guide completely before beginning the process.*

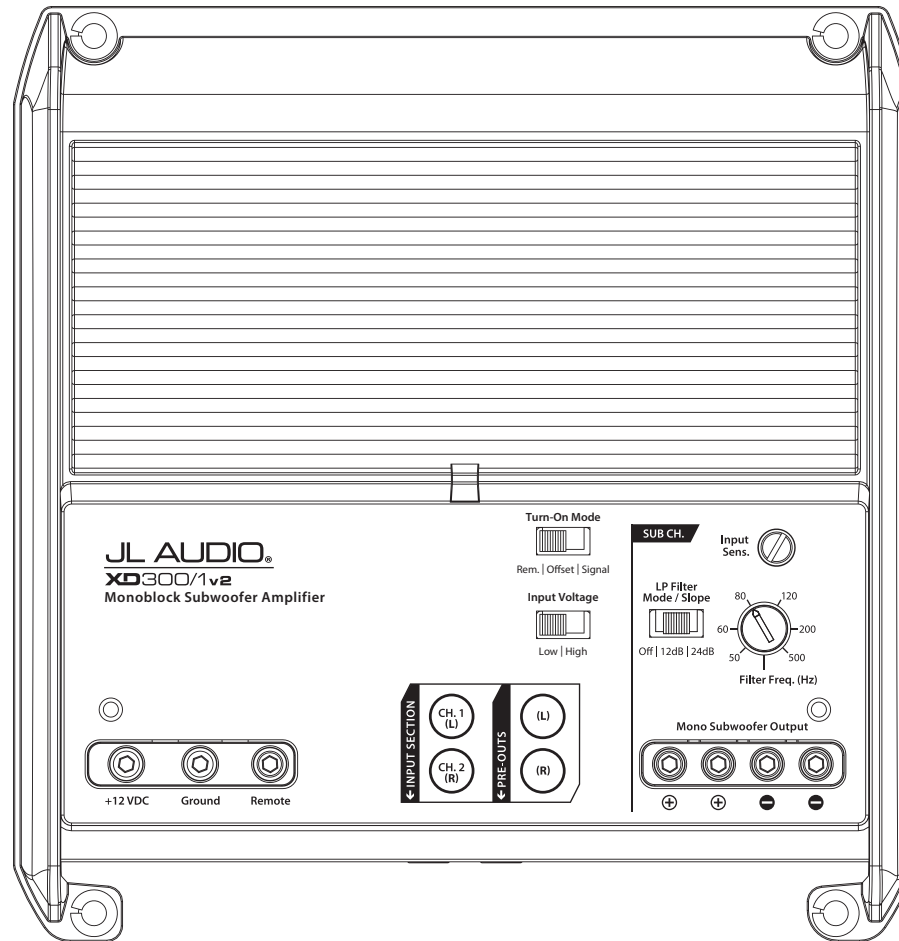
**INCLUDED HARDWARE**

BOM ID	Qty	SKU	Description
1	2	151079	3/8 - 16 x 1" Hex Head Bolt
2	2	151081	3/8" Lock Washer
3	1	151140	3/8 - 16 U-Nut
4	5	151126	3/8" Fender Washer
5	1	153777	Rear Bracket
6	3	151123	3/8 - 16 Hex Nut
7	1	153640	3/8 - 16 x 2-1/2" Set Screw
8	2	153775	5/16 - 18 x 1" Carriage Bolt
9	2	153776	3/4" OD x 5/16" ID x 1/4" Aluminum Spacer
10	2	151021	1/4" Flat Washer
11	2	150929	5/16" Lock Washer
12	2	153601	5/16 - 18 Hex Nut
13	1	153778	Top Bracket
14	2	151137	1/4 - 20 x 1" Hex Head Bolt
15	2	151098	1/4" Lock Washer
16	2	153598	5/16" Standard Washer
-	1	151984	Trimming Template (not shown)



## POWER RECOMMENDATION

JL Audio recommends high quality amplifiers such as the JL Audio XD300/1v2. The diagram below shows the recommended crossover settings for the XD300/1v2. For a detailed description of the amplifier settings, consult the owner's manual for the amplifier. If another amplifier is being used, please reference this illustration and use similar settings on that amplifier.

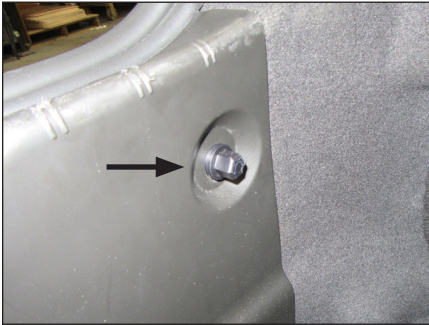


## CONNECTIONS

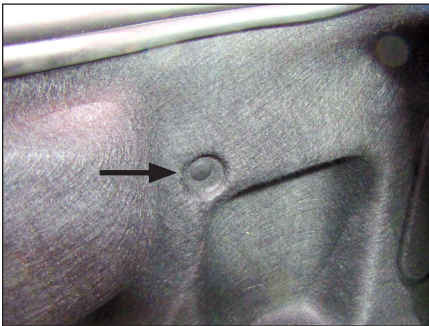
Using quality power, signal, and speaker wire is essential in ensuring the performance of your Stealthbox®. JL Audio recommends using a 4 AWG power kit such as the XD-PCS4-1B for your Stealthbox® amplifier. Other kits are available should you be using more than one amplifier. Signal wire such as the JL Audio Premium Audio Interconnect Cables should be used to provide signal for both channels of the amplifier. JL Audio recommends using 12AWG speaker wire for subwoofers such as our XC-BCS12-25.



**STEP 1**  
Empty the trunk of the vehicle.



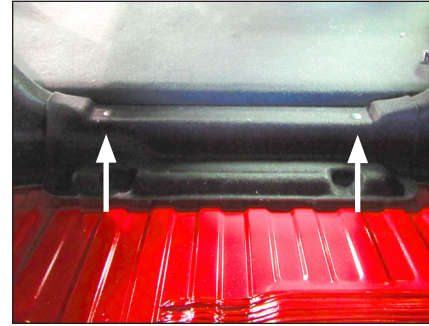
**STEP 2**  
Remove the trunk floor panel from the vehicle. Unscrew the four clips from the rear sill panel, and remove the panel from the vehicle.



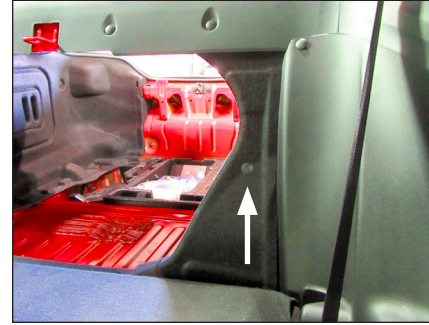
**STEP 3**  
Remove the upper clip from driver's side trunk liner panel.



**STEP 4**  
Remove the lower clip from the driver's side trunk liner panel.



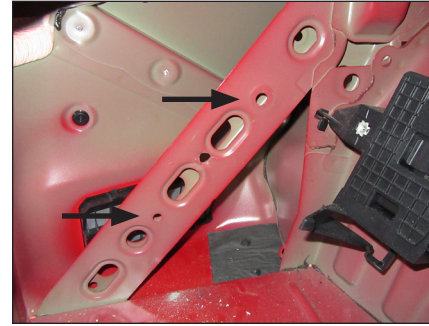
**STEP 5**  
Fold down the rear seat, remove the two clips from the center trunk liner panel, and remove the panel from the vehicle.



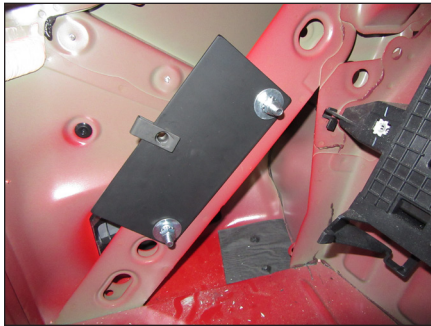
**STEP 6**  
Remove the front clip from the driver's side trunk liner panel.



**STEP 7**  
Remove the driver's side trunk liner panel from the vehicle.



**STEP 8**  
Locate the two indicated holes in the factory brace on the driver's side.



**STEP 9**

Slide a 3/8" Lock Washer and a 3/8" Fender Washer over a 3/8 - 16 x 1" Hex Head Bolt. Thread the assembly through one of the holes indicated in the previous step from the back of the brace, through a hole in the Rear Bracket. Secure with a 3/8" Fender Washer and a 3/8 - 16 Hex Nut from the front. Repeat the process for the second hole, and fully tighten. Slide a 3/8 - 16 U-Nut over the center hole as shown.



**STEP 10**

Thread a 3/8 - 16 x 2-1/2" Set Screw into the 3/8 - 16 U-Nut leaving approximately 1-1/4" protruding inward.



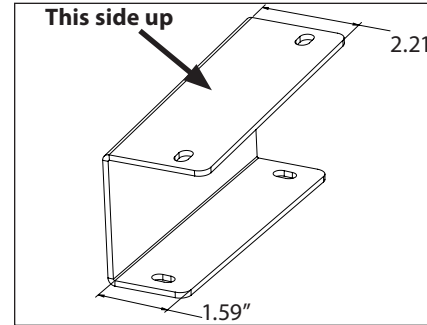
**STEP 11**

Locate the two indicated holes in the rear deck on the driver's side.



**STEP 12**

Reach through the large hole in the driver's side of the rear deck, and drop a 5/16 - 18 x 1" Carriage Bolt down through each of the holes indicated in the previous step.



**STEP 13**

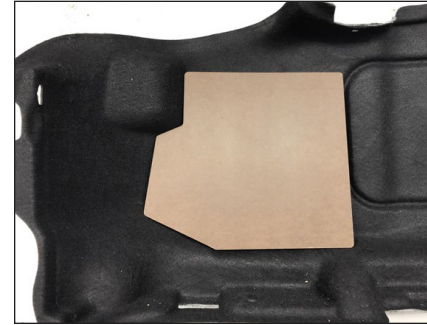
The Top Bracket is not symmetrical, with one mounting flange wider than the other. The Top Bracket should be installed with the wider mounting flange positioned at the top.



**STEP 14**

Slide a 3/4" OD x 3/8" ID, 1/4" Aluminum Spacer over each of the 5/16 - 18 x 1" Carriage Bolts, followed by the wide flange of the Top Bracket, as shown.

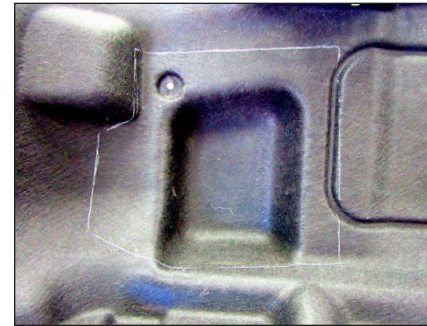
Secure the Top Bracket with a pair of 1/4" Flat Washers, 5/6" Lock Washers, and 5/16 - 18 Hex Nuts as shown, and hand tighten.



**STEP 15**

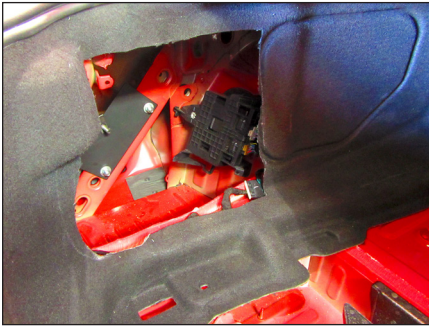
Position the Trimming Template to the driver's side trunk liner panel as shown. The base of the Trimming Template should rest on the lower floor section of the panel, and the right side of the Trimming Template should be aligned with the vertical indentation.

Use a grease pencil or similar to outline the Trimming Template onto the panel.



**STEP 16**

Pictured is the driver's side trunk liner panel with a thin, pale outline of the Trimming Template. Carefully cut the panel on the line. Note the wire harness located in the area behind the panel to avoid damaging while cutting.

**STEP 17**

Reinstall the driver's side trunk liner panel. Reinstall the clips removed in **Steps 4-6**.

**STEP 18**

Remove the woofer from the Stealthbox®. Connect speaker cable to the terminal cup on the side of the enclosure. Slide the enclosure into position under the Top Bracket, allowing the 3/8 - 16 x 2-1/2" Set Screw installed in **Step 10** to pass through the hole in the Stealthbox®.

Thread a 3/8" Fender Washer and a 3/8 - 16 Hex Nut over the 3/8 - 16 x 2-1/2" Set Screw, and hand tighten.

**STEP 19**

Slide a 1/4" Lock Washer and a 5/16" Standard Washer over each of the 1/4 - 20 x 1" Hex Head Bolts. Thread the assemblies through the lower holes in the Top Bracket, into the threaded inserts in the top of the enclosure, and hand tighten.

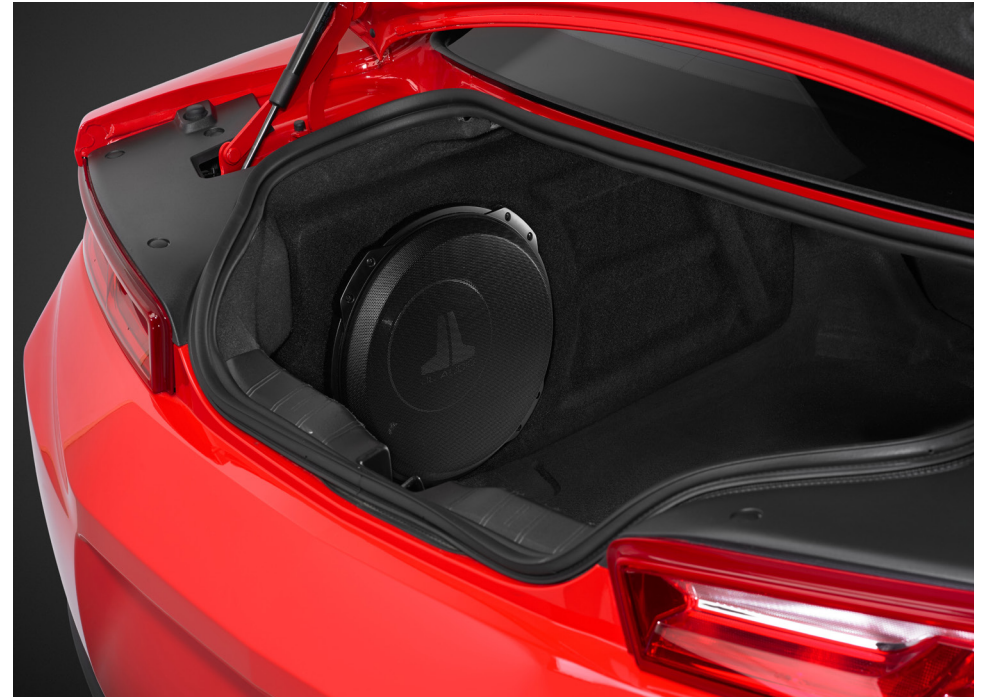
**STEP 20**

Fully tighten the hardware from **Step 18** first, then fully tighten the hardware installed in **Steps 19 and 14**.

Reinstall the subwoofer. Route the speaker cable as necessary.

**CONGRATULATIONS!**

You have completed the installation for this model! Enjoy your new Stealthbox®!

**MID/HIGH FREQUENCY DRIVER FITMENT**

A variety of JL Audio coaxial and component systems will fit in the factory speaker locations of your vehicle.

Front Speaker Size / Location: 6"x9" - Front Doors  
Fits JL Audio Models: TR690-TXi & C2-690tx

Rear Speaker Size / Location: 6-1/2" - Rear Side Panel  
Fits JL Audio Models: TR650-CXi, TR650-CSi, C2-650x, C2-650, C3-650, C5-650x, C5-650, & ZR650-CSi



**JL AUDIO** | How we play.®    

(954) 443-1100

[www.jlaudio.com](http://www.jlaudio.com)

All specifications are subject to change without notice. "JL Audio" and the JL Audio logo, and "Stealthbox" and the Stealthbox logo are registered trademarks of JL Audio, Inc. "Ahead of the Curve", its respective logo, and "How we play" are trademarks of JL Audio, Inc.  
Printed in USA • ©2016 JL Audio, Inc. • For more detailed information please visit us online at [www.jlaudio.com](http://www.jlaudio.com).

JLA-SKU# 011465 • ver. 10.27.2016 • 10369 NORTH COMMERCE PARKWAY • MIRAMAR, FLORIDA • 33025 • USA