



Stealthbox®

INSTALLATION GUIDE
for the

SB-GM-C7CP2/10TW3

SKU# 94604

2014-2019 Corvette C7 Stingray

Enclosure Type: Sealed

Driver Type: 10TW3-D8

Nominal Impedance: 2 ohms

Continuous Power Handling: 800 watts (RMS method)

! IMPORTANT

If you choose to perform the installation yourself, it is absolutely vital that the Stealthbox® be properly mounted to the vehicle according to these instructions. Failure to mount the enclosure properly presents two problems:

- 1) The sub-bass performance will suffer due to the movement of the enclosure caused by the force exerted by the woofer(s).
- 2) A loose enclosure presents a serious safety hazard in the event of a collision or sudden deceleration.

INSTALLATION
DIFFICULTY:

1 OUT OF 5

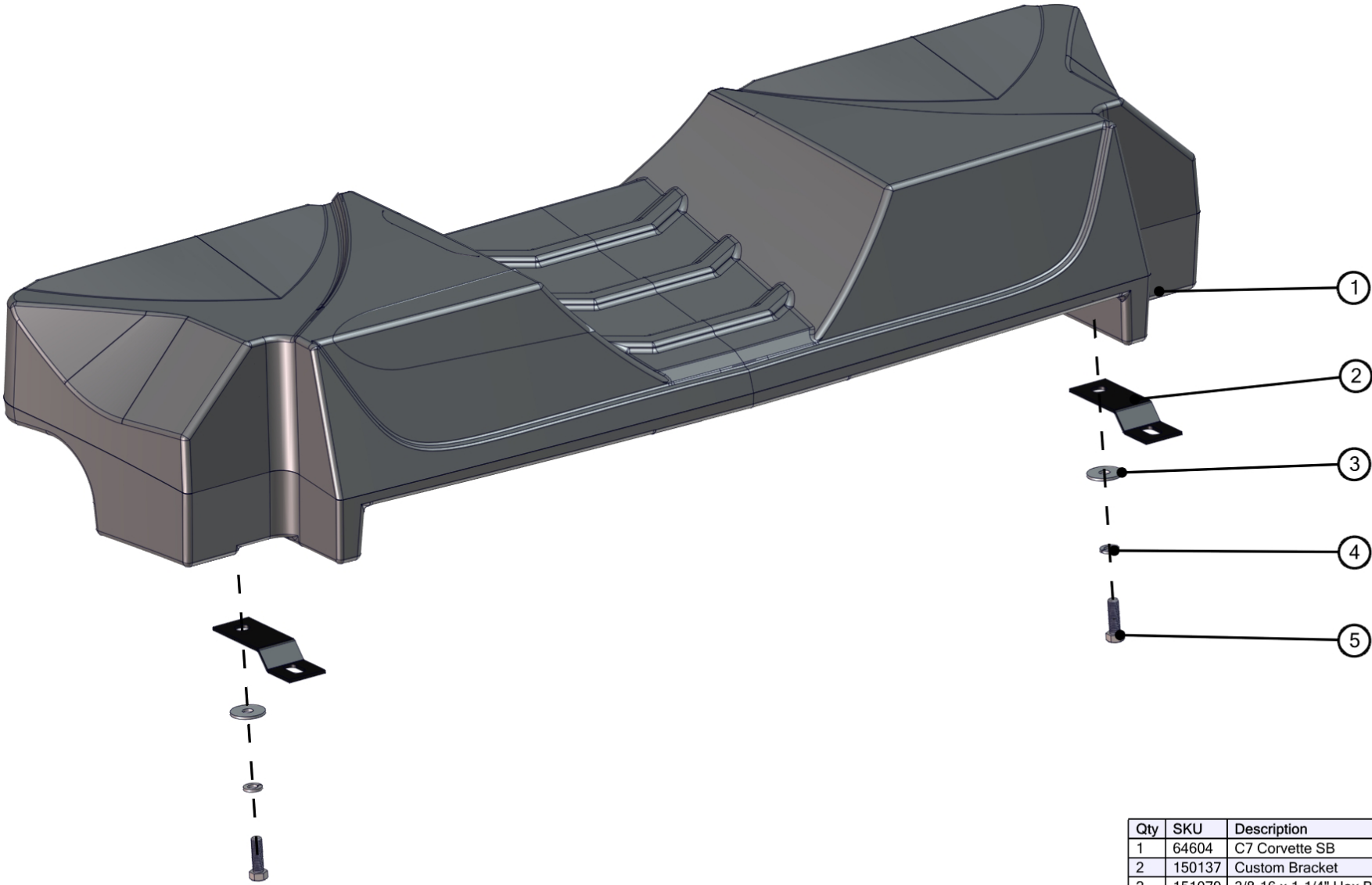
ESTIMATED TIME:
1/2 HOUR



Thank you for choosing a JL Audio Stealthbox® for your automotive sound system. With proper installation, your new vehicle-specific enclosed subwoofer system will deliver years of listening pleasure.

We strongly recommend that you have your new Stealthbox® installed by your authorized JL Audio dealer. The installation professionals employed by your dealer have the necessary tools and experience to disassemble and reassemble your vehicle properly. If you prefer to perform your own installation, please read this installation guide completely before beginning the process.

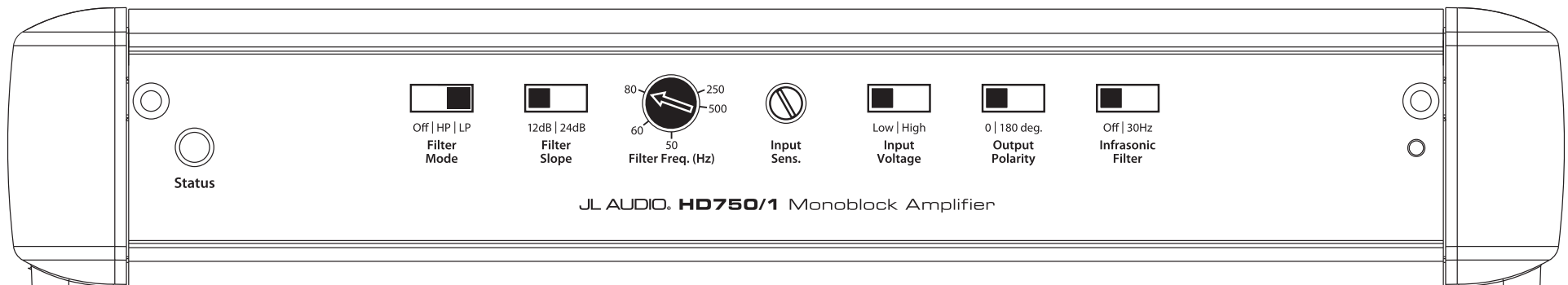
INCLUDED HARDWARE



Qty	SKU	Description
1	64604	C7 Corvette SB
2	150137	Custom Bracket
2	151079	3/8-16 x 1-1/4" Hex Bolt
2	151081	3/8" Lock Washer
2	151126	3/8" x 1-1/4" Fender Washer

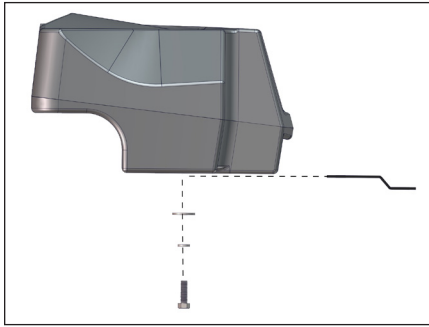
POWER RECOMMENDATION

JL Audio recommends high quality amplifiers such as the JL Audio HD750/1. The diagram below shows the recommended crossover settings for the HD750/1. For a detailed description of the amplifier settings, consult the owner's manual for the amplifier. If another amplifier is being used, please reference this illustration and use similar settings on that amplifier.



CONNECTIONS

Using quality power, signal, and speaker wire is essential in ensuring the performance of your Stealthbox®. JL Audio recommends using a 4 AWG power kit such as the XD-PCS4-1B for your Stealthbox® amplifier. Other kits are available should you be using more than one amplifier. Signal wire such as the JL Audio Premium Audio Interconnect Cables should be used to provide signal for both channels of the amplifier. JL Audio recommends using 12AWG speaker wire for subwoofers such as our XC-BCS12-25.



STEP 1

Secure each of the Brackets to the threaded inserts on the bottom of the Stealthbox® using a 3/8 - 16 x 1-1/4" Hex Bolt, 3/8" Lock Washer, and 3/8" Fender Washer as illustrated.



STEP 2

Pictured is the Stealthbox® with both Brackets attached.



STEP 3

Empty out the trunk of the vehicle. Carefully unclip the two tie-down hook bolt covers, and remove the bolts.



STEP 4

Connect speaker cable to the terminal cup on the enclosure, place the Stealthbox into position, and rout the cable as necessary.

Thread the two bolts removed in the previous step through the holes in the Brackets, and firmly tighten. Snap the two bolt covers back into place.

CONGRATULATIONS!

You have completed the installation for this model! Enjoy your new Stealthbox®!



MID/HIGH FREQUENCY DRIVER FITMENT

A variety of JL Audio coaxial and component systems will fit in the factory speaker locations of your vehicle.

Front Speaker Size / Location: 10"- Front Doors
 Fits JL Audio Models: C1-650, C1-650x, C2-650, C2-650x, C3-650, C5-650, C5-650x, & C7-650cw

Rear Speaker Size / Location: 6-1/2"- Side Panels
 Fits JL Audio Models: C1-650, C1-650x, C2-650, C2-650x, C3-650, C5-650, C5-650x, & C7-650cw



JL AUDIO® | How we play.™    

(954) 443-1100

www.jlaudio.com

All specifications are subject to change without notice. "JL Audio" and the JL Audio logo, and "Stealthbox" and the Stealthbox logo are registered trademarks of JL Audio, Inc. "Ahead of the Curve", its respective logo, and "How we play" are trademarks of JL Audio, Inc.
 Printed in USA • ©2019 JL Audio, Inc. • For more detailed information please visit us online at www.jlaudio.com.

JLA-SKU# 011382 • ver. 09.30.2019 • 10369 NORTH COMMERCE PARKWAY • MIRAMAR, FLORIDA • 33025 • USA