



Ahead of the Curve®



Stealthbox®

INSTALLATION GUIDE
for the

SB-GM-AVAL/12TW3

SKU# 94298

2001 - 2013 Chevy Avalanche & 2002 - 2013 Cadillac Escalade EXT

Enclosure Type: Sealed

Driver Type: 12TW3-D8

Nominal Impedance: 2 ohms

Continuous Power Handling: 800 watts (RMS method)

! IMPORTANT

If you choose to perform the installation yourself, it is absolutely vital that the Stealthbox® be properly mounted to the vehicle according to these instructions. Failure to mount the enclosure properly presents two problems:

- 1) The sub-bass performance will suffer due to the movement of the enclosure caused by the force exerted by the woofer(s).
- 2) A loose enclosure presents a serious safety hazard in the event of a collision or sudden deceleration.

INSTALLATION
DIFFICULTY:

2 OUT OF **5**

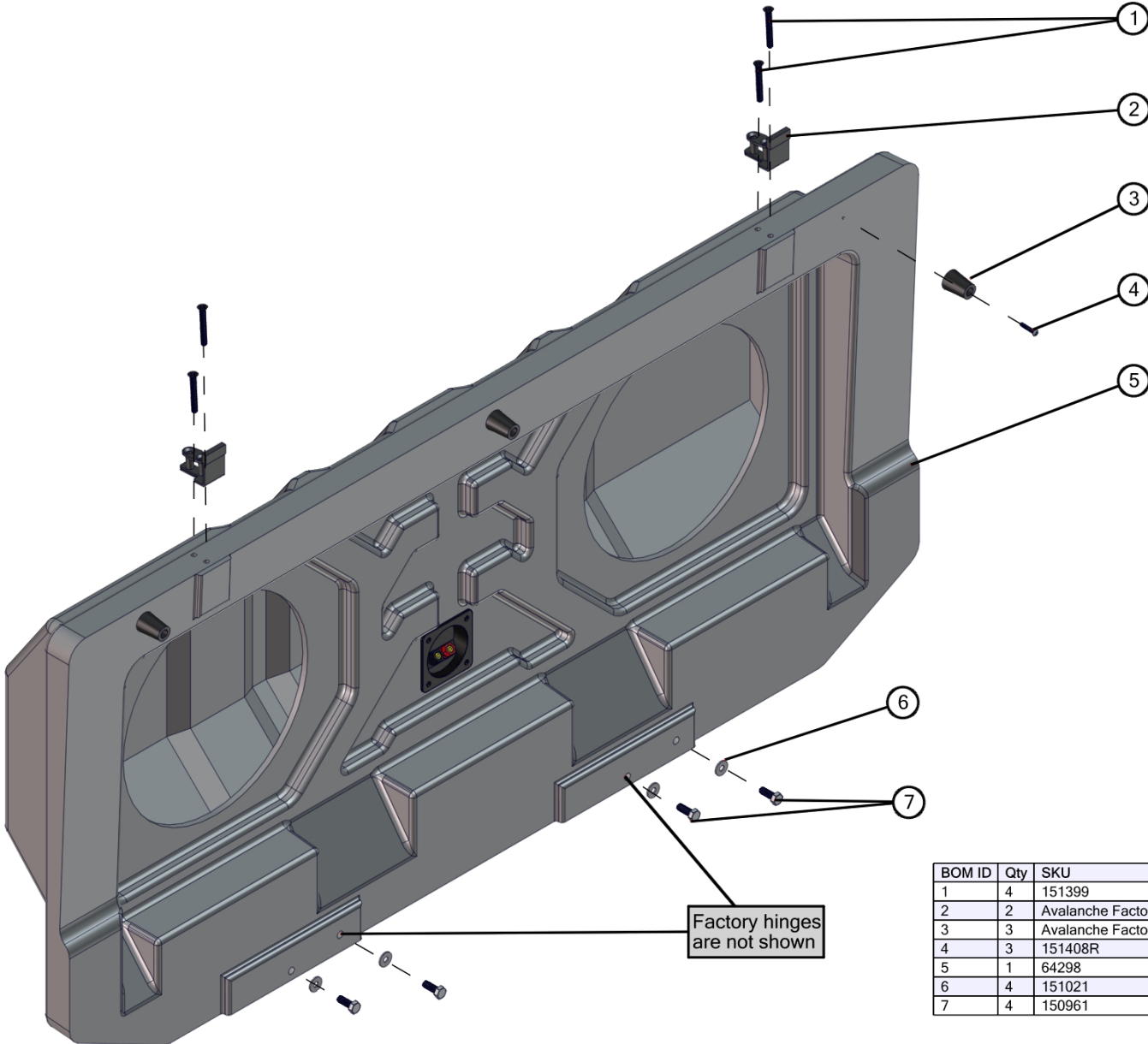
ESTIMATED TIME:
1 - 2 HOURS



Thank you for choosing a JL Audio Stealthbox® for your automotive sound system. With proper installation, your new vehicle-specific enclosed subwoofer system will deliver years of listening pleasure.

We strongly recommend that you have your new Stealthbox® installed by your authorized JL Audio dealer. The installation professionals employed by your dealer have the necessary tools and experience to disassemble and reassemble your vehicle properly. If you prefer to perform your own installation, please read this installation guide completely before beginning the process.

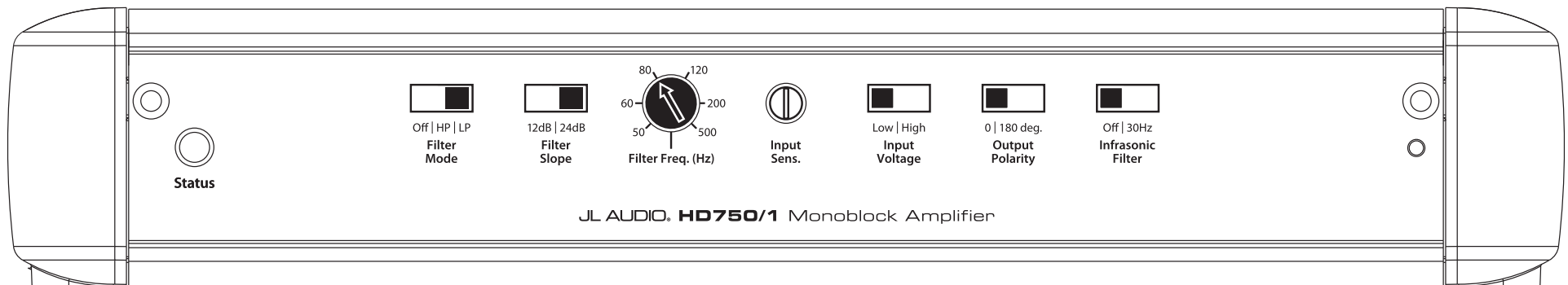
INCLUDED HARDWARE



BOM ID	Qty	SKU	Description
1	4	151399	1/4-20 x 2" Phillips Flat Head Screw
2	2	Avalanche Factory Bracket	Avalanche Factory Bracket
3	3	Avalanche Factory Rubber Stop	Avalanche Factory Rubber Stop
4	3	151408R	#8 x 1" Phillips Pan Head Screw
5	1	64298	Chevy Avalanche SB
6	4	151021	1/4" Flat Washer
7	4	150961	M8 x 22mm Hex Cap Bolt

POWER RECOMMENDATION

JL Audio recommends high quality amplifiers such as the JL Audio HD750/1. The diagram below shows the recommended crossover settings for the HD750/1. For a detailed description of the amplifier settings, consult the owner's manual for the amplifier. If another amplifier is being used, please reference this illustration and use similar settings on that amplifier.



CONNECTIONS

Using quality power, signal, and speaker wire is essential in ensuring the performance of your Stealthbox®. JL Audio recommends using a 4 AWG power kit such as the XD-PCS4-1B for your Stealthbox® amplifier. Other kits are available should you be using more than one amplifier. Signal wire such as the JL Audio Premium Audio Interconnect Cables should be used to provide signal for both channels of the amplifier. JL Audio recommends using 12AWG speaker wire for subwoofers such as our XC-BCS12-25.



STEP 1

Empty out the back seat area.



STEP 2

Fold the rear seats forward.



STEP 3

Carefully unclip and remove the two hinge cover panels.



STEP 4

Remove the bolts holding the two hinges to the midgate. Remove the nuts holding the two hinges to the floor. Remove the midgate from the vehicle.



STEP 5

Remove the two latch assemblies from the top of the midgate.



STEP 6

Pictured is a factory latch and associated hardware. The latches and spacers will be used on the Stealthbox®. The factory screws will not be used.



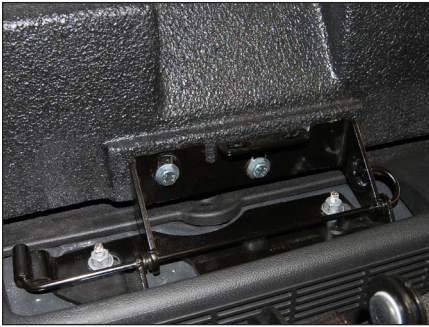
STEP 7

Remove three of the factory rubber stops from the midgate. The factory screws will not be used.



STEP 8

Install each of the factory latches and spacers onto the top of the Stealthbox® using a pair of 1/4 - 20 x 2" Phillips Flat Head Screws.

**STEP 9**

Place the Stealthbox® into the vehicle, allowing the two latches to lock into position.

Attach each factory hinge to the Stealthbox® using a pair of M8 x 22 mm Hex Cap Bolts with 1/4" Flat Washers. Secure the factory hinges to the floor using the factory nuts. Verify smooth folding of the Stealthbox®, making adjustments as necessary, then fully tighten all hardware.

**STEP 10**

Using a 1/8" drill bit, drill a hole on each of the three indents on the front of the enclosure.

Secure each of the three factory rubber stops to the Stealthbox® using a #8 x 1" Phillips Pan Head Screw.

**STEP 11**

Reinstall the two factory hinge cover panels.

**STEP 12**

Connect speaker cable to the terminal on the enclosure, and route as necessary.

CONGRATULATIONS!

You have completed the installation for this model! Enjoy your new Stealthbox®!

**MID/HIGH FREQUENCY DRIVER FITMENT**

A variety of JL Audio coaxial and component systems will fit in the factory speaker locations of your vehicle.

Front Speaker Size / Location: 6-1/2"- Front Doors

Fits JL Audio Models: TR650-CXi, TR650-CSi, C2-650x, C2-650, C3-650, C5-650x, C5-650, & ZR650-CSi

Rear Speaker Size / Location: 6-1/2"- Rear Door

Fits JL Audio Models: TR650-CXi, TR650-CSi, C2-650x, C2-650, C3-650, C5-650x, C5-650, & ZR650-CSi



JL AUDIO | How we play.™    

(954) 443-1100

www.jlaudio.com

All specifications are subject to change without notice. "JL Audio"™ and the JL Audio logo, "Stealthbox" and the Stealthbox logo are registered trademarks of JL Audio, Inc. "Ahead of the Curve" and its respective logo is a trademark of JL Audio, Inc.

Printed in USA • ©2016 JL Audio, Inc. • For more detailed information please visit us online at www.jlaudio.com.

JLA-SKU# 011188 • ver. 02.28.2017 • 10369 NORTH COMMERCE PARKWAY • MIRAMAR, FLORIDA • 33025 • USA