



Ahead of the Curve®



## Stealthbox®

INSTALLATION GUIDE  
for the

**SB-GM-3GSLVCNSL/10TW1**

**SKU# 94645**

**2014-2018 Chevrolet Silverado & GMC Sierra**

**Enclosure Type:** Sealed

**Driver Type:** 10TW1-2

**Nominal Impedance:** 2 ohms

**Continuous Power Handling:** 300 watts (RMS method)

SB-GM-3GSLVCNSL/10TW1 INSTR\_SKU# 011491

### ! IMPORTANT

If you choose to perform the installation yourself, it is absolutely vital that the Stealthbox® be properly mounted to the vehicle according to these instructions. Failure to mount the enclosure properly presents two problems:

- 1) The sub-bass performance will suffer due to the movement of the enclosure caused by the force exerted by the woofer(s).
- 2) A loose enclosure presents a serious safety hazard in the event of a collision or sudden deceleration.

INSTALLATION  
DIFFICULTY:

1 OUT OF 5

ESTIMATED TIME:  
1 HOUR



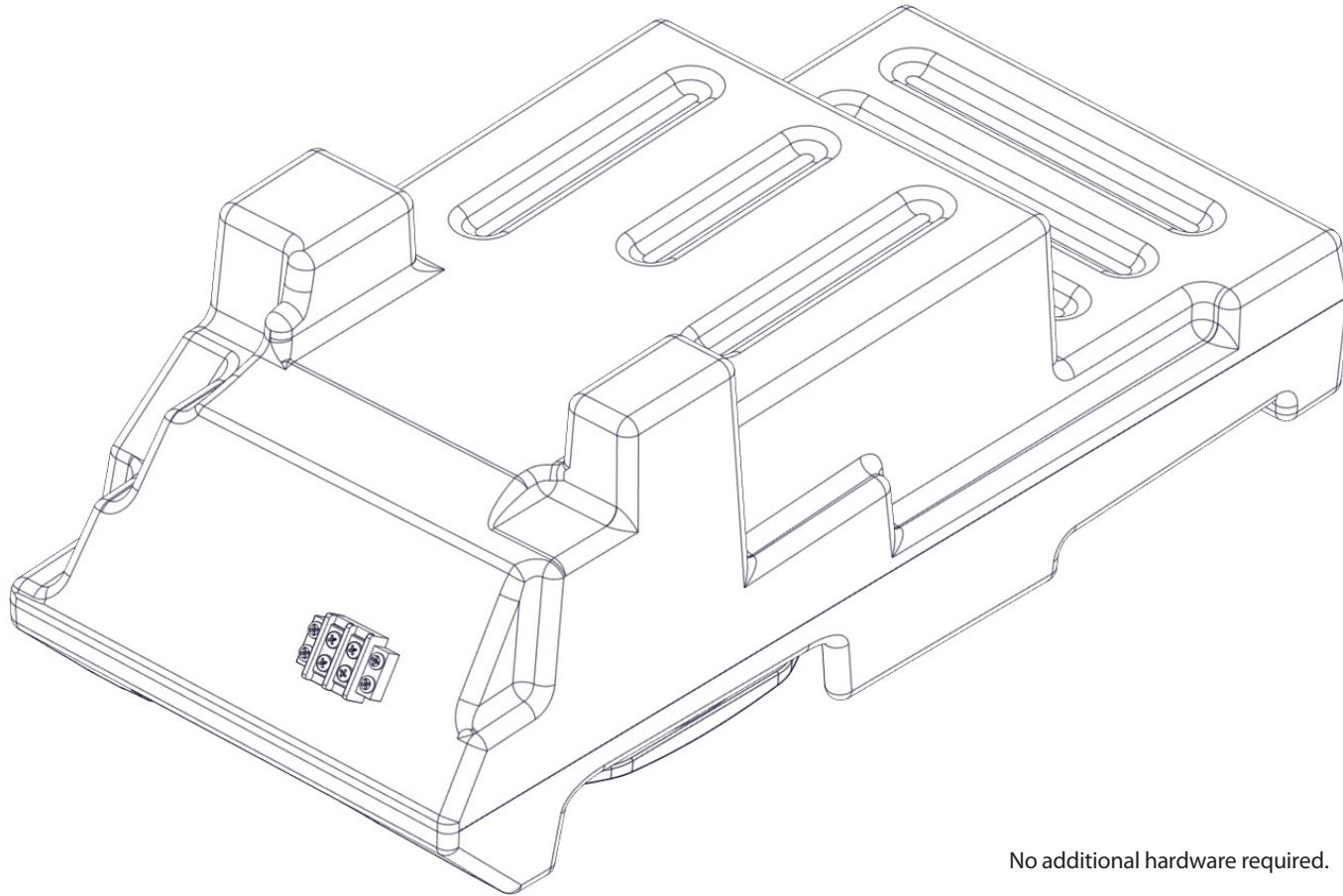
*Thank you for choosing a JL Audio Stealthbox® for your automotive sound system. With proper installation, your new vehicle-specific enclosed subwoofer system will deliver years of listening pleasure.*

*We strongly recommend that you have your new Stealthbox® installed by your authorized JL Audio dealer. The installation professionals employed by your dealer have the necessary tools and experience to disassemble and reassemble your vehicle properly. If you prefer to perform your own installation, please read this installation guide completely before beginning the process.*

Continued on Next Page

**INCLUDED HARDWARE**

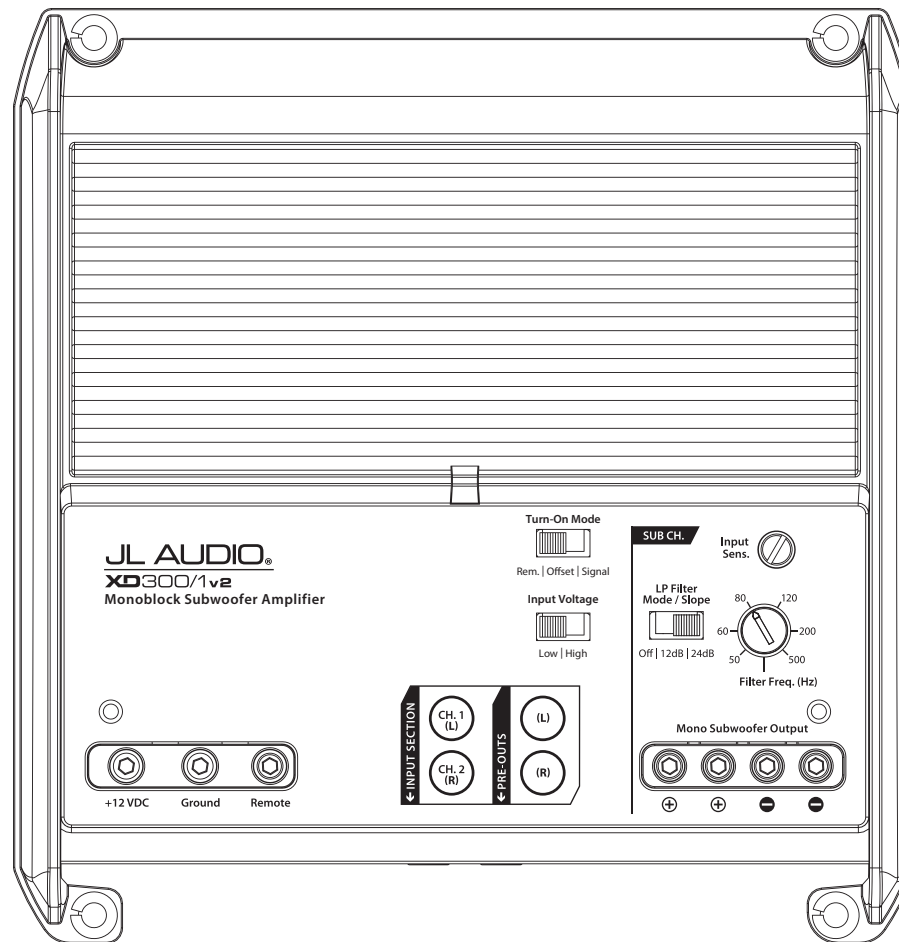
---



No additional hardware required.

## POWER RECOMMENDATION

JL Audio recommends high quality amplifiers such as the JL Audio XD300/1v2. The diagram below shows the recommended crossover settings for the XD300/1v2. For a detailed description of the amplifier settings, consult the owner's manual for the amplifier. If another amplifier is being used, please reference this illustration and use similar settings on that amplifier.



## CONNECTIONS

Using quality power, signal, and speaker wire is essential in ensuring the performance of your Stealthbox®. JL Audio recommends using a 4 AWG power kit such as the XD-PCS4-1B for your Stealthbox® amplifier. Other kits are available should you be using more than one amplifier. Signal wire such as the JL Audio Premium Audio Interconnect Cables should be used to provide signal for both channels of the amplifier. JL Audio recommends using 12 AWG speaker wire for subwoofers such as our XC-BCS12-25.



**STEP 1**

Empty the driver and passenger front seat area.



**STEP 2**

Carefully unclip the dash trim panel on the driver's side.



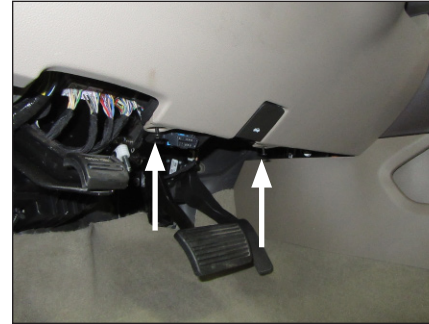
**STEP 3**

Remove the dash trim panel from the vehicle.



**STEP 4**

Remove the two T15 Torx screws from the side of the bolster panel.



**STEP 5**

Remove the two T15 Torx screws from the bottom of the bolster panel.



**STEP 6**

Carefully unclip the bolster panel.



**STEP 7**

Remove the bolster panel from the dash.



**STEP 8**

Unclip the hood release, and remove the bolster panel from the vehicle.





**STEP 9**

Carefully unclip the lower trim panel from the side of the center console.



**STEP 10**

Remove the lower trim panel from vehicle.



**STEP 11**

Remove the 15mm bolt from the base of the center console.



**STEP 12**

Slide the seat forward. Carefully unclip the bolt cover panel.



**STEP 13**

Remove the 15mm bolt from the back of the center console.

Repeat **Steps 9-13** for the passenger side.



**STEP 14**

Open the center console lid. Carefully unclip the upper console trim panel.



**STEP 15**

Disconnect the wiring harnesses from the upper console trim panel, and remove the panel from the vehicle.



**STEP 16**

Disconnect the wiring harnesses from the lower console.



**STEP 17**

Remove the 10mm bolt from the front of the lower console.

Repeat for the passenger side.



**STEP 18**

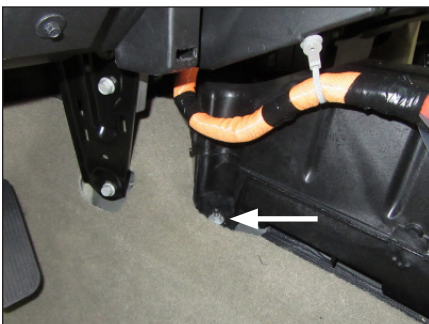
Slide the center console backward.

Pictured is the factory subwoofer enclosure. For vehicles without a factory subwoofer, skip to **Step 22**.



**STEP 19**

Disconnect the wiring harness from the factory subwoofer enclosure.



**STEP 20**

Remove the three 10mm nuts securing the factory subwoofer enclosure to the floor. These will not be reinstalled.



**STEP 21**

Remove the factory subwoofer enclosure from the vehicle.



**STEP 22**

Place the Stealthbox® into the vehicle between the front seats with the subwoofer facing down and the side with the barrier strip to the front.

Connect speaker cable to the barrier strip on the front of the enclosure, and route the cable as necessary.



**STEP 23**

Position the Stealthbox® in the vehicle as shown. The enclosure should be centered and slid forward, allowing the recesses in the enclosure to fit the contours of the floor.

No mounting hardware is required, as the enclosure will be secured once the center console is reinstalled.



**STEP 24**

Slide the center console back into position, and connect the lower console wiring harnesses.

Reinstall the two 10mm bolts in the front of the lower console.





**STEP 25**

Reinstall the four 15mm bolts in the base of the center console.



**STEP 26**

Connect the upper console trim panel wiring harnesses, and reinstall the trim panel.



**STEP 27**

Reinstall the lower trim panel on each side of the center console.



**STEP 28**

Reinstall the hood release, bolster panel, four T15 Torx screws, and dash trim panel.

**CONGRATULATIONS!**

You have completed the installation for this model! Enjoy your new Stealthbox®!



**MID/HIGH FREQUENCY DRIVER FITMENT**

A variety of JL Audio coaxial and component systems will fit in the factory speaker locations of your vehicle.

Location / OEM Speaker Size	Suggested JL Audio Speaker Models	
	Coaxial Models	Component Models
Front Doors / 6 x 9-inch	C1-690x, C1-690tx, C2-690tx, C5-650x <sup>(1)</sup>	C1-690, C3-650 <sup>(1)</sup> , C5-650 <sup>(1)</sup> , C7-650cw <sup>(1,2)</sup>
Rear Doors / 6.5-inch	C1-650x, C2-650x, C5-650x	C1-650, C2-650, C3-650, C5-650, C7-650cw <sup>(2)</sup>

1 - Installation may require adaptor, 2 - Component woofer only

**JL AUDIO** | How we play.®    

(954) 443-1100

[www.jlaudio.com](http://www.jlaudio.com)

All specifications are subject to change without notice. "JL Audio" and the JL Audio logo, "Stealthbox" and the Stealthbox logo, and "How we play" are registered trademarks of JL Audio, Inc. "Ahead of the Curve" and its respective logo are trademarks of JL Audio, Inc. Printed in USA • ©2018 JL Audio, Inc. • For more detailed information please visit us online at [www.jlaudio.com](http://www.jlaudio.com).

JLA-SKU# 011491 • ver. 12.05.2018 • 10369 NORTH COMMERCE PARKWAY • MIRAMAR, FLORIDA • 33025 • USA