



Ahead of the Curve®



## Stealthbox®

INSTALLATION GUIDE  
for the

**SB-D-5GRAMQC/10TW3**

**SKU# 94697**

**2020 & Up RAM Quad Cab**

**Enclosure Type:** Sealed

**Driver Type:** 10TW3-D8

**Nominal Impedance:** 2 ohms

**Continuous Power Handling:** 800 watts (RMS method)

SB-D-5GRAMQC/10TW3 INSTR\_SKU# 011564

### ! IMPORTANT

- Installation requires appropriate tools and safety equipment. Professional installation is recommended.
- If you prefer to perform your own installation, please read this installation guide completely before beginning.
- Before cutting or drilling, check for potential obstacles behind mounting surfaces.
- Mount this product securely to prevent damage or injury in severe conditions.

INSTALLATION  
DIFFICULTY:

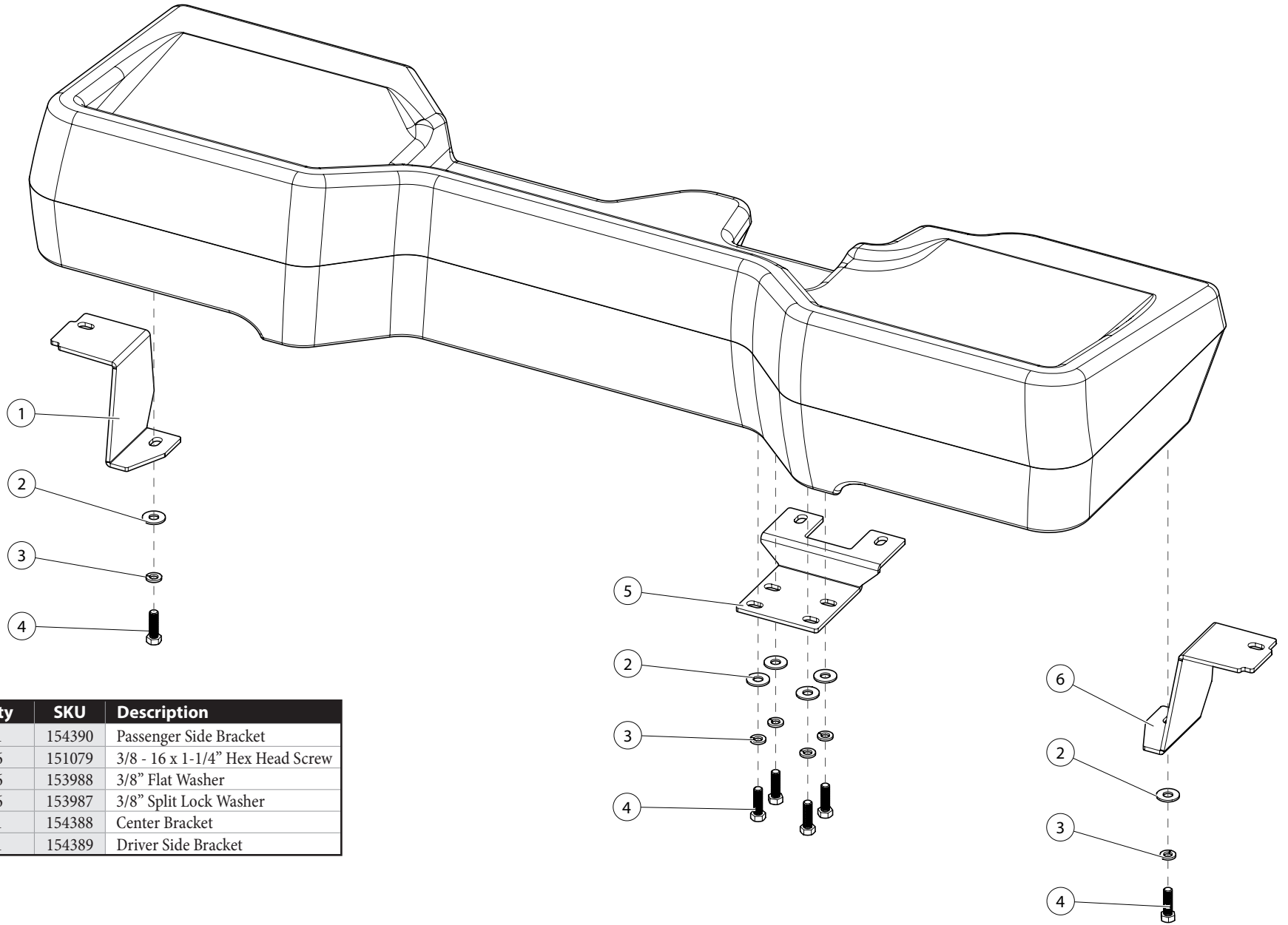
2 <sup>OUT</sup> OF 5

ESTIMATED TIME:  
1 HOUR



Continued on Next Page

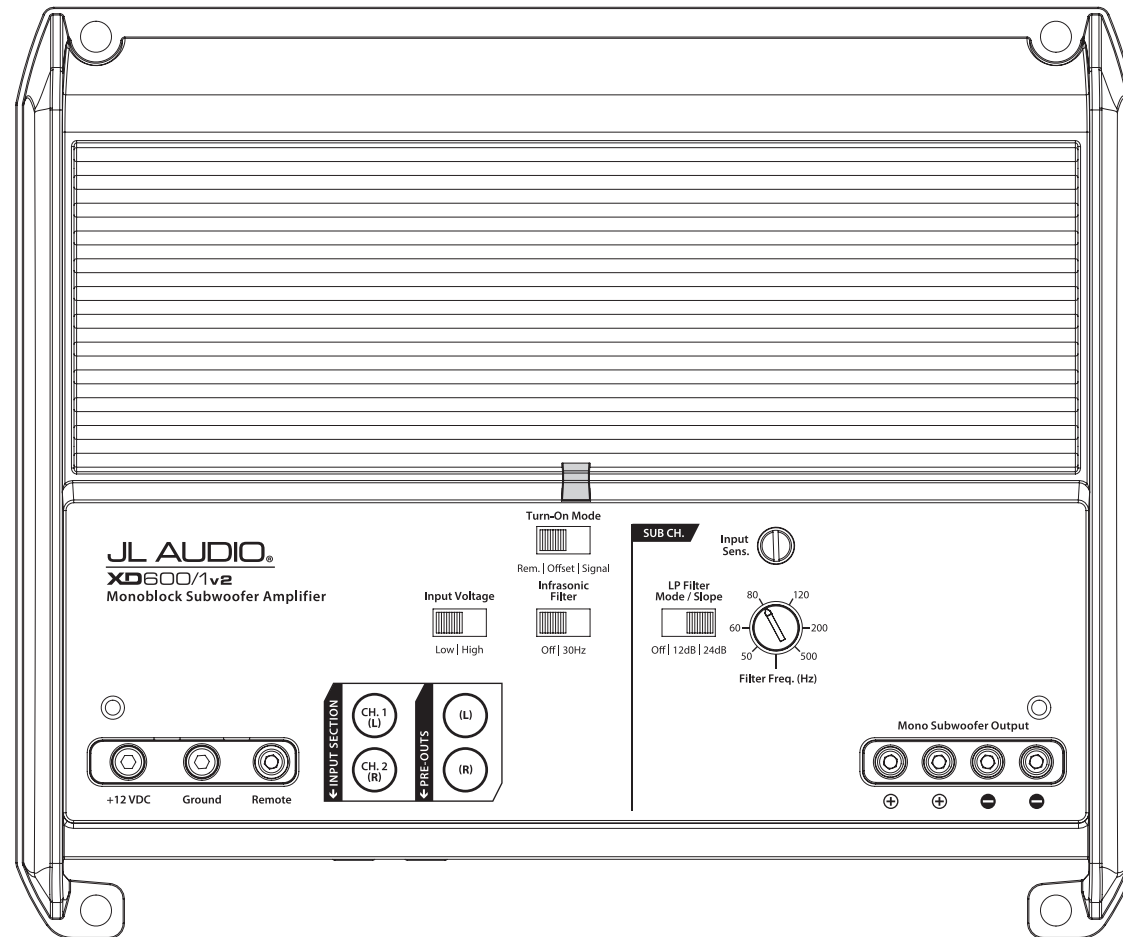
**INCLUDED HARDWARE**



BOM ID	Qty	SKU	Description
1	1	154390	Passenger Side Bracket
2	6	151079	3/8 - 16 x 1-1/4" Hex Head Screw
3	6	153988	3/8" Flat Washer
4	6	153987	3/8" Split Lock Washer
5	1	154388	Center Bracket
6	1	154389	Driver Side Bracket

## POWER RECOMMENDATION

JL Audio recommends high quality amplifiers such as the JL Audio XD600/1v2. The diagram below shows the recommended crossover settings for the XD600/1v2. For a detailed description of the amplifier settings, consult the owner's manual for the amplifier. If another amplifier is being used, please reference this illustration and use similar settings on that amplifier.



## CONNECTIONS

Using quality power, signal, and speaker wire is essential in ensuring the performance of your Stealthbox®. JL Audio recommends using a 4 AWG power kit such as the XD-PCS4-1B for your Stealthbox® amplifier. Other kits are available should you be using more than one amplifier. Signal wire such as the JL Audio Premium Audio Interconnect Cables should be used to provide signal for both channels of the amplifier. JL Audio recommends using 12 AWG speaker wire for subwoofers such as our XC-BCS12-25.



**STEP 1**

Empty the rear seat area of the vehicle.



**STEP 2**

Fold up the rear seat bottoms.



**STEP 3**

Remove the two indicated center factory seat bracket bolts.



**STEP 4**

Remove the indicated driver side factory seat bracket bolt.

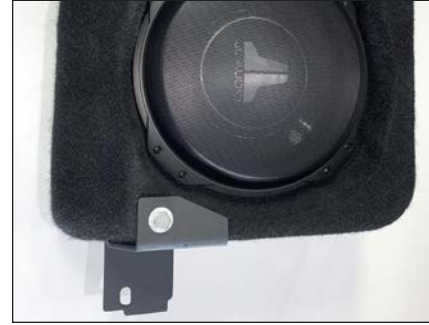
Repeat for the passenger side.



**STEP 5**

Place the enclosure on a flat surface with the woofers facing up.

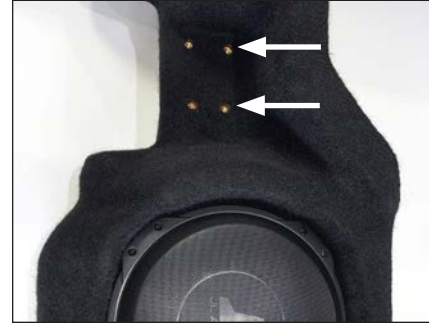
Locate the threaded insert in the outer corner of the enclosure.



**STEP 6**

Align the slot in the Driver Side Bracket with the threaded insert in the enclosure, as shown. Slide a 3/8" Split Lock Washer and a 3/8" Flat Washer over a 3/8 - 16 x 1-1/4" Hex Head Screw, pass the assembly through the slot in the Driver Side Bracket, into the threaded insert, and hand tighten.

Repeat the process for the opposite side using the Passenger Side Bracket.



**STEP 7**

Locate the four threaded inserts in the center of the enclosure.



**STEP 8**

Align the slots in the Center Bracket with the threaded inserts in the enclosure, as shown. Slide a 3/8" Split Lock Washer and a 3/8" Flat Washer over each of four 3/8 - 16 x 1-1/4" Hex Head Screws. Pass an assembly through each slot in the Center Bracket, into the threaded insert, and hand tighten.



**STEP 9**

Carefully place the Stealthbox® into position in the vehicle. Align the slots in Center Bracket, Driver Side Bracket, and Passenger Side Bracket with the factory seat bracket holes in the vehicle.

Adjust the brackets, as needed, then carefully lift the enclosure and fully tighten all six 3/8 - 16 x 1-1/4" Hex Head Screws.



**STEP 10**

Connect speaker cable to the barrier strip on the bottom of the enclosure, and route the cable as needed.

Align the enclosure once more, reinstall the factory seat bracket bolts, and fully tighten.



**STEP 11**

Lower the seat bottoms.

**CONGRATULATIONS!**

You have completed the installation for this model! Enjoy your new Stealthbox®!



**MID/HIGH FREQUENCY DRIVER FITMENT**

A variety of JL Audio coaxial and component systems will fit in the factory speaker locations of your vehicle.

Location / OEM Speaker Size	Suggested JL Audio Speaker Models	
	Coaxial Models	Component Models
Front Doors / 6 x 9-inch	C1-690x, C1-690tx, C2-690tx	C1-690, C3-650 <sup>(1)</sup> , C7-650cw <sup>(1,2)</sup>
Rear Doors / 6 x 9-inch	C1-690x, C1-690tx, C2-690tx	C1-690, C3-650 <sup>(1)</sup> , C7-650cw <sup>(1,2)</sup>

1 - Installation may require adaptor, 2 - Component woofer only

**JL AUDIO** | How we play.®    

(954) 443-1100

[www.jlaudio.com](http://www.jlaudio.com)

All specifications are subject to change without notice. "JL Audio" and "How we play" are registered trademarks of JL Audio, Inc. "Ahead of the Curve" and its respective logo are trademarks of JL Audio, Inc.

Printed in USA • ©2021 JL Audio, Inc. • For more detailed information please visit us online at [www.jlaudio.com](http://www.jlaudio.com).

JLA-SKU# 94697 • ver. 10.06.2021 • 10369 NORTH COMMERCE PARKWAY • MIRAMAR, FLORIDA • 33025 • USA



\*011564\*