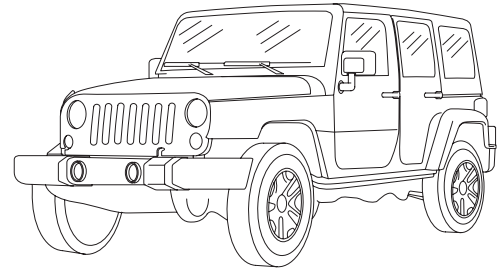


# PWE-S8-WRA

## Compact Subwoofer for Jeep



- Model: Wrangler Unlimited
- Model Year: 2011-UP
- For Drivers Seat Installation Only
- Not compatible with factory equipped subwoofer system.

\* The specified vehicles have been tested and have met compatibility specs at the time of testing. Compatibility is not guaranteed if the manufacturer has made production changes to the listed vehicles above.

**⚠ Warning: Before you begin wiring, disconnect the negative (-) terminal from the battery for 3 minutes before continuing. Failure to do so can lead to electric shock, injury or damage to equipment.**



### Introduction

- Design and specifications are subject to change without notice for improvement.





### To Ensure Safe Use, Always Follow These Precautions

- The installation of this product requires specialized skills and experience. We recommend that you have the product installed by an Alpine authorized dealer.
- Before you use this product, be sure to carefully read this installation manual and the separate user's manual so that you can use the product correctly. Alpine Electronics bears no responsibility for problems that arise as a result of failure to follow the instructions in the manuals.
- This manual includes a number of symbols that are intended to help you use the product safely, to prevent harm to you and others, and to protect against damage to property. These symbols and their meanings are listed below. Make sure you fully understand these symbols before you begin reading the main text.

### Explanations of Injury and Damage That May Result from Incorrect Use

 <b>Warning</b>	Ignoring the content marked by this indication and using the product incorrectly is expected to lead to death or serious injury.
 <b>Caution</b>	Ignoring the content marked by this indication and using the product incorrectly is only expected to lead to injury or property damage.

Types of Precautions

 Forbidden	Indicates actions that are forbidden (must not be performed)	 Mandatory	Indicates actions that are mandatory (must be performed)
 Forbidden	Indicates that disassembly is forbidden.		Marks content that should receive your full attention.

 **Warning**

**Do not disassemble or modify the product. Doing so could lead to an accident, fire, or electric shock.**



Forbidden

**Store screws and other small objects where small children cannot reach them. If one of these small objects is swallowed, consult with a doctor immediately.**



**When replacing fuses, be sure to use fuses with the specified current rating. Failing to do so could lead to an accident or fire.**



Forbidden



Mandatory

**Only connect the product to a 12 VDC negative ground car. Failing to do so could lead to an accident or fire.**



Mandatory

**Before you begin wiring, remove the ground wire from the negative terminal of the battery. Failing to do so could lead to electric shock or injury.**



**Do not cut the insulation on a cord and take power from another device. Doing so could lead to fire or electric shock.**



Forbidden

**Do not install the product in a location where it will obstruct the driver's forward view; interfere with the operation of the steering wheel, gearshift, or the like; or pose a threat to passengers. Doing so could lead to an accident or injury.**



Forbidden

**When making a hole in the vehicle body, be careful to avoid damaging pipes, the fuel tank, electrical wiring, and the like. This kind of damage could lead to an accident or fire.**



**When installing and grounding the product, do not use any of the bolts or nuts of the steering wheel, brakes, fuel tank, or the like. Doing so could make the brakes stop working or lead to fire.**



Forbidden

**Do not install the product near the passenger-side airbag. Doing so could interfere with the operation of the airbag and lead to an accident or injury.**



Forbidden

**Bundle cords so that they don't interfere with driving. Wrapping cords around the steering wheel, gearshift, brake pedal, or the like, could lead to an accident or damage equipment.**



 **Caution**

**Connect the product properly according to the instructions. Failing to do so could lead to fire or an accident.**



Forbidden

**Do not sandwich cords between the seat railing or allow them to touch protrusions. Resulting breaks or shorts could lead to electric shock or fire.**



**Do not block vents or heat sinks. Doing so could lead to fire or damage equipment.**



**Use the accessories according to the instructions, and attach them securely. Failing to do so could lead to an accident or damage equipment.**



Forbidden

**Do not install the product where it may be exposed to water or in a place with high levels of humidity or dust. Doing so could lead to fire or damage equipment.**




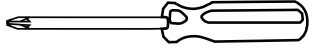
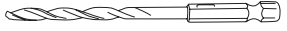
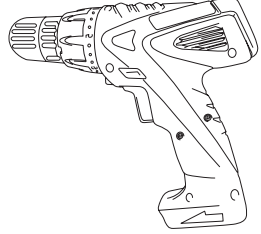
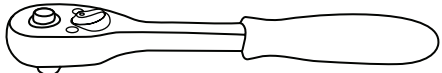
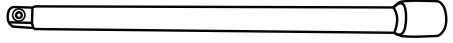


Forbidden

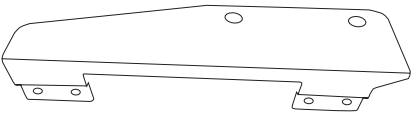
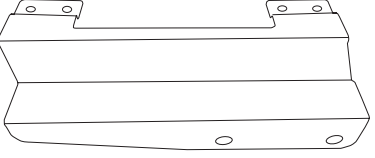



**The installation and wiring of this product requires specialized skills and experience. Have the product installed by an Alpine authorized dealer.**



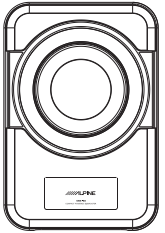
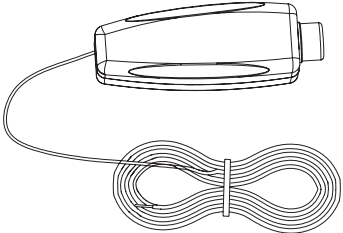

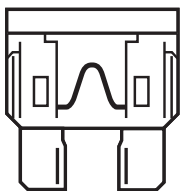
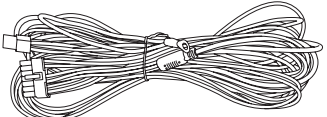
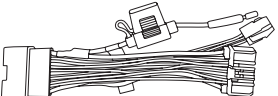
**Tools Required**

<b>Panel Removing Tool</b>	<b>7mm, 10mm, 18mm Socket</b>	<b>#2 Phillips Screwdriver</b>
		
<b>T30, T45 Torx bit</b>	<b>9/32" Drill Bit</b>	<b>Drill</b>
		
<b>Ratchet</b>	<b>Extension</b>	
		

**Accessory List**

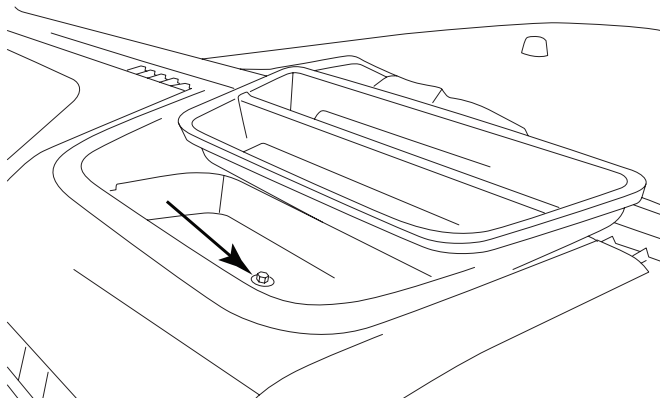
<b>Bracket (A)</b>	<b>Bracket (B)</b>	<b>Cable Ties (x15)</b>
		
<b>M4 Screw set (x8)</b>	<b>M6 screw set (x4)</b>	
		

**Accessory List**

<p><b>PWE-S8</b></p> 	<p><b>Bass Level Control</b></p> 	<p><b>Velcro</b></p> 
<p><b>Spare Fuse ( 15A )</b></p> 	<p><b>PWE-S8-WRA Harness</b></p> 	<p><b>Radio T-Harness</b></p> 

## Factory Unit Disassembly Process

- 1 Remove the rubber cover from the top center storage area and extract (1) 7mm screw.



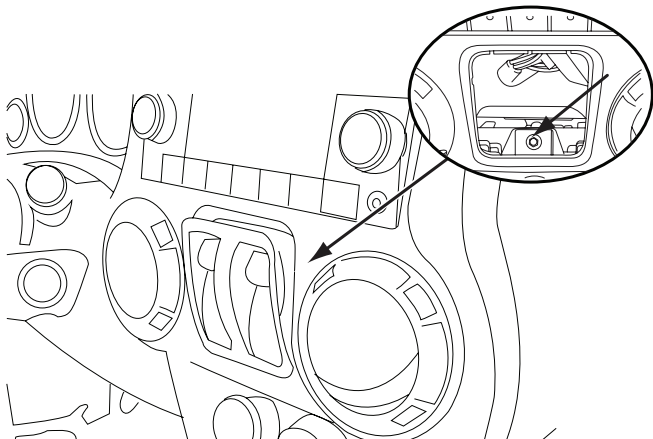
- 2 Remove the knee cover panel and extract (2) 7mm screws located to the right and left sides of the steering wheel column.



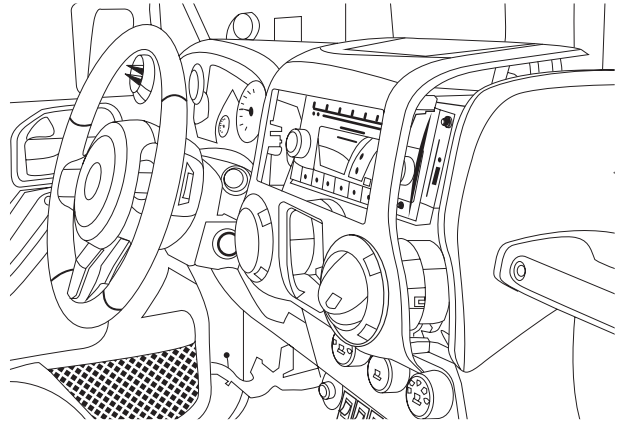
Left side of steering wheel column.

Right side of steering wheel column.

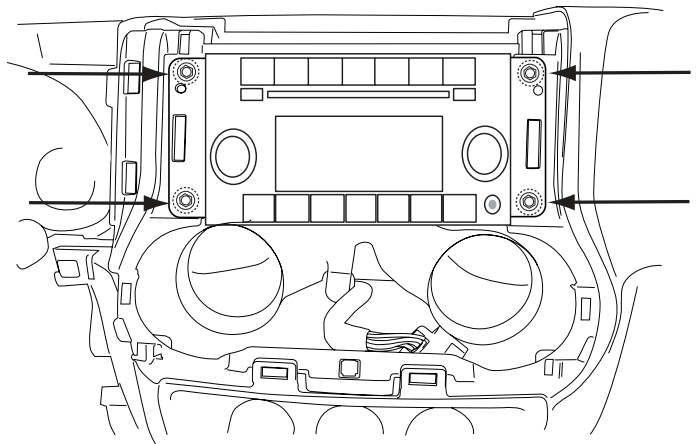
- 3 Remove the window switch pod using a panel removing tool and extract (1) 7mm screw.



- 4 Remove the dash panel.

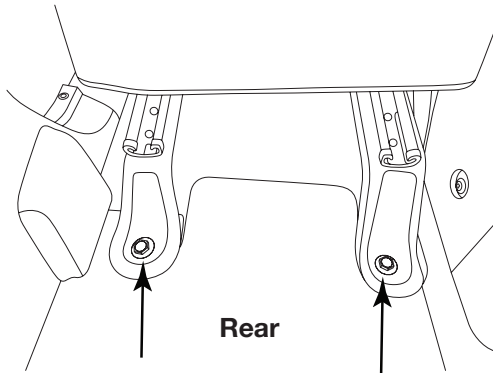
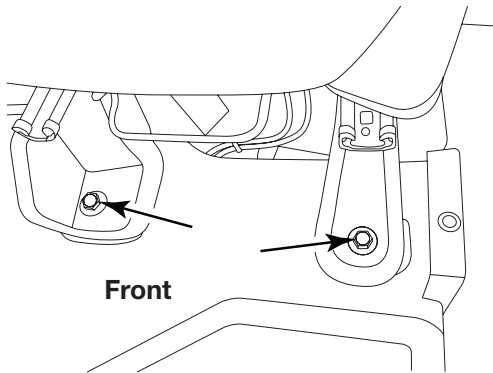


- 5 Extract (4) 7 mm screws and remove the factory radio.

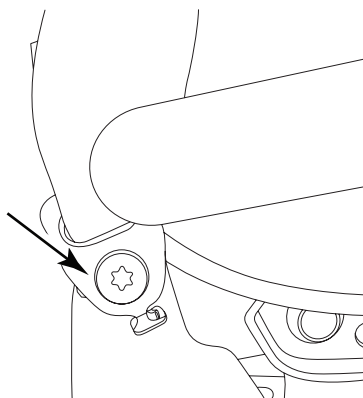


## Drivers Seat Removal

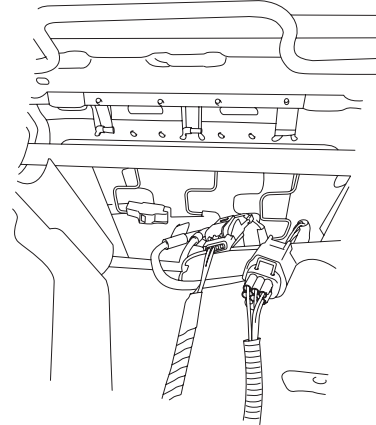
- 1 Using an 18mm socket, extract the 4 seat bolts from the Drivers seat.



- 2 Use a T45 Torx to unbolt the seat belt anchor.

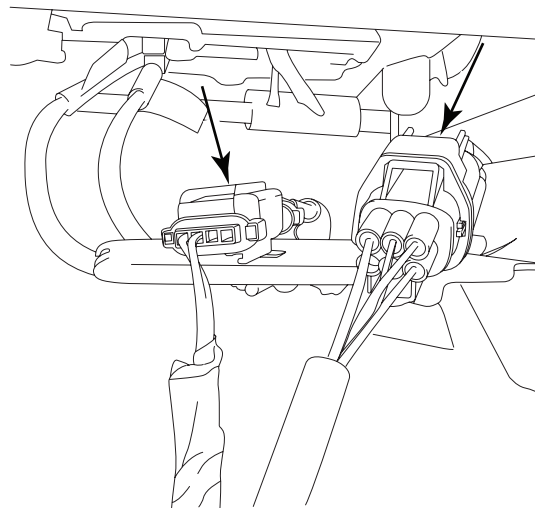


- 3 Tilt the drivers seat backwards to locate the two connectors.



- ⚠ Verify that the negative (-) terminal has been disconnected before continuing.

- 4 Unplug the two connectors carefully.



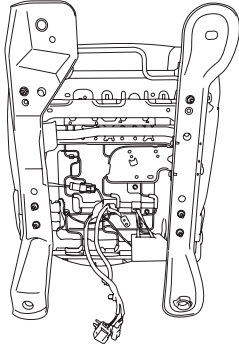
- 5 Remove drivers seat from vehicle.

- ⚠ Use caution when removing the seat

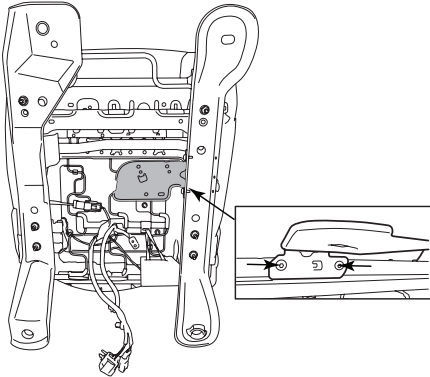
- ⚠ Seat is very heavy

## Installation of the PWE-S8-WRA

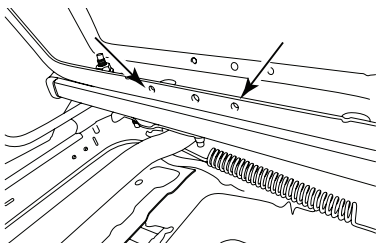
- 1** Position the seat in a secure manner to gain access to the bottom of the seat.



- 2** Using a T30 Torx, remove the OEM harness mounting plate as shown below. Use a panel removal tool to remove the two plugs from the mounting plate.

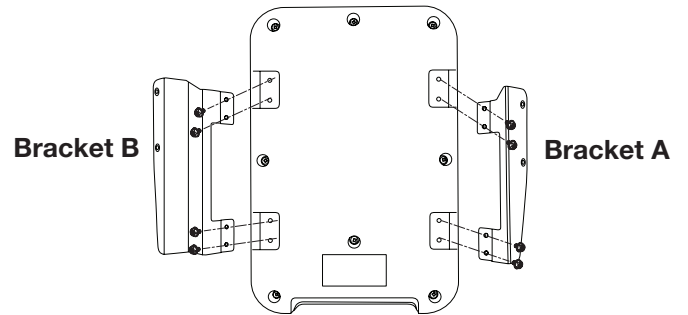


- 3** Use a 9/32" drill bit to enlarge the two outer mounting holes of the OEM harness mounting plate.

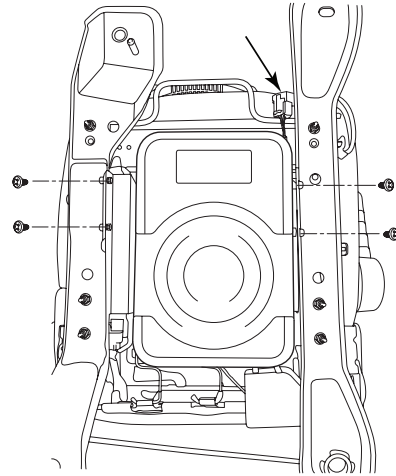


- !** Clean up any metal shavings or debris before continuing.

- 4** Use a #2 Philips screw driver to attach the mounting brackets to the PWE-S8 with the M4 screws.



- 5** Secure the two plugs using cable ties to the right side of the seat as shown below.

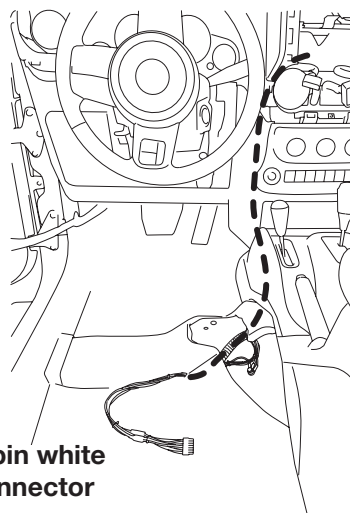


- 6** Align the seat brackets with the PWE-S8 Brackets. Attach the PWE-S8 using the M6 screws and tighten using a 10mm socket as shown above.



## Harness Installation

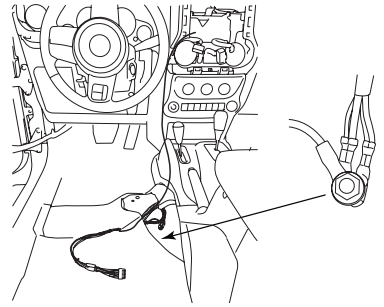
- 1 Route the PWE-S8-WRA harness from the radio cavity as show below.



14 pin white connector

- ⚠ Use caution to avoid any safety devices or moving parts.
- ⚠ Leave enough length in the radio cavity.

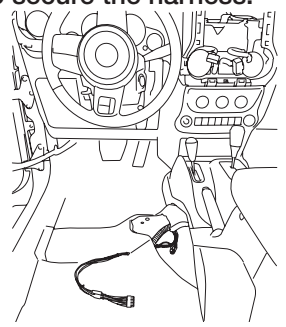
- 2 Connect the ground cable (black) from the PWE-S8-WRA harness to the factory ground location using a 10mm socket.



**To retain aftermarket subwoofer control, installing RCA cables is recommended.**

*\*RCA cables not included*

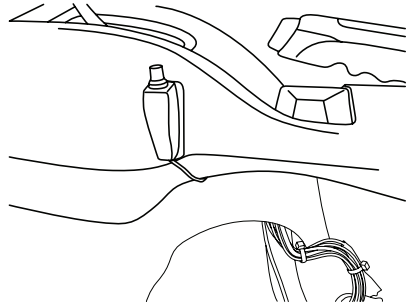
- 3 Route the 14-pin connector under the seat. Use cable ties to secure the harness.



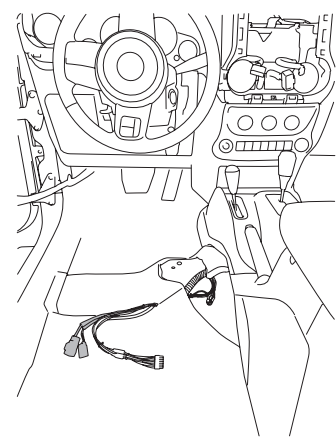
- ⚠ Use caution to avoid any safety devices or moving parts

## Bass Level Control Installation

- 1 Mount the bass level control to an easily accessible location. We recommend mounting the control on the center console as shown below using the Velcro provided.

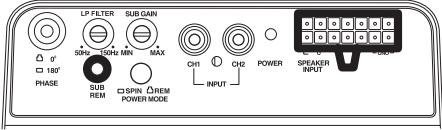


- 2 Route the bass control knob cable along the 14-pin white connector under the seat. Secure the harness with cable ties.

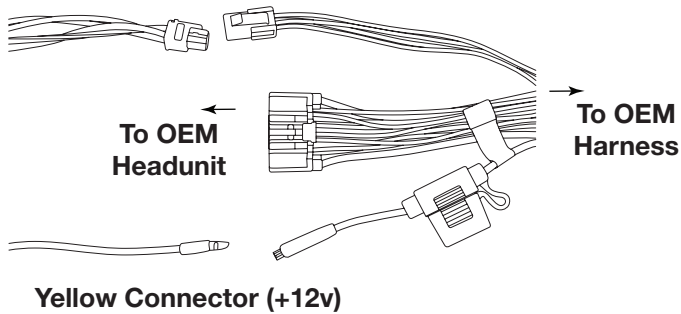


**Re-installing the Seats and radio**

- 1 Reinstall the seat and the seat belt anchor.  
 Front Seat Mounting Bolts 75 Nm / 55 Ft. Lbs  
 Seat Belt Anchor Screw 40 Nm / 30 Ft. Lbs
- 2 Connect the factory plugs to the seat.
- ⚠ Ensure that the connectors are securely fastened.
- 3 Connect the harness and the Sub Rem.



- 4 Connect the T-Harness, Yellow connector, and 4 pin adapter
- 4 pin adapter**



Note: Do not connect the 4-pin harness if RCA cables are used.

- ⚠ Attaching additional electronics to this connector may cause damage to the vehicle or PWE-S8.
- 5 Reinstall Headunit
- 6 Reconnect negative terminal of the battery

**AMP Settings**

Recommended Settings.

