

FOR CAR USE ONLY/NUR FÜR AUTOMOBIL GEBRAUCH/POUR APPLICATION AUTOMOBILE UNIQUEMENT/PARA
USO EN AUTOMÓVILES/SOLO PER L'UTILIZZO IN AUTOMOBILE/ENDAST FÖR BILBRUK/ALLEEN VOOR GEBRUIK
IN DE AUTO/ТОЛЬКО ДЛЯ ИСПОЛЬЗОВАНИЯ В АВТОМОБИЛЯХ/DO UŻYCIA TYLKO W SAMOCHODZIE



EN

FR

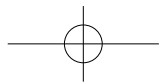
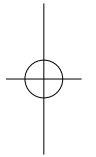
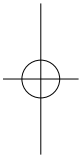
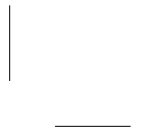
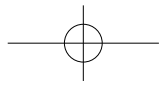
ES

6.5-INCH NAVIGATION / DVD RECEIVER
RÉCEPTEUR DE NAVIGATION / DVD DE 6,5 POUCES
NAVEGADOR DE 6.5 PULGADAS/RECEPTOR DE DVD

INE-W970HD

INSTALLATION MANUAL
GUIDE D'INSTALLATIO
MANUAL DE INSTALACI

04001-00167-2



Contents

WARNING..... 2
CAUTION..... 2
Precautions 2
Accessory List..... 3
Installation 3
 Caution concerning the installation
 location.....3
 Mounting the GPS Antenna inside
 the vehicle.....3
 Mounting the Microphone4
 Installation example using the
 Original Mounting Bracket.....4
 Connections.....5
 If an ACC power supply is not
 available.....8
 System Example9

**WARNING**

This symbol means important instructions. Failure to heed them can result in serious injury or death.

DO NOT DISASSEMBLE OR ALTER.

Doing so may result in an accident, fire or electric shock.

KEEP SMALL OBJECTS SUCH AS SCREWS OUT OF THE REACH OF CHILDREN.

Swallowing them may result in serious injury. If swallowed, consult a physician immediately.

USE THE CORRECT AMPERE RATING WHEN REPLACING FUSES.

Failure to do so may result in fire or electric shock.

DO NOT BLOCK VENTS OR RADIATOR PANELS.

Doing so may cause heat to build up inside and may result in fire.

USE THIS PRODUCT FOR MOBILE 12V APPLICATIONS.

Use for other than its designed application may result in fire, electric shock or other injury.

MAKE THE CORRECT CONNECTIONS.

Failure to make the proper connections may result in fire or product damage.

USE ONLY IN CARS WITH A 12 VOLT NEGATIVE GROUND.

(Check with your dealer if you are not sure.) Failure to do so may result in fire, etc.

BEFORE WIRING, DISCONNECT THE CABLE FROM THE NEGATIVE BATTERY TERMINAL.

Failure to do so may result in electric shock or injury due to electrical shorts.

DO NOT ALLOW CABLES TO BECOME ENTANGLED IN SURROUNDING OBJECTS.

Arrange wiring and cables in compliance with the manual to prevent obstructions when driving. Cables or wiring that obstruct or hang up on places such as the steering wheel, gear lever, brake pedals, etc. can be extremely hazardous.

DO NOT SPLICE INTO ELECTRICAL CABLES.

Never cut away cable insulation to supply power to other equipment. Doing so will exceed the current carrying capacity of the wire and result in fire or electric shock.

DO NOT DAMAGE PIPE OR WIRING WHEN DRILLING HOLES.

When drilling holes in the chassis for installation, take precautions so as not to contact, damage or obstruct pipes, fuel lines, tanks or electrical wiring. Failure to take such precautions may result in fire.

DO NOT USE BOLTS OR NUTS IN THE BRAKE OR STEERING SYSTEMS TO MAKE GROUND CONNECTIONS.

Bolts or nuts used for the brake or steering systems (or any other safety-related system), or tanks should NEVER be used for installations or ground connections. Using such parts could disable control of the vehicle and cause fire etc.

DO NOT INSTALL IN LOCATIONS WHICH MIGHT HINDER VEHICLE OPERATION, SUCH AS THE STEERING WHEEL OR GEARSHIFT.

Doing so may obstruct forward vision or hamper movement etc. and results in serious accident.

DO NOT INSTALL THE MONITOR NEAR THE PASSENGER SEAT AIR BAG.

If the unit is not installed correctly the air bag may not function correctly and when triggered the air bag may cause the monitor to spring upwards causing an accident and injuries.

**CAUTION**

This symbol means important instructions. Failure to heed them can result in injury or material property damage.

HAVE THE WIRING AND INSTALLATION DONE BY EXPERTS.

The wiring and installation of this unit requires special technical skill and experience. To ensure safety, always contact the dealer where you purchased this product to have the work done.

USE SPECIFIED ACCESSORY PARTS AND INSTALL THEM SECURELY.

Be sure to use only the specified accessory parts. Use of other than designated parts may damage this unit internally or may not securely install the unit in place. This may cause parts to become loose resulting in hazards or product failure.

ARRANGE THE WIRING SO IT IS NOT CRIMPED OR PINCHED BY A SHARP METAL EDGE.

Route the cables and wiring away from moving parts (like the seat rails) or sharp or pointed edges. This will prevent crimping and damage to the wiring. If wiring passes through a hole in metal, use a rubber grommet to prevent the wire's insulation from being cut by the metal edge of the hole.

DO NOT INSTALL IN LOCATIONS WITH HIGH MOISTURE OR DUST.

Avoid installing the unit in locations with high incidence of moisture or dust. Moisture or dust that penetrates into this unit may result in product failure.

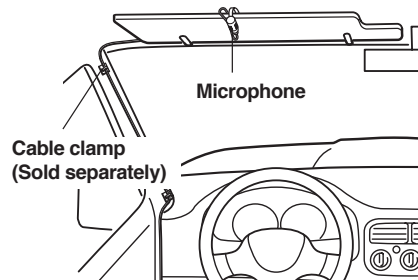
2-EN

Mounting the Microphone

For safe use, make sure of the following:

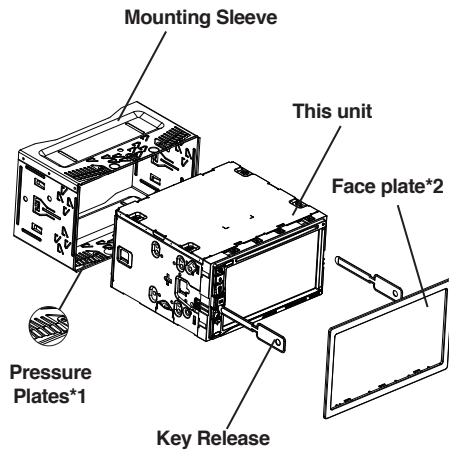
- Location is stable and firm.
- Driver's view and operations are not obstructed.
- Microphone is located where the driver's voice can be easily picked up (for example, on the sun visor).

When you speak into the microphone, you should not have to change your driving posture. This may cause a distraction, taking your attention away from safely driving your vehicle. Carefully consider direction and distance while mounting the microphone. Confirm that the driver's voice can be easily picked up at the selected location.



Install the Mounting Sleeve

Slide the unit into the mounting sleeve and secure it.

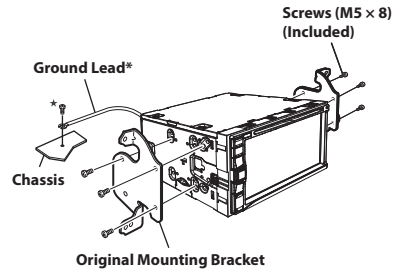


*1 If the installed mounting sleeve is loose in the dashboard, the pressure plates may be bent slightly to remedy the problem.

*2 The supplied face plate may be mounted.

Installation example using the Original Mounting Bracket

- 1 Mount the original mounting brackets to the unit using the supplied screws.



- 2 Connect all other leads of the unit according to details described in the "Connections" (page 5).

- 3 Mounting the unit in a car.

- Fix the cables carefully. Do not damage them by tucking them into movable parts, such as a seat rail, or by locating them against sharp or pointed edges.

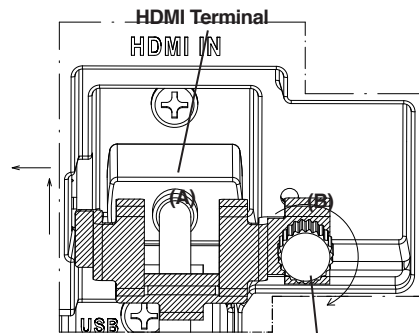
Note on using HDMI Connection Cables

When using HDMI connection cables, secure the cables to the HDMI Terminals with the HDMI Fixation Bracket(KCU-610HD).

*The HDMI bracket is not included.

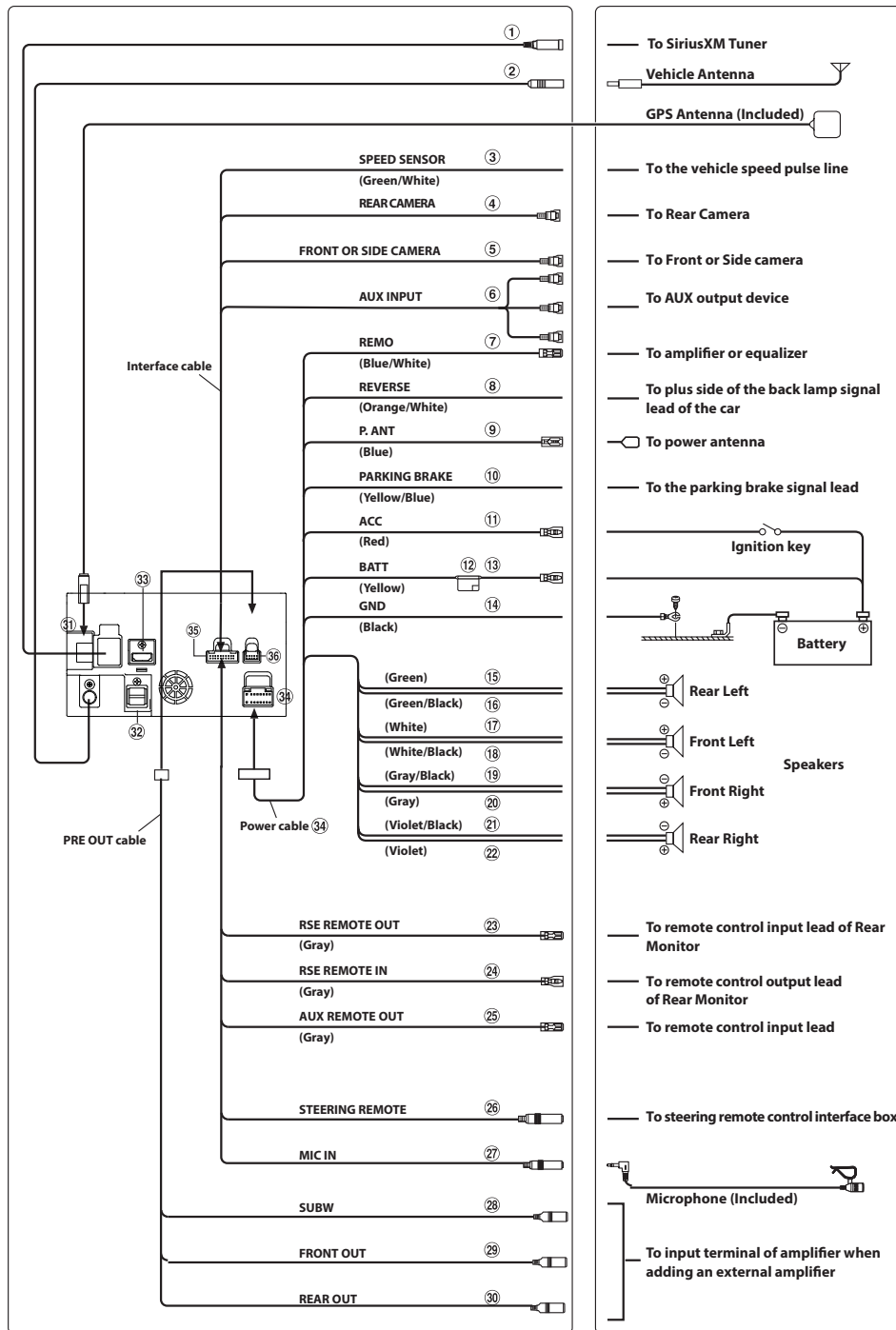
- 1 Slide the HDMI Fixation Bracket into the grooves (A).

- 2 Secure it with the screw (B).



HDMI Fixation Bracket
Sold Separately
(KCU-610HD)

4-EN



① **SiriusXM Tuner Input Connector**

To SiriusXM Tuner.

② **Radio Antenna Receptacle**

③ **Speed Sensor Lead (Green/White)**

Improper connection of the speed pulse line may cause important safety features of the vehicle to fail (such as the brakes or air bags). Such failures may result in an accident and loss of life. We strongly recommend that the installation be performed by a trained, authorized Alpine dealer.

④ **Rear Camera Input Connector (RCA)**

⑤ **Front or Side Camera Input Connector (RCA)**

⑥ **AUX Input Connector**

Input lead for AUX video/audio signal.

⑦ **Remote Turn-On Lead (Blue/White)**

Connect this lead to the remote turn-on lead of your amplifier or signal processor.

⑧ **Reverse Lead (Orange/White)**

Connect to the plus side of the car's reverse lights. These lights illuminate when the transmission is shifted into reverse (R).

With this lead properly wired, the video picture automatically switches to the rear camera whenever the car is put into reverse (R).

⑨ **Power Antenna Lead (Blue)**

Connect this lead to the +B terminal of your power antenna, if applicable.

• *This lead should be used only for controlling the vehicle's power antenna. Do not use this lead to turn on an amplifier or a signal processor, etc.*

⑩ **Parking Brake Lead (Yellow/Blue)**

Connect this lead to the power supply side of parking brake switch to transmit the parking brake status signals to the unit.

⑪ **Switched Power Lead (Ignition) (Red)**

Connect this lead to an open terminal on the vehicle's fuse box or another unused power source that provides (+) 12V only when the ignition is turned on or in the accessory position.

⑫ **Fuse Holder (15A)**

⑬ **Battery Lead (Yellow)**

Connect this lead to the positive (+) post of the vehicle's battery.

⑭ **Ground Lead (Black)**

Connect this lead to a good chassis ground on the vehicle. Make sure the connection is made to bare metal and is securely fastened using the sheet metal screw provided.

⑮ **Left Rear (+) Speaker Output Lead (Green)**

⑯ **Left Rear (-) Speaker Output Lead (Green/Black)**

⑰ **Left Front (+) Speaker Output Lead (White)**

⑱ **Left Front (-) Speaker Output Lead (White/Black)**

⑲ **Right Front (-) Speaker Output Lead (Gray/Black)**

⑳ **Right Front (+) Speaker Output Lead (Gray)**

㉑ **Right Rear (-) Speaker Output Lead (Violet/Black)**

㉒ **Right Rear (+) Speaker Output Lead (Violet)**

㉓ **Remote Control Output Lead (Gray) (For Rear Monitor)**

Connect this lead to the remote control input lead. This lead outputs the controlling signals from the remote control.

㉔ **Remote Control Input Lead (Gray)**

Connect the external Alpine product to the remote control output lead.

⑫ **Remote Control Output Lead (Gray)**

Connect this lead to the remote control input lead. This lead outputs the controlling signals from the remote control.

⑬ **Steering Remote Control Interface Connector**

To steering remote control interface box.
For details about connections, consult your nearest Alpine dealer.

⑭ **MIC Input Connector**

To microphone (Included)

⑮ **Subwoofer RCA Connectors**

RED is right and WHITE is left.

⑯ **Front Output RCA Connectors**

Can be used as Front Output RCA Connectors. RED is right and WHITE is left.

⑰ **Rear Output RCA Connectors**

Can be used as Rear Output RCA Connectors. RED is right and WHITE is left.

⑱ **GPS Antenna Receptacle**

Connect to GPS antenna (Included).

㉑ **USB Connectors**

The bottom USB connector is for CarPlay and Android Auto.

㉒ **HDMI Input Connector**

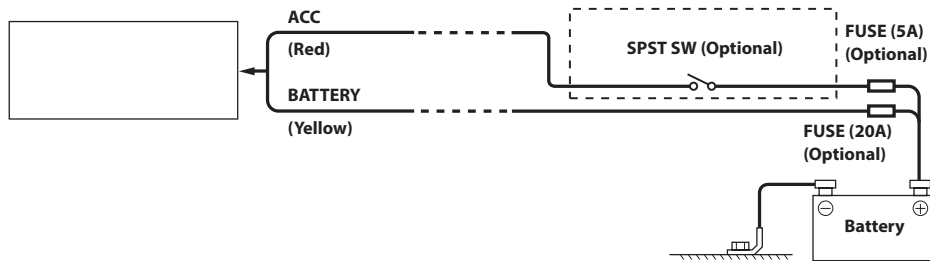
㉓ **Power Supply Connector**

㉔ **Interface / W. Remote connector**

㉕ **PRE OUT Connector**

If an ACC power supply is not available

Connection Diagram of SPST Switch (sold separately)



- If your vehicle has no ACC power supply, add an SPST (single-pole, single-throw) switch (sold separately) and fuse (sold separately).
- The diagram and the fuse amperage shown above are in the case when the unit is used individually.
- If the switched power (ignition) lead of the unit is connected directly to the positive (+) post of the vehicle's battery, the unit draws some current (several hundred milliamperes) even when its switch is placed in the OFF position, and the battery may be discharged.

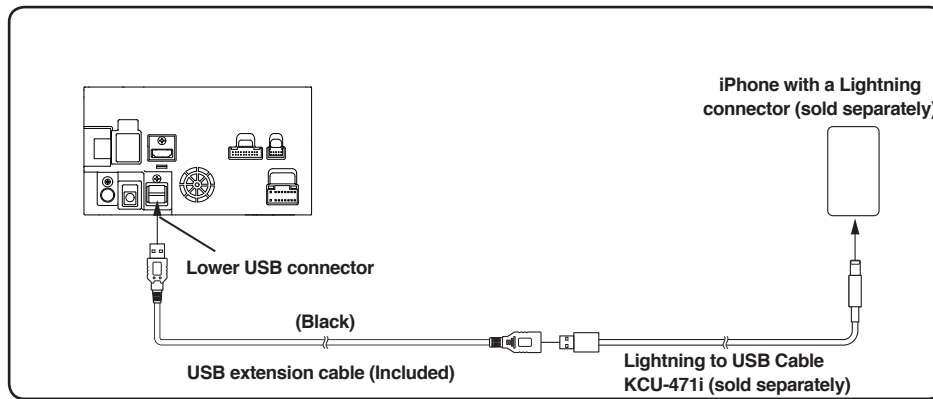
To prevent external noise from entering the audio system.

- Locate the unit and route the leads at least 10 cm away from the car harness.
- Keep the battery power leads as far away from other leads as possible.
- Connect the ground lead securely to a bare metal spot (remove any paint, dirt or grease if necessary) of the car chassis.
- If you add an optional noise suppressor, connect it as far away from the unit as possible. Your Alpine dealer carries various noise suppressors, contact them for further information.
- Your Alpine dealer knows best about noise prevention measures so consult your dealer for further information.

8-EN

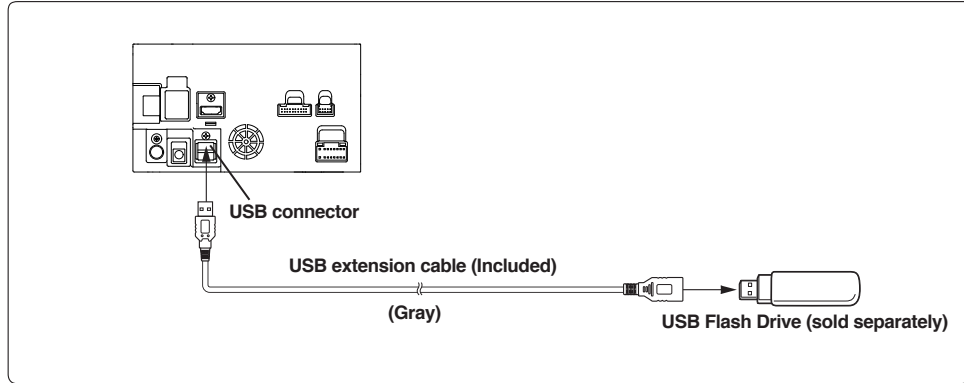
System Example

Connection of an iPhone



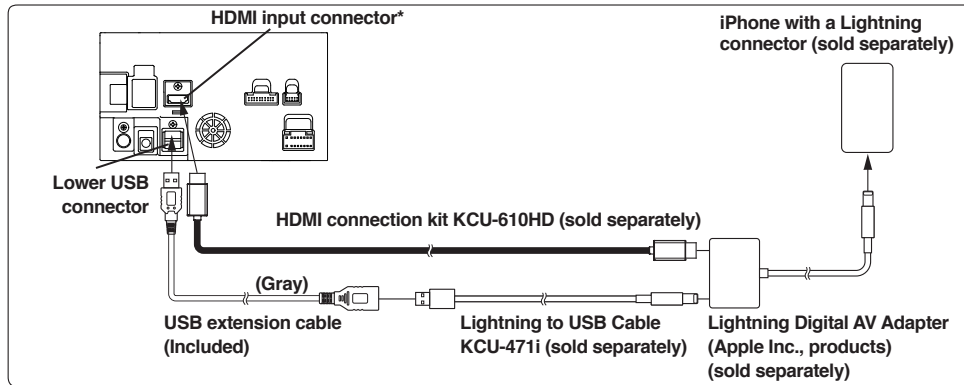
- Do not leave an iPhone in a vehicle for a long time. Heat and humidity may damage the iPhone, and you may not be able to play it again.

Connection of a Flash Drive



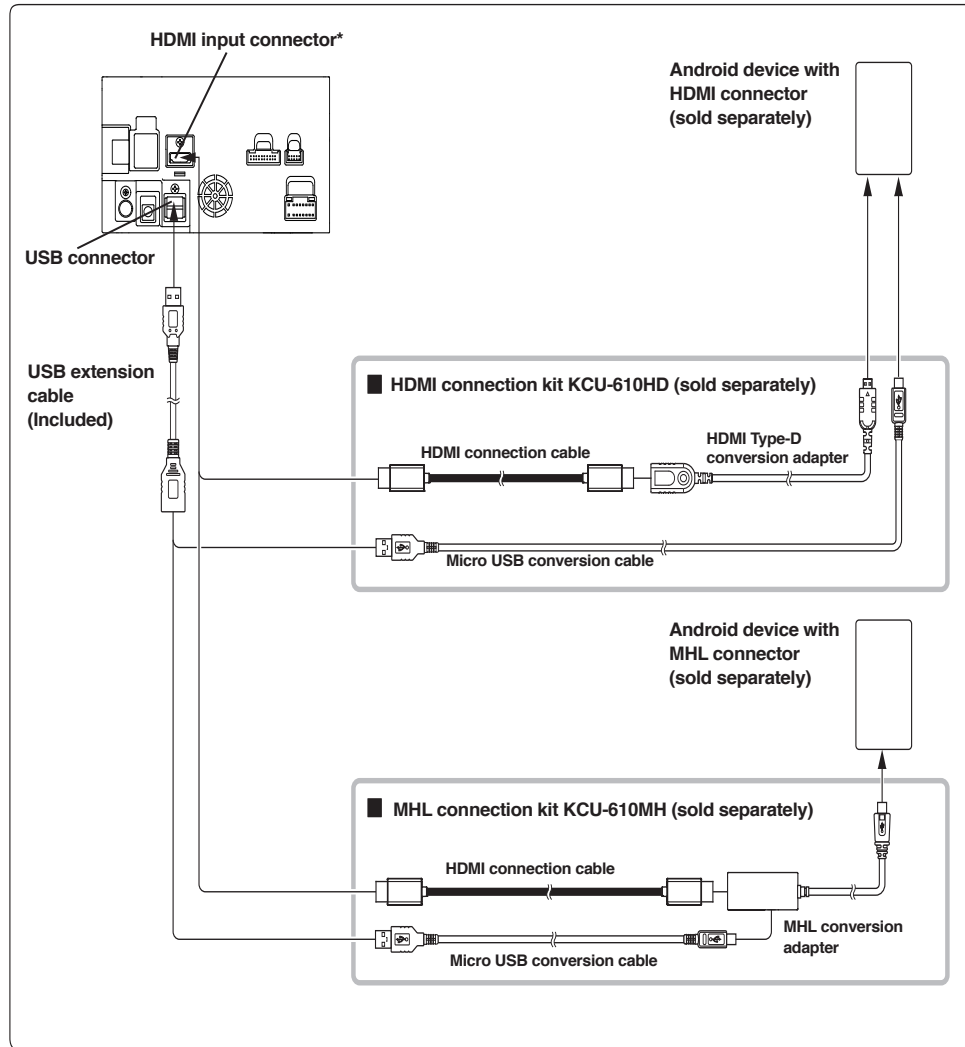
- Do not leave a flash drive in a vehicle for a long time. Heat and humidity may damage the flash drive.

Connection of an HDMI Device (iPhone)



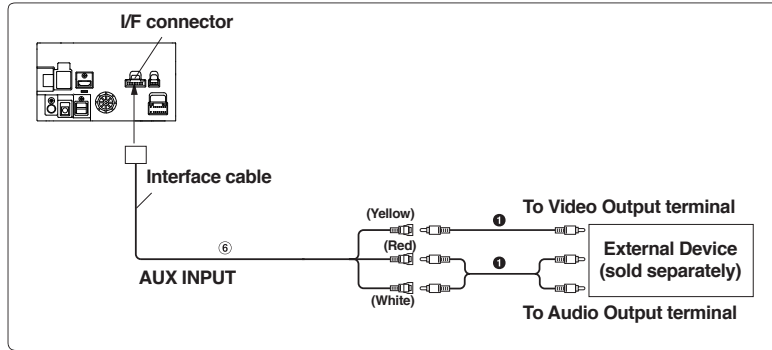
- When connecting an HDMI connection cable, be sure to secure it using the HDMI Fixation Bracket(KCU-610HD). For details on how to secure it, see "Note on using HDMI Connection Cables" (page 4) .
- Set the HDMI Setup to "HDMI." For details, refer to "HDMI Setup" in the OWNER'S MANUAL.
- The HDMI bracket is not included.

Connection of an HDMI Device (Android device)



- A connection kit or adapter kit suitable for the type of terminal on the connecting device is required.
- Set the HDMI Setup to "HDMI." For details, refer to "HDMI Setup" in the OWNER'S MANUAL.
- * When connecting an HDMI connection cable, be sure to secure it using the HDMI Fixation Bracket (KCU-610HD/ KCD-610MH). For details on how to secure it, see "Note on using HDMI Connection Cables" (page 4).

Connection of an External Device



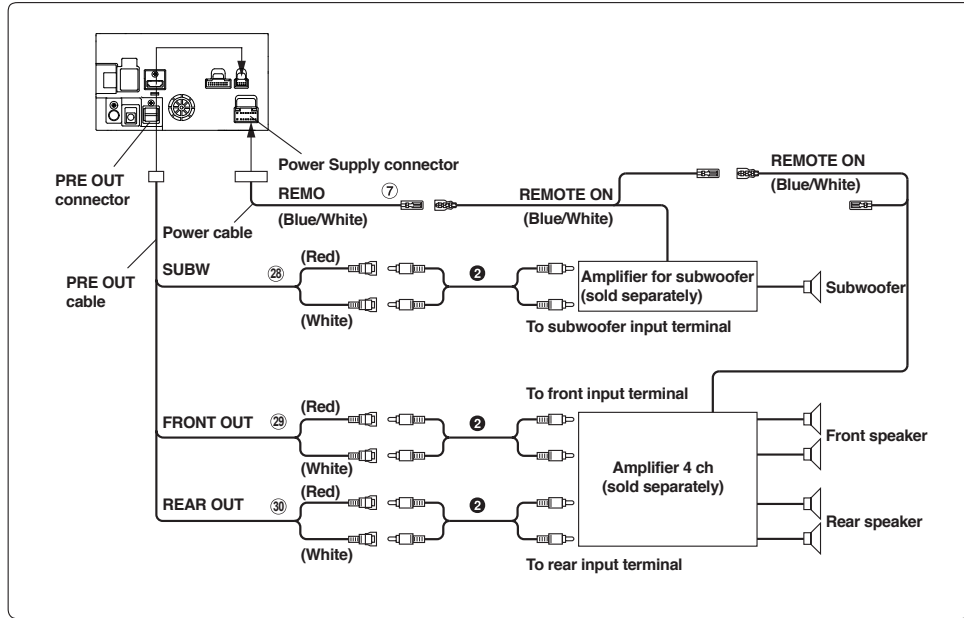
⑥ AUX Input Connector

❶ RCA Extension Cable (sold separately)

㉓ Remote Control Output Lead (Gray)

- You can change the name of an external device. For details, refer to "Setting the Auxiliary (AUX) Name" in the OWNER'S MANUAL.

Connection of an External Amplifier



⑦ Remote Turn-On Lead (Blue/White)

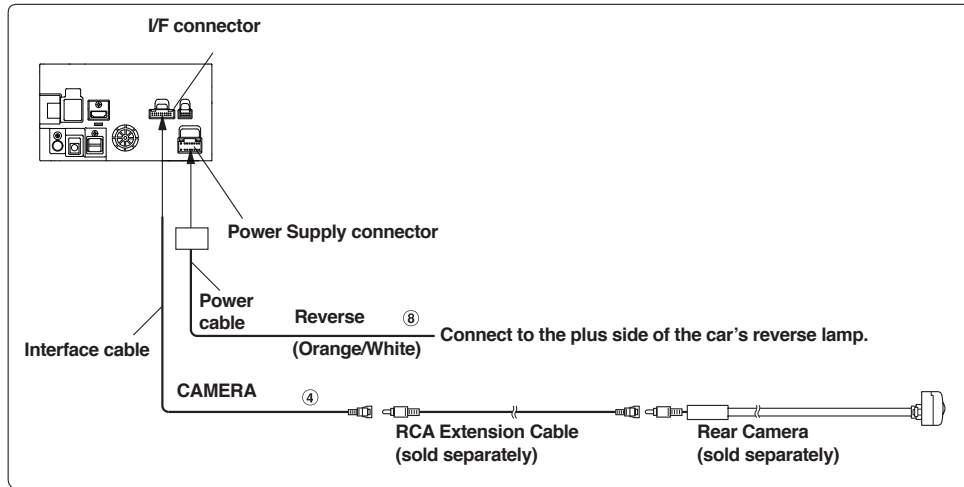
② RCA Extension Cable (sold separately)

②⑧ Subwoofer RCA Connectors

②⑨ Front Output RCA Connectors

③⑩ Rear Output RCA Connectors

Connection of a Rearview camera

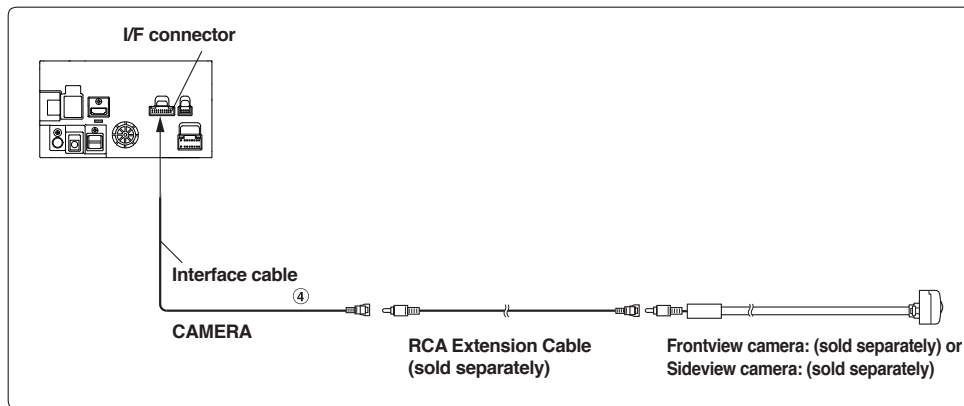


④ CAMERA Input Connector

⑧ Reverse Lead (Orange/White)

• Set the Camera Select to "Rear." For details, refer to "Setting the Camera Input" in the OWNER'S MANUAL.

Connection of a Frontview or Sideview camera



④ CAMERA Input Connector