

Automotive system booklet

A variety of automotive electrical systems - Rev 02

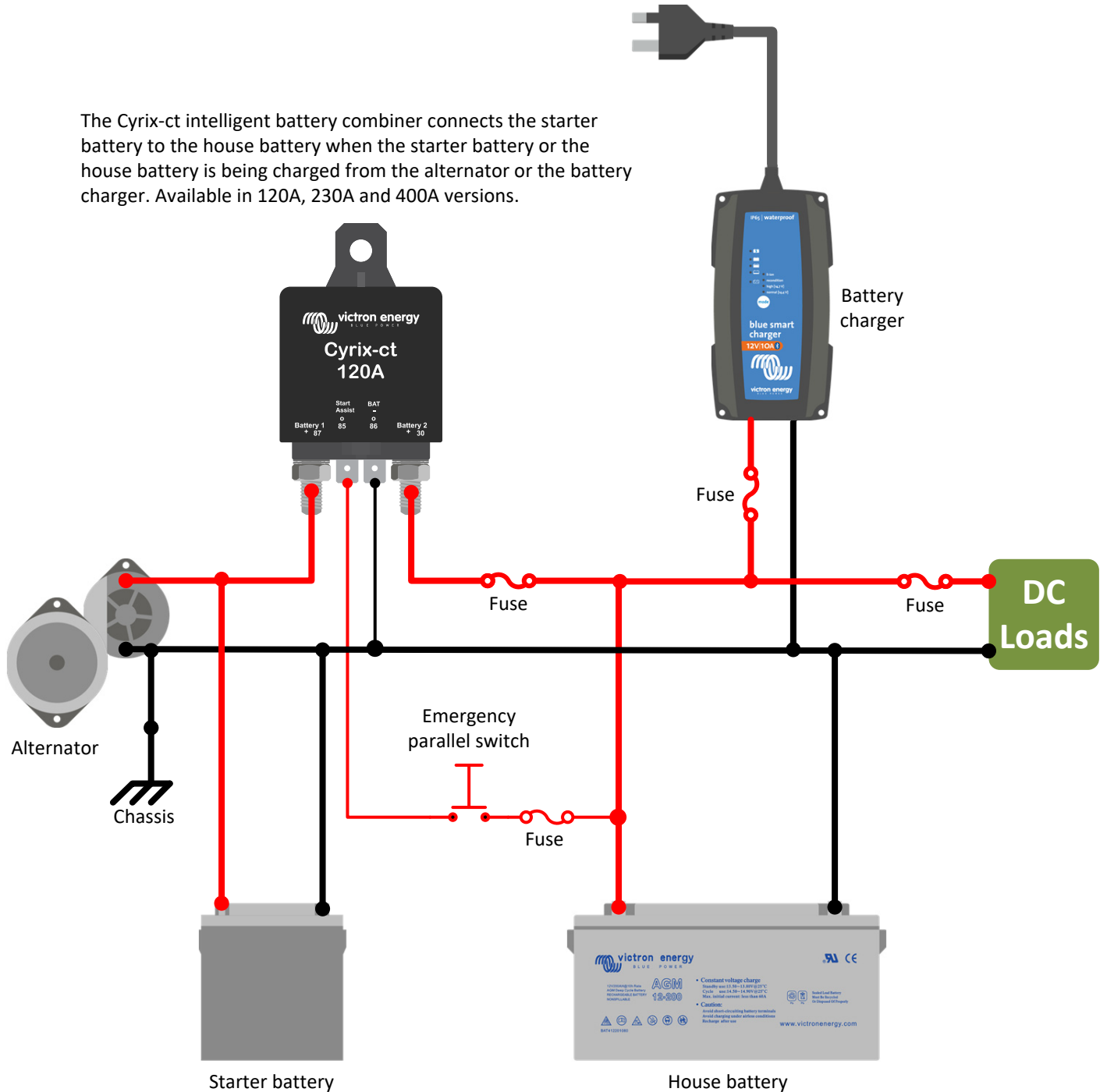


victron energy
BLUE POWER

Automotive system

Dual battery system with intelligent voltage sensitive relay

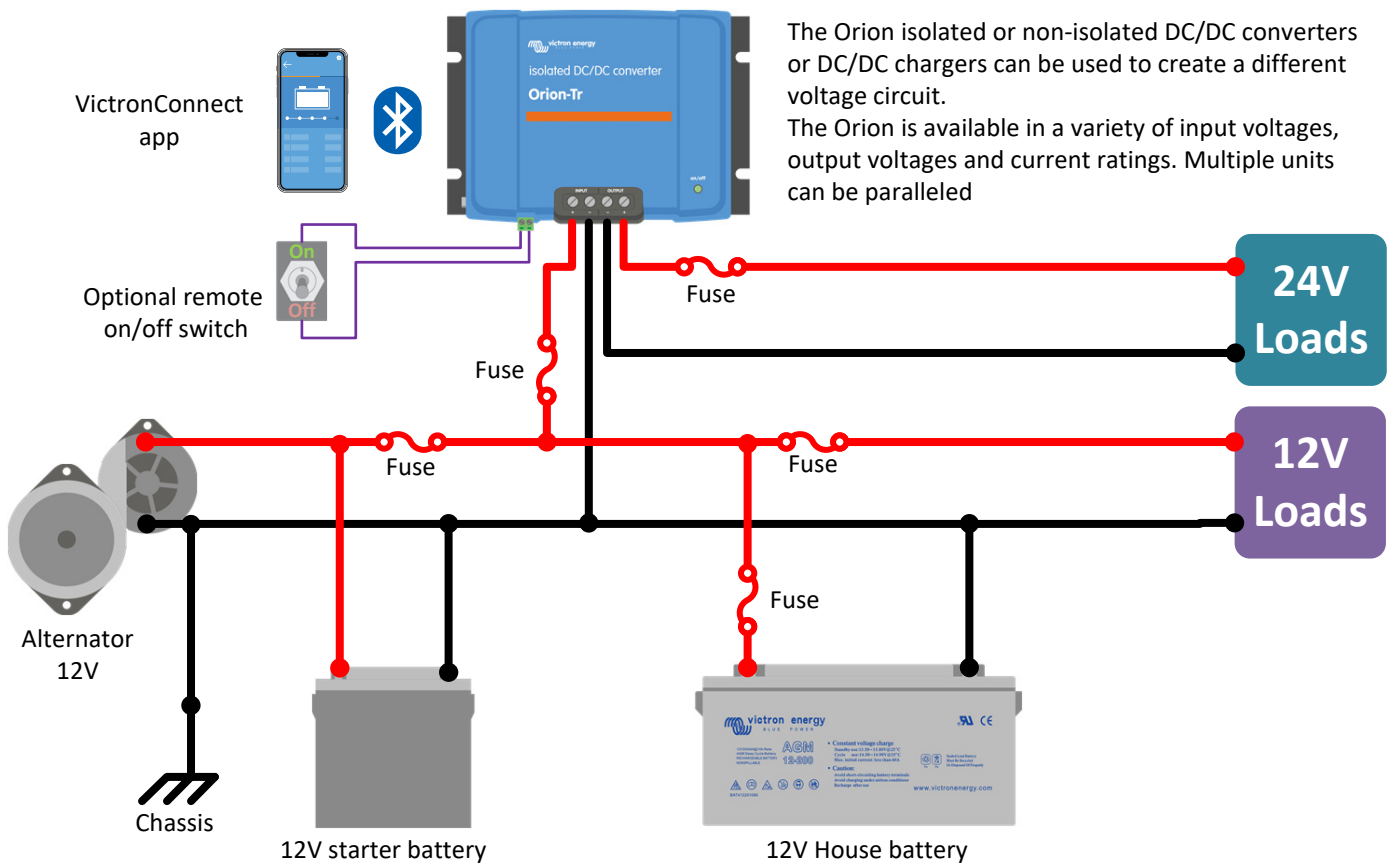
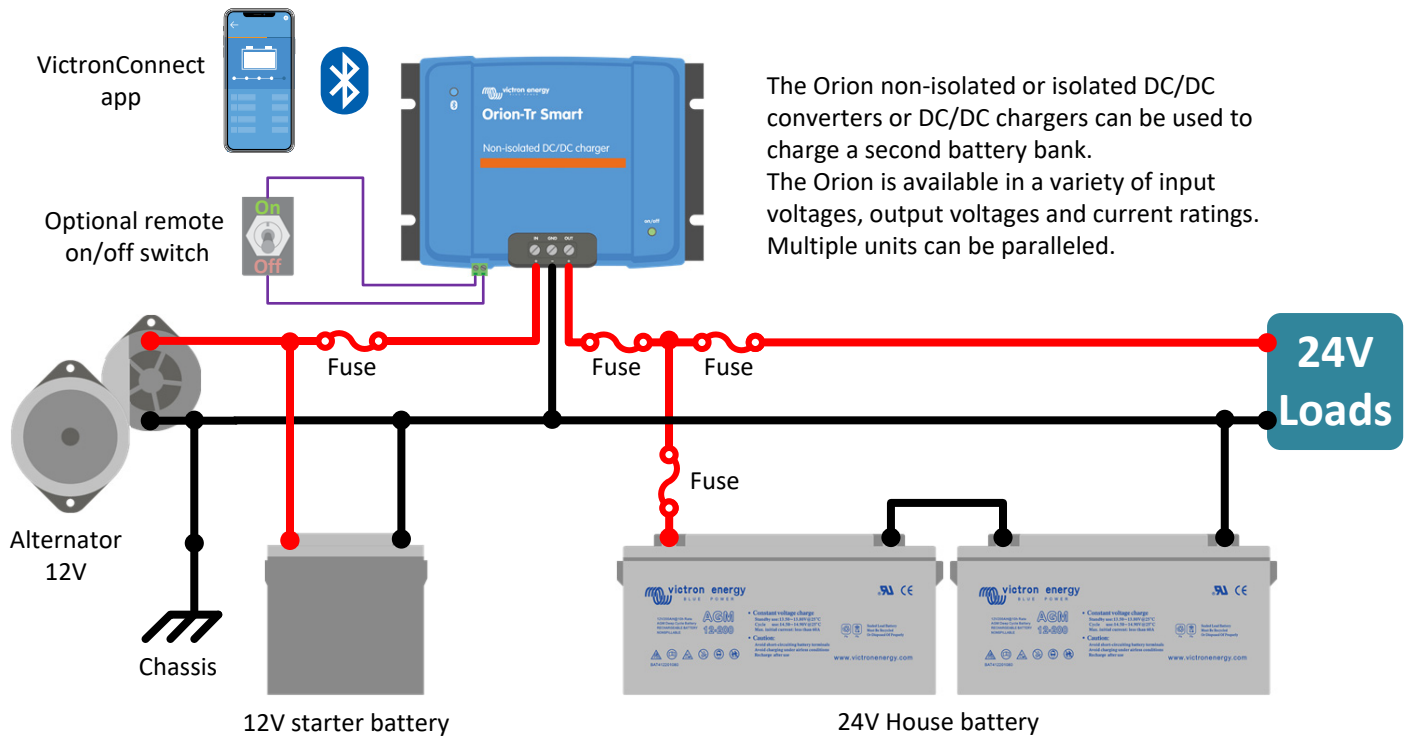
The Cyrix-ct intelligent battery combiner connects the starter battery to the house battery when the starter battery or the house battery is being charged from the alternator or the battery charger. Available in 120A, 230A and 400A versions.



victron energy
BLUE POWER

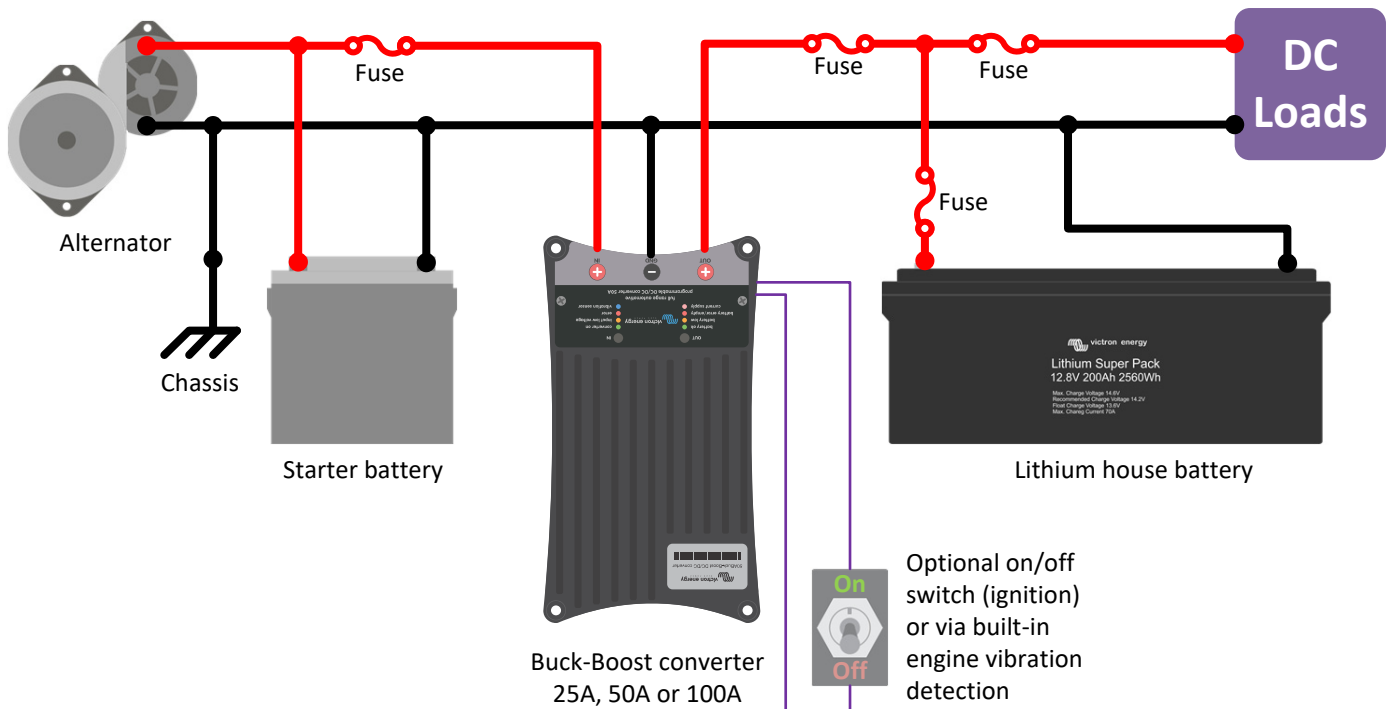
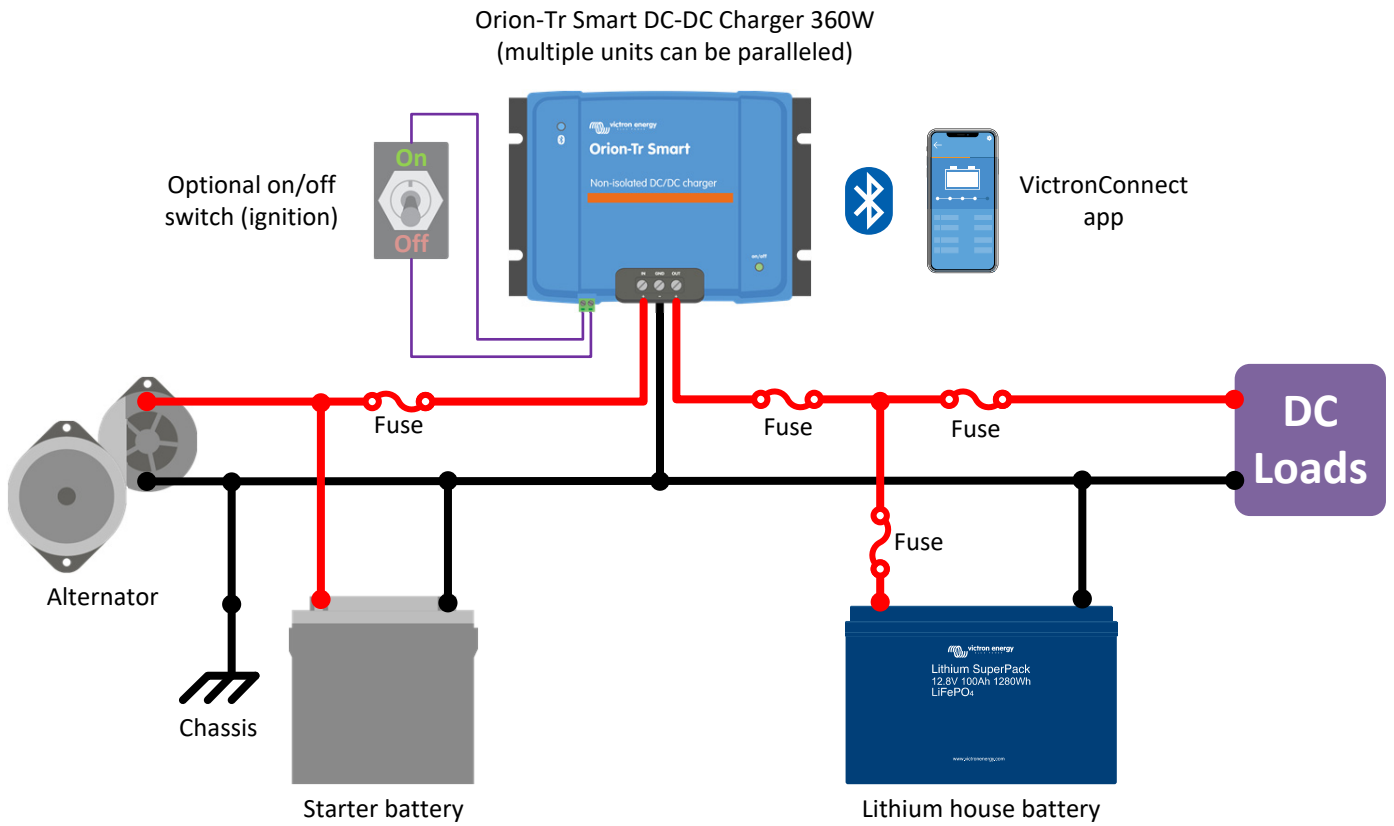
Automotive system

Dual battery systems with DC to DC charging and/or voltage conversion



Automotive system

Dual battery systems with a lithium house battery

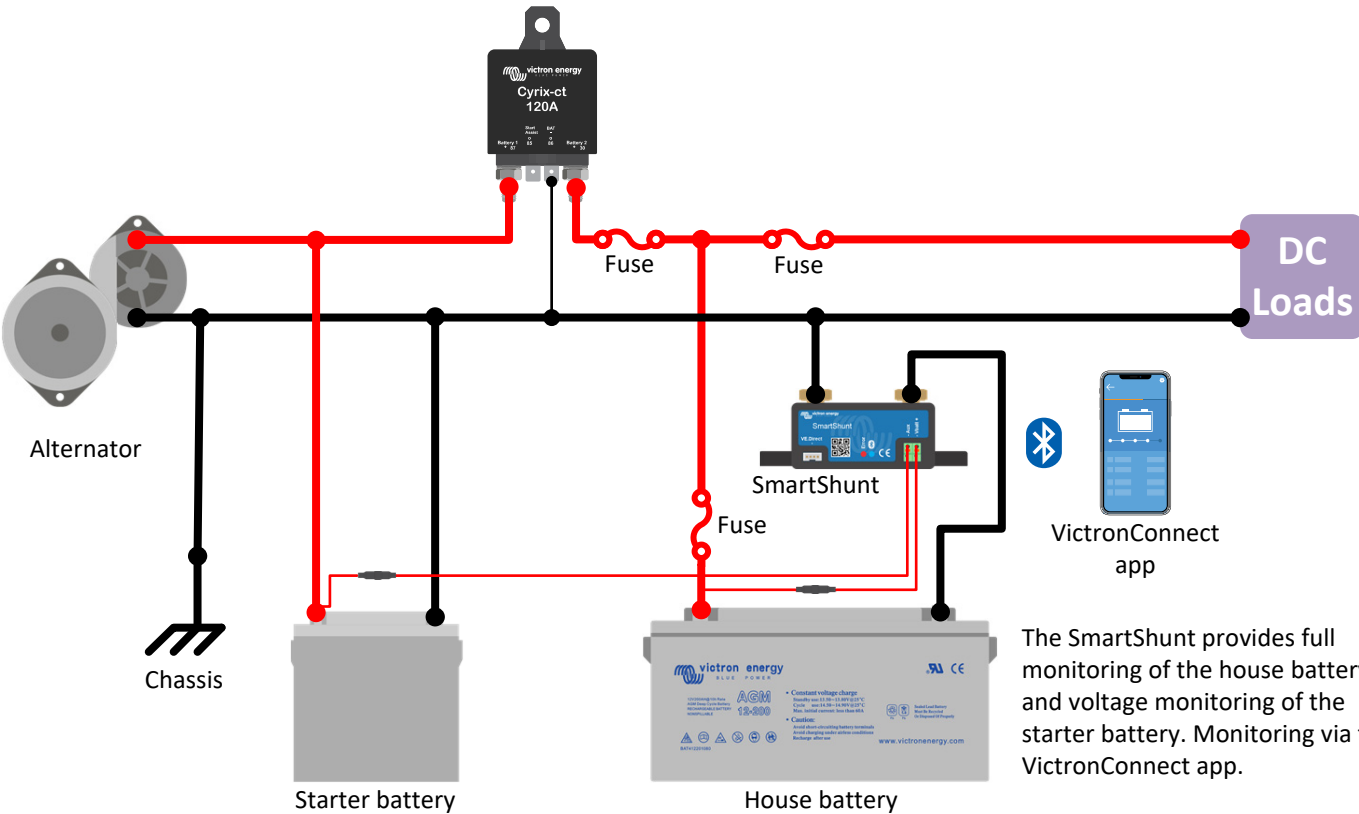
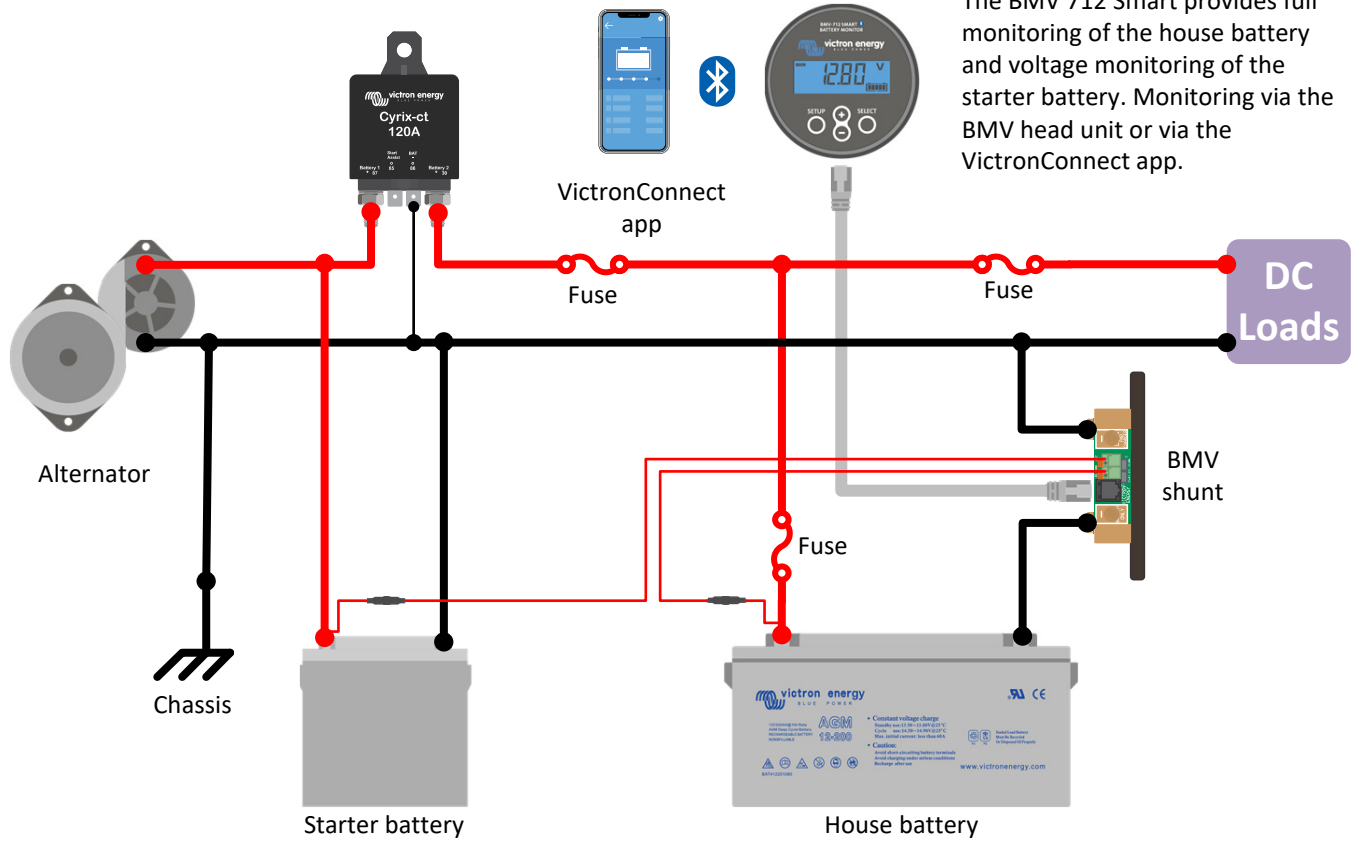


victron energy
BLUE POWER

Automotive system

Battery monitoring

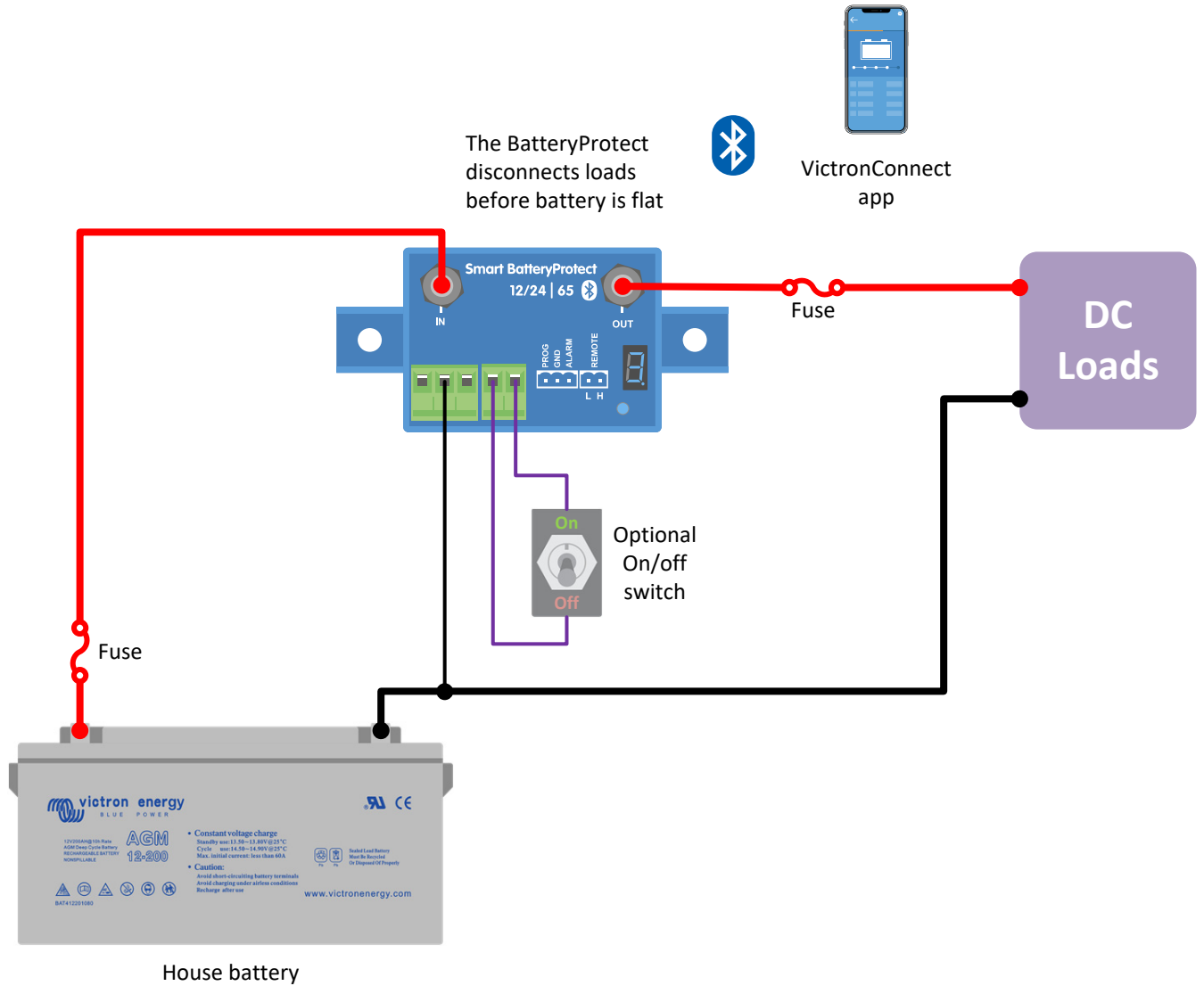
The BMV 712 Smart provides full monitoring of the house battery and voltage monitoring of the starter battery. Monitoring via the BMV head unit or via the VictronConnect app.



The SmartShunt provides full monitoring of the house battery and voltage monitoring of the starter battery. Monitoring via the VictronConnect app.

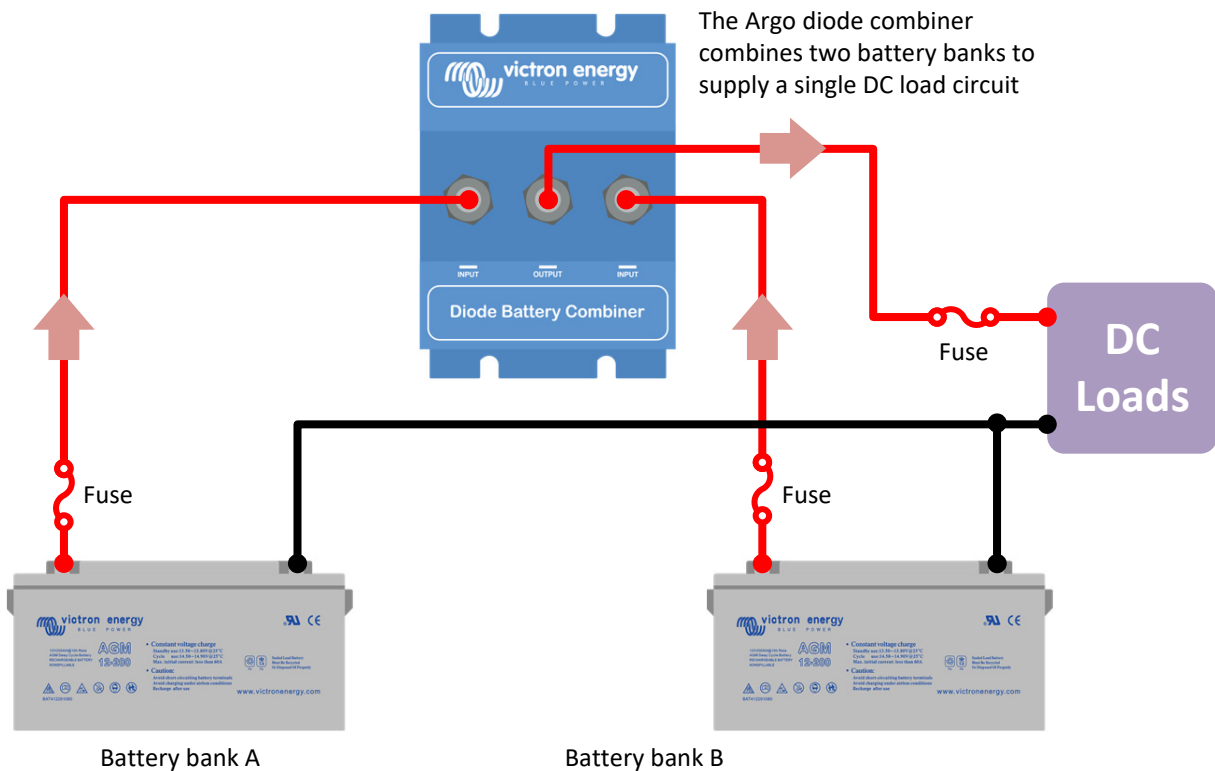
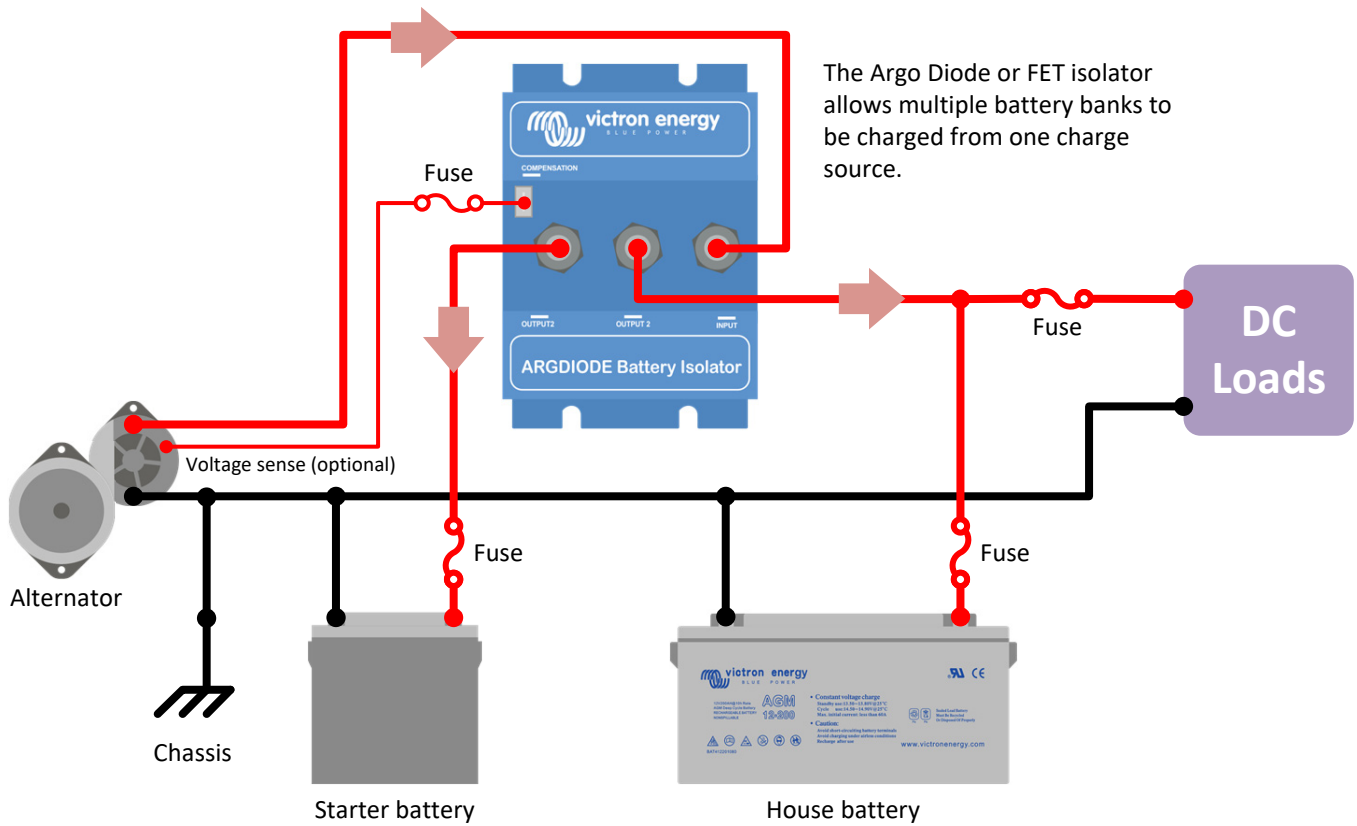
Automotive system

BatteryProtect for 12, 24 or 48V systems



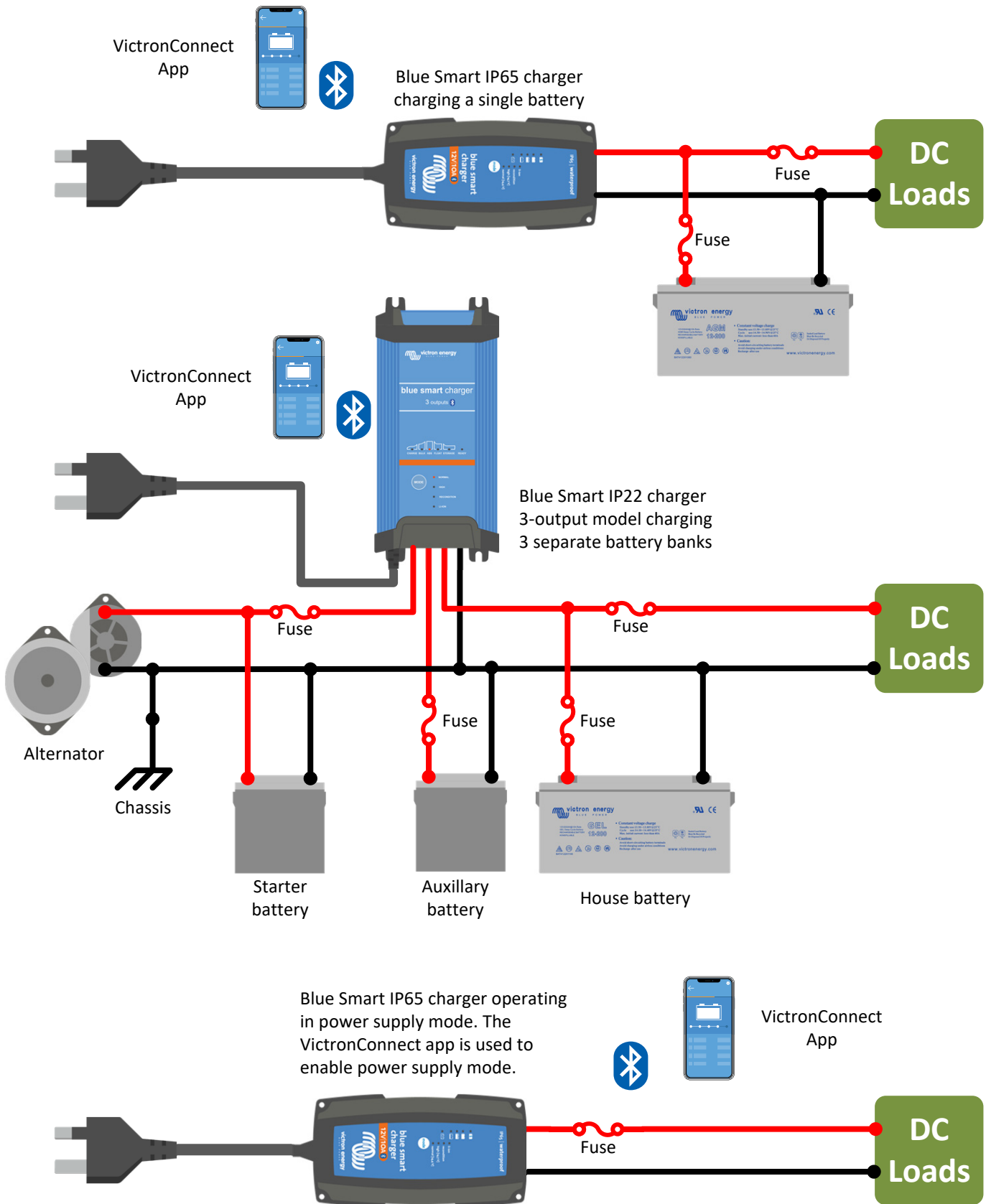
Automotive system

Battery isolators and battery combiners



Automotive system

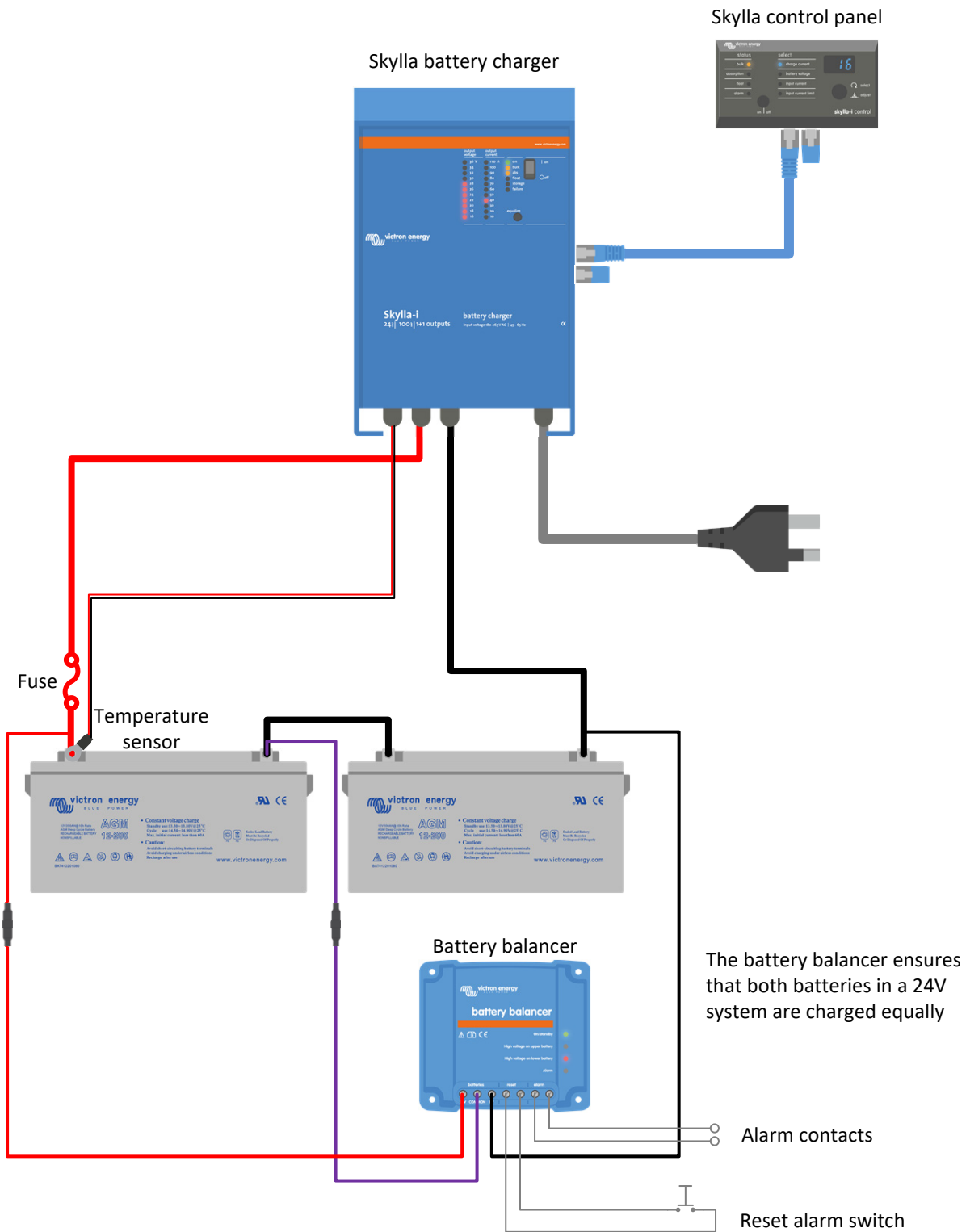
Battery charging or DC power supply



victron energy
BLUE POWER

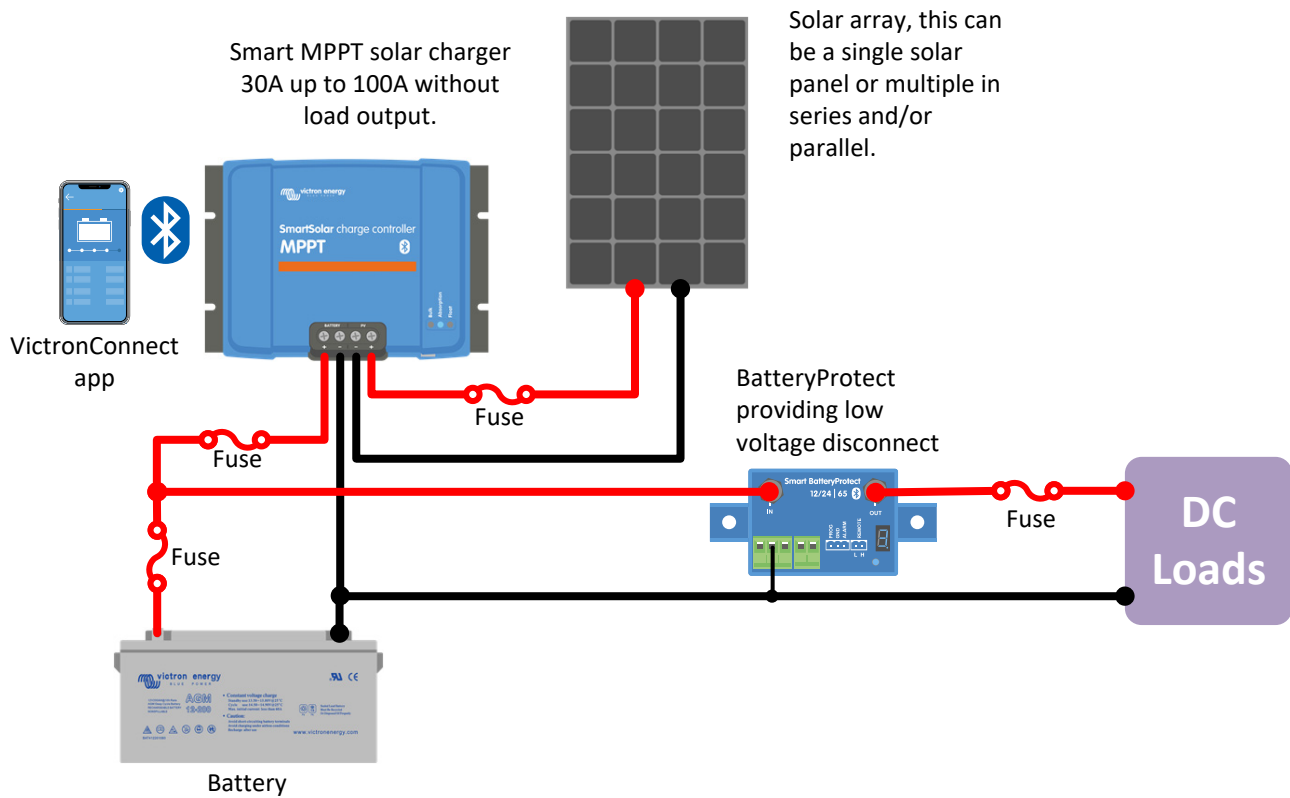
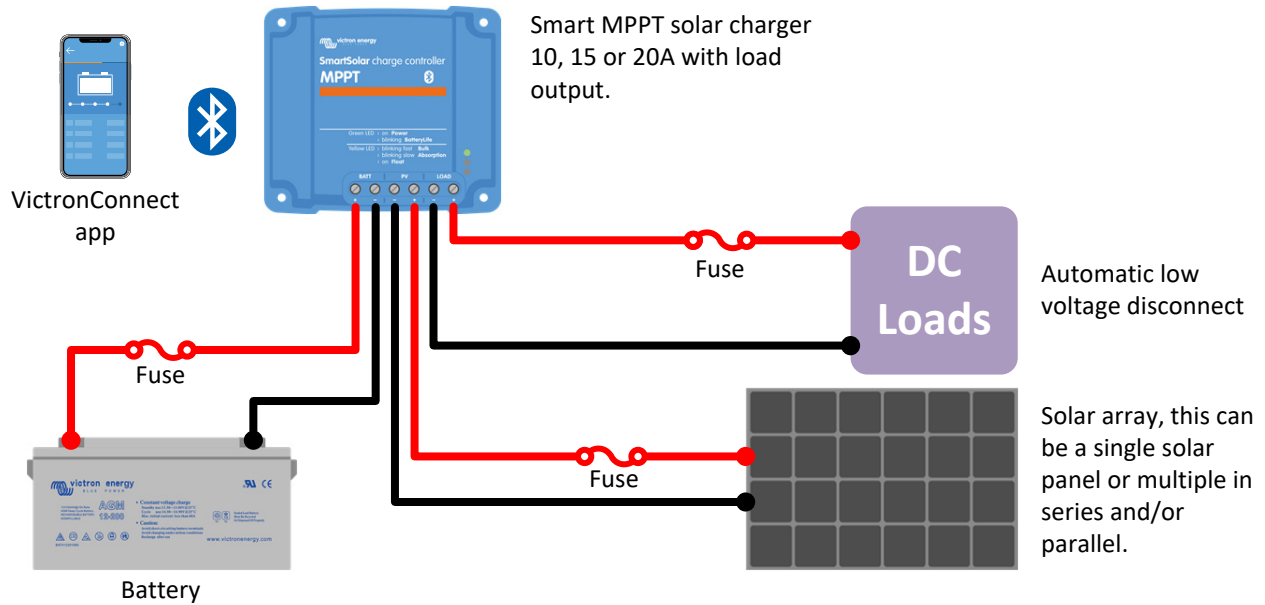
Automotive system

Battery balancer to ensure both batteries in a 24V system are charged equally



Automotive system

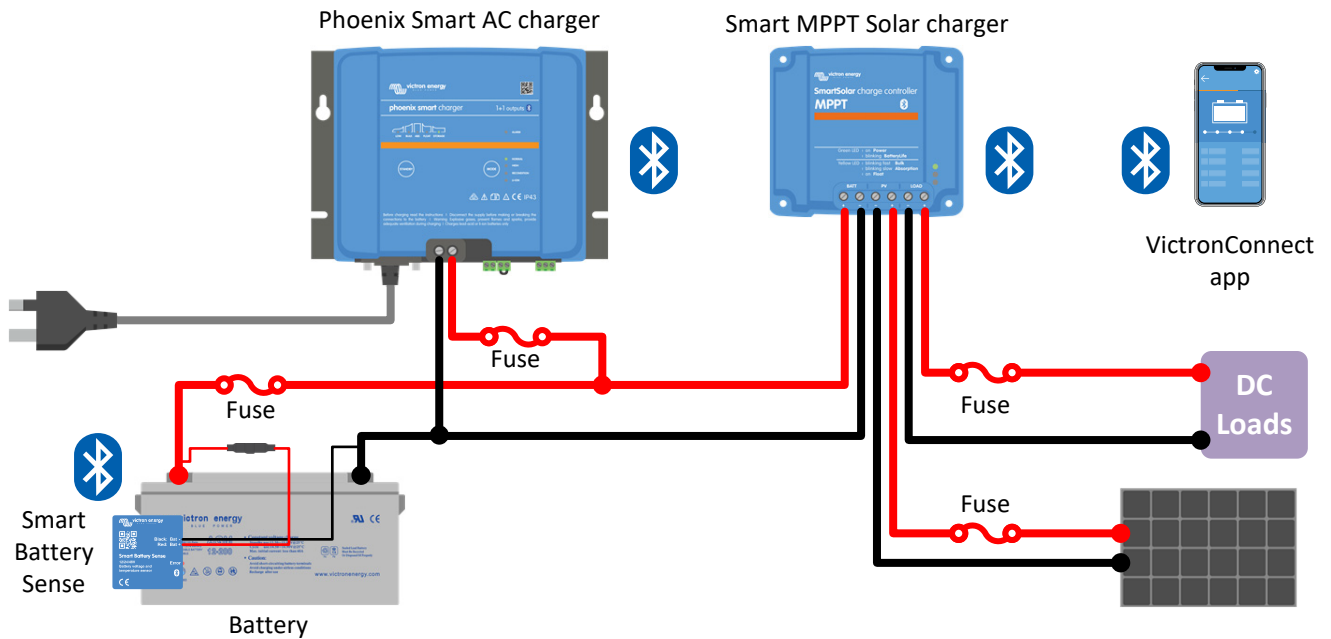
Solar charging



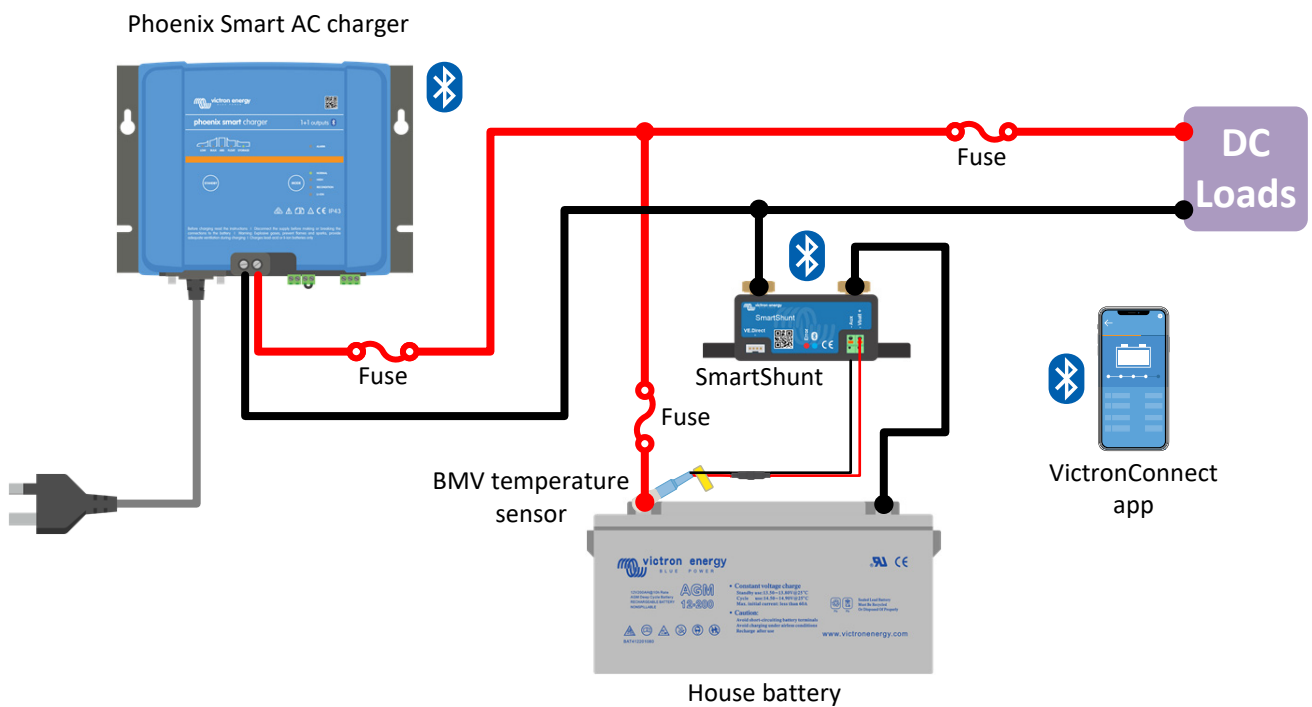
victron energy
BLUE POWER

Automotive system

VE.Smart network shares battery voltage, current and temperature data



The Smart Battery Sense measures voltage and temperature and sends it to the solar charger and the Phoenix charger. The MPPT uses it for temperature and voltage compensated charging. The VE.Smart network communicates via Bluetooth and is set up via the VictronConnect app.



Similar to the above system, but now the SmartShunt together with the BMV temperature sensor is sending battery voltage and battery temperature information to the VE.Smart network.

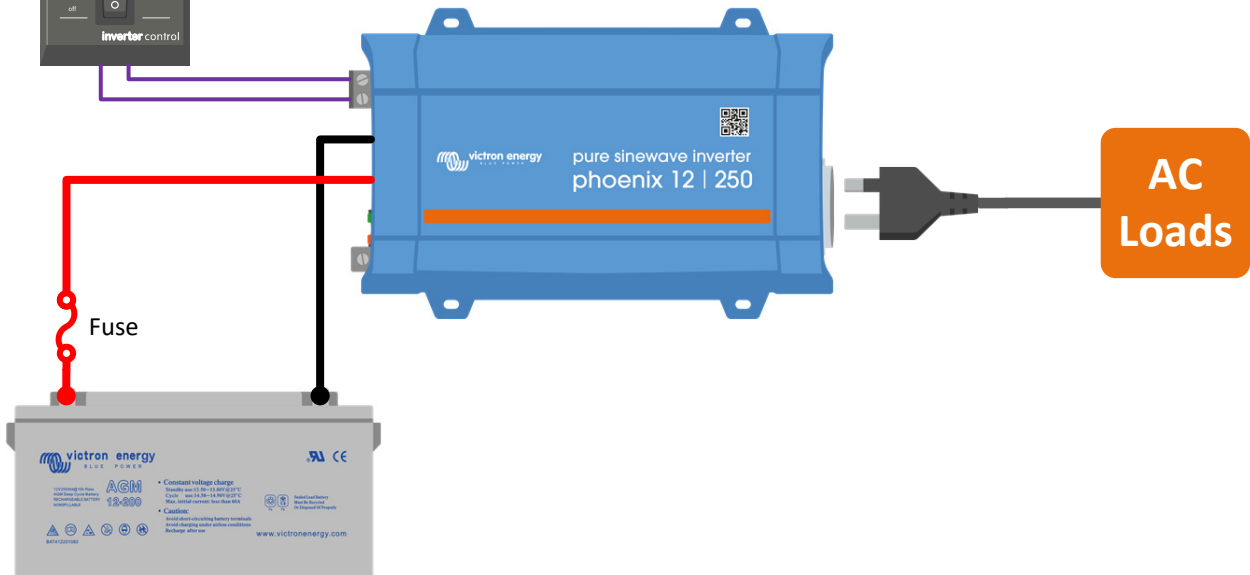
Automotive system

Inverter systems

Inverter control panel



Inverter ranging in size from 250VA up to 15kVA



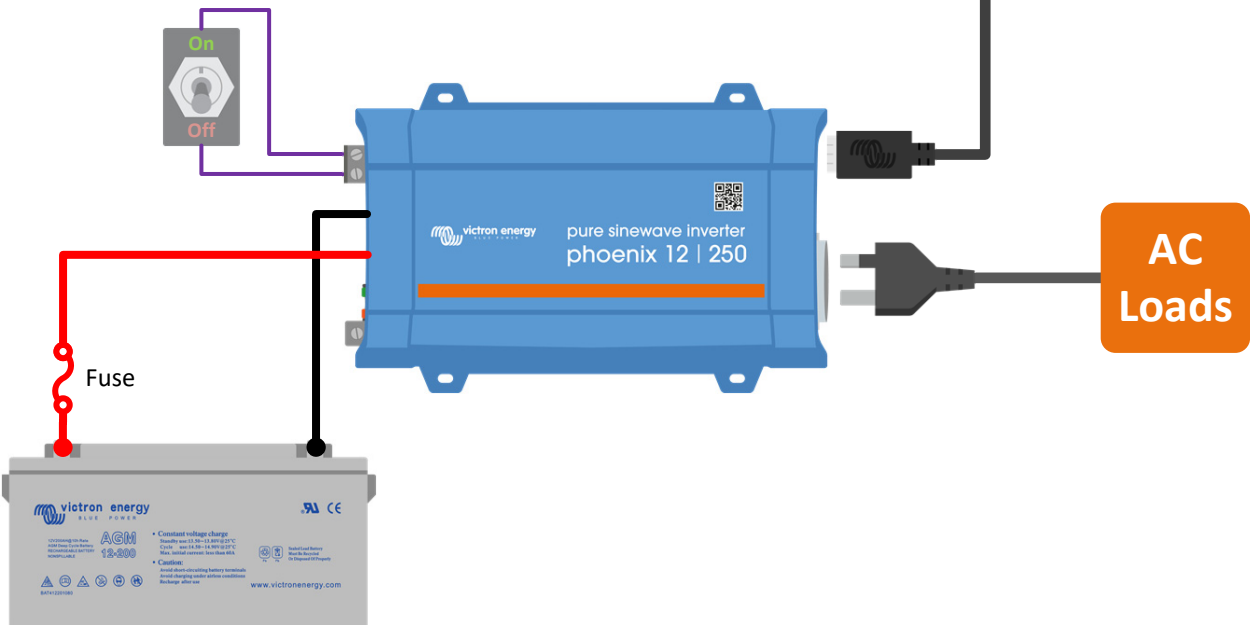
Battery

Remote on/off switch



VictronConnect app

Bluetooth dongle to enable a Bluetooth connection to the VictronConnect app



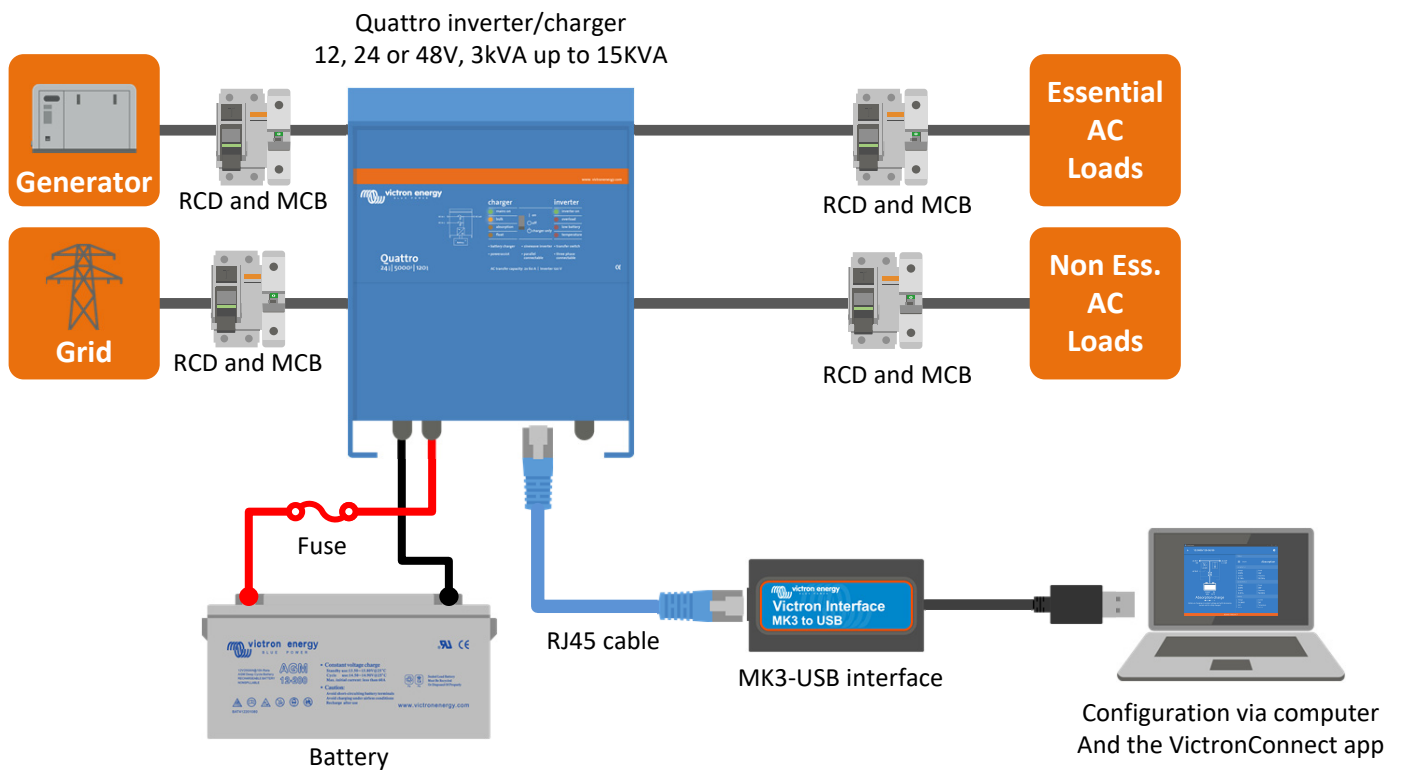
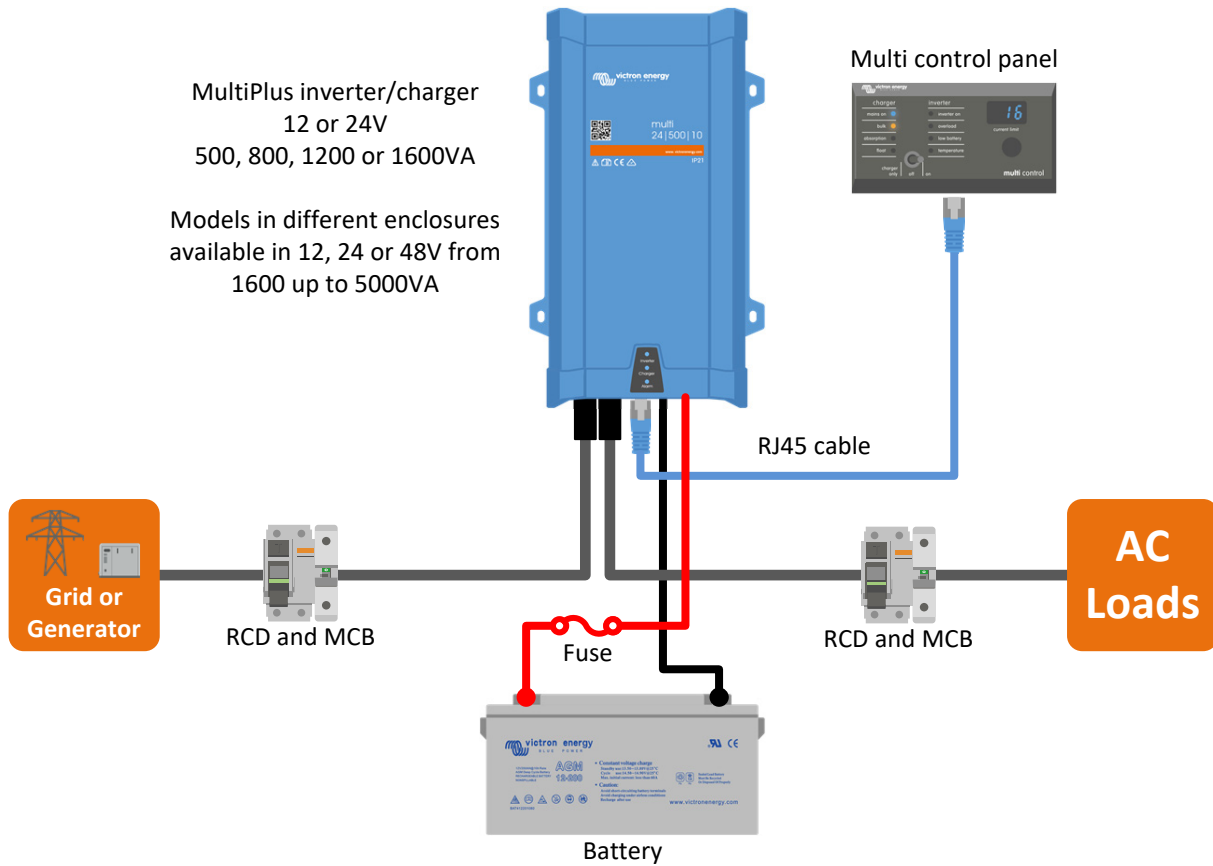
Battery



victron energy
BLUE POWER

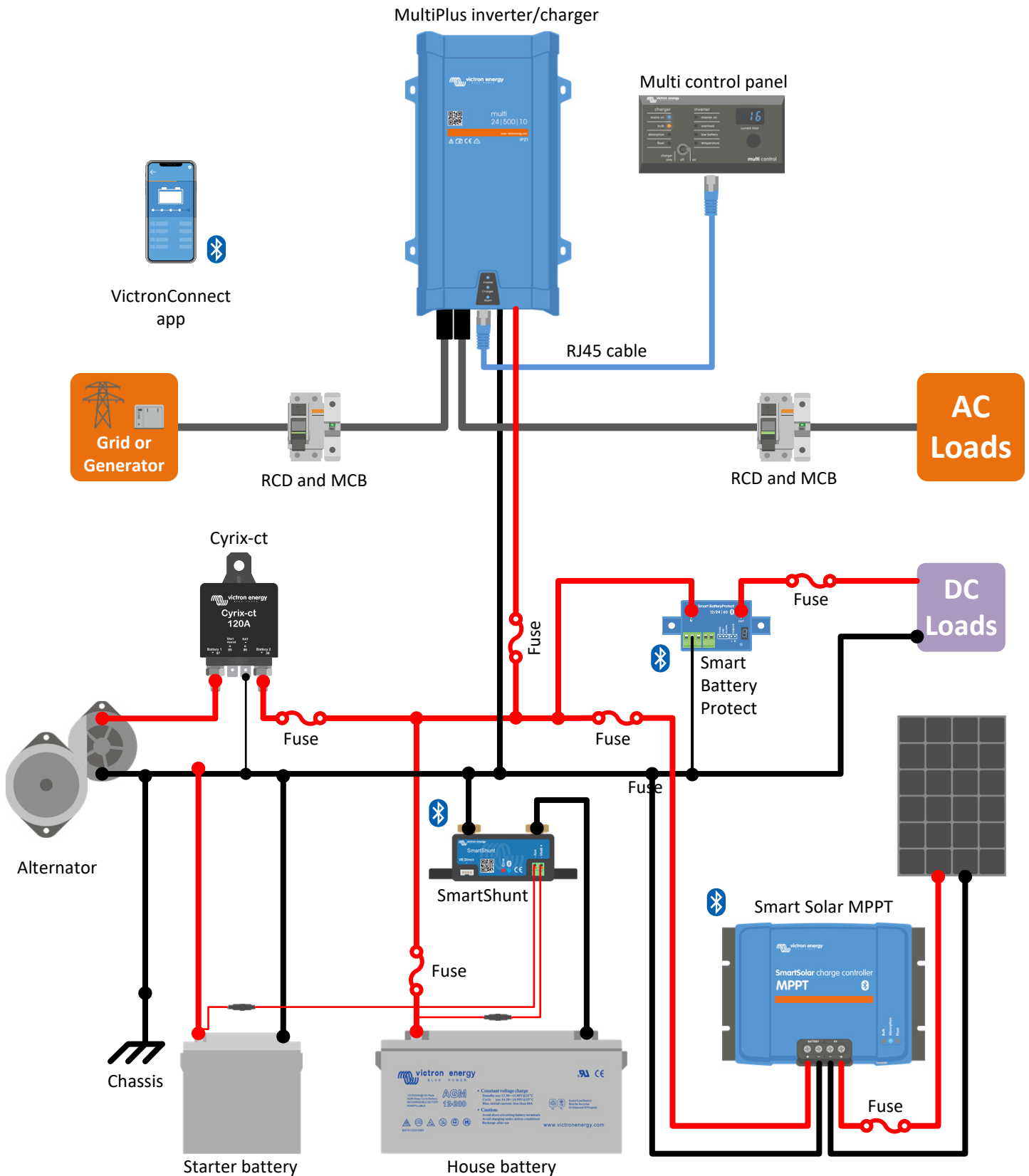
Automotive system

Inverter/charger systems



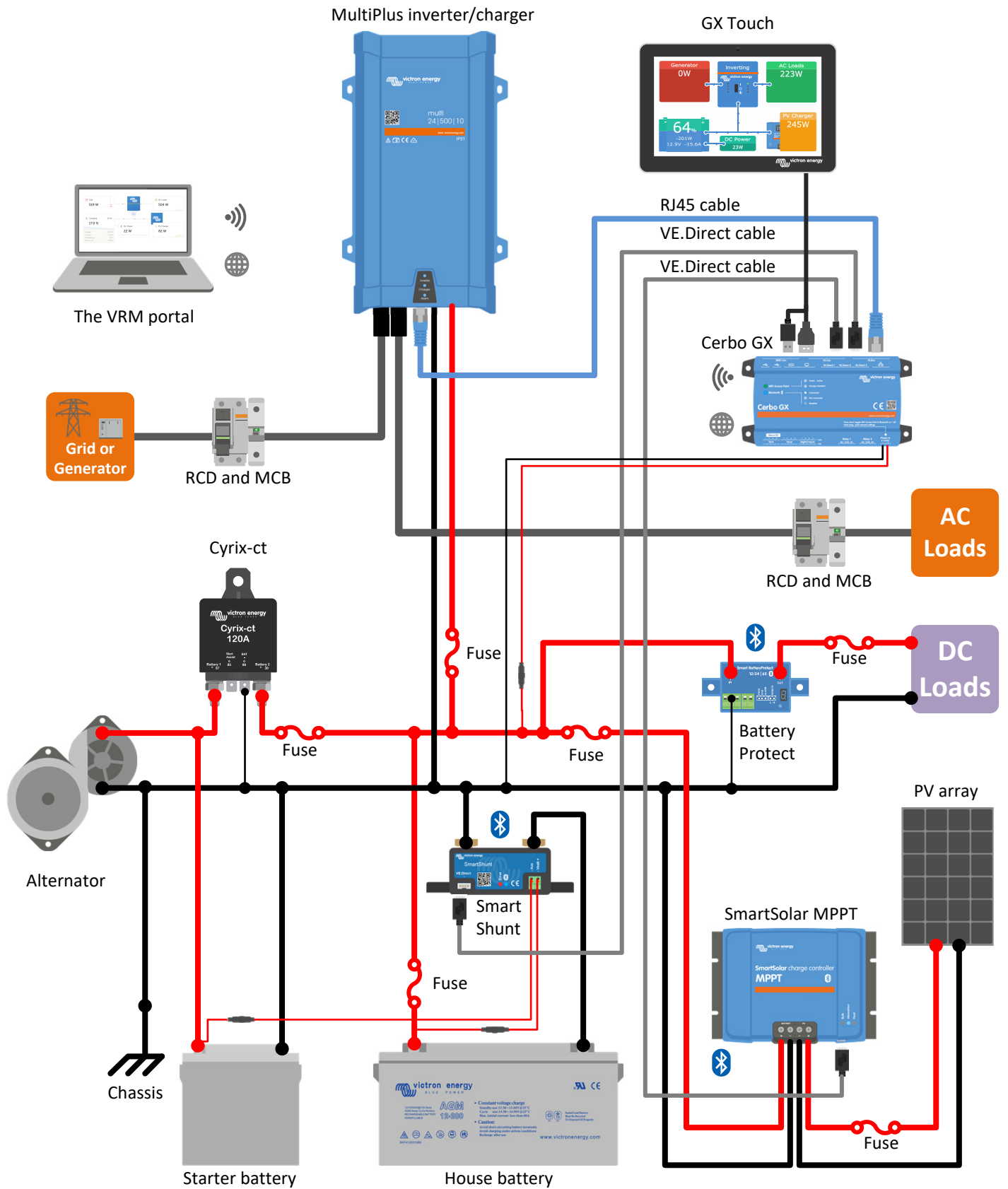
Automotive system

Basic system with traditional batteries



Automotive system

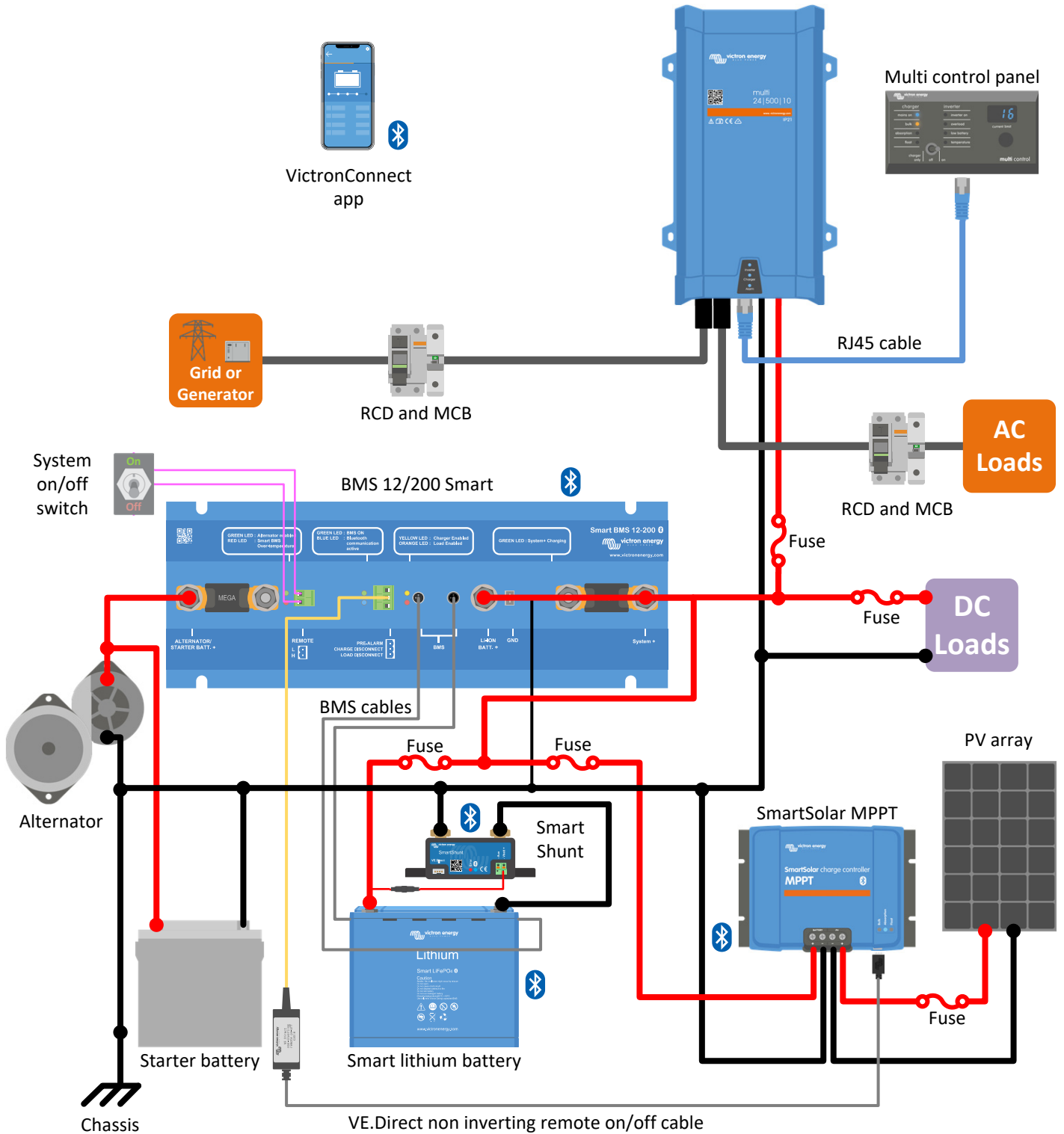
Monitoring with a Cerbo GX.
System control and readout is via a GX touch display and/or the VRM portal.



Automotive system

Basic lithium system

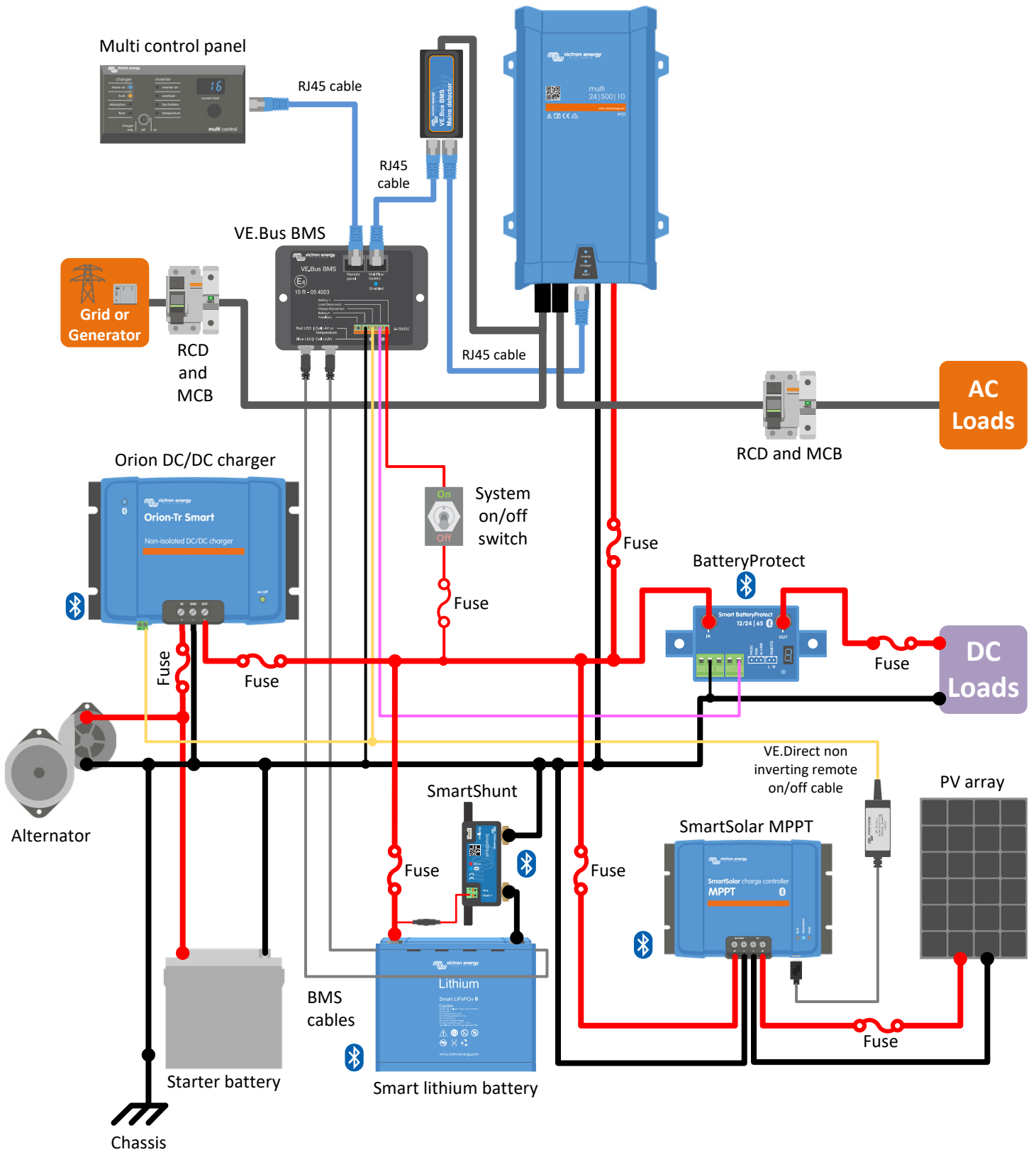
MultiPlus inverter/charger 12V
500, 800, 1200 or 1600VA



Automotive system

Advanced lithium system

MultiPlus inverter/charger





Battery chargers
Inverters
Inverter/chargers
Battery protection
Voltage sensitive relays
Solar chargers
AGM batteries
Lithium batteries
DC/DC converters and chargers
Battery monitors
System monitoring
Fuses and fuse holders
Busbars
Battery Switch

For more information see:
www.victronenergy.com