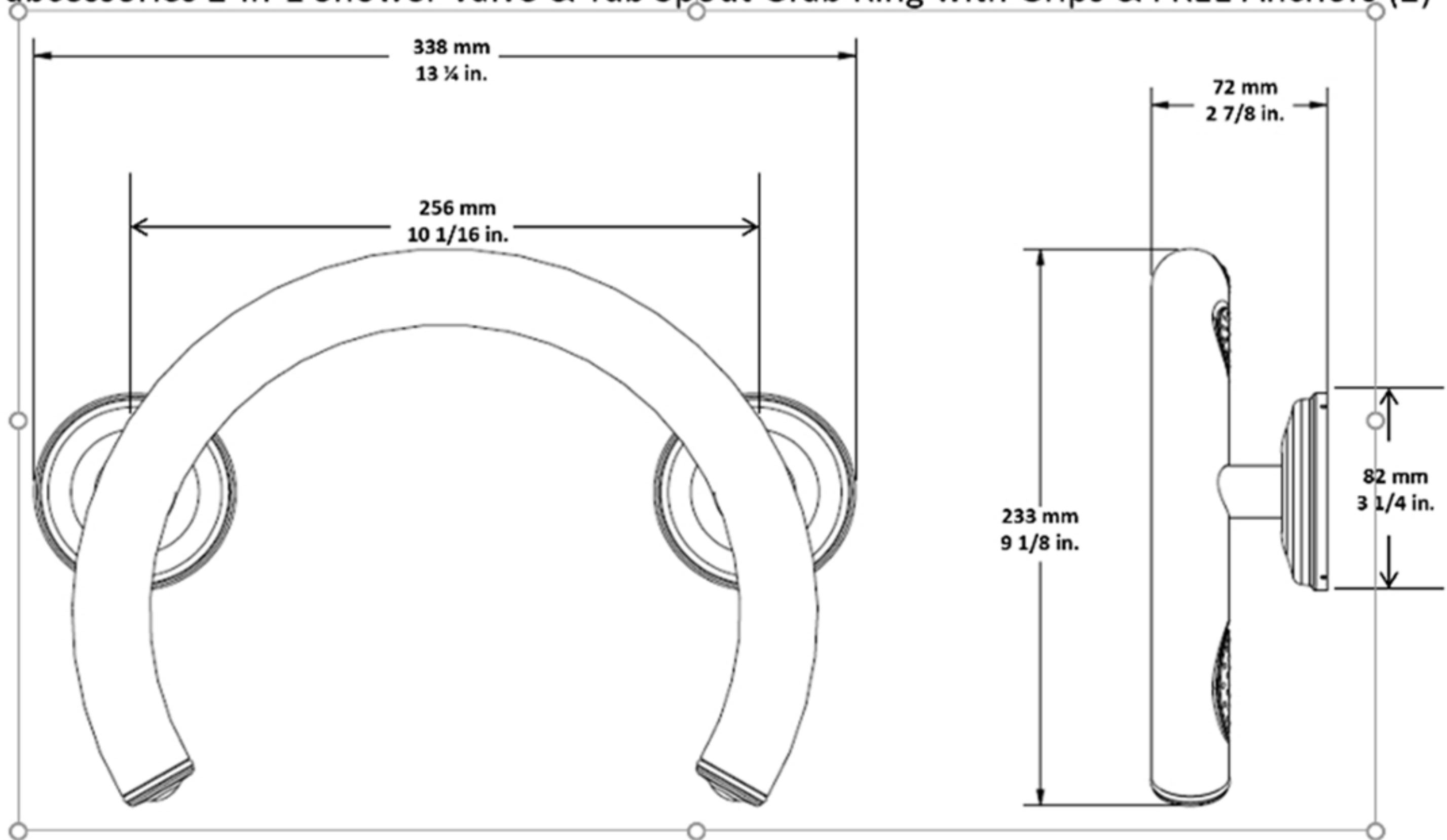


PRODUCT DIMENSIONS

MODELS 61023 CH, 61029 BN & 61035 Oil Rubbed Bronze

Grabcessories 2-in-1 Shower Valve & Tub Spout Grab Ring with Grips & FREE Anchors (2)



All Grabcessories are ADA Compliant 1.25" bar diameter and support up to 500 lbs in wall substrates that support it.
All Grabcessories come with **(2) FREE** LiveSafe Hollow Wall Anchors and (2) LiveSafe Stud Mount Flanges in the box.
All Grabcessories are Stainless Steel – No Rust!
All Grabcessories have No Slip Rubber Grips (Except the Shelf)