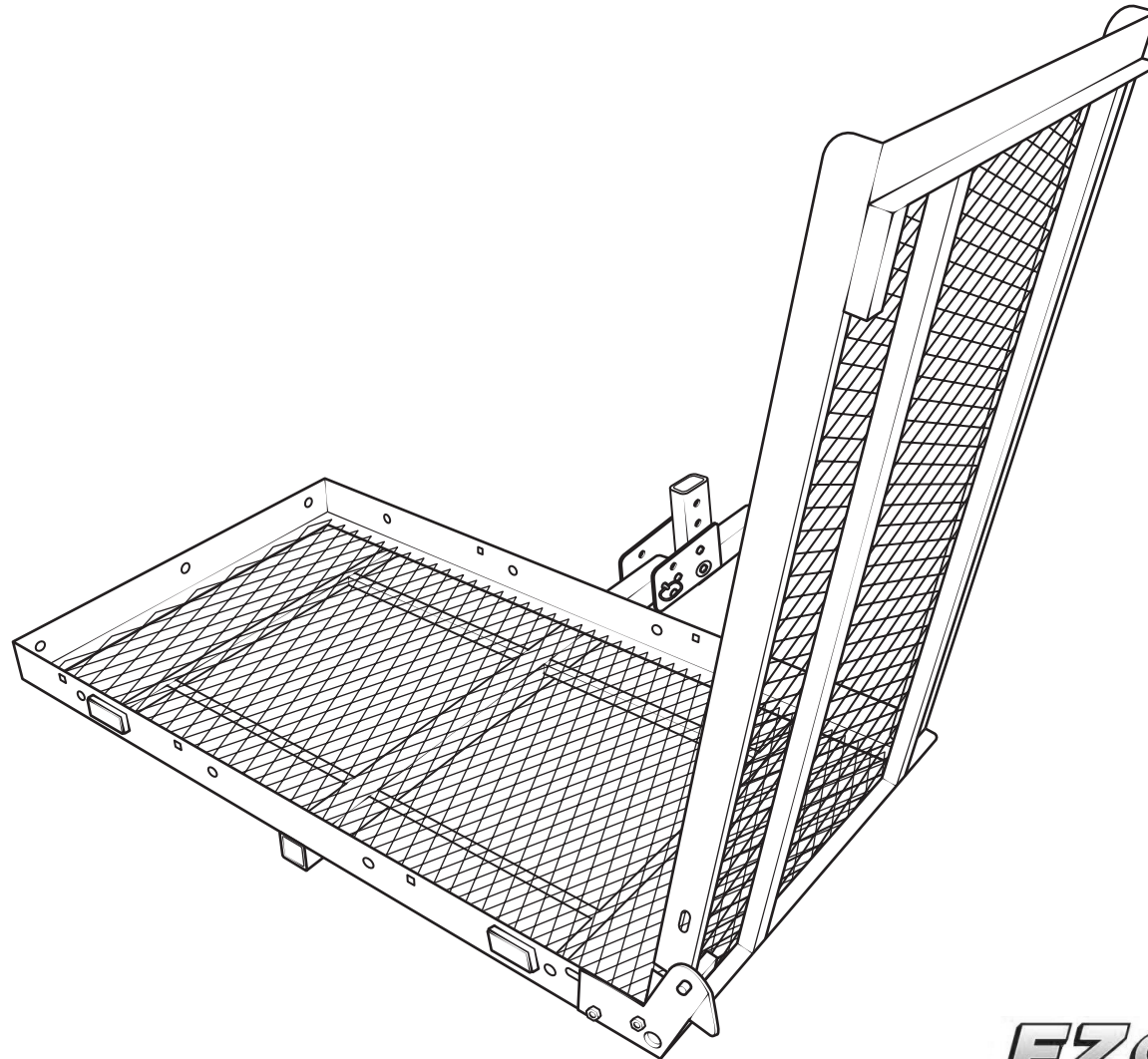


EZ Carrier 3

Owner's Manual

Keep instructions for future reference



EZ CARRIER™
Your Key to Freedom™ 

Introduction

The EZ Carrier 3 provides all the flexibility you may need to transport your mobility scooter. The features include:

- The capability to attach to a Class II or Class III hitch.
- Adjustable platform height
- Use with an EZ Carrier Fold Up platform or manual Swing-Away arm.

In this manual we will show the various EZ Carrier 3 configurations, how to use and maintain the carrier. Thank you for purchasing the EZ Carrier 3 and please send us an email or give us a call if you have any questions or need the optional accessories.

Contact Information

Phone: (918) 827-7876

Toll Free: (888) 302-2774

Fax: (206) 279-1594

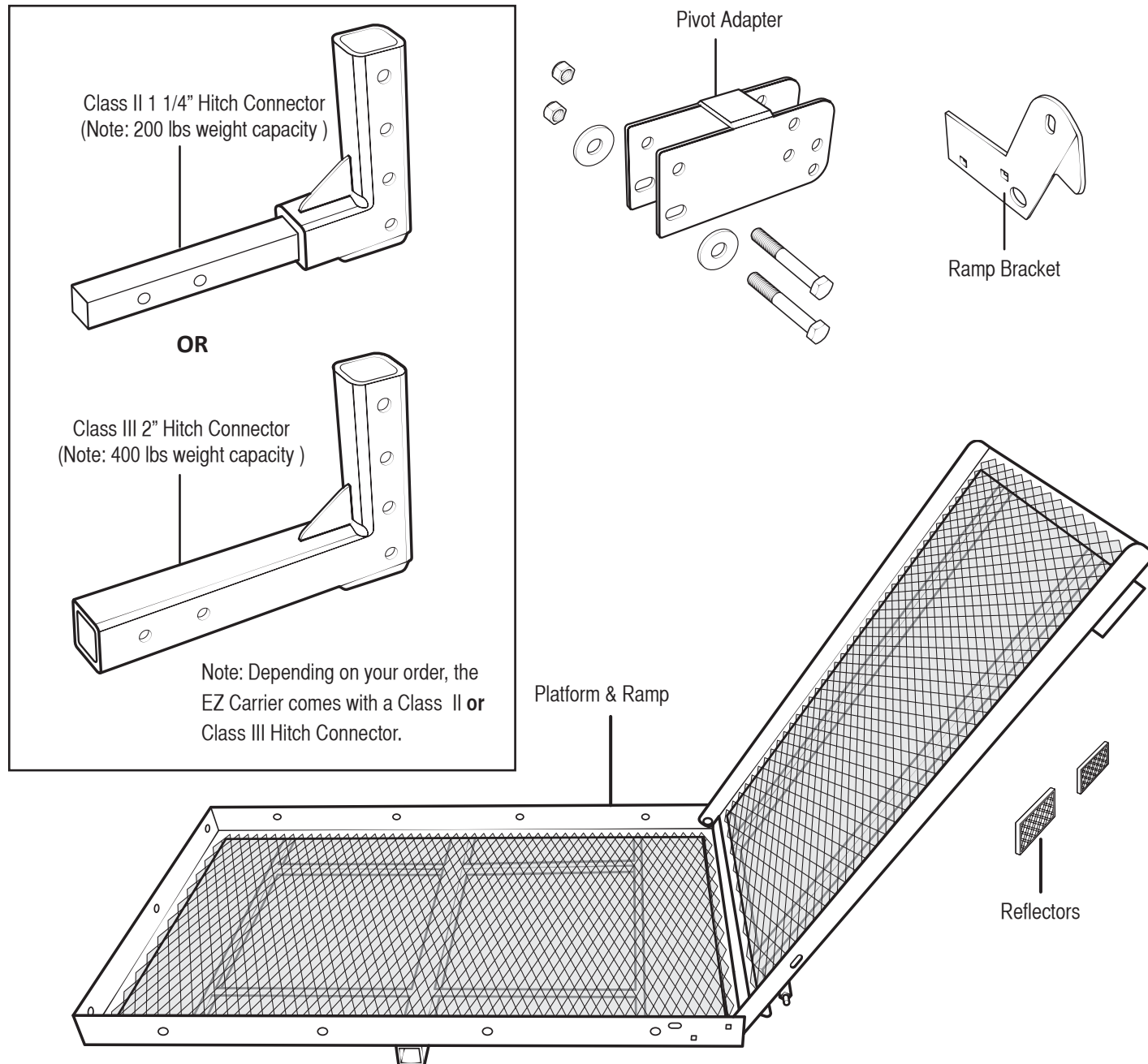
Email: service@ezcarrierusa.com

Website: www.ezcarrierusa.com

Safety

- Failure to properly tighten bolts and insert pins where required may cause assembly failure, serious injury or death. Always check that all bolts are securely fastened and pins are locked in place before use of the product.
- A carrier and cargo add weight to the vehicle and improperly or under inflated tires may cause unexpected movement, serious injury or death. Always check the vehicle tires are properly inflated before using the carrier.
- A carrier and cargo add weight to the vehicle and lengthens the time and distance that it takes to merge with or pass other vehicles as well as stopping your vehicle. Failure to allow additional time and distance for these actions may result in an accident, serious injury or death. Review the guidelines provided by your automobile manufacturer's manual and adjust your riding accordingly, allowing extra time and distance for these actions.
- Vehicles parked on an incline or too close to curbs, steps and uneven surfaces may cause unexpected movement of the load or load tip over resulting in physical damage, serious injury or death. Always park the vehicle on a flat surface and engage the parking brake before placing a load on the carrier and moving the platform. Check the area around the platform is clear of the curb, flat and free of debris. Never stand between the vehicle and the platform.
- Use of the carrier for purposes other than the stated intent may cause physical damage, serious injury or death. Never allow children to climb, play or ride on the carrier. Do not place animals or unstable loads on the carrier. Do not overload the carrier, check the maximum weight capacity for the Class of hitch on your vehicle.
- Movement of the platform and ramp may create pinch points that could cause serious injury or death. Always keep all body parts, long hair, loose clothing and jewelry away from moving parts when using the carrier.
- Changing or adding unauthorized parts to the carrier and removing parts from the carrier may adversely affect the functionality of the product. These actions are not recommended and will void the warranty.

Parts



Class 3 Hardware

- 5/8" x 1-3/4" hex bolt (x1)
- 5/8" Lock Washer (x1)
- 5/8" Spring Nut (x1)

OR

Class 2 Hardware

- 3/8" x 2-1/2" hex bolt (x1)
- 3/8" Collar (x1)
- 3/8" Washer (x1)
- 3/8" Steel Locking Nut (x1)

All Models

- 1/2" x 3-1/2" Hex Bolt (x4)
- 1/2" Steel Locking Nut (x4)
- 1/2" Washer (x2)
- 3/8 x 3/4" Carriage Bolts (x2)
- 3/8" Steel Locking Nuts (x2)
- 1/2" Hitch Pin and Keeper (x1)
- Reflectors (x2)

Tools Required

- 9/16" & 3/4" Wrench
- Ratchet with 9/16", 5/8", 3/4" and 15/16" sockets

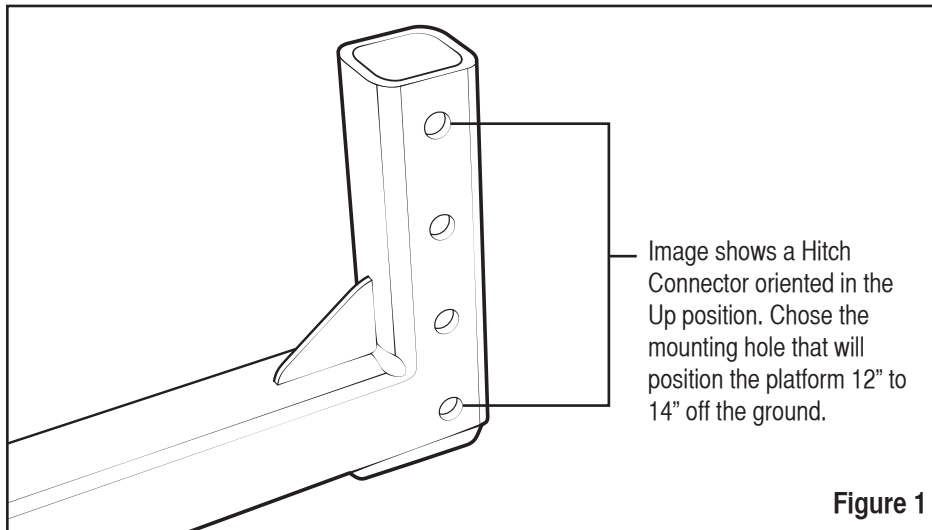
Assembly

Attaching the Hitch Connector (see class II or class III)

⚠ WARNING!

Failure to properly tighten bolts and insert pins where required may cause assembly failure, serious injury or death. Always check that all bolts are securely fastened and pins are locked in place before use of the product.

The EZ Carrier Height Adjustable model is designed for vehicles with a trailer hitch height outside of 12" - 14" from the ground. Orient the Hitch Connector up or down so the platform is 12" to 14" off the ground.

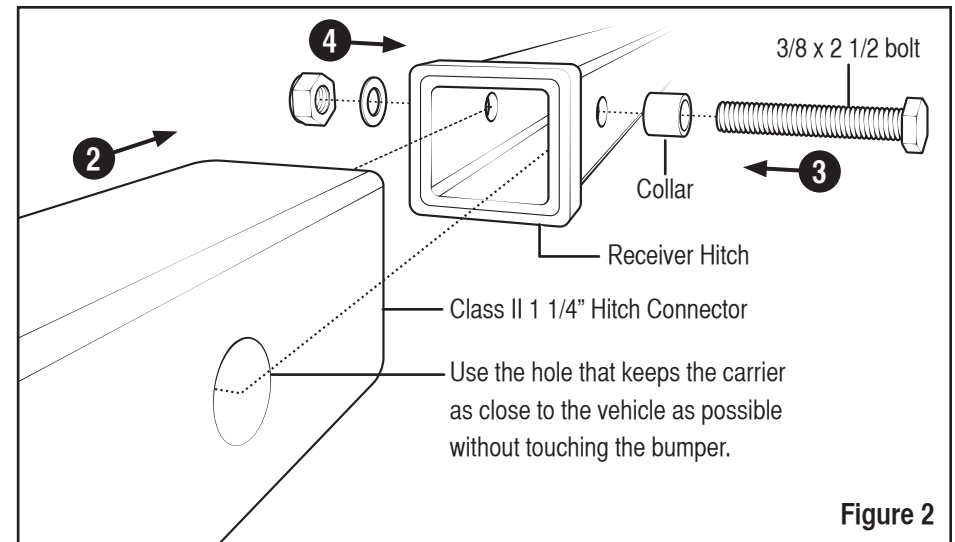


Class II Hitch Connector

Important! The Class II Hitch Connector has a 200 lbs weight capacity.

1. Place the collar on the 3/8 x 2 1/2 bolt (**Figure 2**).
2. Insert the Hitch Connector into the Receiver Hitch.
3. Align the holes and insert the bolt and collar through the holes. **Note:** Use the hole that keeps the carrier as close to the vehicle as possible without touching the bumper.

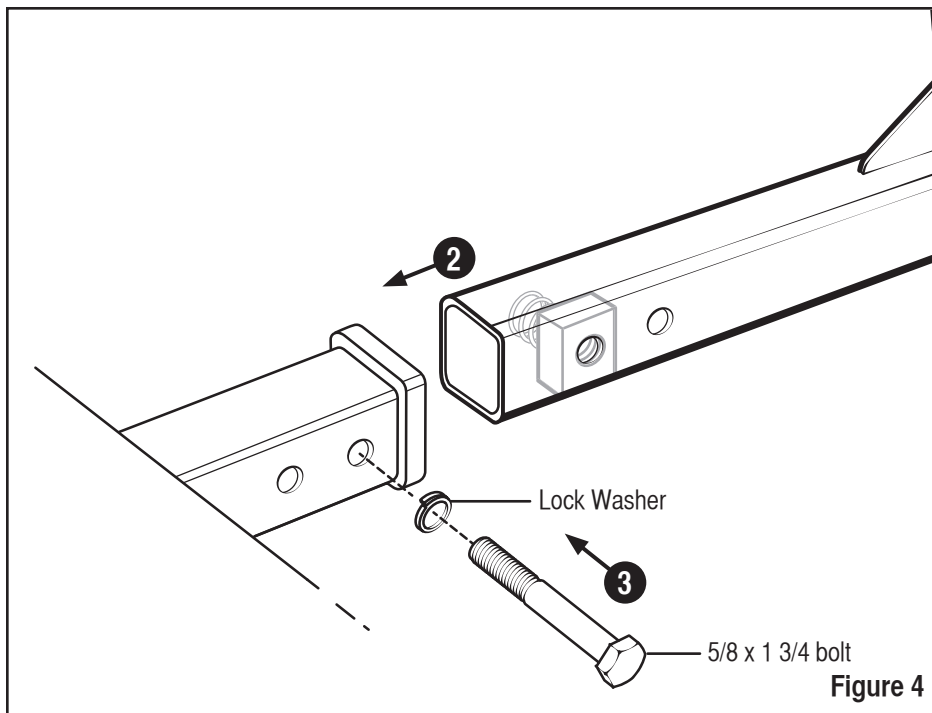
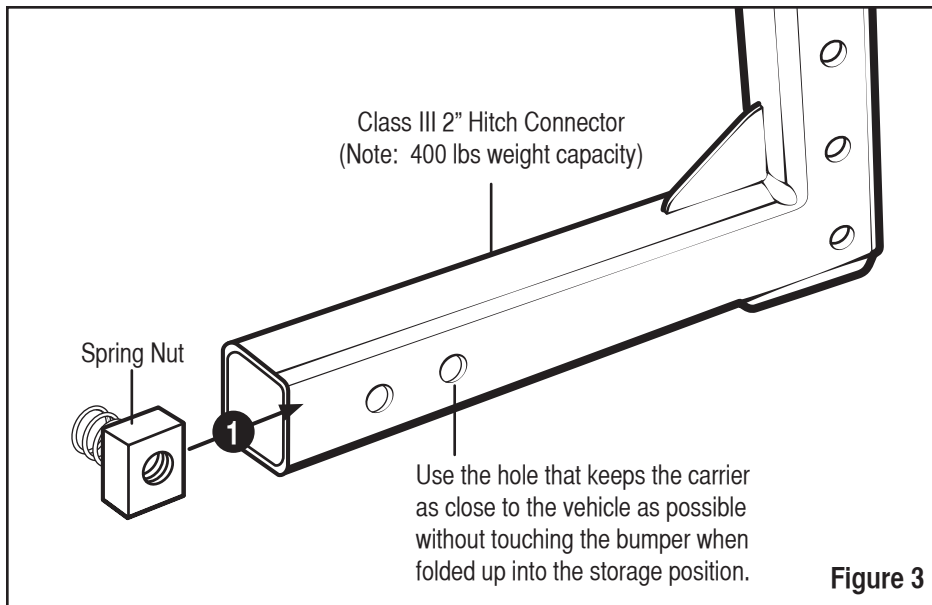
4. Place the washer on the bolt. Screw the nut on the bolt.
5. Tighten the nut and bolt with a wrench until the adapter is securely fastened to the Receiver Hitch.



Class III Hitch Connector

Important! The Class III Hitch Connector has a 400lbs weight capacity.

1. Insert the Spring Nut into the shank tube of the Hitch Connector (**Figure 3**). Align the spring and threads on the spring nut with the shank tube holes (**Note:** Use the hole that keeps the carrier as close to the vehicle as possible without touching the bumper when folded up into storage position.).
2. Slide the Hitch Connector into the Receiver hitch on the vehicle and align the holes between the two.
3. Insert the 5/8 x 1 3/4 bolt and lock washer into the Spring Nut and screw tight (**Figure 4**). The bolt should be tightened between 30 and 60 ft-lb of torque (e.g., similar to tightening a lug nut on a car wheel).

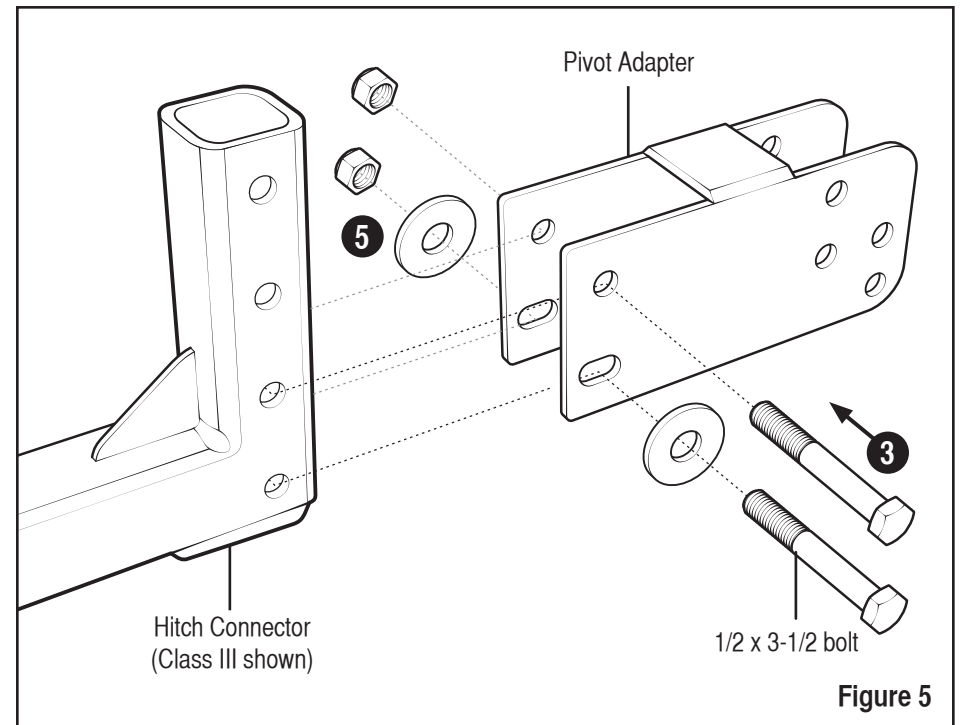


Attaching the Pivot Adapter to the Hitch Connector

The EZ Carrier 3 can be attached to the Hitch Connector using the Pivot Adapter or the Swing-Away Arm. Follow these steps if you are connecting the Pivot Adapter to the Hitch Connector:

Note: If you ordered the Swing Away accessory, proceed to the next page.

1. Place the Pivot Adapter over the Hitch Connector and align the mounting holes (**Figure 5**).
2. Position the Hitch Connector between 12" and 14" from the ground.
3. Insert the 1/2 x 3-1/2 top bolt and place the nut on it.
4. Place a washer on the 1/2 x 3-1/2 bottom bolt and insert the bolt through the mounting holes.
5. Place a washer and nut on the bolt and finger tighten.



Attaching the Swing-Away Arm to the Hitch Connector

Note: The Swing-Away Arm is an optional part. Proceed to Attaching the Platform to the Pivot Adapter if you do not have this option. Follow these steps if you are connecting the optional Swing-Away Arm to the Hitch Connector:

1. Place the Swing-Away Arm over the Hitch Connector and align the mounting holes (**Figure 6**).
2. Position the Swing-Away Arm so the platform will be between 12" and 14" from the ground.
3. Insert the 1/2 x 3-1/2 top bolt and place the nut on it.
4. Place a washer on the 1/2 x 3-1/2 bottom bolt and insert the bolt through the mounting holes.
5. Place a washer and nut on the bolt and finger tighten.
6. Adjust the tilt of the swing away so the swing away arm opens level to the ground.
7. Tighten the nuts for both bolts from 30 to 60 ft. lbs.

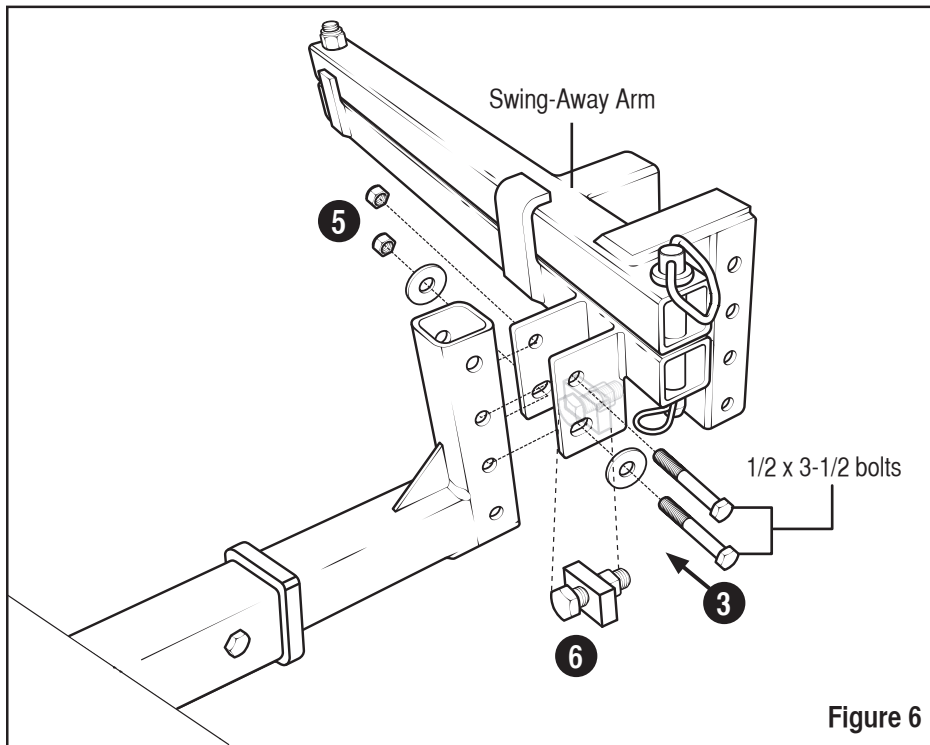


Figure 6

Attaching the Pivot Adapter to the Swing-Away Arm

Follow these steps to connect the Pivot Adapter to the optional Swing-Away Arm.

1. Place the Pivot Adapter over the Swing-Away Arm and align the mounting holes (**Figure 7**).
2. Position the Pivot Adapter so the platform will be between 12" and 14" from the ground.
3. Insert the 1/2 x 3-1/2 top bolt and place the nut on it.
4. Place a washer on the 1/2 x 3-1/2 bottom bolt and insert the bolt through the mounting holes.
5. Place a washer and nut on the bolt and finger tighten.

Important! The swing away can only be used when the platform is in the storage position. Never attempt to open the swing away while the platform is loaded with cargo.

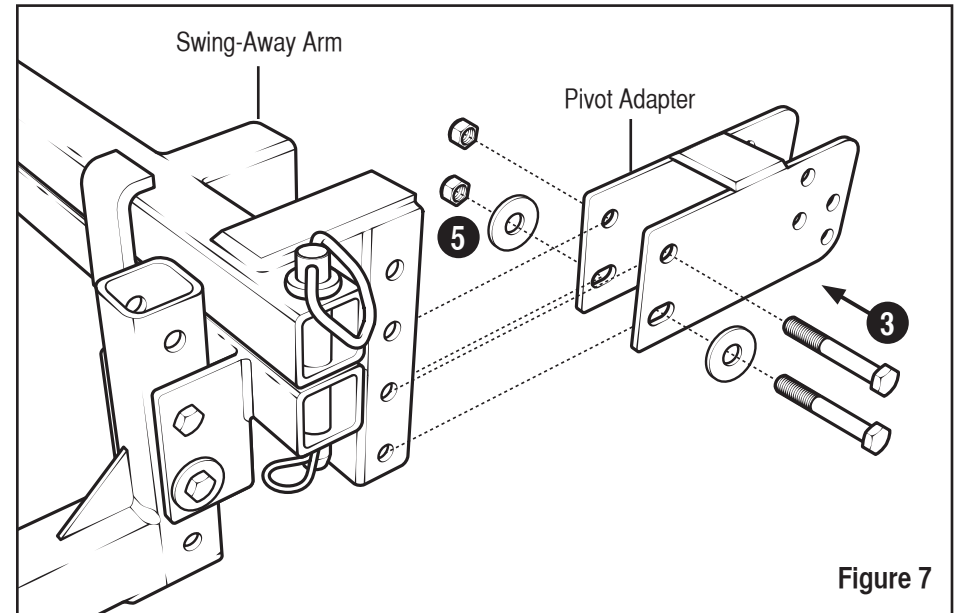
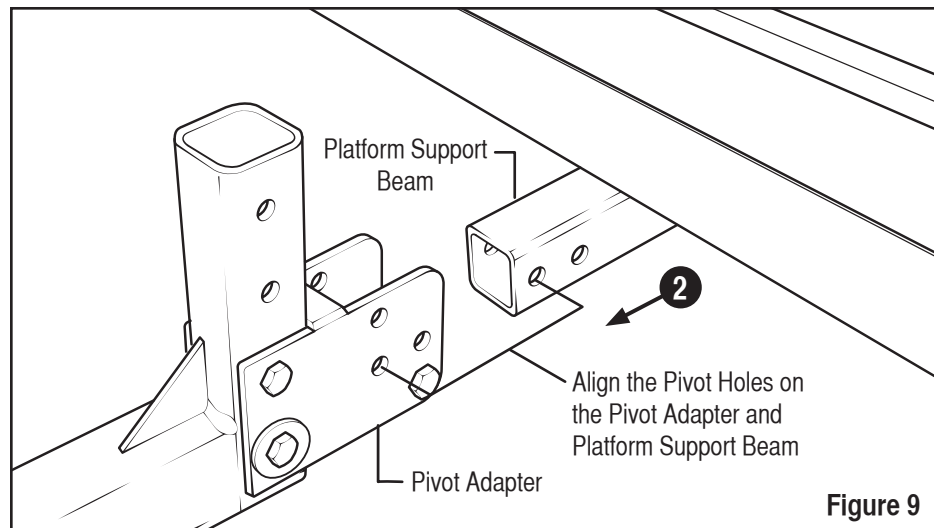
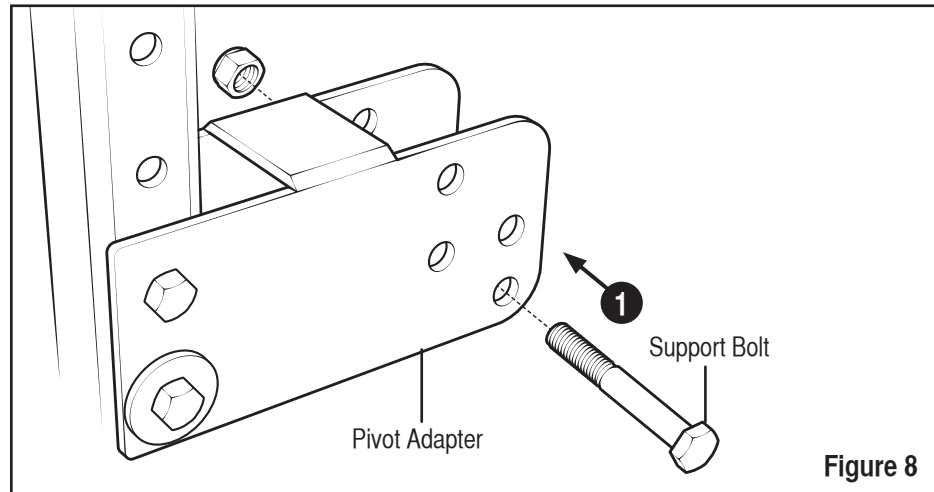


Figure 7

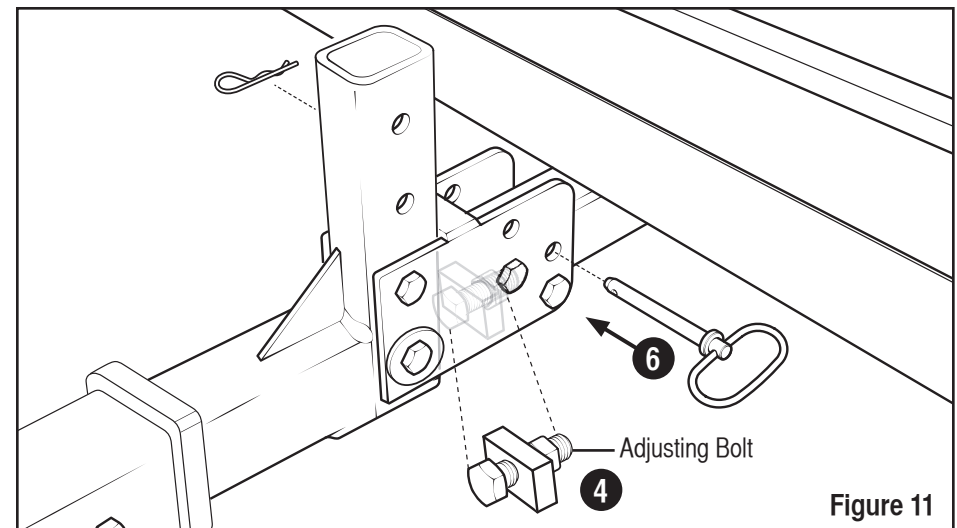
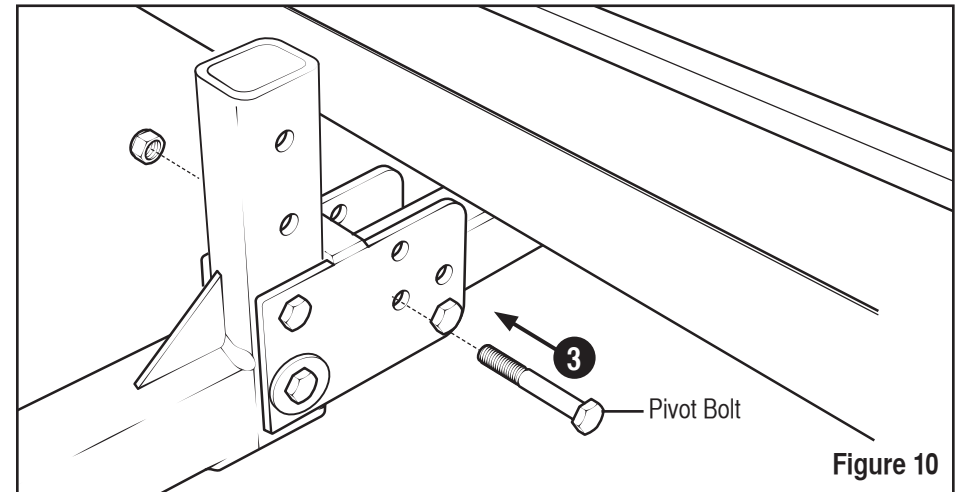
Attaching the EZ Carrier 3 Platform to the Pivot Adapter

Attaching the Pivot Adapter to the EZ Carrier Platform is the same irregardless if the adapter is attached to the Hitch Connector or Swing-Away Arm. Follow these steps to attach the EZ Carrier Platform to the Pivot Adapter.

1. Insert the Support Bolt through the bottom hole on the Pivot Adapter. Attach the nut and finger tighten (**Figure 8**).
2. Slide the Carrier Platform Support Beam into the Pivot Adapter and align the pivot holes (**Figure 9**).

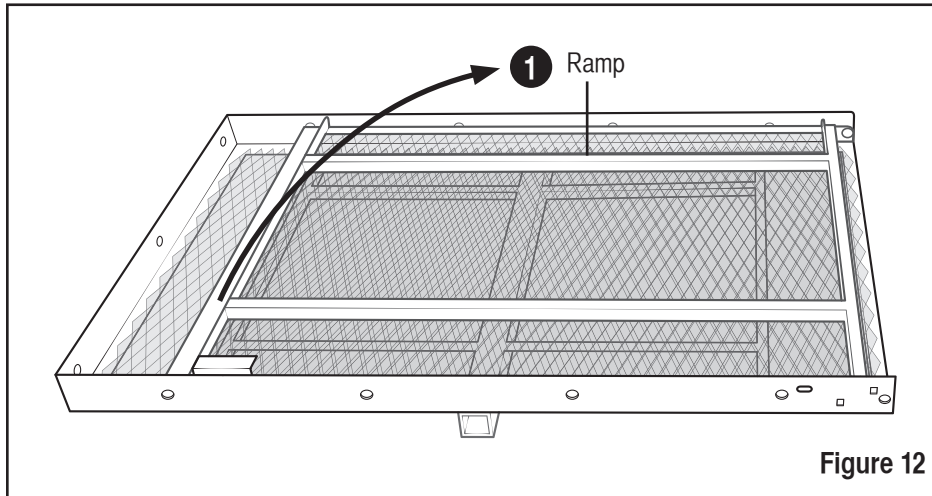


3. Insert the 3 1/2" Pivot Bolt through the Pivot Adapter and Platform Support Beam. Attach the nut and finger tighten (**Figure 10**).
4. Using the Adjusting Bolt on the Pivot Adapter move the platform until it is tilted slightly up in relation to the ground. When loaded the platform should be level with the ground. (**Figure 11**).
5. Tighten the bolts that hold the Pivot Adapter to the Hitch Connector.
6. Tighten the Support and Pivot bolts so the platform is securely in place and pivots freely.
7. Insert and lock the Safety Pin.

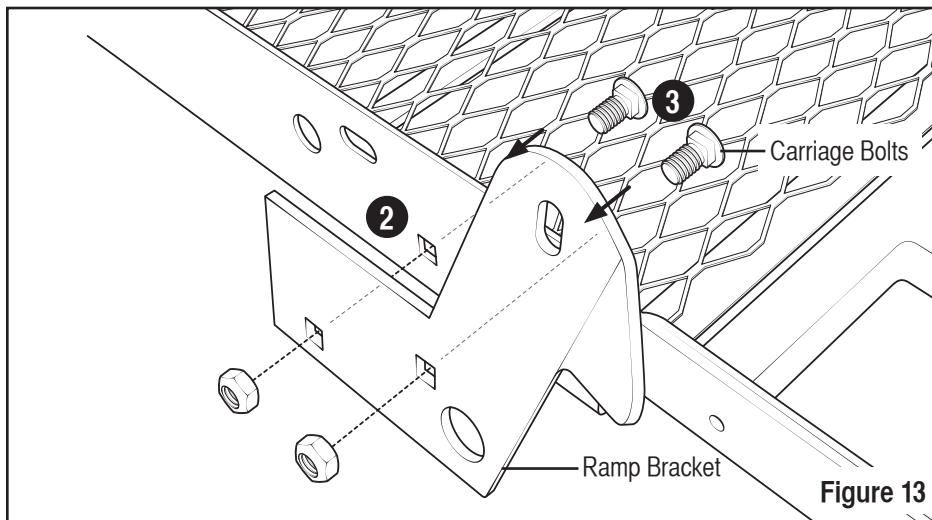


Attaching the Ramp Bracket and Reflectors

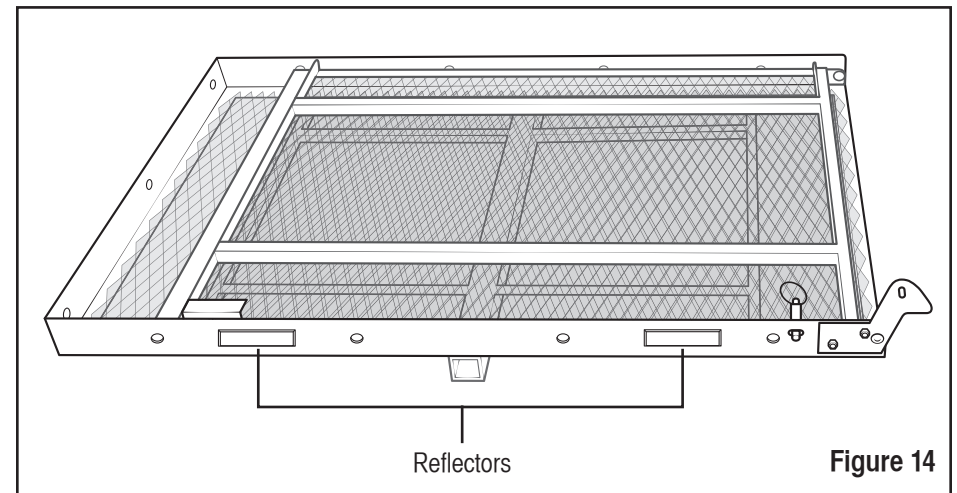
1. To attach the Ramp Bracket open the Ramp to the ground (**Figure 12**).



2. Align the two square holes on the Ramp Bracket and Carrier Platform (**Figure 13**).
3. Insert the two 3/8" Carriage Bolts through the square holes on the Ramp Bracket and Carrier Platform. **Note:** The nuts must be placed on the outside of the Carrier Platform and Ramp Bracket.
4. Tighten the Carriage Bolts.



5. Remove the adhesive backing and attach the enclosed reflectors in the desired locations on the Carrier Platform side rail. Press the reflectors firmly down (**Figure 14**).



Use

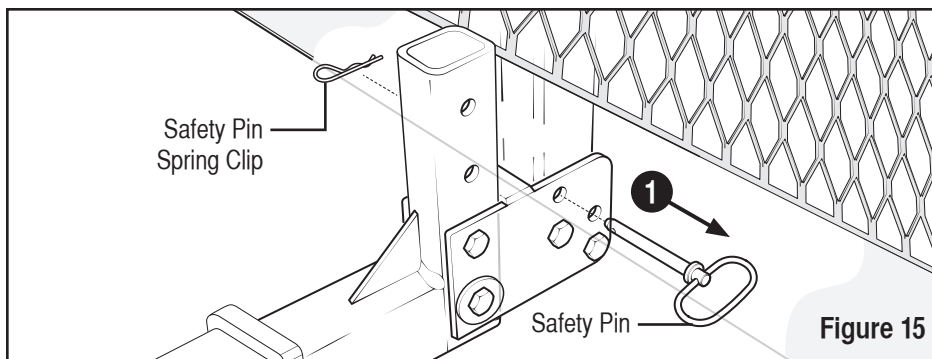
Positioning the Ramp for Loading

⚠ WARNING!

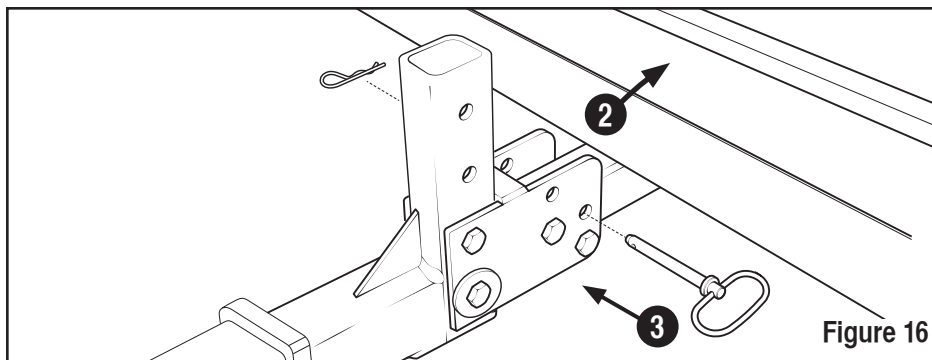
Loss of control when raising or lowering the carriage platform and ramp may cause serious injury or death. Always maintain a secure grip on the platform and ramp during raising and lowering. Do not get your fingers caught between the ramp and the ground. If the weight of the platform and ramp is too heavy enlist the help of other people.

Follow these steps if the Carriage Platform is in the storage position:

1. Remove the Safety Pin from the Pivot Adapter (**Figure 15**).

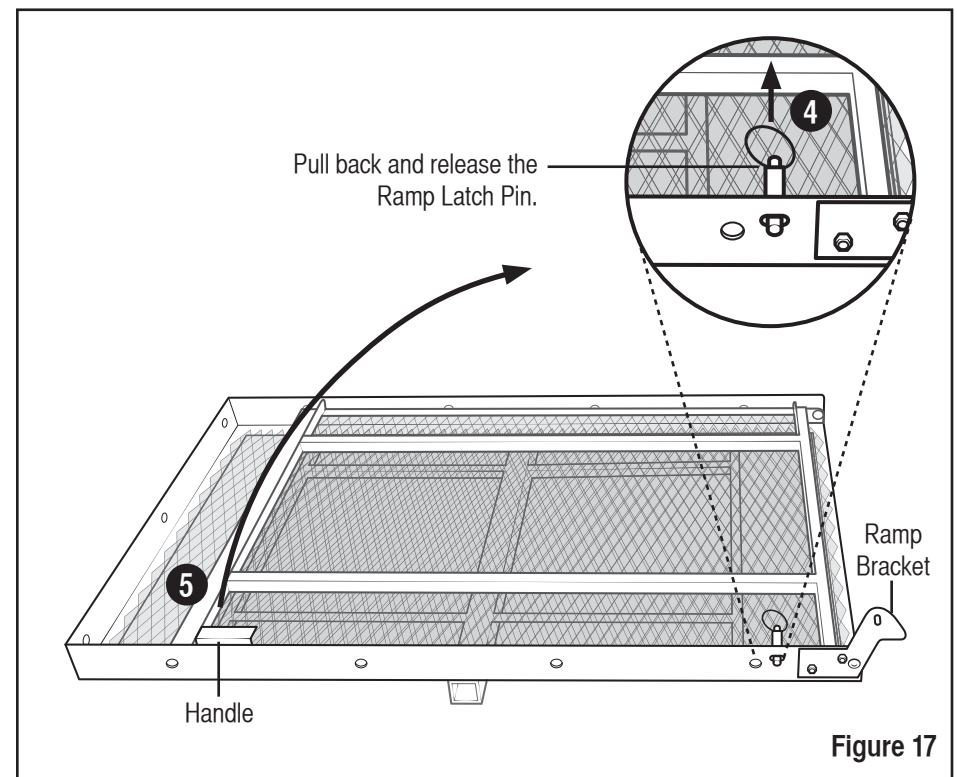


2. With both hands, securely grip and lower the Carriage Platform (**Figure 16**)
3. Insert the safety pin and secure with the safety pin spring clip.



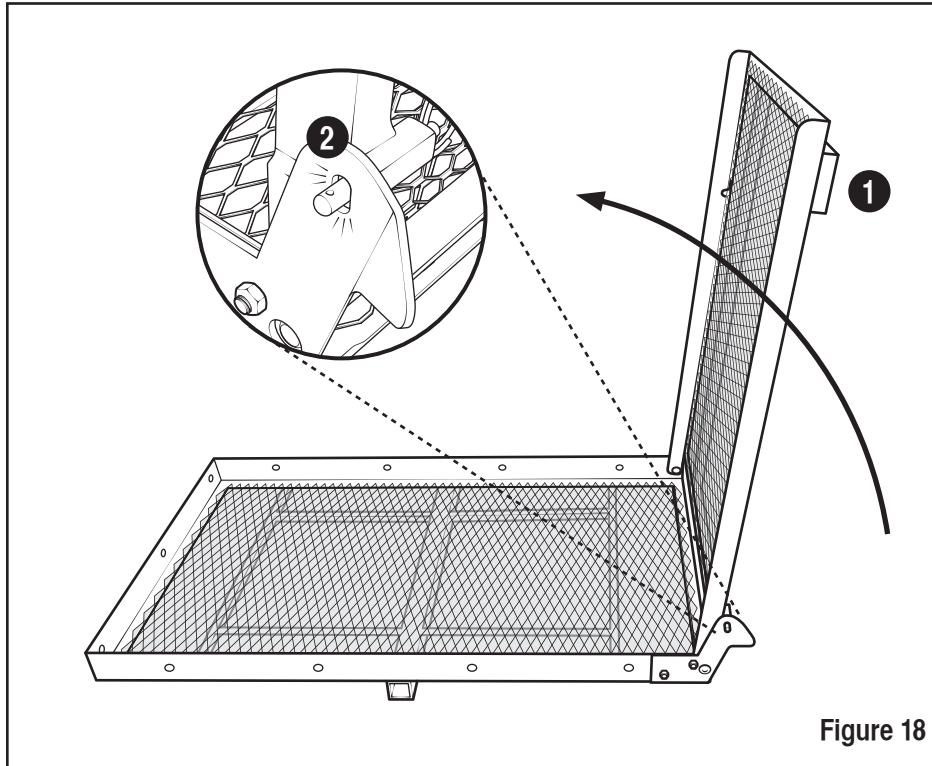
4. Pull back and release the Ramp Latch Pin (**Figure 17**).
5. With both hands holding onto the handle, carefully lift the ramp up and slowly lower the ramp onto the ground. **Note:** Pull the Ramp Latch Pin back as you move the Ramp past the Ramp Bracket.
6. Guide your power chair or scooter up the ramp onto the platform.

Important! Always guide the power chair or scooter onto to the ramp. **Do not** drive the power chair or scooter onto the platform.



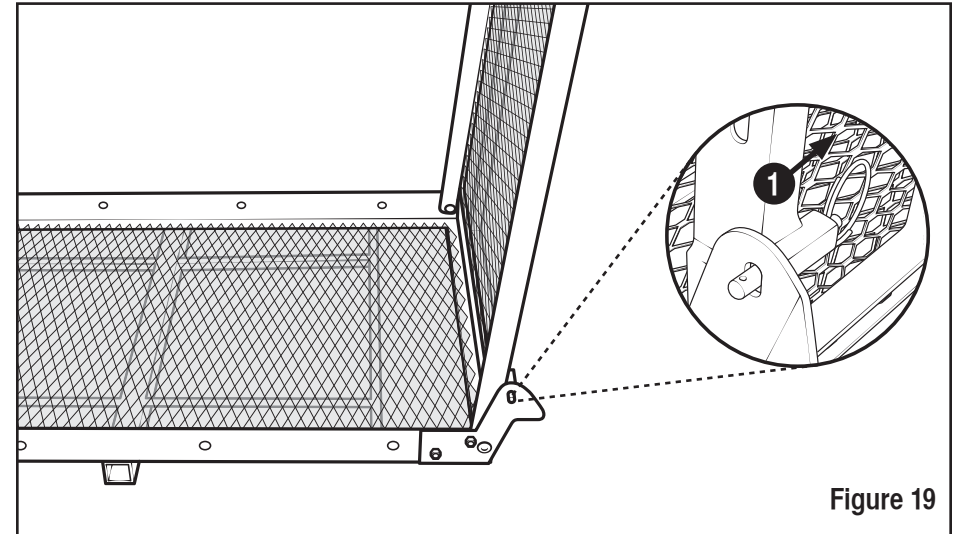
Positioning the Ramp After Loading

1. With both hands on the handle, lift the ramp (**Figure 18**).
2. When the ramp reaches the Ramp Bracket the Ramp Latch Pin will click into place.
3. Secure the load with straps before traveling.
4. Check that both the Safety Pin and Ramp Latch Pin are set securely in place.

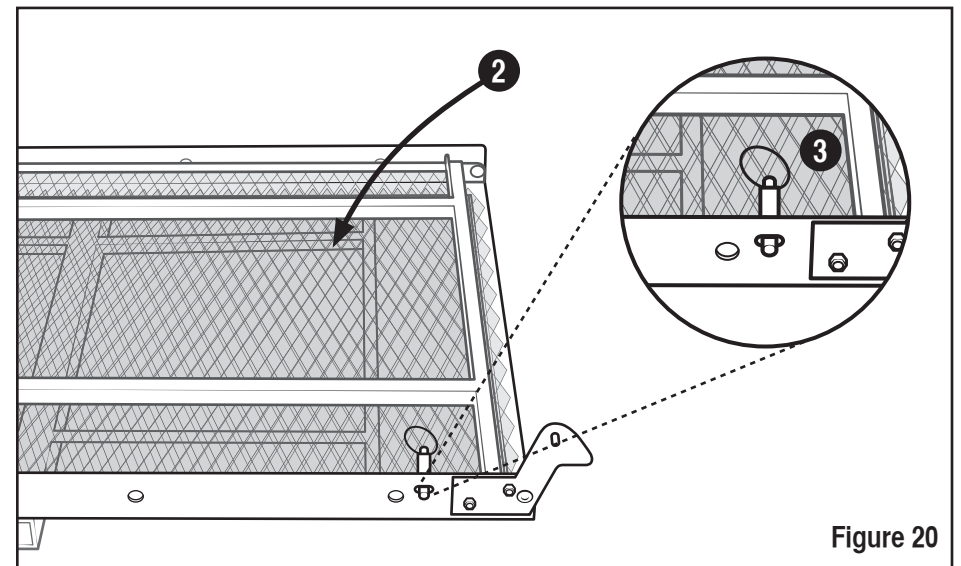


Positioning the Platform for Storage

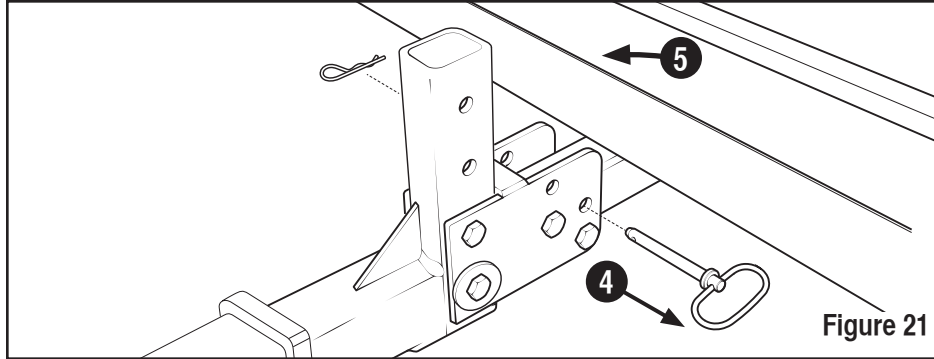
1. Pull back on the Ramp Latch Pin (**Figure 19**).



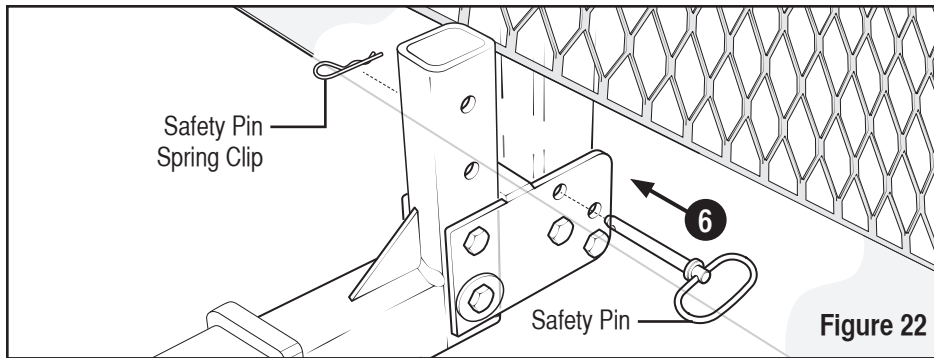
2. With both hands on the handle, slowly lower the Ramp onto the Carriage Platform (**Figure 20**).
3. When the Ramp is set in the Carriage Platform the Ramp Latch Pin will click into place. Check to ensure the Ramp Latch pin is securely set in place.



4. Remove the Safety Pin Spring Clip and Safety Pin (**Figure 21**).
5. With both hands, slowly lift the Carriage Platform up towards the vehicle.



6. When the Carriage Platform is in place reinsert the Safety Pin and Safety Pin Spring Clip (**Figure 22**).
7. Check that the platform is secured before traveling.



Maintenance and Care

- Routinely check nuts and bolts for tightness.
- Salt air and the chemicals applied to icy roads can be corrosive to the paint on the carrier. Wash the carrier often during winter conditions. If necessary, the carrier can be touched up with aerosol paint.

Return and Cancellation Policies

Return Policy

In an effort to keep our prices as low as possible, we do not build extra fees for returns into our prices. We are happy to accommodate customers who wish to return a product, however we must recover the costs we have incurred as a result. Please read our policy in its entirety before you purchase a carrier so that there is a mutual understanding when you make your purchase. Thank you!

When your new product arrives you have 10 days to inspect it for any defects or damage. If there are any defects or damage, the manufacturer will repair it at no cost to you, or replace it at the manufacturer's option. The item to be returned must be in new condition, with original packaging, instructions, and warranty material.

If the product is delivered and there are no defects in materials or workmanship, but you do not like it for any reason, you have 10 days following delivery to return it. Simply call our customer service number at 888-302-2774 and let us know what it is you want to return. We will send you a Return Authorization Release Form. Upon the return of your signed form we will issue a Return Authorization Number.

You the customer are responsible for packaging and shipping the product to us. If you do not have the original box one may be purchased from us, at the cost of the box plus shipping. Once received at the manufacturer's facility in like new condition, we will refund your purchase price of the product, less a 20% restocking fee and the original outbound freight charges. If original shipping fees cannot be established, we will use our current shipping rates.

Cancellation Policy

Our products are normally in stock and we try to ship the same day we receive your order. If you need to cancel an order for any reason, please notify us as soon as possible. If we have not shipped your order, there is no fee for cancellation, but if your order has already shipped, our return policy, as stated above, is in effect. This is due to the fact that the item must be re-packaged once the shipper has returned it to us, and we incur shipping charges outbound and inbound for shipping either way.

Limited Warranty

This product is warranted to be free from any defect in materials used in the manufacture, and/or workmanship at the time of its manufacture. The manufacturer's warranty period is one year unless otherwise specified at time of sale. Any part found to be defective during this period will be repaired or replaced at the discretion of EZ Carrier, LLC. Any part replaced under the warranty will be covered for the remaining period of the warranty. Any parts replaced under the warranty must be returned to EZ Carrier, LLC and will become the property of EZ Carrier, LLC. EZ Carrier, LLC may, at its discretion make any repairs or replacement of defective parts but such work shall not be deemed to be any admission of liability. EZ Carrier will bear labor charges for work carried out under the warranty. The warranty may not be transferred to subsequent owners for the balance of the remaining warranty period.

Conditions and Exclusions:

- The product must not have been used for competition, misused, inadequately maintained, or incorrectly serviced or maintained.
- The product must not have been subject to any modification, repair, or replacement other than as authorized by EZ Carrier, LLC.
- Defects caused by faulty adjustment, neglect, or repairs and alterations performed by anyone other than EZ Carrier, LLC are not covered by this warranty.
- Defects caused by the use of parts and accessories not authorized by EZ Carrier, LLC are not covered by this warranty.
- The warranty does not cover the cost of transportation of the product to or from EZ Carrier, LLC, or expenses incurred while the product is out of use and under warranty repairs.
- The warranty does not cover product used on a commercial basis.
- The warranty does not cover defects, which have not been reported to EZ Carrier, LLC within the immediate discovery of the defect.
- Should a warranty claim become necessary, EZ Carrier, LLC shall not be liable for loss of use, inconvenience, lost time, commercial losses or other incidental or consequential damages.

- If for any reason, the carrier does not appear to be in good and sound condition, it must not be used. Any loss as a direct or indirect result of the use of the carrier in a compromised condition is the sole liability of the user.
- Paint finish will diminish, scratch, and chip over a period of time due to normal use and therefore paint is not covered under warranty, nor is rust that has resulted from exposed surfaces.
- Must present copy of this paper work along with a copy of proof of purchase such as a copy of credit card statement or such at the time of warranty work.
- Any statement, condition, representation, description or warranty otherwise contained in any other publication or advertisement shall not be construed as enlarging, varying or overriding anything contained herein.
- EZ Carrier, LLC reserves the right to make alterations or improvements without notification to any model without obligation to do so to products already sold.

Liability Disclaimer:

The purchaser of the carrier is solely responsible for the installation, use, and the securing of any item being carried. In no event shall EZ Carrier, LLC be liable for any damages whatsoever, including but not limited to any direct, indirect, special, consequential, punitive or incidental damages, or damages for loss of use, profit, or other intangibles, or the cost of procurement of substitute goods and services, arising out of or related to the use, inability to use, unauthorized use, performance or nonperformance of our products. Even if EZ Carrier, LLC has been advised previously of the possibility of such damages and whether such damages arise in contract, negligence, tort, under statute, in equity, at law or otherwise. In no circumstance shall EZ Carrier be liable for any losses or damages whatsoever. All matters are interpreted under Oklahoma law.