

RGMT

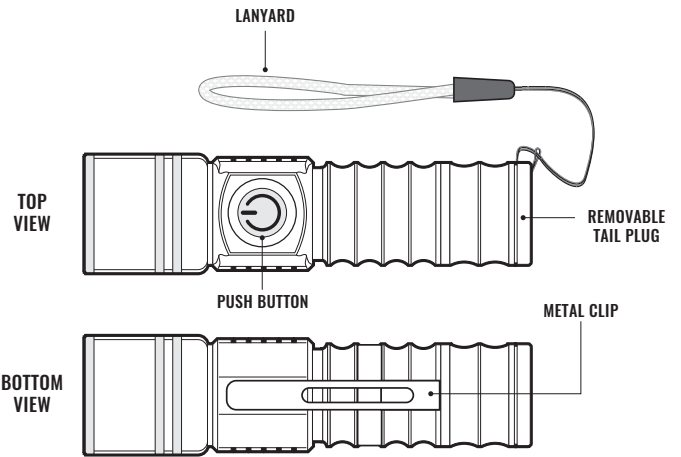
RECHARGEABLE LED TORCH

INSTRUCTION MANUAL

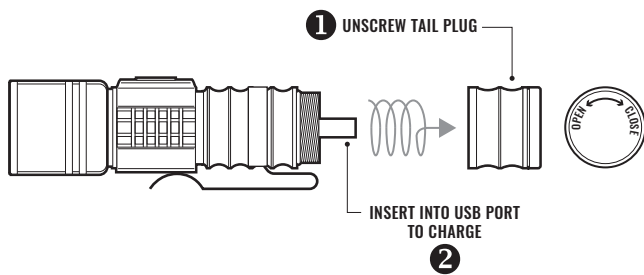


EN

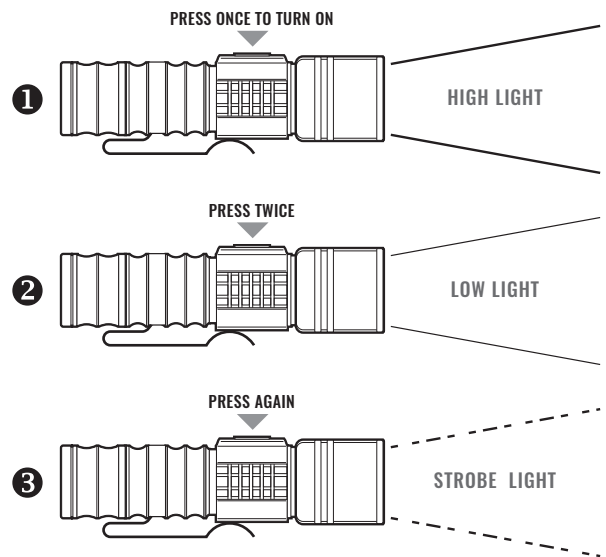
FOR MORE DETAILS ON OPERATING THIS TOOL
PLEASE REFER TO THE ENCLOSED BOOKLET OR VISIT :
IM.RGMT.CO



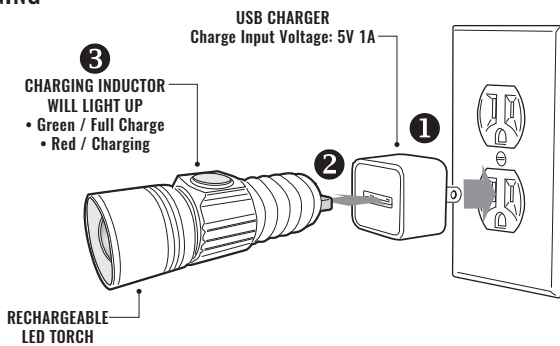
1. CHARGING YOUR TORCH



SWITCH MODE



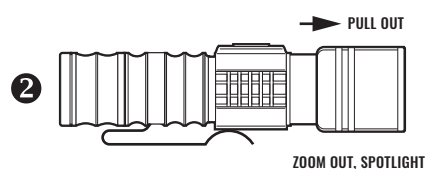
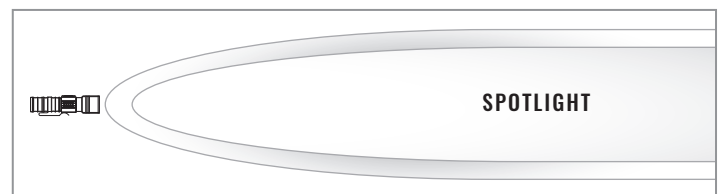
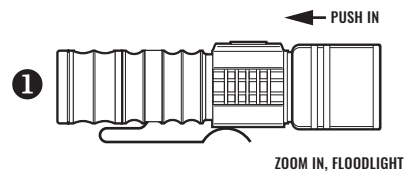
CHARGING



CAUTION

1. Please charge no more than 10 hours at a time.
2. Do not operate light when it is charging.

FOCUSING WITH FLOODLIGHT AND SPOTLIGHT



CHARGING INSTRUCTION

1. Rotate the tail plug out when charging and insert it directly in to 5V DC adapter. During charging, the Red light under the push button will light up and when it is fully charged, the green LED will light up.
2. The switch mode is High-Low-Strobe-OFF.
3. Life of LED is more than 10000 hours.
4. The USB input voltage is 5V. You can find many ways to charge the torch easily.
 - Computer USB output port
 - Power Bank
 - Mobile Phone adapter
 - Car Charger

SPECIFICATION

- Waterproof Level : IPX 4
- High Quality XPE LED
- Luminous Flux
Low : 100 Lumens, High : 300 Lumens
- Runtime : Low 6 Hrs., High 3 Hrs.
- Battery : Rechargeable Built-in Battery
- Product size : Ø26mm x 92mm
- Net Weight : 61g
- Charge Input Voltage : 5V 1A