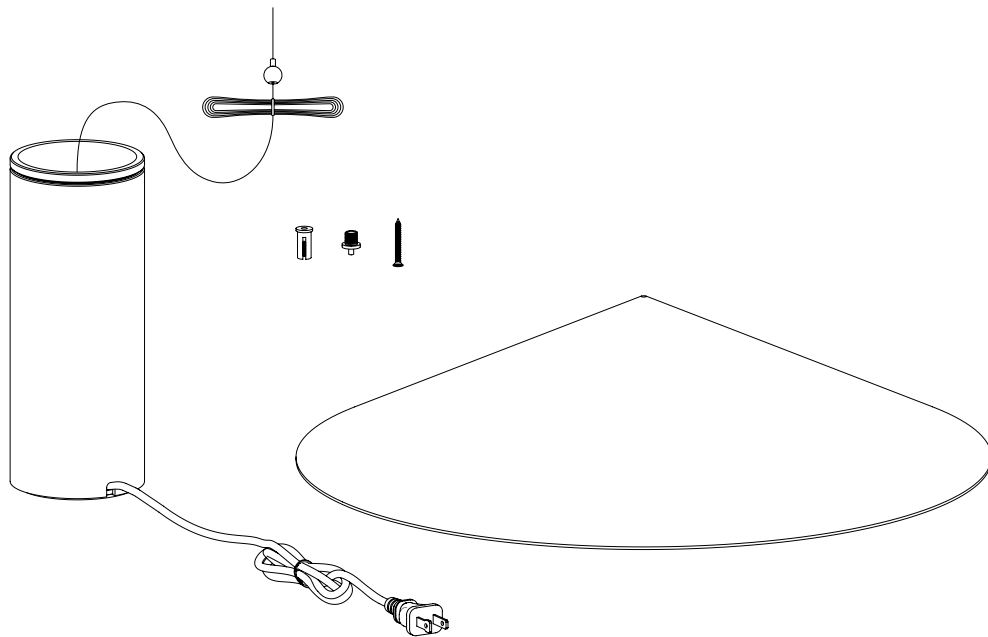


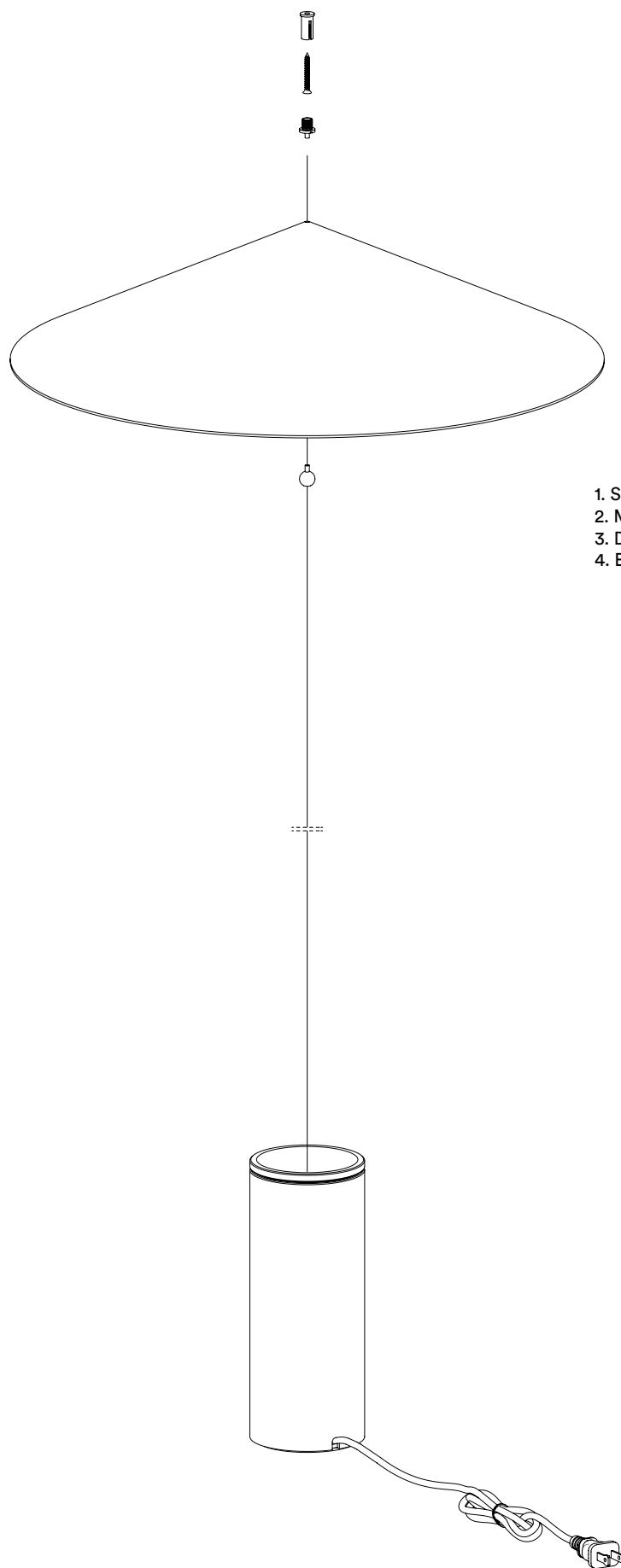
anony

408 - 9 Davies Ave.
Toronto, ON
M4M 2A6
+1 416 994 9617
sales@anony.ca



anony

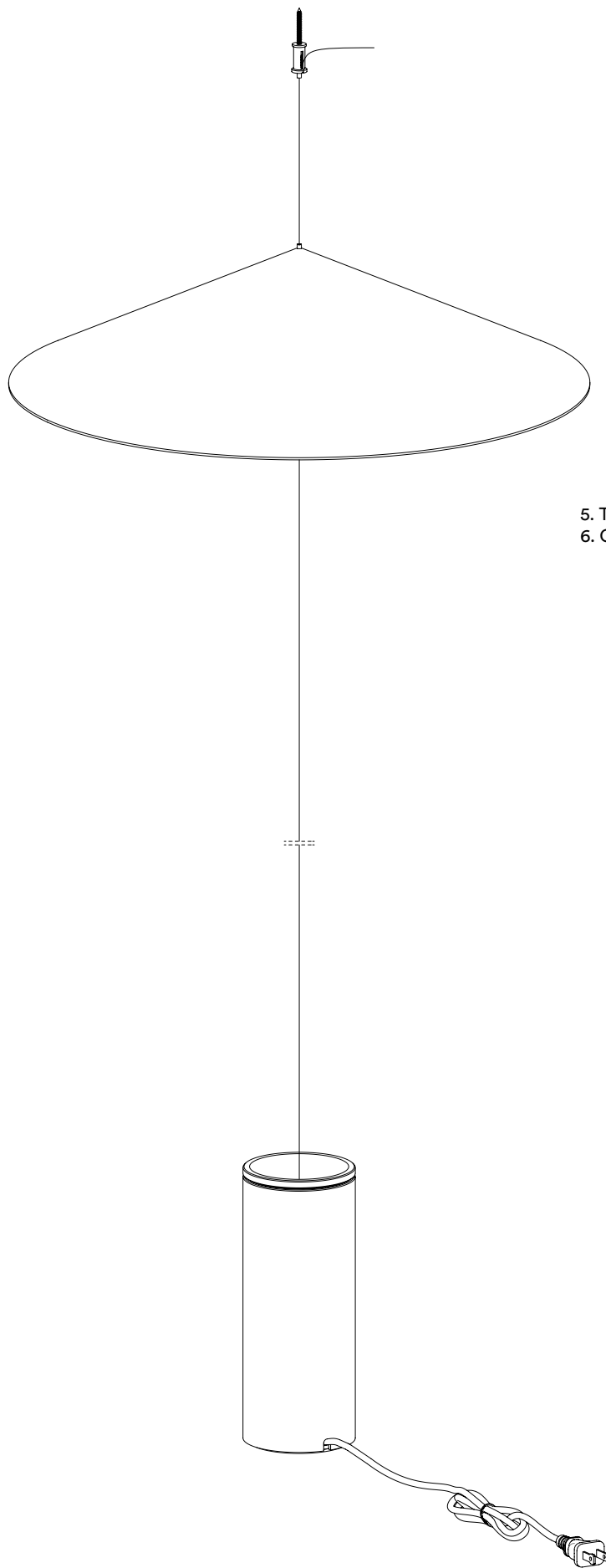
408 - 9 Davies Ave.
Toronto, ON
M4M 2A6
+1 416 994 9617
sales@anony.ca



1. String shade onto cable
2. Mark point onto ceiling
3. Drill gripper body onto ceiling
4. Ensure screw does not contact metal

anony

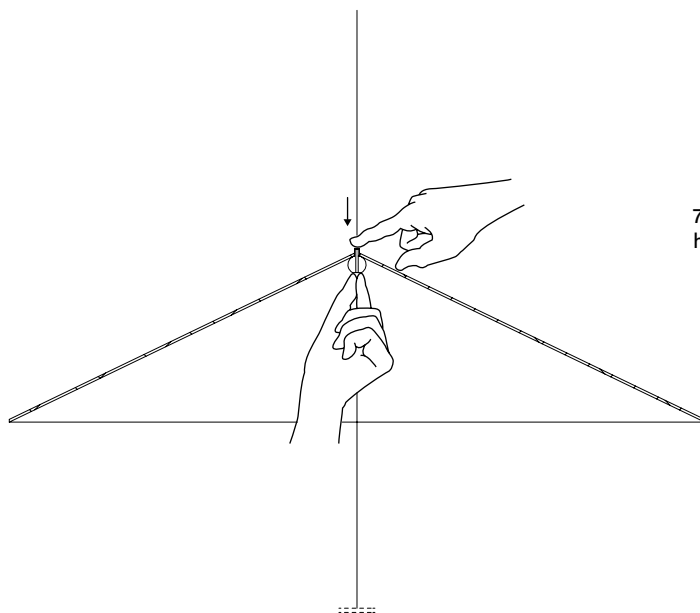
408 - 9 Davies Ave.
Toronto, ON
M4M 2A6
+1 416 994 9617
sales@anony.ca



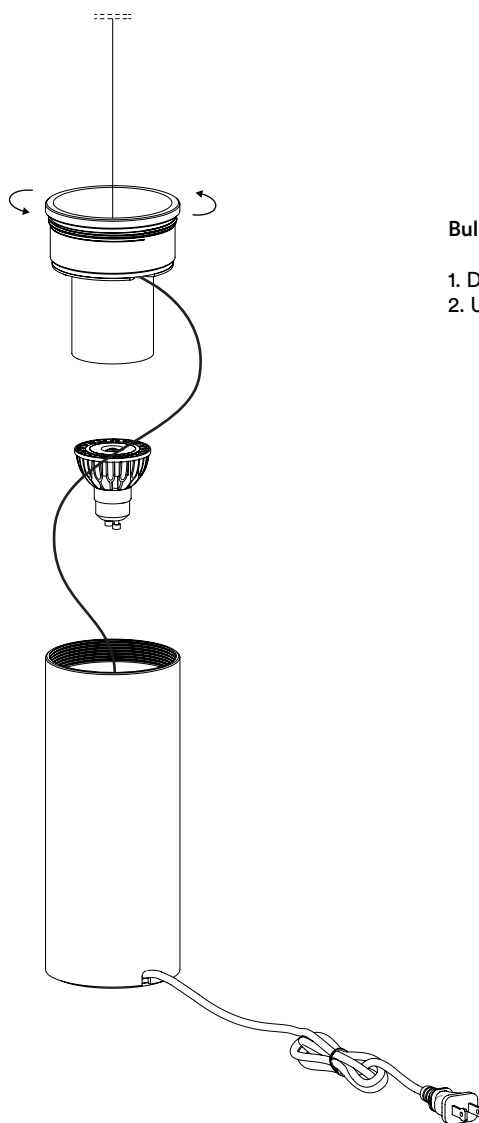
- 5. Tighten cable until taut
- 6. Connect power

anony

408 - 9 Davies Ave.
Toronto, ON
M4M 2A6
+1 416 994 9617
sales@anony.ca



7. Press gripper pin to adjust shade height



Bulb replacement

1. Disconnect power
2. Undo lid to change bulb