

A-3533 / t-3533

493035331

Metallic spotlight with aluminium head. Shade can rotate 330° and be angled up to 90° from the vertical. The same model can be installed as a wall light or as a ceiling light.

There is the possibility of choosing between surface canopy or recessed canopy. (without junction box: The recessed option requires remote driver and drill on dry wall. Remote driver included.)

Foco metálico con cabezal de aluminio. La pantalla se orienta 330° y se inclina hasta 90°. El mismo modelo se puede instalar en la pared (aplique) o en el techo (plafón).

Hay la posibilidad de escoger entre florón de superficie o florón empotrado. (Para montaje sin caja de conexiones: La opción de florón empotrado requiere un driver remoto y un orificio en pared. Driver incluido.)



Warning / Atención

PRODUCT IS TO BE INSTALLED BY A QUALIFIED ELECTRICIAN ONLY
LE PRODUIT DOIT ÊTRE INSTALLÉ PAR UN ÉLECTRICIEN QUALIFIÉ UNIQUEMENT
EL PRODUCTO DEBE SER INSTALADO SOLO POR UN ELECTRICISTA CUALIFICADO

The light source of this luminaire is not replaceable. Once the light source's lifecycle ends, you must contact the manufacturer for repairs.
(CE only: 230V / P.F Tends to 1)

WE RECOMMEND READING THE INSTRUCTIONS ENTIRELY BEFORE STARTING YOUR INSTALLATION
PLEASE SAVE THESE INSTRUCTIONS SO THAT YOU CAN REFER TO THEM AT A LATER TIME

* Make sure the power has been disconnected before installing the fixture.

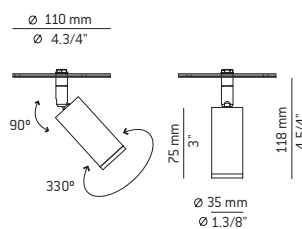
* For indoor use only.

* Do not use alcohol or solvents to clean the lamp.

* For your convenience, assembly by two people is recommended.

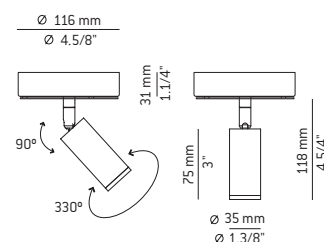
Recessed canopy
Florón empotrado

t-3740R

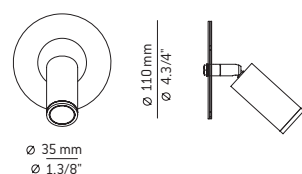


Surface canopy
Florón de superficie

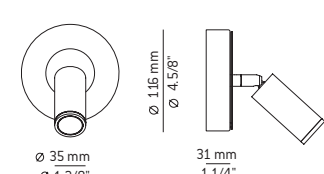
t-3740S



t-3740R



t-3740S



UL 1598 ELECTRICAL INSTRUCTIONS FOR FLUSHMOUNTS, WALL SCONCES AND PENDANTS

SAVE THESE INSTRUCTIONS. MIN 90C SUPPLY CONDUCTORS. CAUTION-RISK OF FIRE. USE STATED WATT OR SMALLER. CAUTION-RISK OF SHOCK. DISCONNECT POWER BEFORE SERVICING. TO REDUCE THE RISK OF A BURN DURING RELAMPING, ALLOW THE BULB TO COOL DOWN. SUITABLE FOR DAMP LOCATION. THIS PRODUCT MUST BE INSTALLED IN ACCORDANCE WITH THE APPLICABLE INSTALLATION CODE BY A PERSON FAMILIAR WITH THE CONSTRUCTION AND OPERATION OF THE PRODUCT AND THE HAZARD INVOLVED.

WARNING: ALL WIRES AND WIRE NUTS USED IN THE INSTALLATION MUST BE RATED 195F (90°C). FOR INDOOR USE ONLY. THESE PRODUCT MUST BE INSTALLED BY A QUALIFIED ELECTRICIAN.

Assembly instructions / Instrucciones

1 - Pull the metal base (A) to separate it from the mounting bracket (B). This base is held by three magnets (C), there is no danger of breakage but be careful to not lose them.
Figure 1.

To install wall light with **recessed canopy**, go to **step 2**.

To install wall light with **surface canopy**, go to **step 4**.

1 - Tirar de la base metálica (A) para separarla de la sujeción (B). Esta base esta sujeta por tres imanes (C), no hay peligro de rotura pero si de pérdida.
Figura 1.

Para instalar aplique con **florón empotrado**, ir al **paso 2**.

Para instalar aplique con **florón de superficie**, ir al **paso 4**.

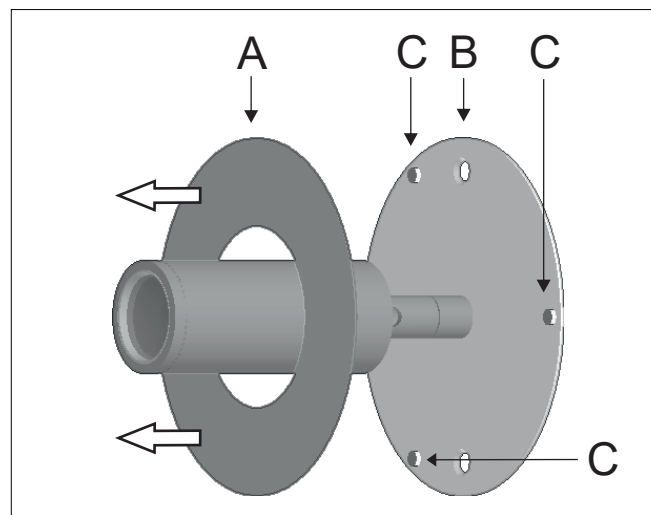


Figure 1

RECESSED CANOPY ONLY / SÓLO PARA FLORÓN EMPOTRADO

2A - **WORLDWIDE except USA and CANADA**

Make sure the hole in the wall (E) measures at least $\varnothing 55\text{mm}$. Make the electrical connections using the driver supplied (F). Leave the driver inside the hole. Fix the mounting bracket (B) to the wall.

Attention: Respect the polarity (+ +) (- -) and make sure the red wire is connected to the red wire. Figure 2A.

2A - **INTERNACIONAL excepto USA y CANADA**

Asegurarse que el orificio (E) de la pared mide $\varnothing 55\text{mm}$. Realizar las conexiones eléctricas utilizando el driver suministrado (F) y dejarlo en el interior del orificio. Fijar la sujeción (B) a la pared.

Atención: Respetar siempre la polaridad (+ +) (- -) y asegurarse que el cable rojo está conectado al cable rojo. Figura 2A.

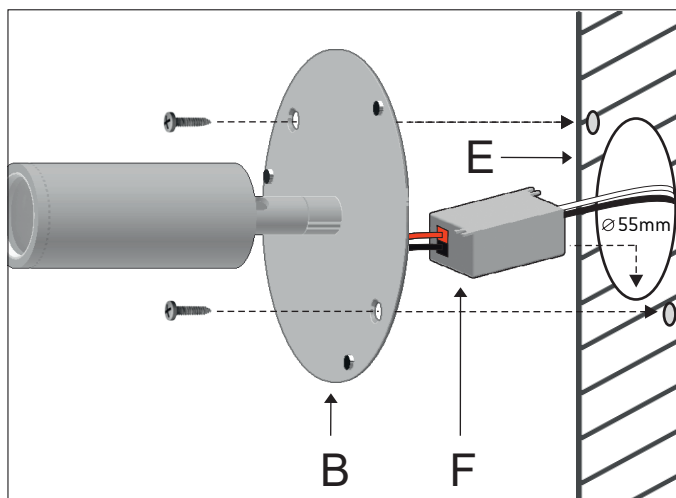


Figure 2A

2B - **ONLY for USA y CANADA**

Make the electrical connections within the junction box (E) using the driver supplied (F) and attach the mounting bracket (B) to the wall.

Attention: Respect the polarity (+ +) (- -) and make sure the red wire is connected to the red wire. Figure 2B.

2B - **SOLAMENTE para USA y CANADA**

Realizar las conexiones eléctricas dentro de la caja de conexiones (E) utilizando el driver suministrado (F) y fijar la sujeción a la pared.

Atención: Respetar siempre la polaridad (+ +) (- -) y asegurarse que el cable rojo está conectado al cable rojo. Figura 2B.

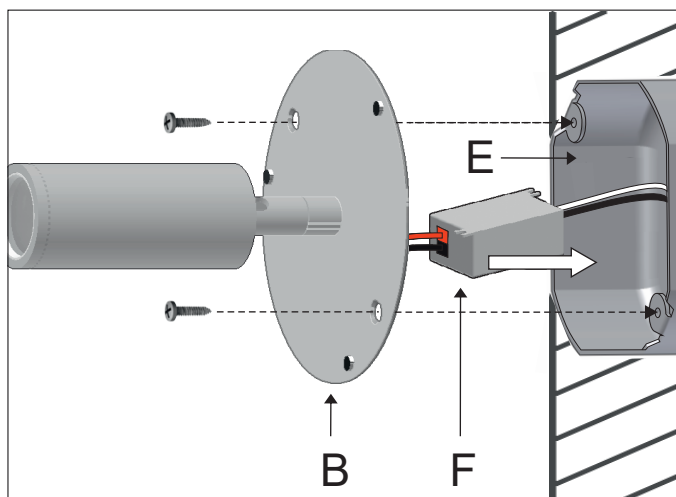


Figure 2B

3 - Place the metal base back (A) on the mounting bracket (B) using the magnets (C).
Figure 3.

3 - Volver a colocar la base metálica (A) para unirla de nuevo a la sujeción (B) mediante los imanes (C).
Figure 3.

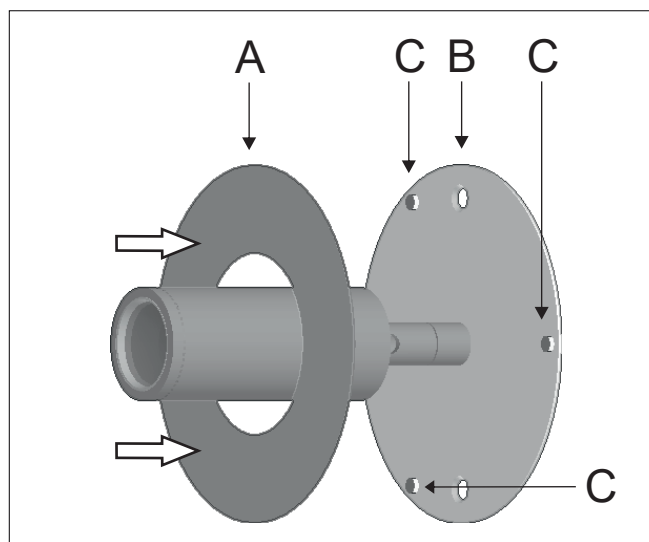


Figure 3

SURFACE CANOPY ONLY / SÓLO PARA FLORÓN DE SUPERFÍCIE

4 - Release the side screw (H) to remove the mounting bracket (J) from the canopy (K). Then release the nuts (M) to release the front screws (L) from the canopy (K).
Figure 4.

4 - Desenroscar el espárrago lateral (H) para liberar la sujeción (J) del florón (K). A continuación desenroscar las tuercas (M) para liberar los tornillos frontales (L) del florón (K).
Figura 4

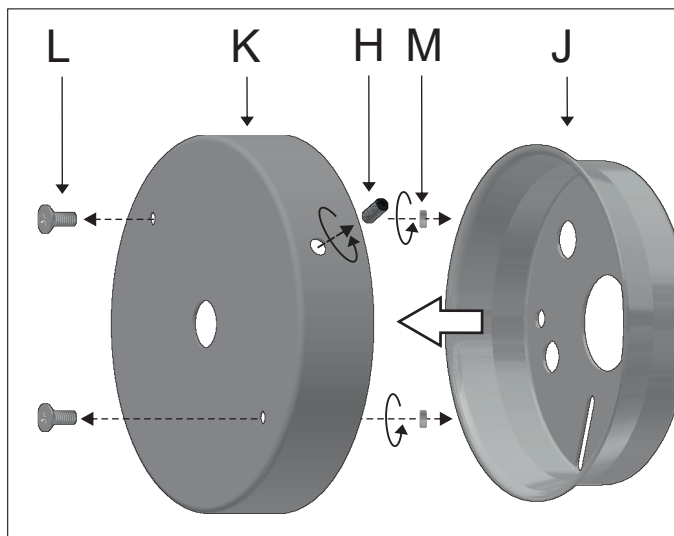


Figure 4

5 - Attach the mounting bracket (B) to the canopy (K) using the front screws (L) and the nuts (M).
Figure 5.

5 - Fijar la sujeción (B) al florón (K) con los tornillos frontales (L) y las tuercas (M).
Figura 5.

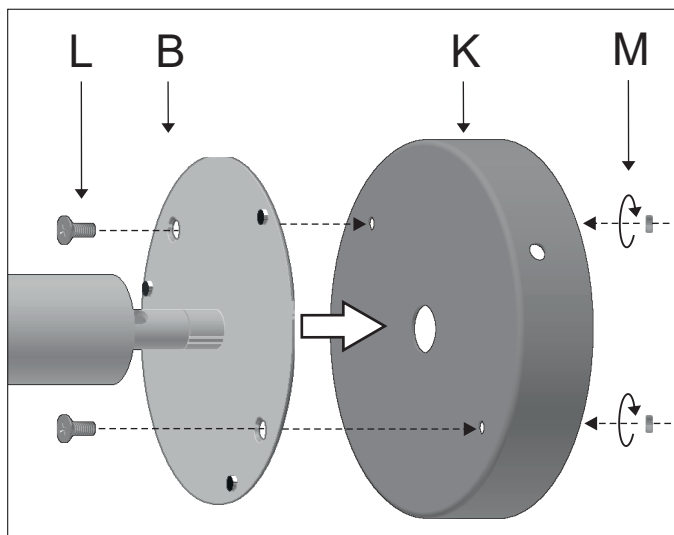


Figure 5

6 - Make the electrical connections following step 2 and attach the mounting bracket (J) to the wall. Attach the canopy (K) to the mounting bracket (J) with the side screw (H). Place the metal base (A) back removed in the step 1.
Figure 6.

6 - Realizar las conexiones eléctricas siguiendo el paso 2 y fijar la sujeción (J) a la pared. Fijar el florón (K) a la sujeción (J) con el espárrago lateral (H). Colocar de nuevo la base metálica (A) retirada en el paso 1.
Figura 6.

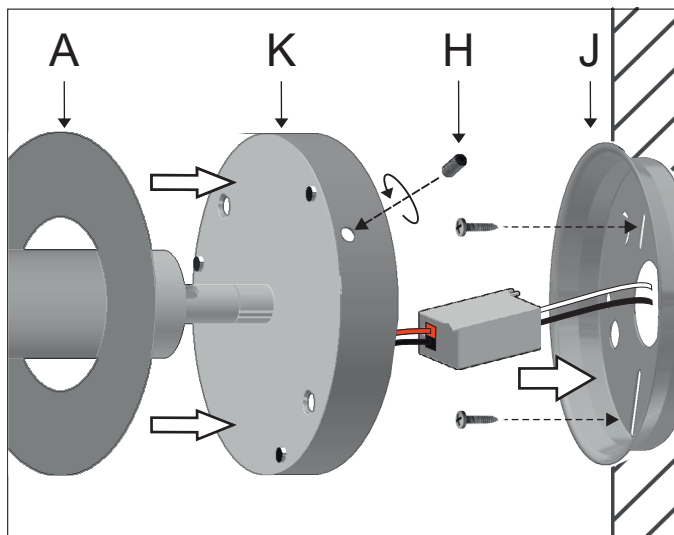


Figure 6