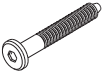


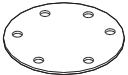
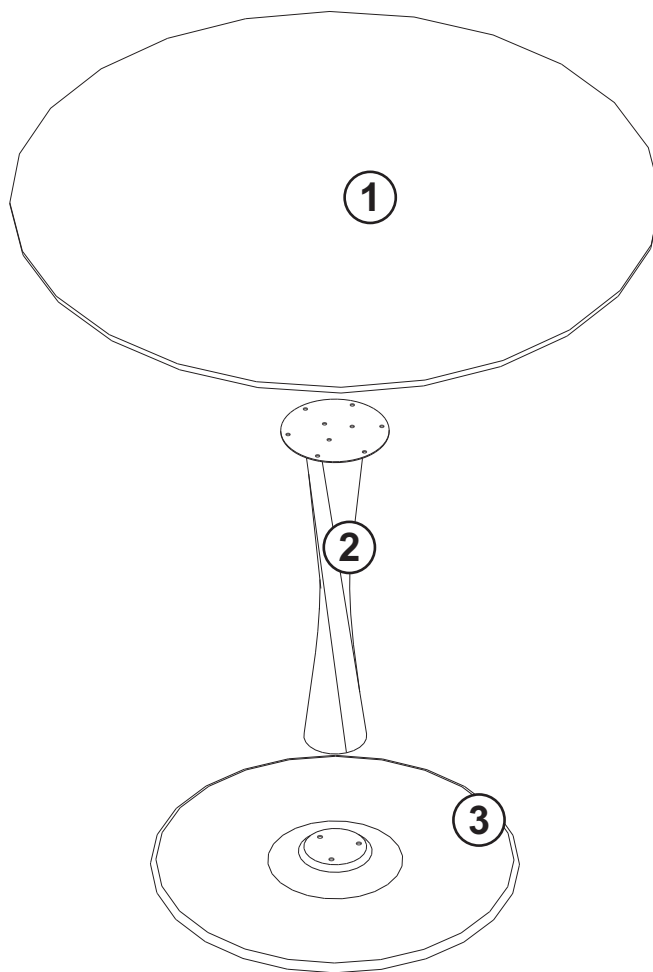
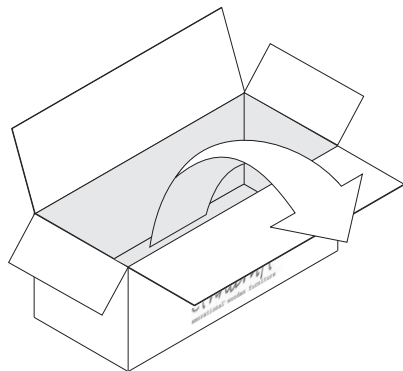
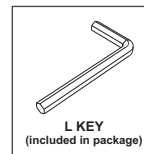


50012 OAK TORSION DINING TABLE ASSEMBLY INSTRUCTION FOR TABLE INSTALLATION

HARDWARE ENCLOSED

			
JCBC SCREW M8x80 (3X)	JCBC SCREW M8x16 (9X)	METAL PLATE (SMALL) (1X)	METAL PLATE (LARGE) (1X)

TOOL



IN YOUR PACKAGE :

ASSEMBLY INSTRUCTION
HARDWARES (AS LISTED ABOVE)

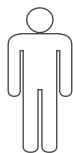
PARTS TO BE INSTALLED

1. TABLE TOP 1 pc
2. CENTER LEG 1 pc
3. LEG BASE 1pc

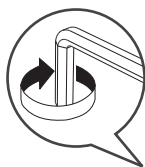
SYMBOLS



DIRECTION

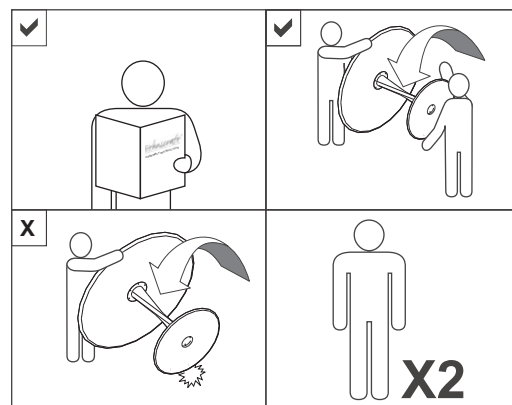


NUMBER OF
PERSONS NEEDED



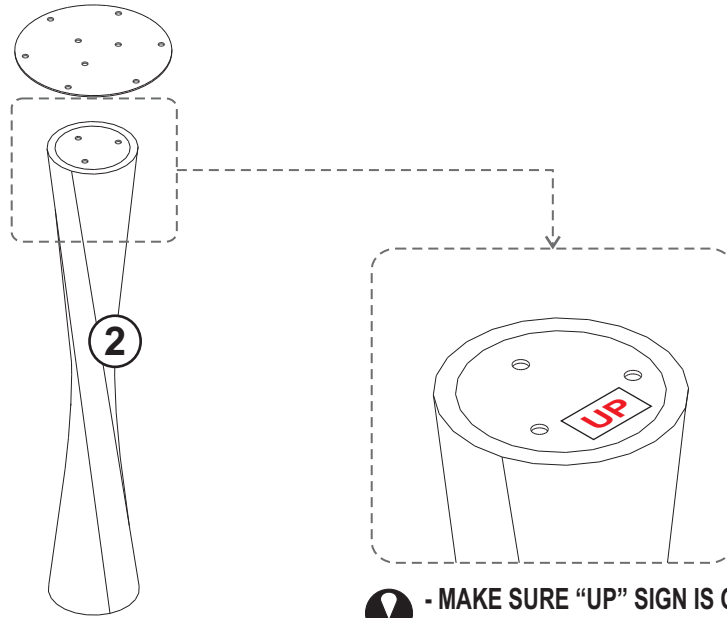
USE L KEY
TO TIGHTEN

NOTICE

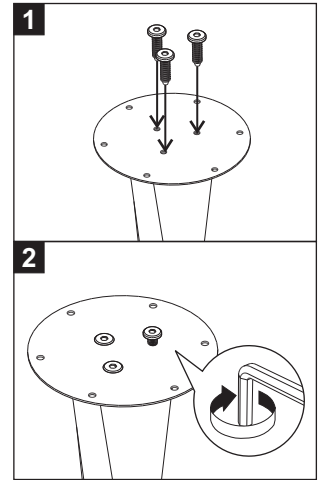


50012 OAK TORSION DINING TABLE ASSEMBLY INSTRUCTION FOR TABLE INSTALLATION

A INSTALLING METAL PLATE TO THE CENTER LEG

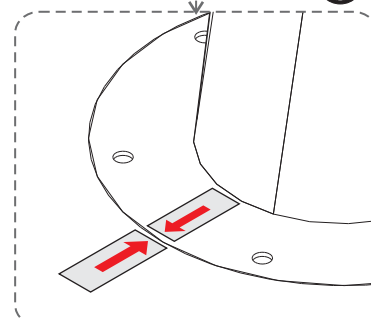
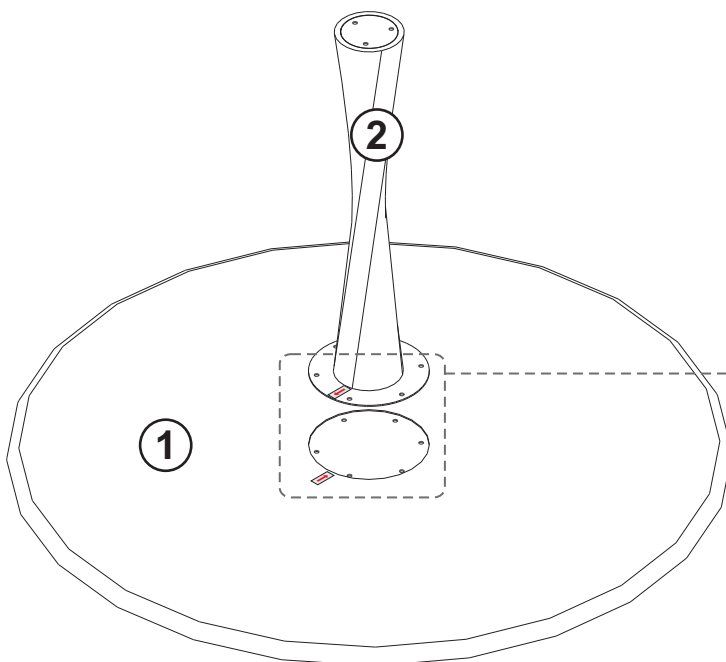


- ! - MAKE SURE "UP" SIGN IS ON TOP / ABOVE
- USE THE SCREW M8x16



! TIGHTEN FULLY

B INSTALLING CENTER LEG TO TOP TABLE

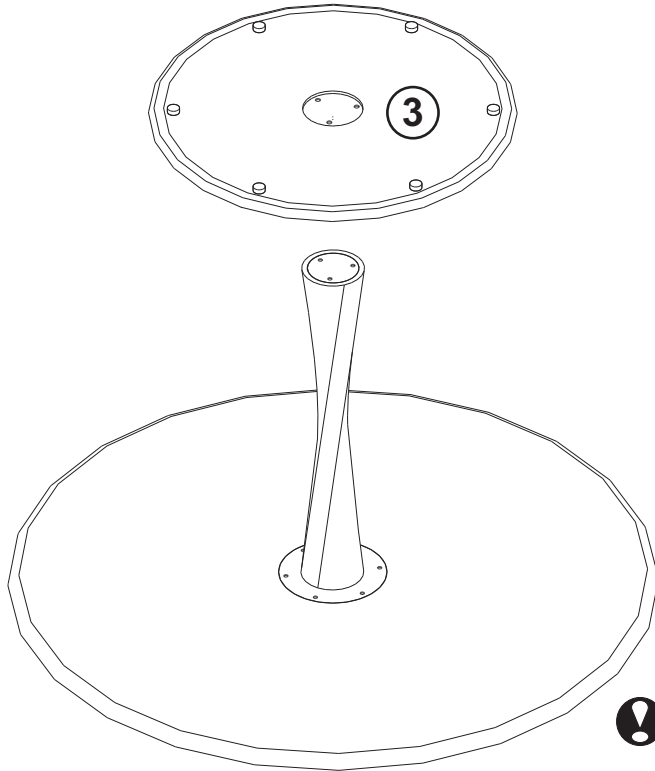


! TIGHTEN FULLY

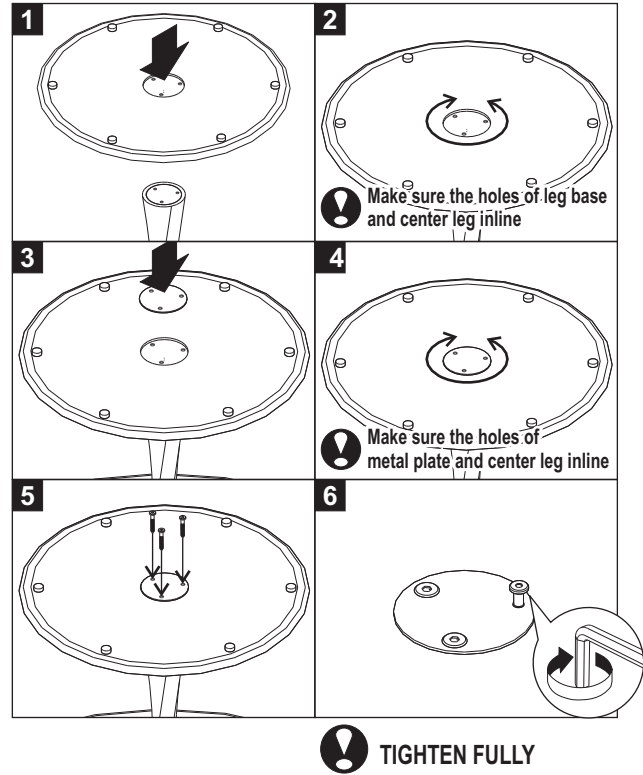
- ! - ALWAYS REFER THE STICKER
- USE THE SCREW M8x16

50012 OAK TORSION DINING TABLE ASSEMBLY INSTRUCTION FOR TABLE INSTALLATION

C INSTALLING LEG BASE

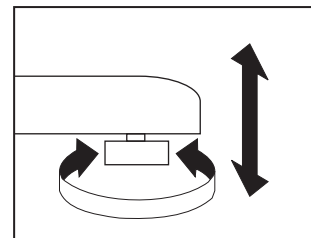
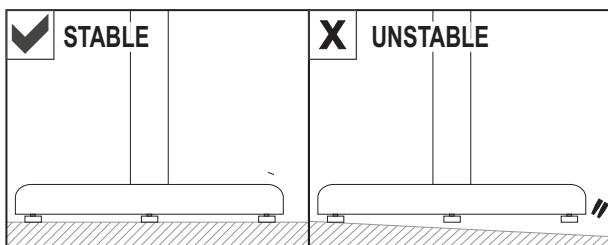
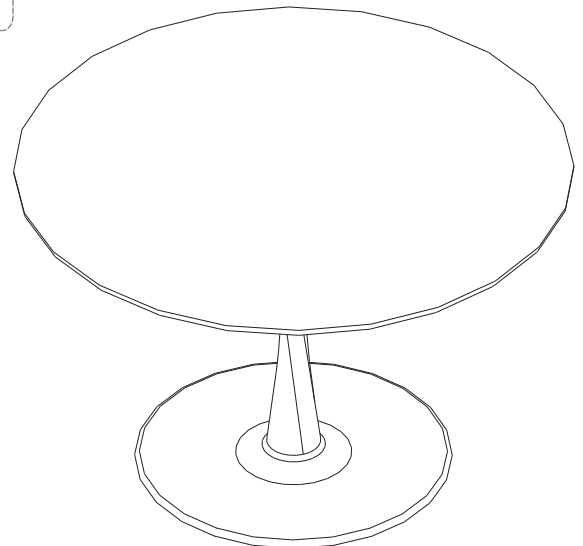
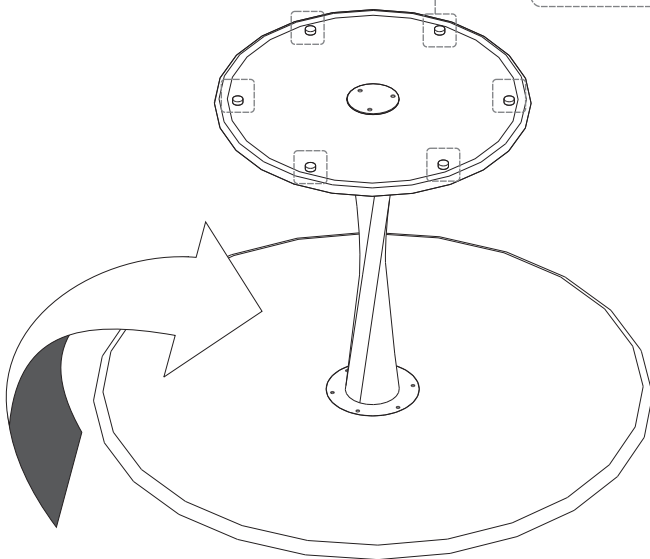


! USE THE SCREW M8x80



D ADJUST LEVELER

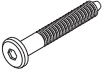


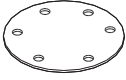

LEVELER / RUBBER PADS POSITION



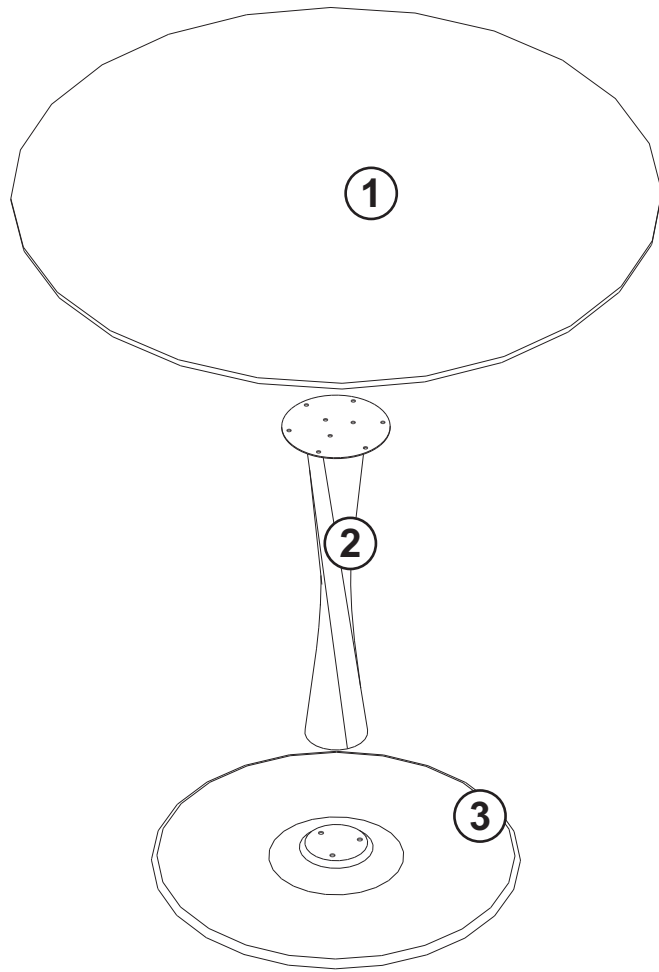
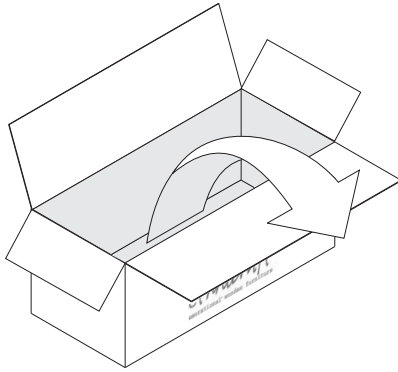
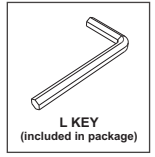
NOTE :
THIS IS A COMPULSORY ACTION TO MAKE SURE ALL OF THE RUBBER PADS TOUCH THE GROUND!

50011 - 50013 OAK TORSION DINING TABLE
 ASSEMBLY INSTRUCTION FOR TABLE INSTALLATION

HARDWARE ENCLOSED

				
JCBC SCREW M8x50 (3X)	JCBC SCREW M8x16 (9X)	METAL PLATE (SMALL) (1X)	METAL PLATE (LARGE) (1X)	RUBBER PAD (6X)

TOOL



IN YOUR PACKAGE :

ASSEMBLY INSTRUCTION
 HARDWARES (AS LISTED ABOVE)

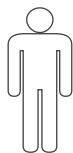
PARTS TO BE INSTALLED

- 1. TABLE TOP 1 pc
- 2. CENTER LEG 1 pc
- 3. LEG BASE 1pc

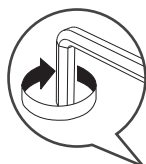
SYMBOLS



DIRECTION



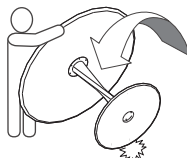



NUMBER OF PERSONS NEEDED



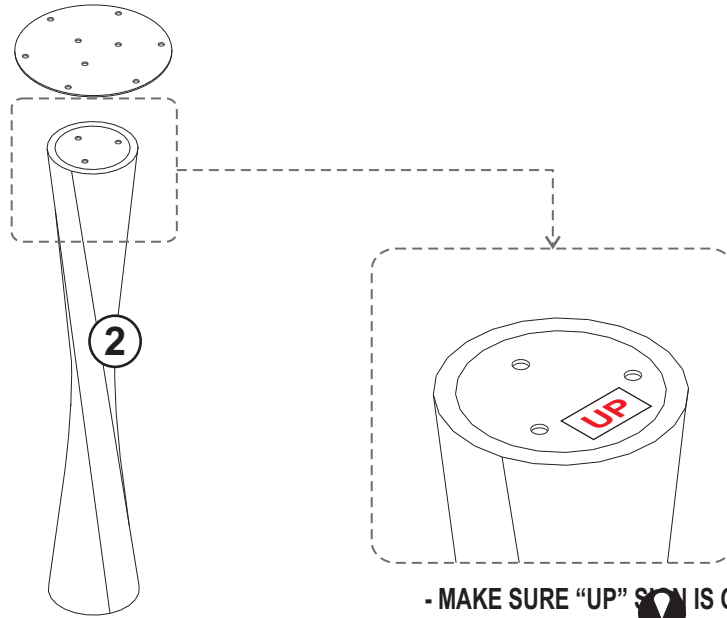
USE L KEY TO TIGHTEN

NOTICE

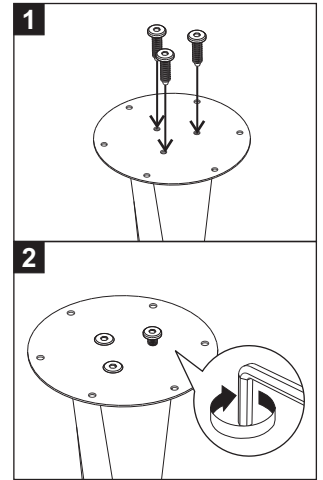
✓ 	✓ 
X 	 X2

50011 - 50013 OAK TORSION DINING TABLE
 ASSEMBLY INSTRUCTION FOR TABLE INSTALLATION

A INSTALLING METAL PLATE TO THE CENTER LEG

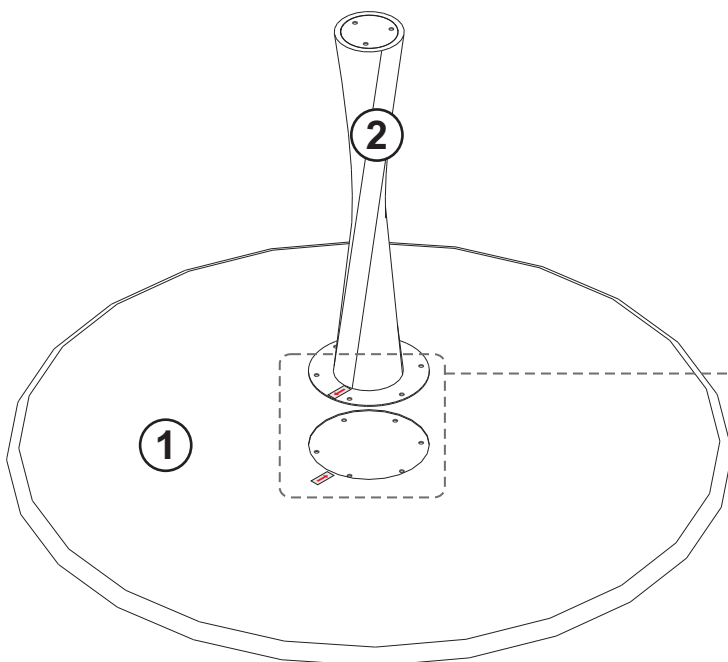


- MAKE SURE "UP" SIDE IS ON TOP / ABOVE
 - USE THE SCREW M8x16

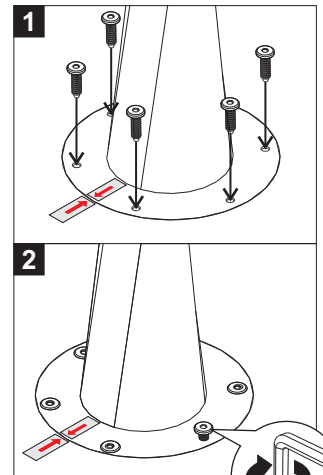


! TIGHTEN FULLY

B INSTALLING CENTER LEG TO TOP TABLE



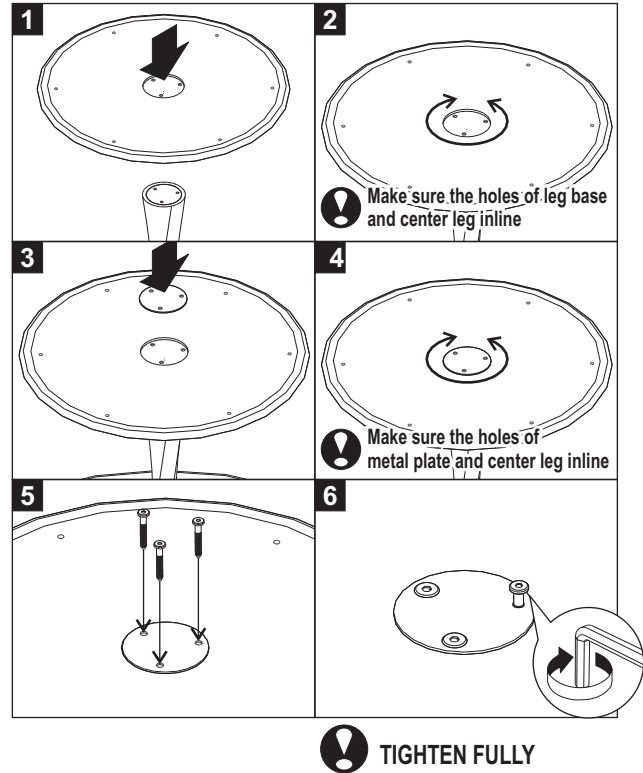
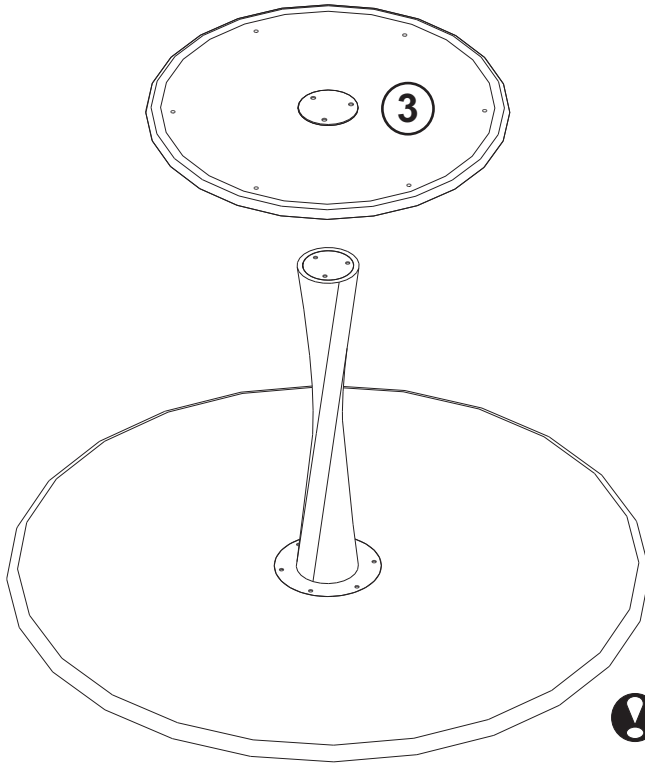
**! - ALWAYS REFER THE STICKER
 - USE THE SCREW M8x16**



! TIGHTEN FULLY

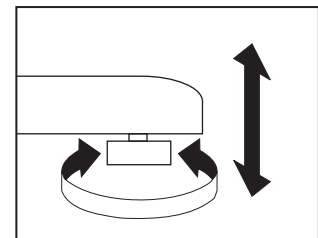
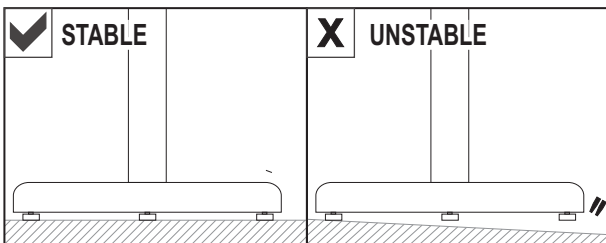
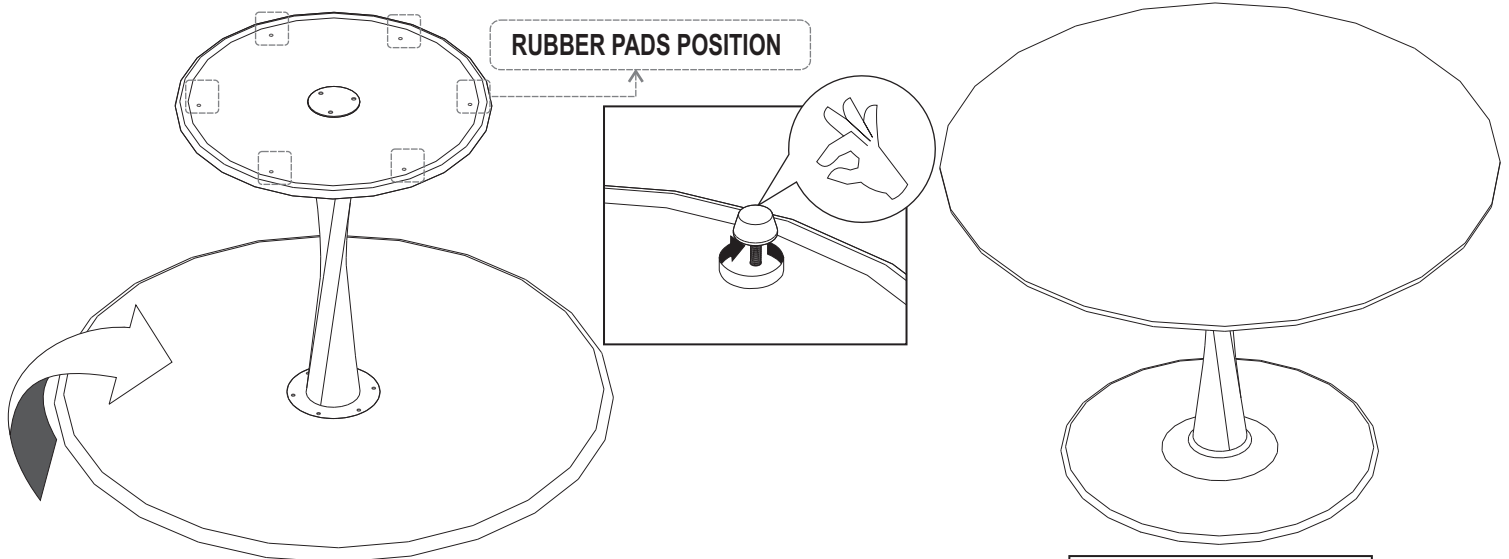
50011 - 50013 OAK TORSION DINING TABLE
 ASSEMBLY INSTRUCTION FOR TABLE INSTALLATION

C INSTALLING LEG BASE



! USE THE SCREW M8x50

D ADJUST LEVELER



NOTE :
 THIS IS A COMPULSORY ACTION TO MAKE SURE
 ALL OF THE RUBBER PADS TOUCH THE GROUND!