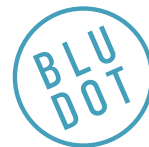
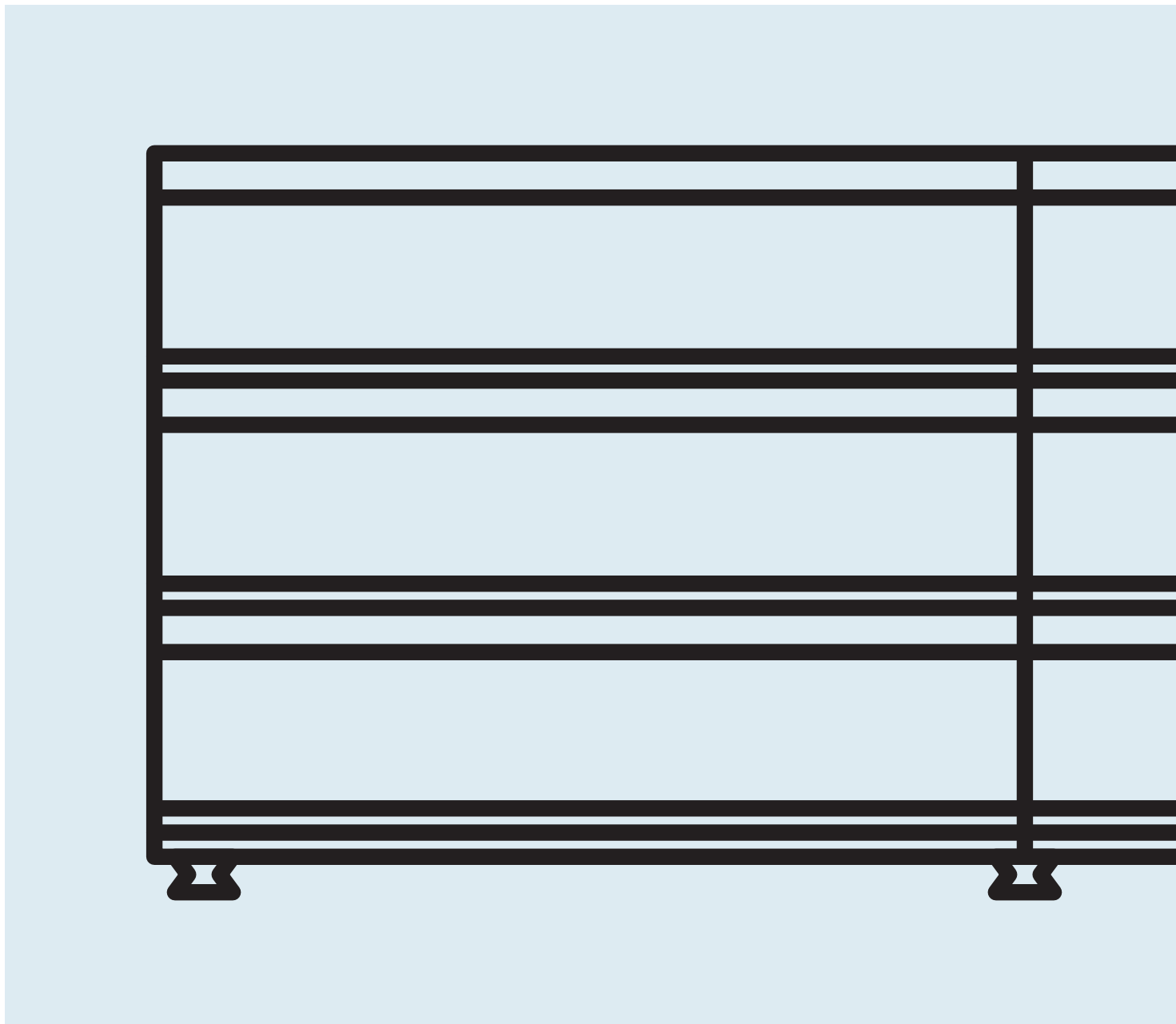


Superchoice Collection



DESIGNED IN 2017

ASSEMBLY NOTES | REV 08



CONTOUR DU JOUR.

Uncomplicated storage for messy times. Beveled relief drawer pulls are set off by a matte painted finish.

NEED A HAND?

Contact us at service@bludot.com or **844.425.8368** for assistance.

Parts & Hardware

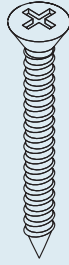


QTY

4*

QTY

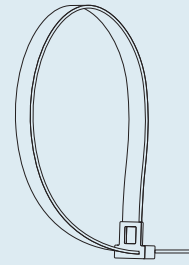
PT. 1220



4*

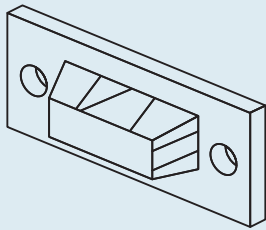
QTY

PT. 1221



2*

PT. 8042

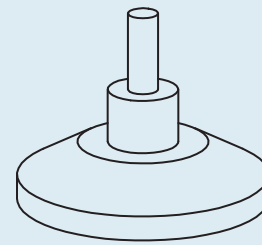


QTY

4*

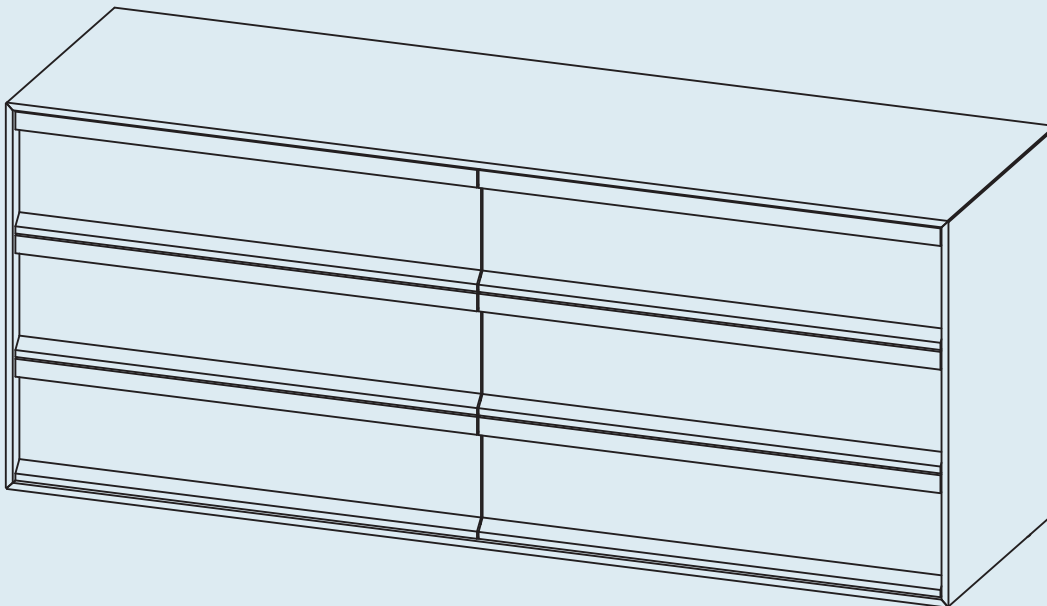
QTY

PT. 8041



6*

Foot



QTY

1

Case

*The number of feet and anti-tip hardware included may vary depending on the size of the case.

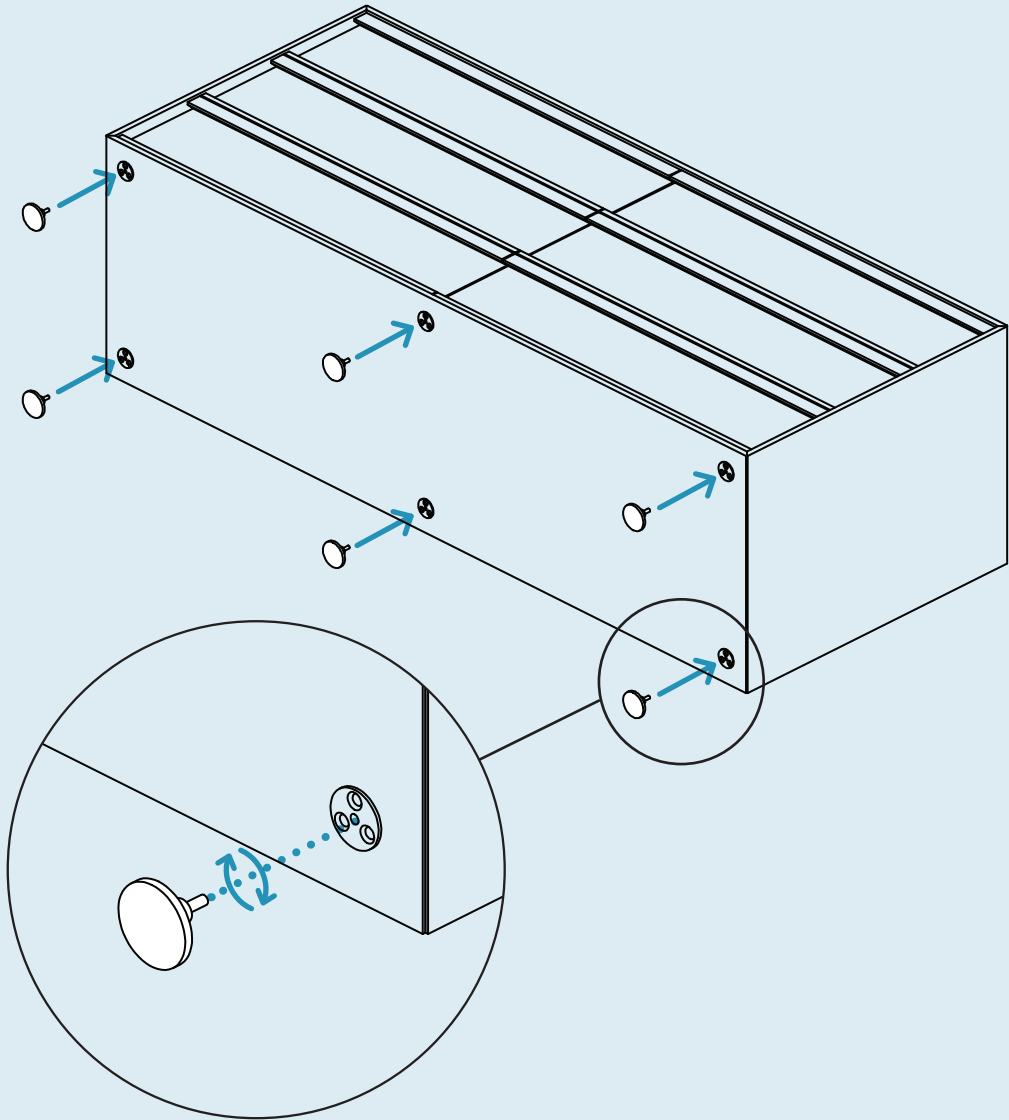
Step 01

ATTACH THE FEET.

Attach adjustable feet as shown. After the feet have been attached have a second person help lift and bring the case upright to prevent damage to feet.

Note: Adjust the feet to make the case level before use. Cases that are not level may have drawers and/or doors that mis-align or rub against other components.

See last page in assembly instructions for adjustment details if your drawers or doors are rubbing against other components.

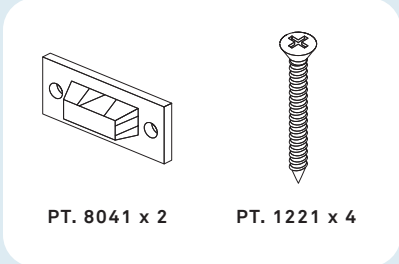
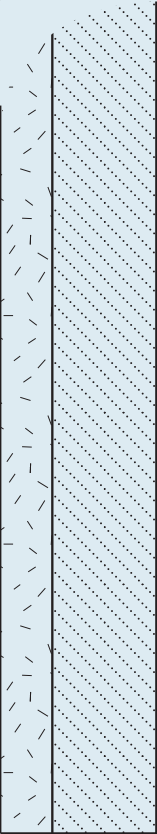
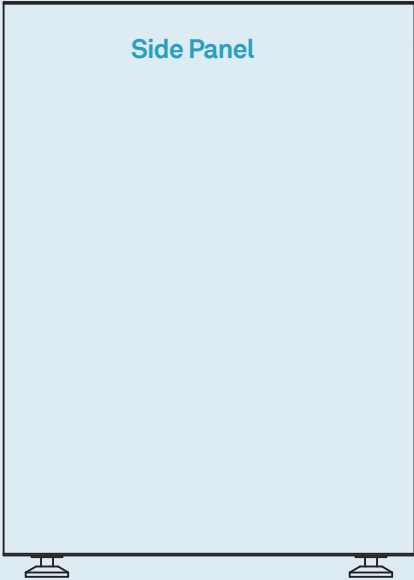
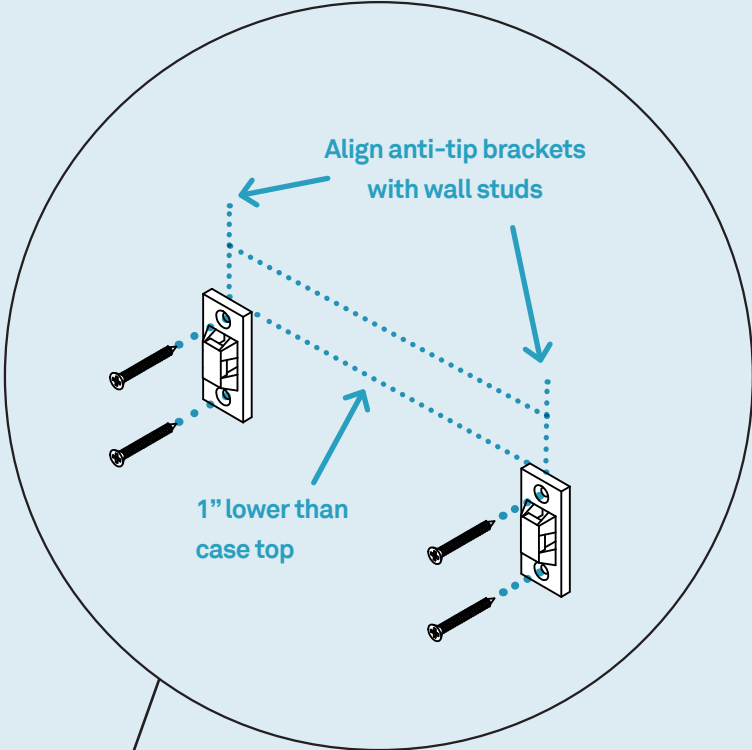


Step 02

ATTACH ANTI-TIP BRACKETS TO THE WALL.

Install anti-tip brackets to wall stud 1-inch below case top panel height.

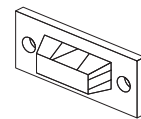
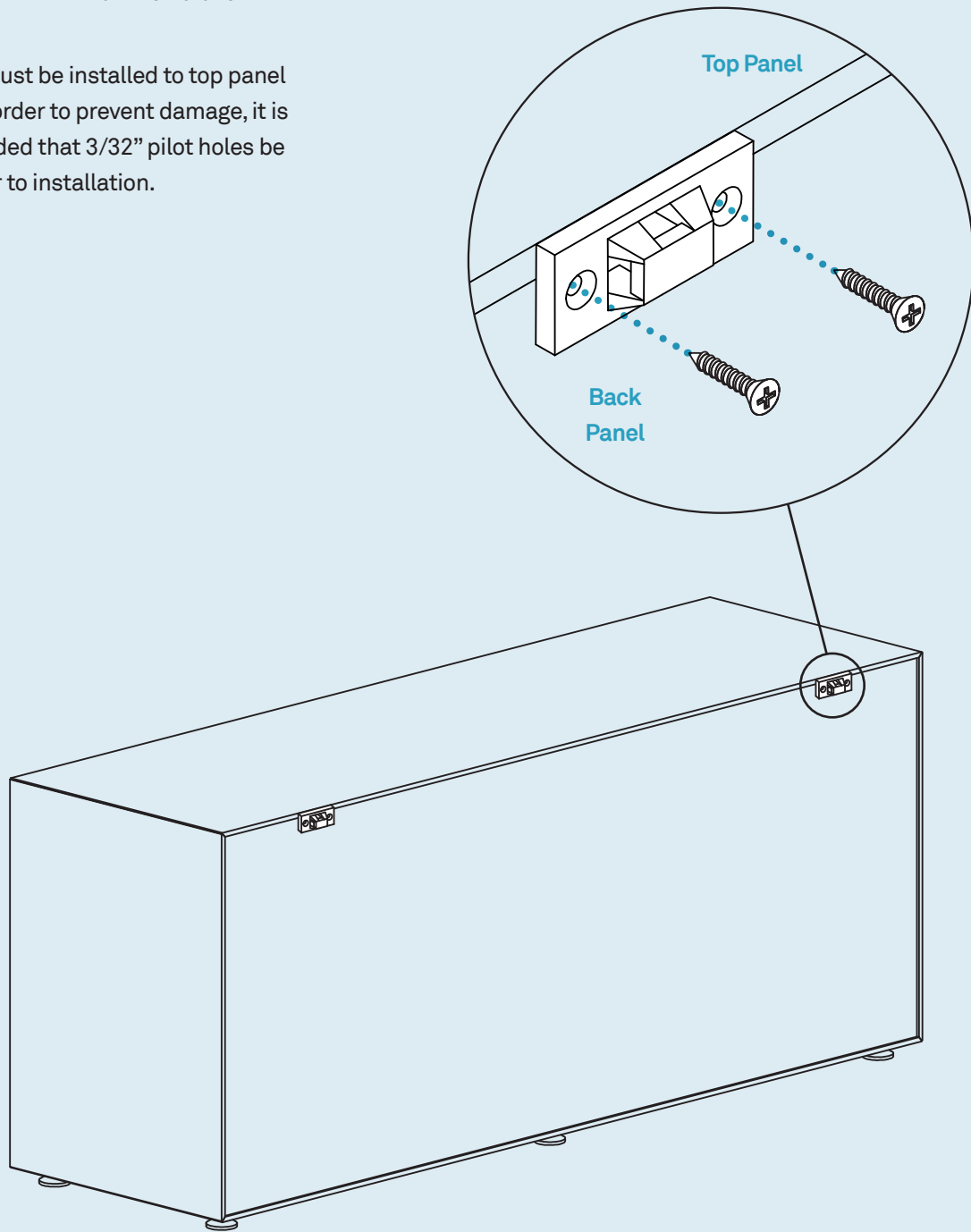
Note: Smaller casegoods such as nightstands may only include one set of anti-tip brackets. In these instances, attach the anti-tip bracket near the center.



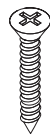
Step 03

INSTALL ANTI-TIP BRACKETS TO CASE.

Brackets must be installed to top panel of case. In order to prevent damage, it is recommended that 3/32" pilot holes be drilled prior to installation.



PT. 8041 x 2

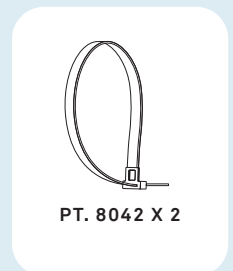
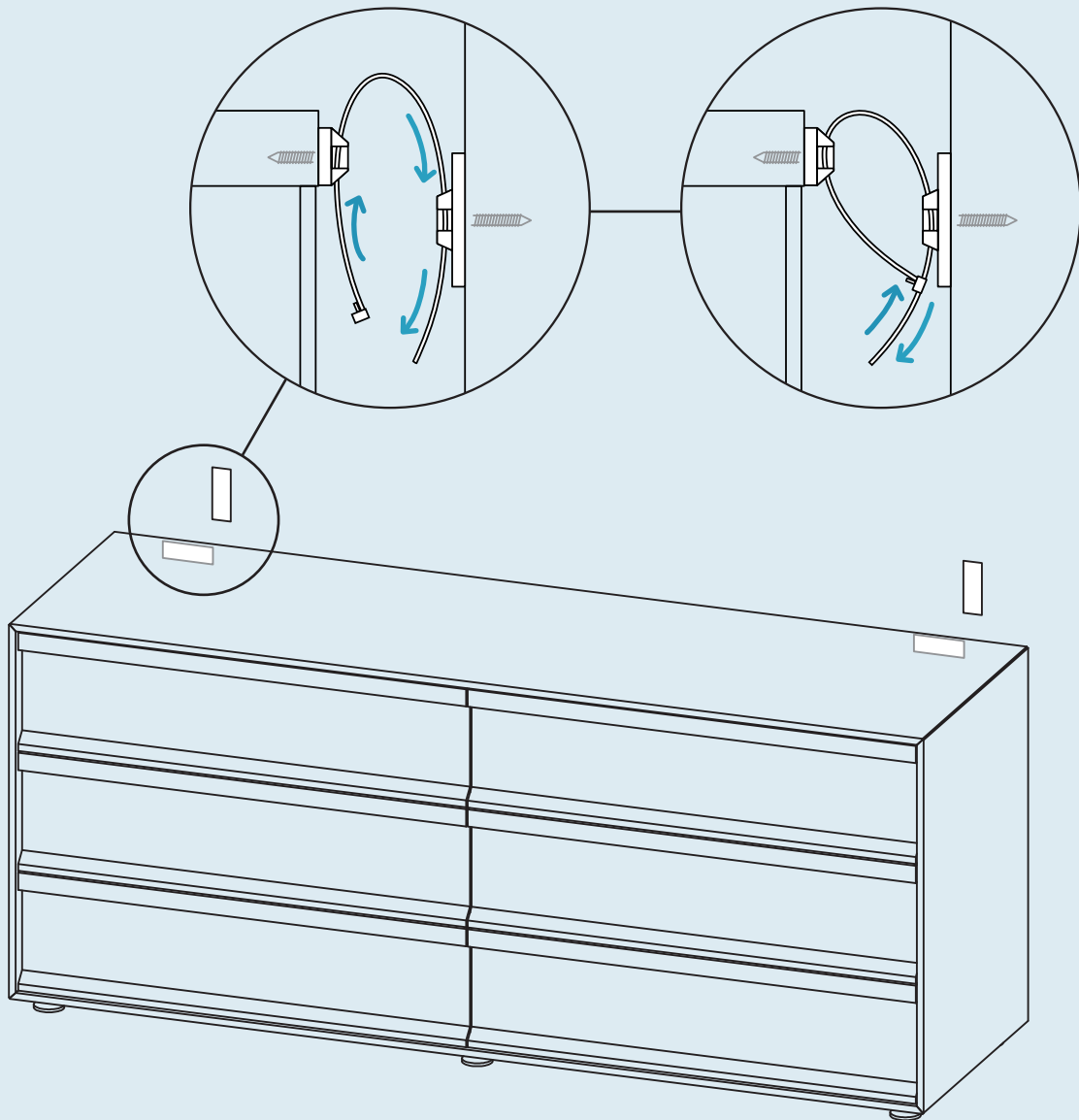


PT. 1220 x 4

Step 04

SECURE THE CASE.

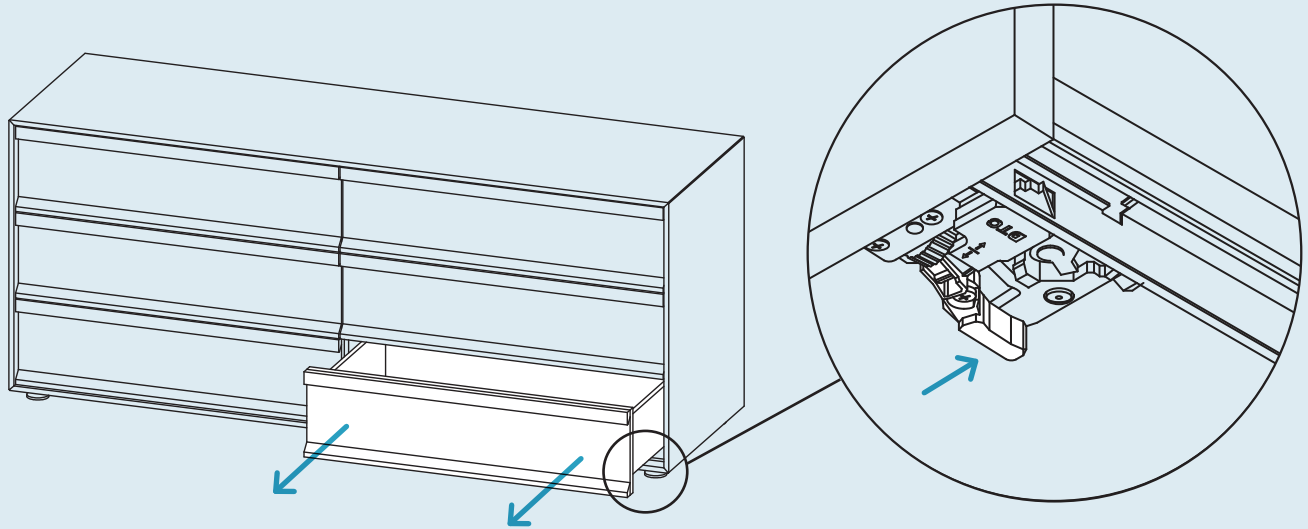
Install and tighten the straps prior to using the product.



Drawer Removal

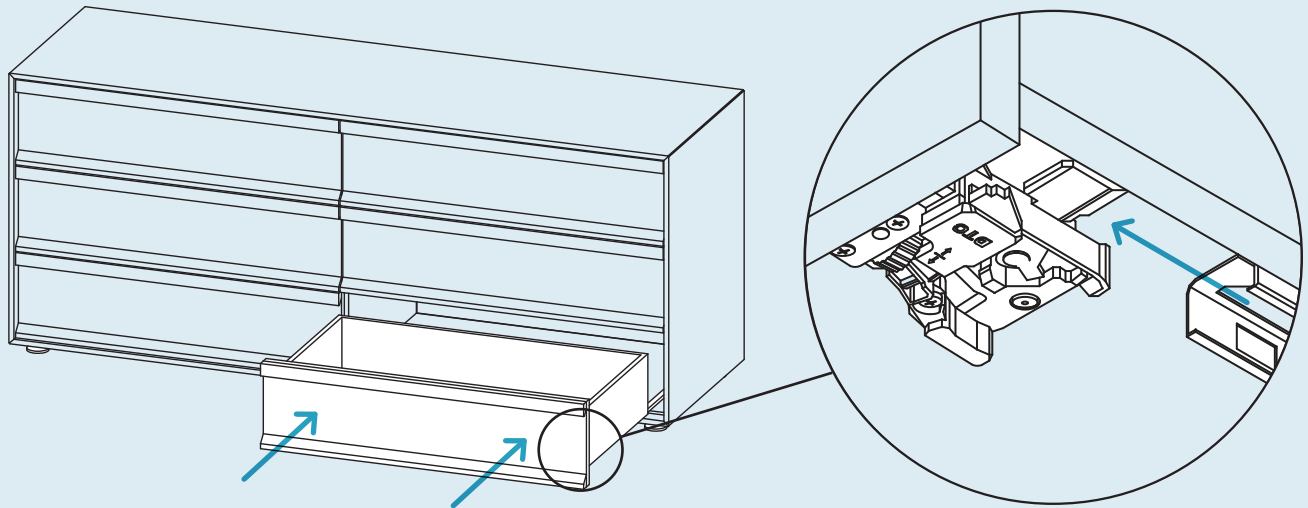
TO REMOVE DRAWERS.

Extend the drawer completely. Squeeze both locks on the underside of the drawer while pulling the drawer out.



TO REINSTALL THE DRAWER.

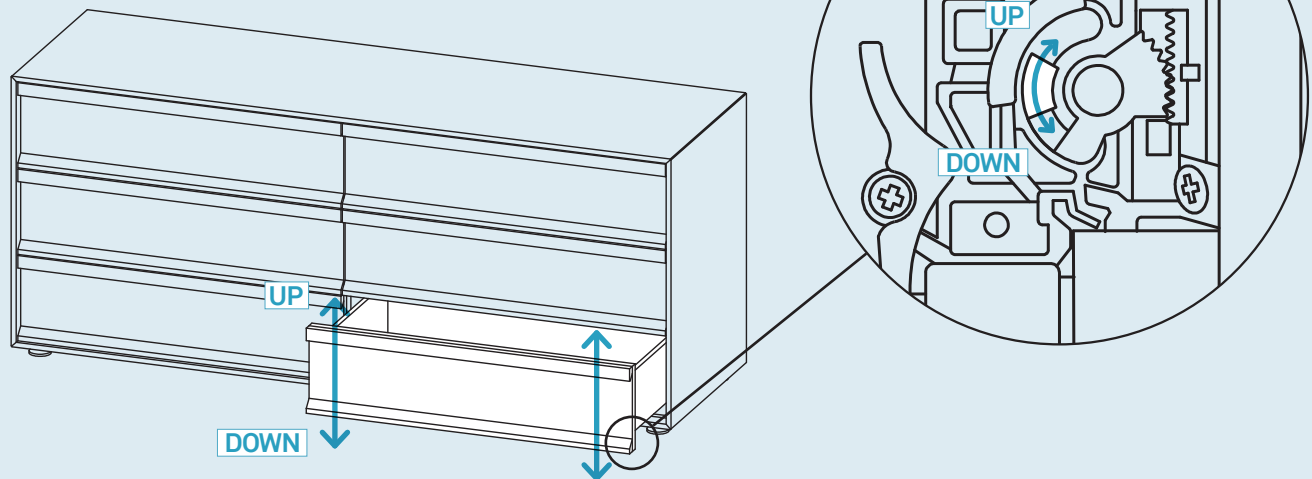
Lower drawer front into place and push closed.



Adjusting Drawers and Doors

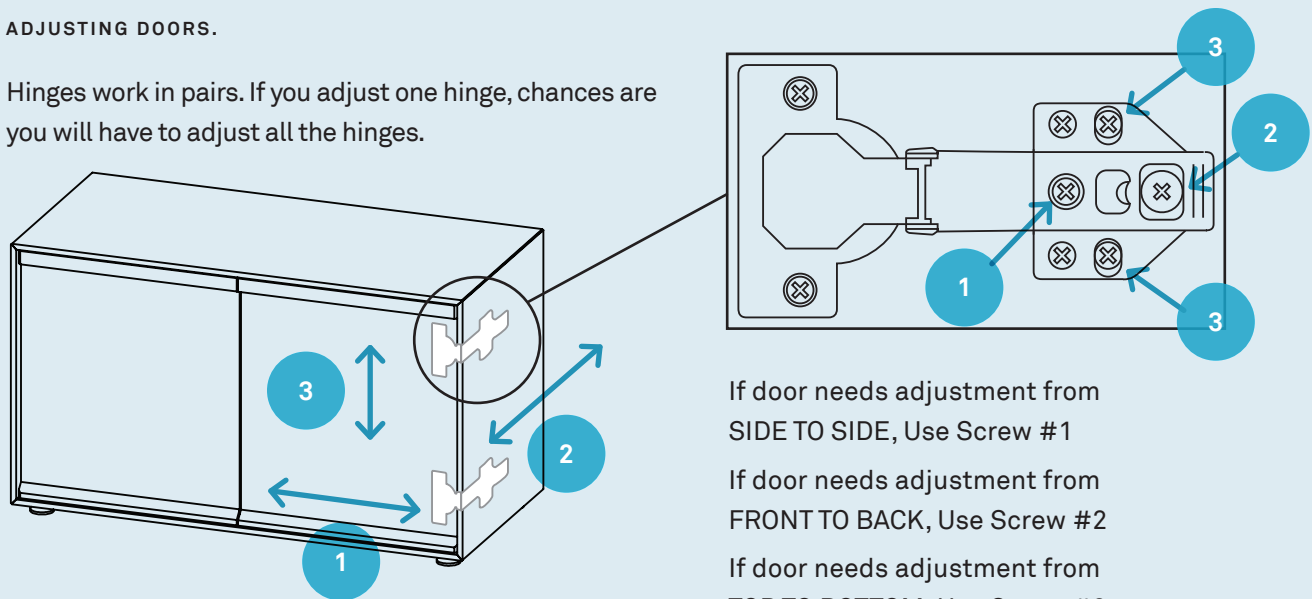
ADJUSTING DRAWER HEIGHT.

The drawer heights may be adjusted to prevent surfaces from rubbing against each other. Press down on the blue tab and rotate as shown to move the drawer up or down.



ADJUSTING DOORS.

Hinges work in pairs. If you adjust one hinge, chances are you will have to adjust all the hinges.



If door needs adjustment from SIDE TO SIDE, Use Screw #1

If door needs adjustment from FRONT TO BACK, Use Screw #2

If door needs adjustment from TOP TO BOTTOM, Use Screw #3

Additional Information

CLEAN

Clean with a slightly damp, soft cloth. To remove dirt and fingerprints, use a quality cleaner formulated for wood furniture. Wipe completely dry with a soft cloth.

