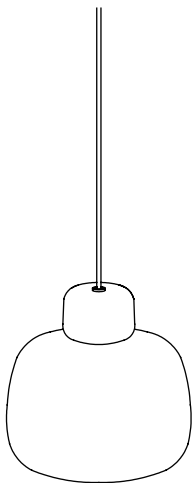


STONE

ASSEMBLY INSTRUCTION

W0UD



A x 1



B x 2



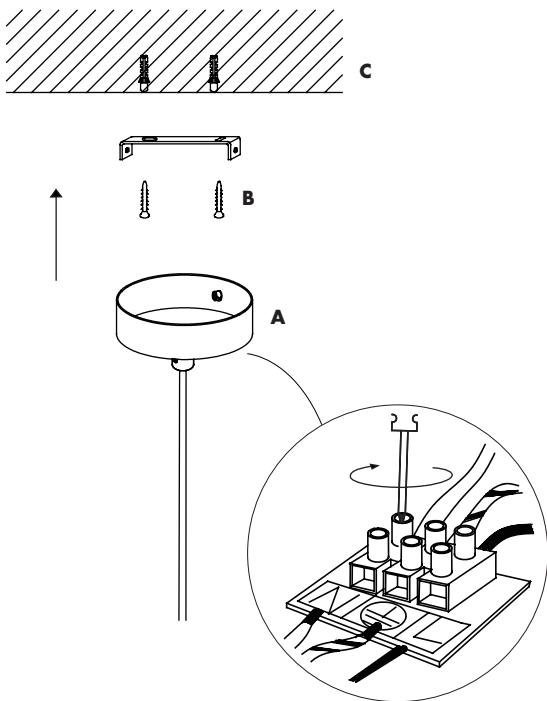
C x 2



NOT INCLUDED

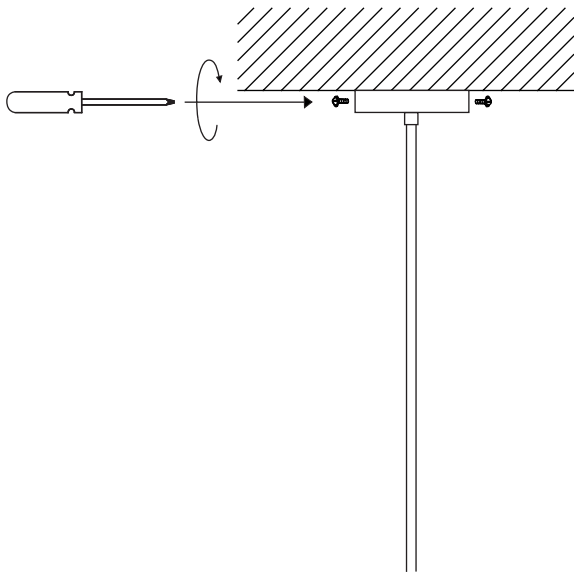
STEP 1

DECIDE THE LENGTH OF THE CORD AND MOUNT THE CEILING ROSE BRACKET USING THE WALL PLUGS AND SCREWS.



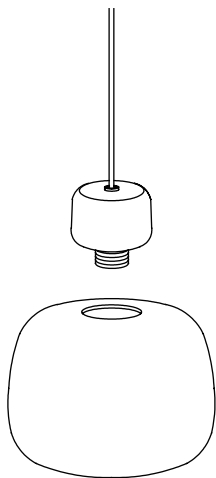
STEP 2

MOUNT THE CEILING ROSE TO THE BRACKET
USING THE SMALL SCREW BOLTS.



STEP 3

MOUNT THE SOCKET TO THE SHADE
AND INSERT A SUITABLE LIGHT BULB.



STEP 3.1



STEP 3.2

