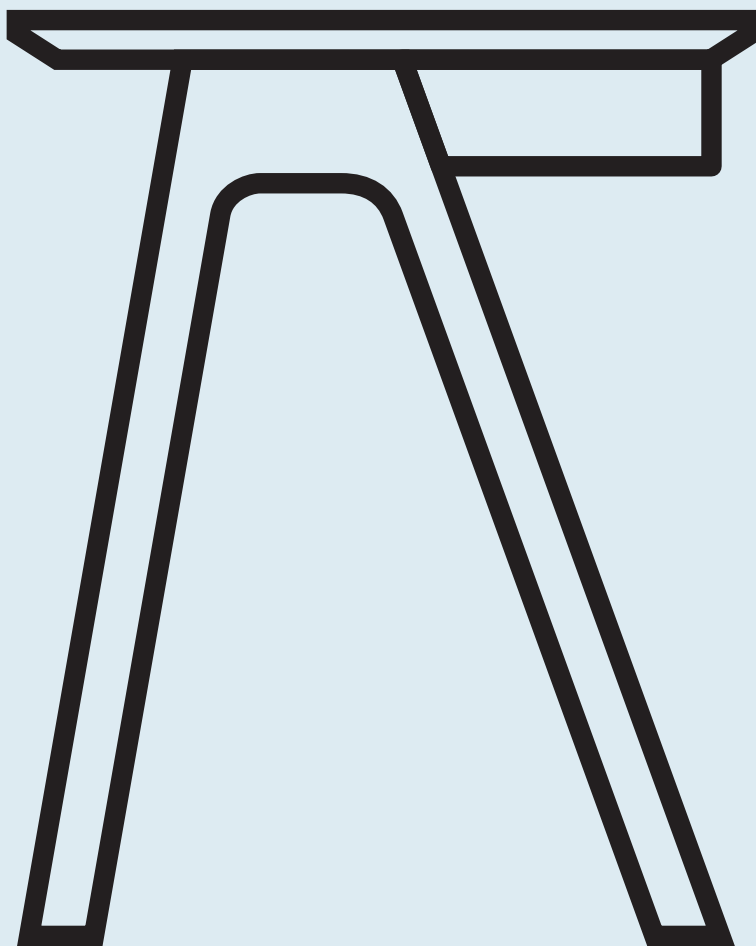
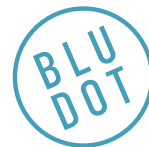


Stash Desk

DESIGNED IN 2011

ASSEMBLY NOTES | REV 01



TAKE SOME OF THE WORK OUT OF HOMEWORK.

Radius edges and wood couple in this elemental desk. Pencil drawer keeps it tidy and can be assembled to either the left or right side. .

NEED A HAND?

Contact us at service@bludot.com or **844.425.8368** for assistance.

Parts & Hardware



QTY 16

Pt. 5001



QTY 16

Pt. 5002



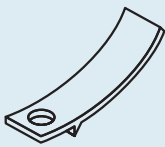
QTY 7

Pt. 5005



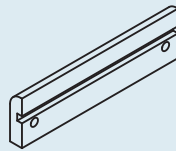
QTY 1

Pt. 1210



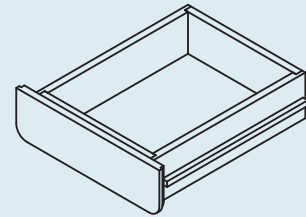
QTY 1

Pt. 8010



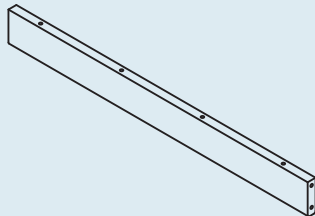
QTY 2

Drawer Support



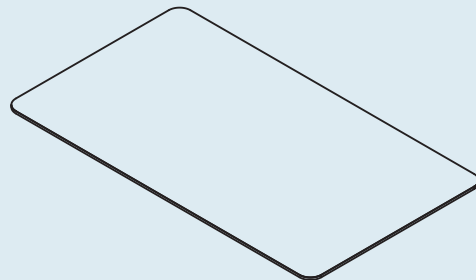
QTY 1

Drawer



QTY 1

Rear Rail



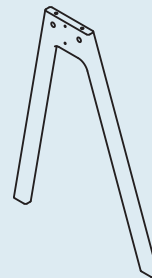
QTY 1

Top Panel



QTY 1

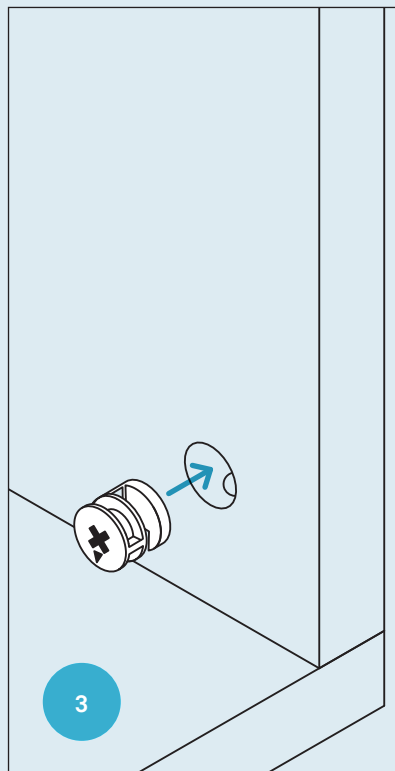
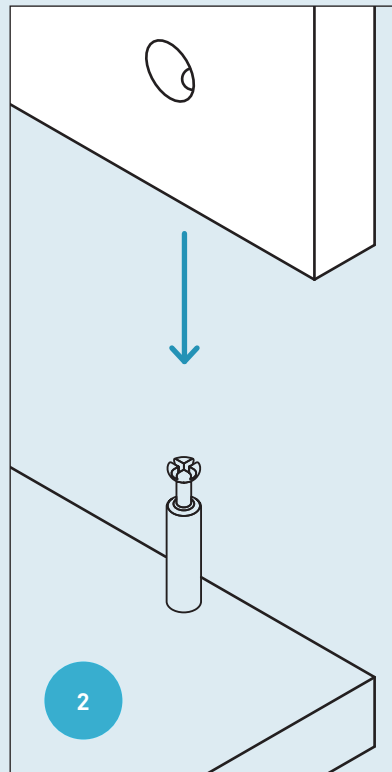
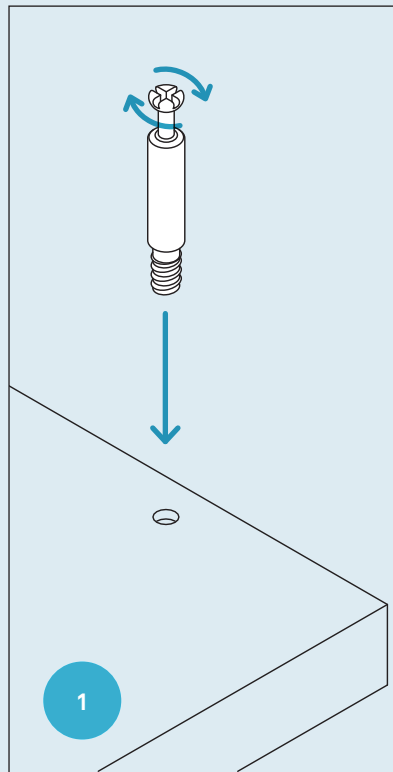
Left Leg



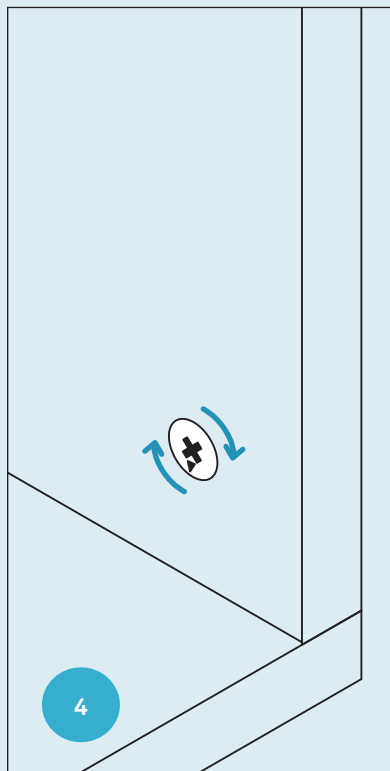
QTY 1

Right Leg

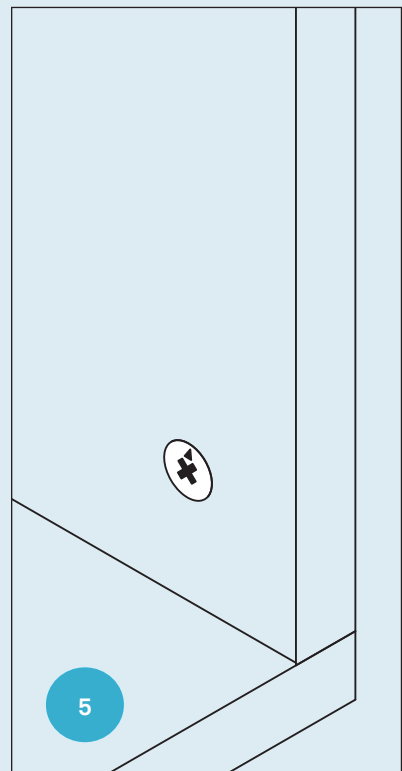
How to use the cam lock system



Note direction of cam arrow.



Turn cam clockwise 1/2 turn or until tight.

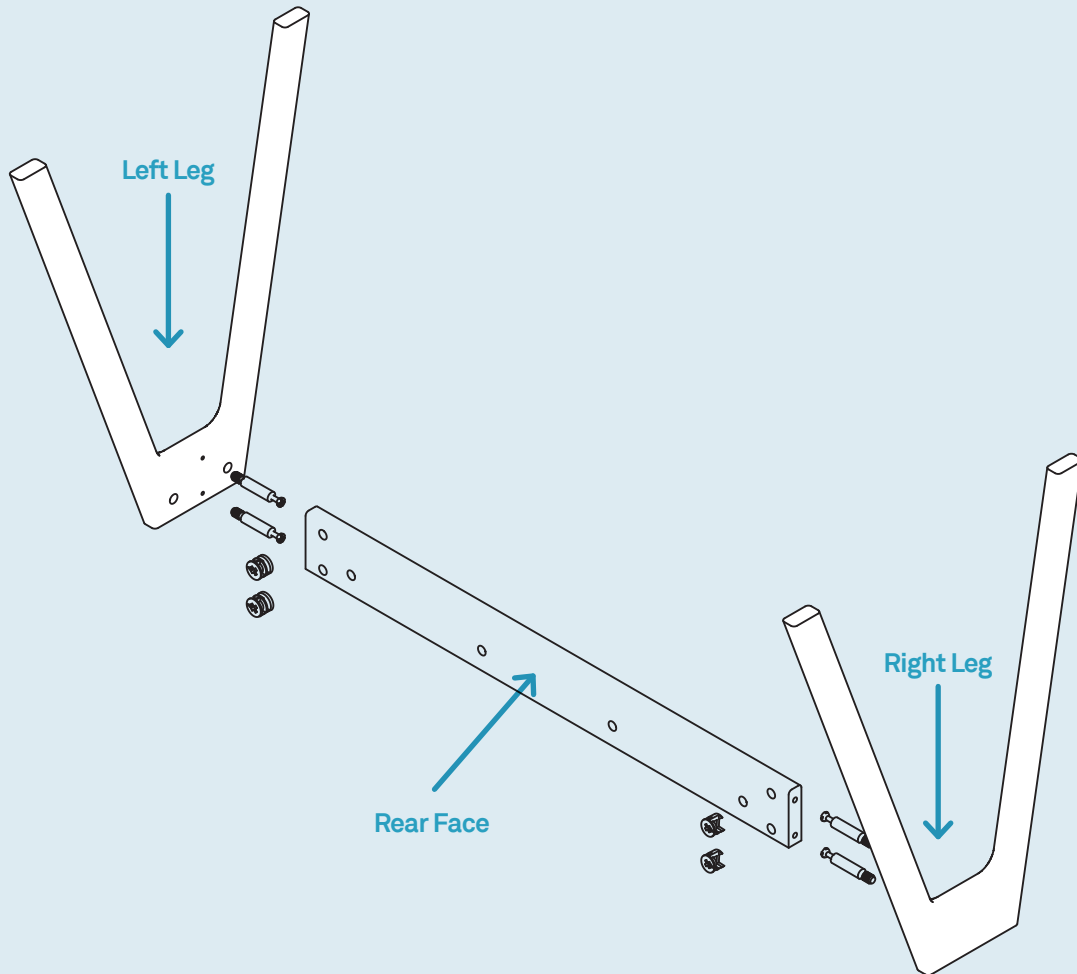


Note direction of cam arrow.

Step 01

ASSEMBLING THE BASE.

Attach the left and right legs to the rear rail as shown using the provided hardware. Note the direction of the holes on the rear rail.



PT. 5001 x 4

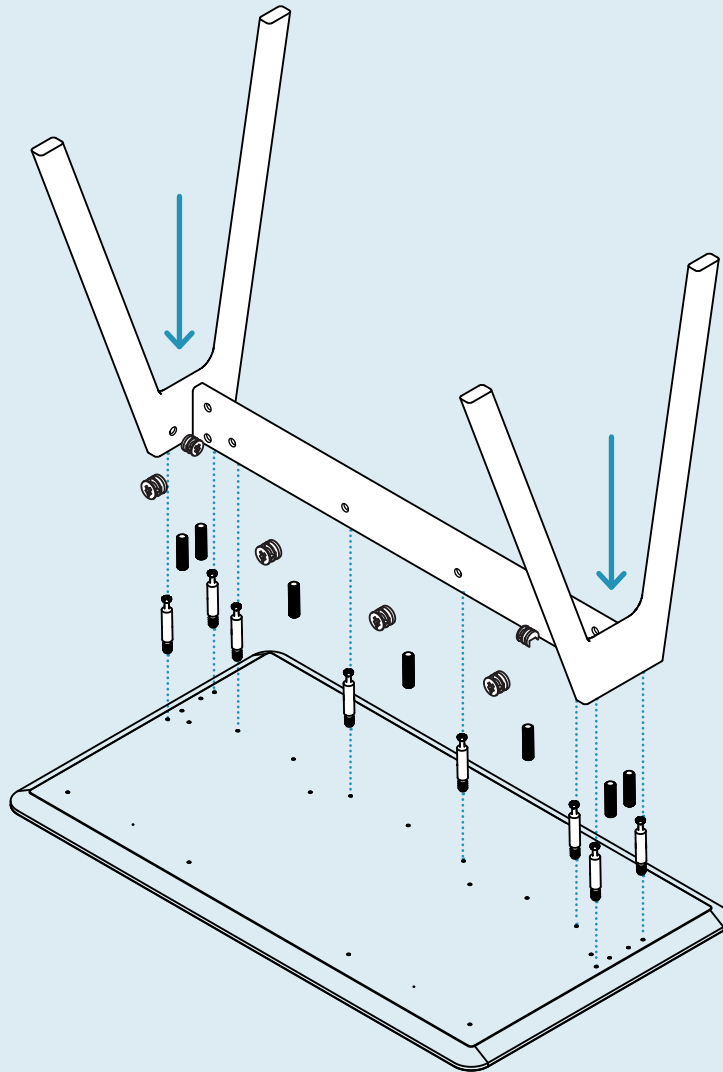


PT. 5002 x 4

Step 02

ATTACHING THE TOP PANEL.

Place the top panel face down on a soft surface. Attach the base frame as shown using the provided hardware.



PT. 5001 x 8



PT. 5002 x 8



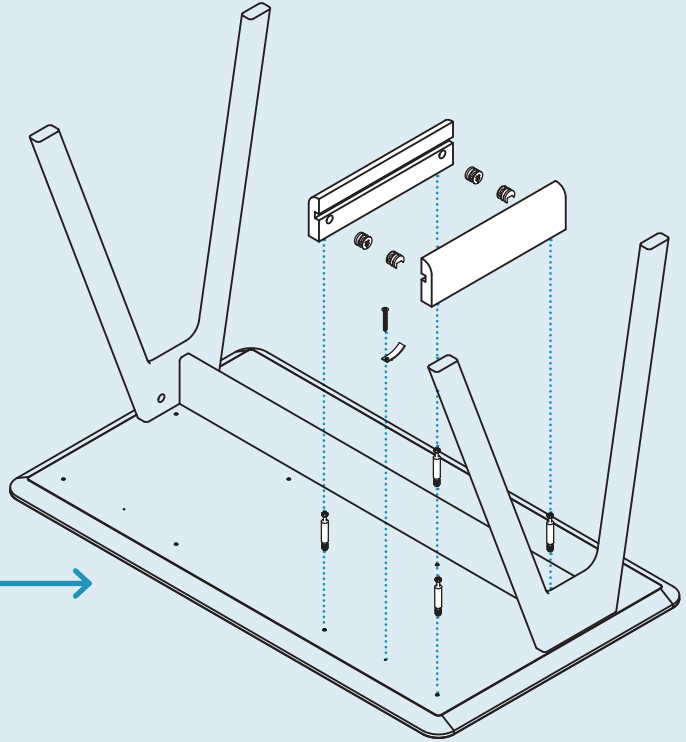
PT. 5005 x 7

Step 03

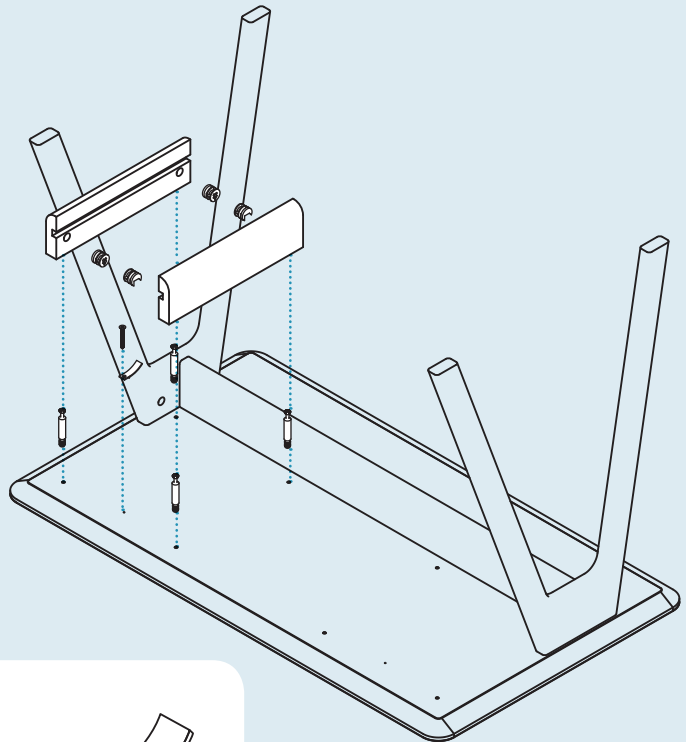
ATTACHING THE DRAWER SUPPORTS.

The included drawer can be installed on either the left or right side of the desk. Attach the drawer supports as shown using the provided hardware.

Left Side
Drawer →



Right Side
Drawer →



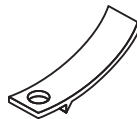
PT. 5001 x 4



PT. 5002 x 4



PT. 1210 x 1

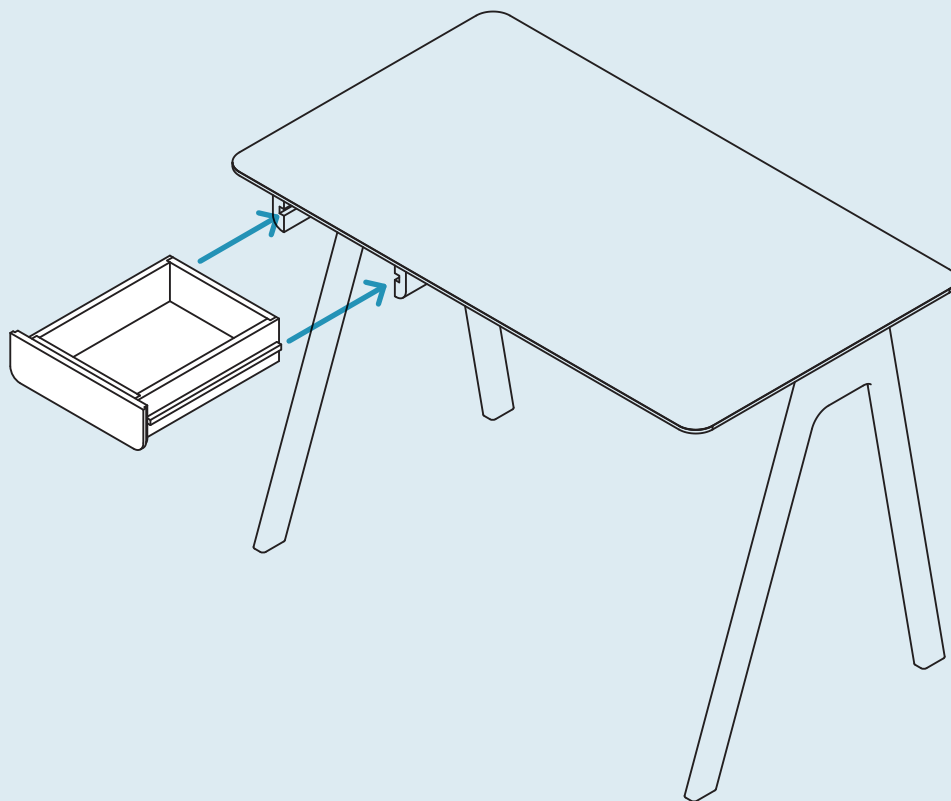


PT. 8010 x 1

Step 04

INSTALLING THE DRAWER.

Align the wood slides on the drawer with the grooves in the drawer supports. Slide the drawer into place.



Additional Information

CLEAN

Clean with a slightly damp, soft cloth. To remove dirt and fingerprints, use a quality cleaner formulate for wood furniture. Wipe completely dry with a soft cloth in the direction of the wood grain.

