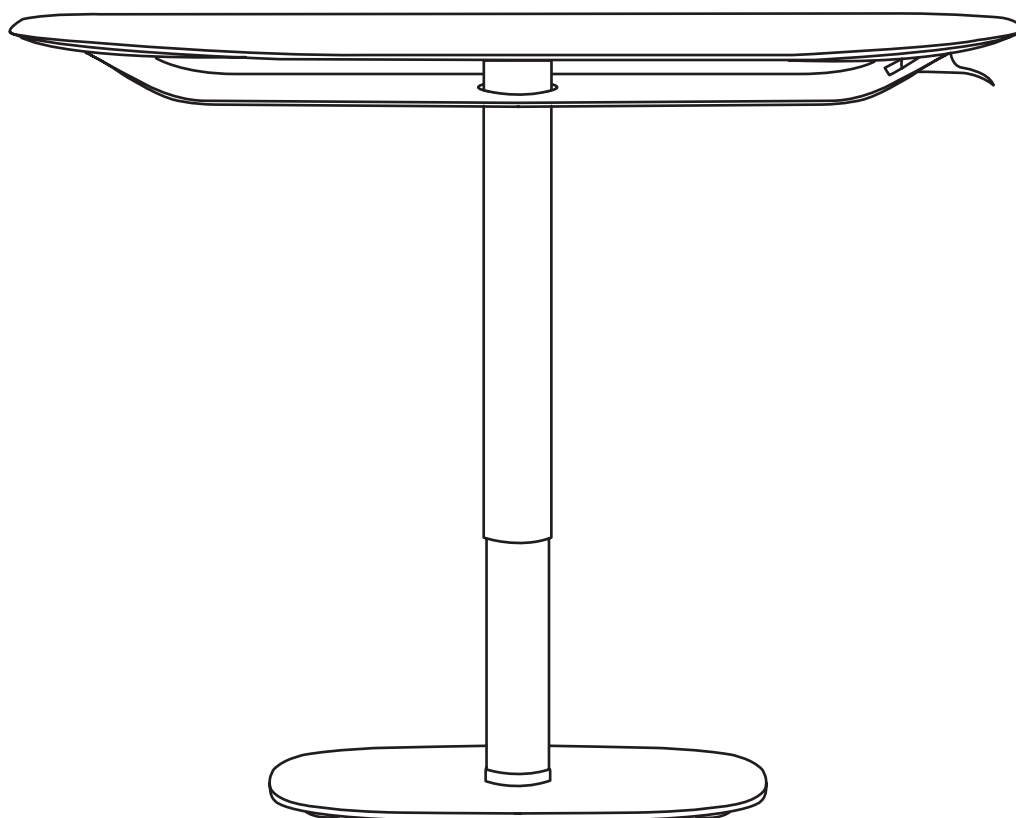


SOMA™ 1133

CONSOLE TABLE

INSTRUCTION MANUAL

LET'S GET STARTED.



DESIGN JEFF BARE

BDi

BDIUSA.COM

Congratulations on the purchase of your Soma Console Table 1133 from BDI. Your console table has been designed to provide a lifetime of enjoyment. This manual will provide you with assembly instructions and other helpful information to ensure you get the most out of your product. Please save it for future reference.

Your Soma Console Table has been engineered for simple assembly. Please follow these directions carefully to prevent any damage.

Should you need further assistance, contact BDI at customerservice@bdiusa.com.


ENJOY!



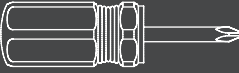
HARDWARE AND COMPONENTS

Unpack and identify the parts listed below. If you are missing any hardware, please contact BDI Customer Service at customerservice@bdiusa.com. For all other concerns, please contact your BDI retailer.

The assembly workspace should be a non-marring surface such as carpet. Do not use power tools for the assembly of this product.

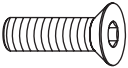


Hex Wrench (T1)	QTY: 1
-----------------	--------

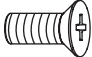


Phillips Screwdriver

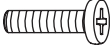
TOOL REQUIRED (NOT INCLUDED)




M6 x 20 Screw (H1)	QTY: 7
--------------------	--------



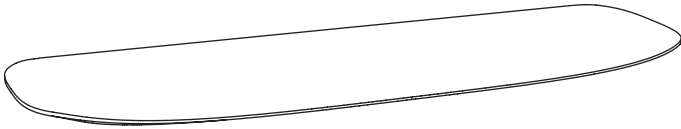
M5 x 12 Screw (H2)	QTY: 4
--------------------	--------



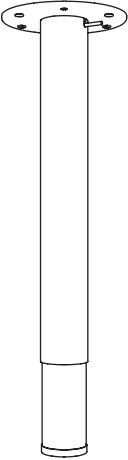
M4 x 16 Screw (H3)	QTY: 2
--------------------	--------



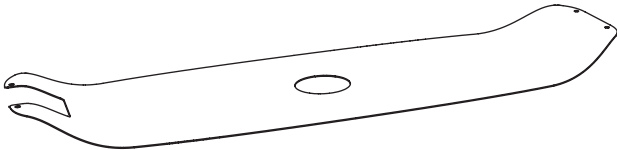
Wire Clip (H4)	QTY: 2
----------------	--------




Top Panel (C1)	QTY: 1
----------------	--------



Lift Column (C2)	QTY: 1
------------------	--------



Shelf (C3)	QTY: 1
------------	--------



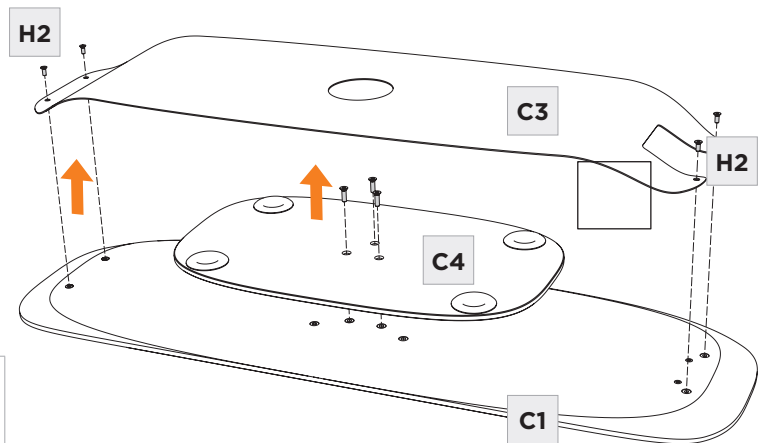
Bottom Plate (C4)	QTY: 1
-------------------	--------


ASSEMBLY

STEP 1. DETACH SHELF & BASE FROM TOP

Place the **Top Panel (C1)** upside down on a soft, flat surface. Remove the 3 Silver Screws connecting the **Bottom Plate (C4)** with a **Hex Wrench (T1)**. Discard these screws.

Remove the **4 Screws (H2)** connecting the **Shelf (C3)** to the **Top Panel (C1)** with a **Phillips Screwdriver**. Set these screws aside for later use.




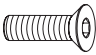
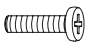
	HEX WRENCH – T1	QTY 1
	PHILLIPS SCREWDRIVER NOT INCLUDED	QTY 1

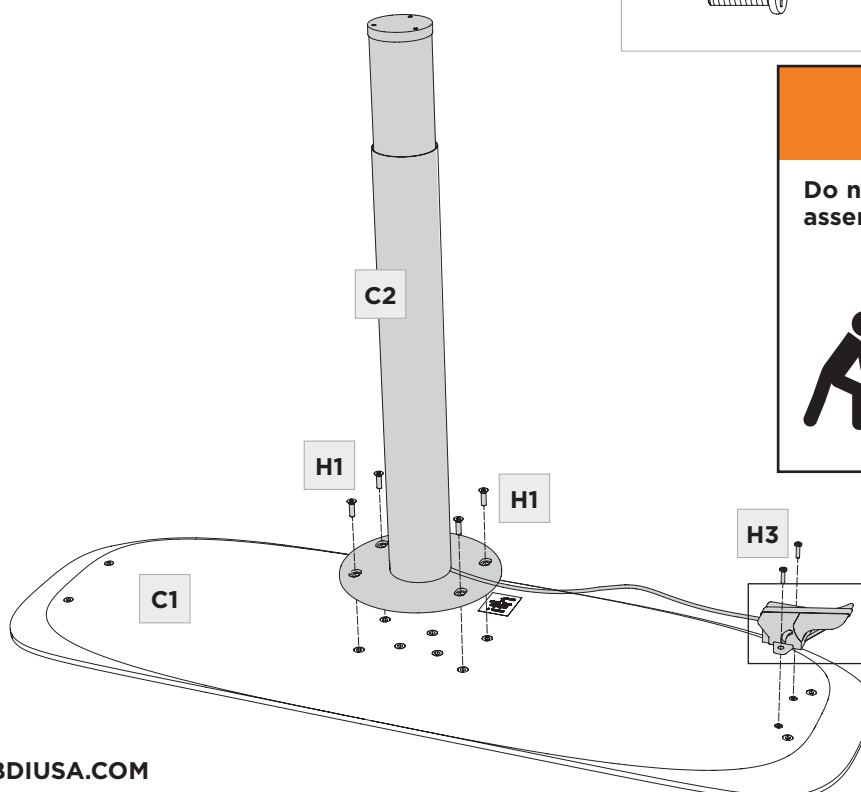
ASSEMBLY

STEP 2. ATTACH LIFT COLUMN

Place the **Lift Column (C2)** on the **Top Panel (C1)** and ensure it is in the correct orientation to allow the handset to reach the threaded holes. Mount the **Lift Column (C2)** with **4 Screws (H1)**. Tighten with **Hex Wrench (T1)**. Mount the Lever with **2 Screws (H3)**. Tighten with **Phillips Screwdriver**.

Do NOT remove the tape on Lever.

	HEX WRENCH – T1	QTY 1
	SCREW – H1	QTY 4
	SCREW – H3	QTY 2



CAUTION

Do not remove tape on lever until assembly is complete.

Pressing the lever will release and extend the column. This should only be done once the base is fully installed. Do not lean or stand over the column during assembly to avoid risk of injury.

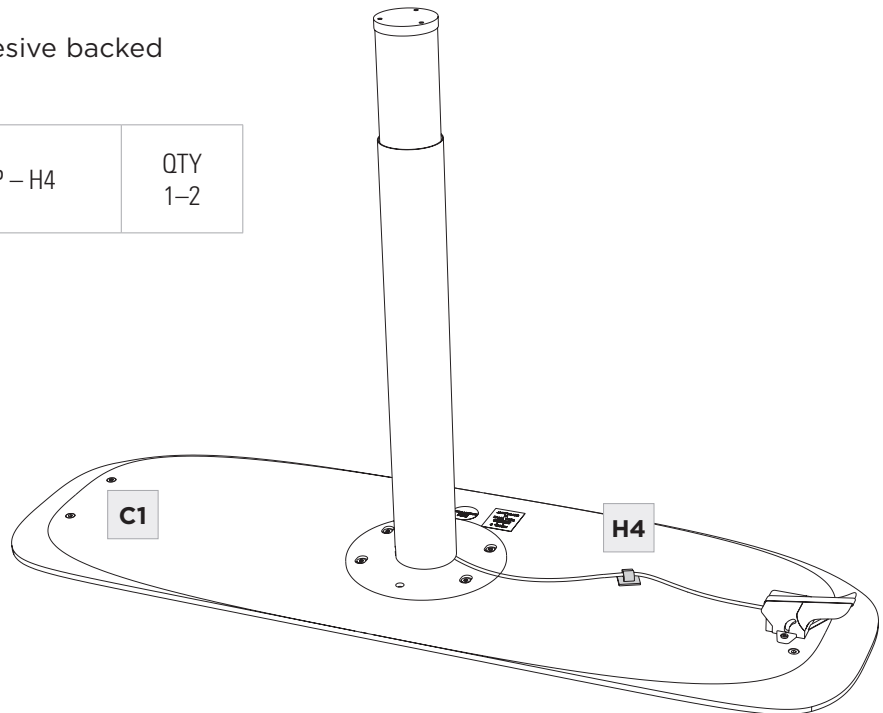


STEP 3. SECURE WIRES

ASSEMBLY

Secure any wires with the adhesive backed **Wire Clips (H4)** where needed.

	WIRE CLIP – H4	QTY 1-2
---	----------------	------------





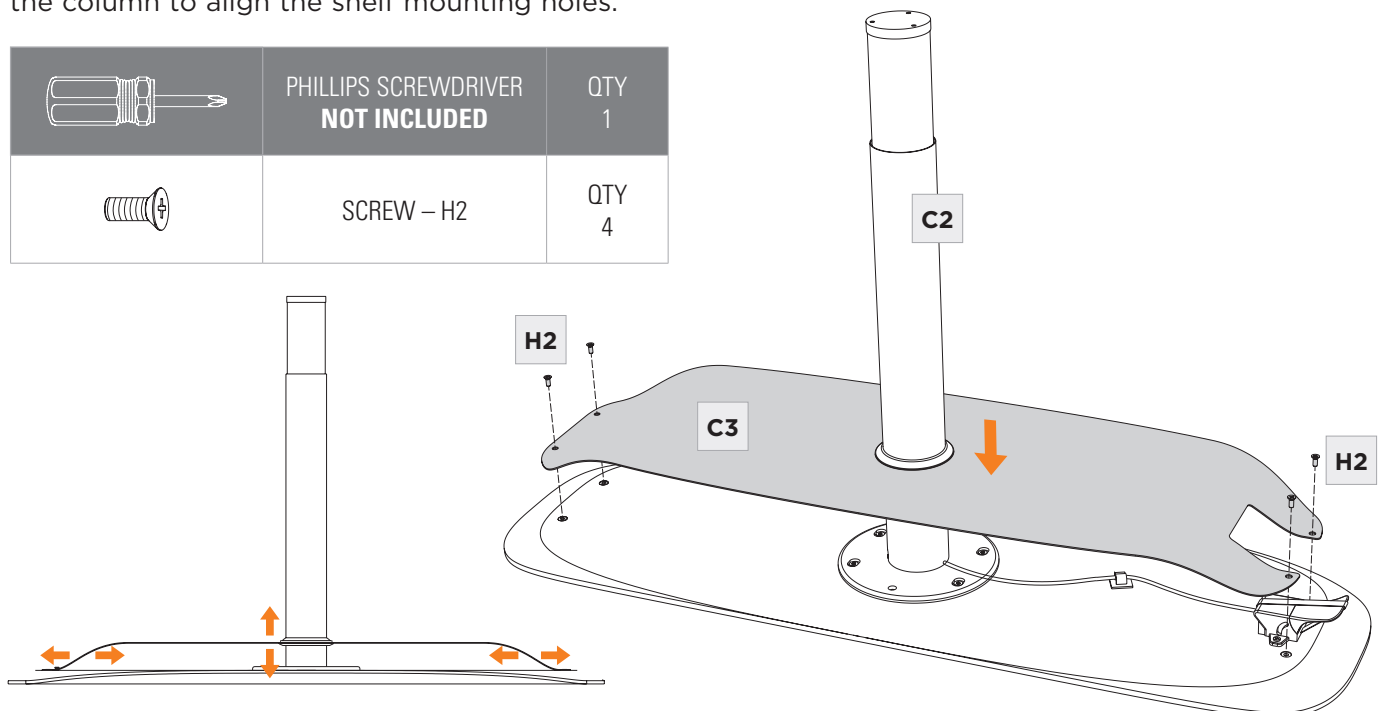
STEP 4. ATTACH SHELF

ASSEMBLY

Carefully slide the **Shelf (C3)** over the **Lift Column (C2)**. Attach the **Shelf (C3)** with **4 Screws (H2)**. Tighten with **Phillips Screwdriver**.

You may need to loosen the column screws and adjust its position or slide the shelf up or down on the column to align the shelf mounting holes.

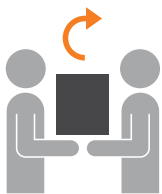
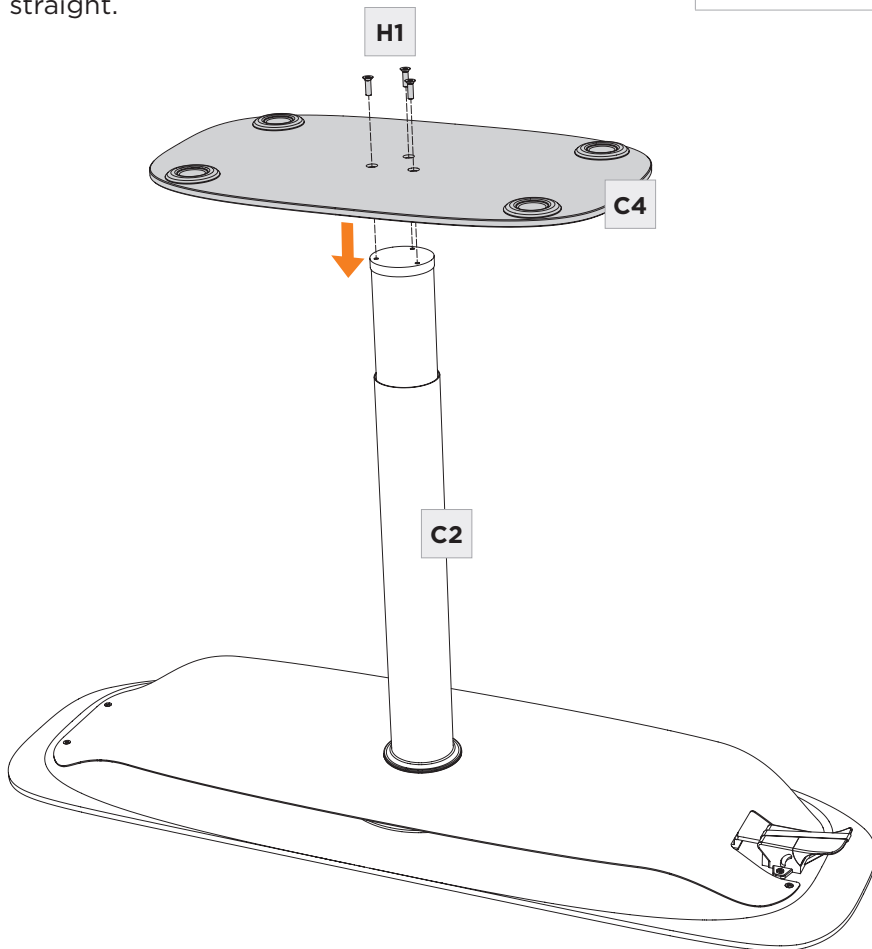
	PHILLIPS SCREWDRIVER NOT INCLUDED	QTY 1
	SCREW – H2	QTY 4



Attach the **Bottom Plate (C4)** to the **Lift Column (C2)** using **3 Screws (H1)**. Tighten with **Hex Wrench (T1)**.

You may need to loosen the column mounting screws and rotate it slightly to align the base straight.

	HEX WRENCH – T1	1
	SCREW – H1	3



With scissors, remove the tape surrounding the lever to operate the column.

