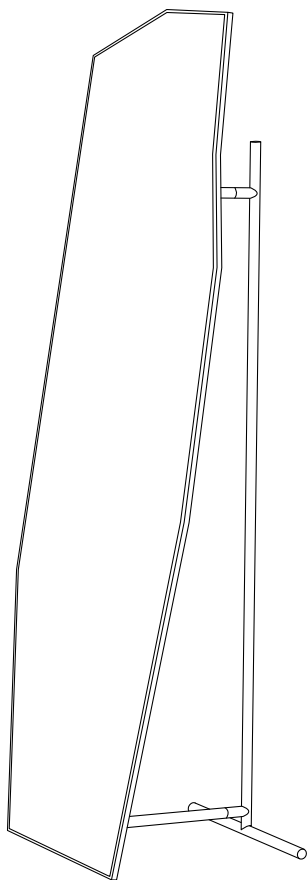


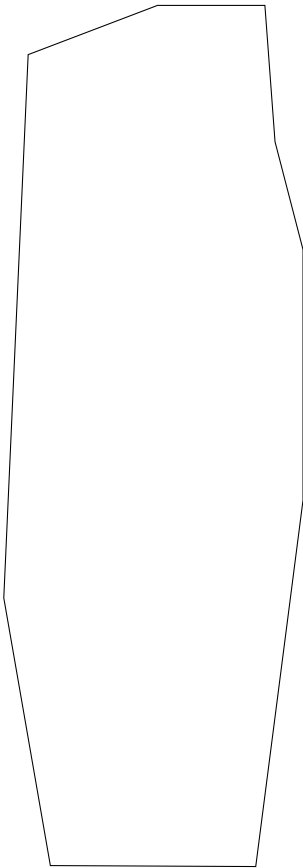
Shard Mirror Free Stand

Assembly manual

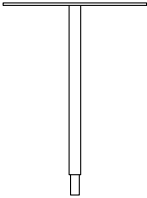


ferm
L I V I N G

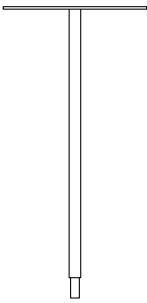
Box Content



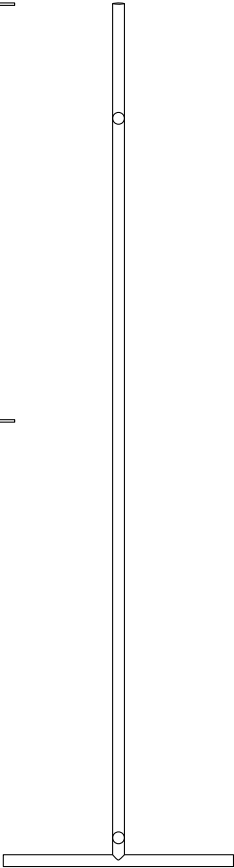
1 x Mirror



1 x Part C



1 x Part B



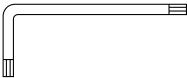
1 x Part A



2 x Screw A



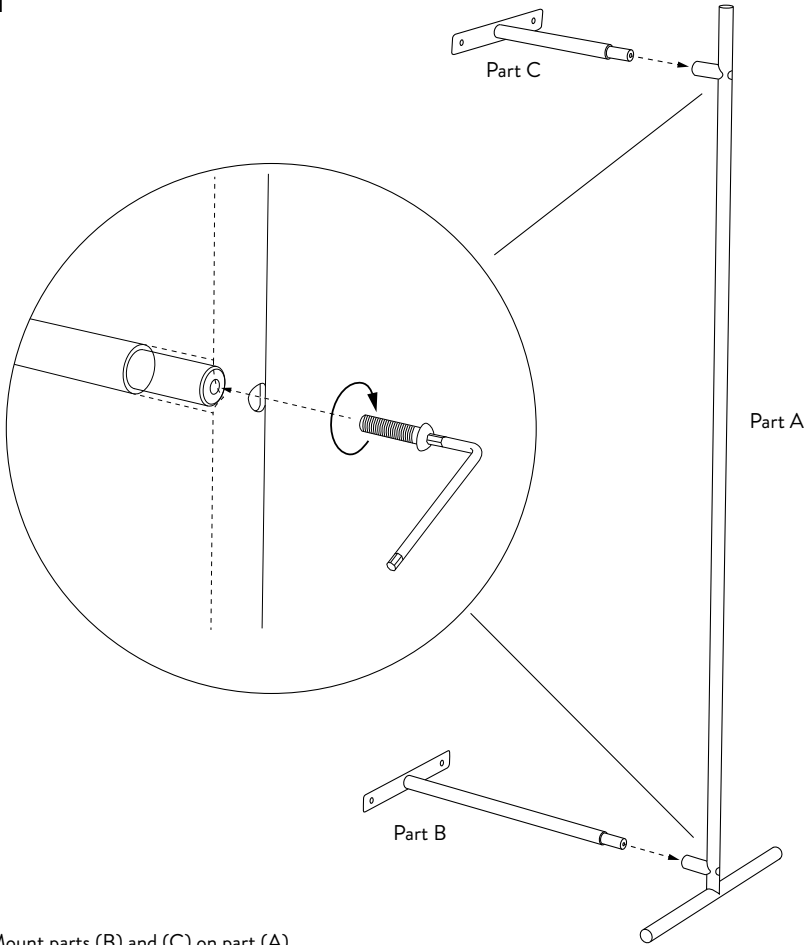
4 x Screw B



M6 Allen Key

Assembly Process

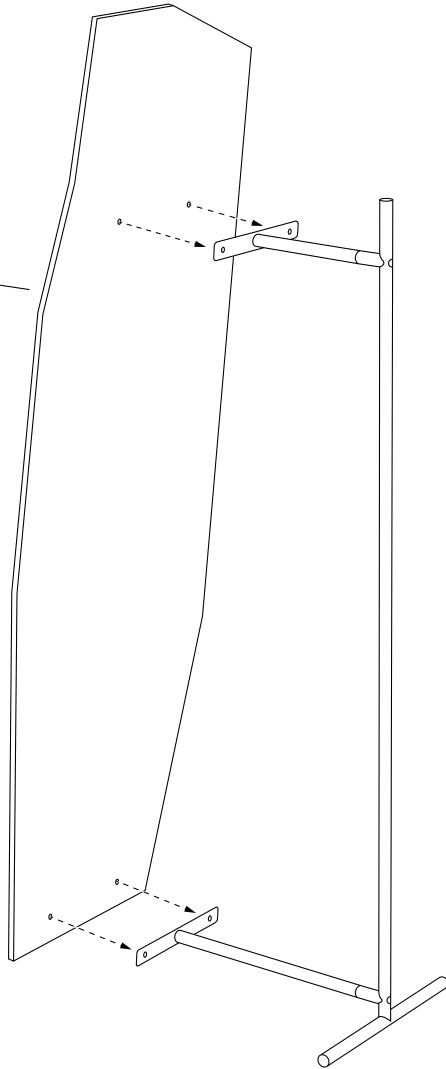
1



Mount parts (B) and (C) on part (A) with a screw (A) each. Use the allen key.

Assembly Process

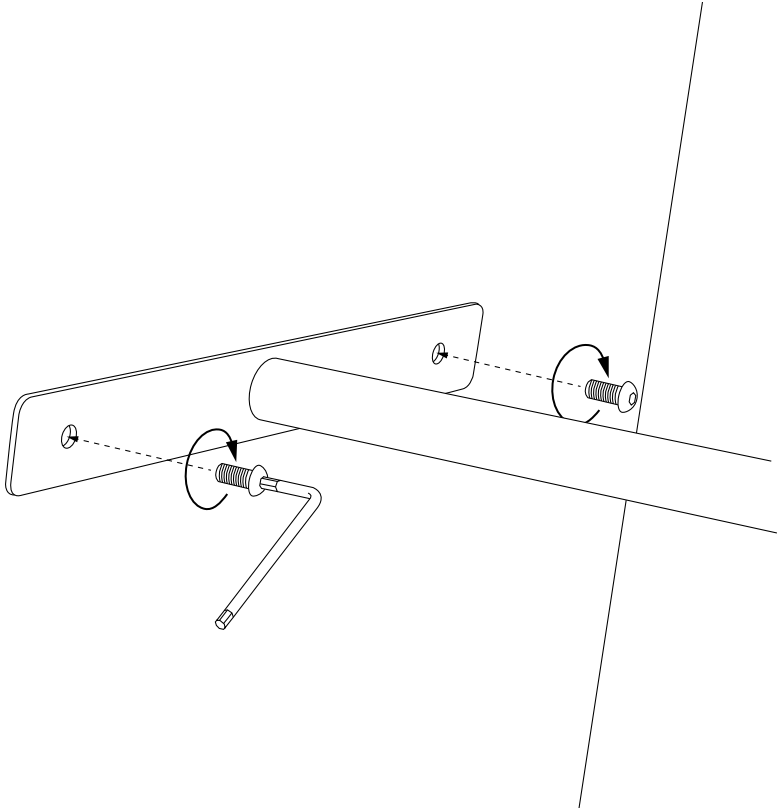
2



Mount the mirror
on the stand

Assembly Process

3



Screw 4 screws (B)
into the mirror

fermliving.com