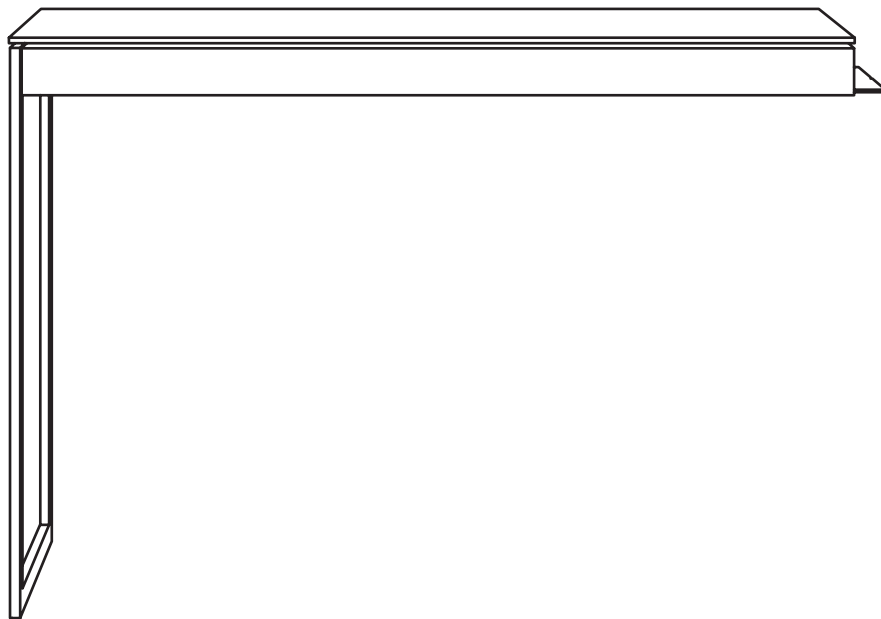


# SEQUEL<sup>®</sup> 20 6112

RETURN

## INSTRUCTION MANUAL

**LET'S GET STARTED.**



DESIGN MATTHEW WEATHERLY

**BDi**


BDIUSA.COM

# HARDWARE AND COMPONENTS

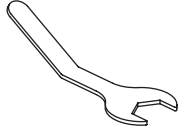
Unpack and identify the parts listed below. The assembly workspace should be a non-marring surface such as carpet. For missing hardware pieces, please contact BDI Customer Service at [customerservice@bdiusa.com](mailto:customerservice@bdiusa.com).

Do not use power tools for assembly of this product.

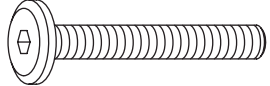
For all other concerns, please contact your BDI retailer.



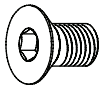
PART #	<b>T1</b>
DESCRIPTION	Hex Wrench
QUANTITY	1



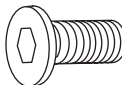
PART #	<b>T2</b>
DESCRIPTION	Hex Wrench
QUANTITY	1



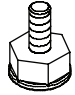
PART #	<b>H1</b>
DESCRIPTION	M6 x 40mm Screw
QUANTITY	4



PART #	<b>H2</b>
DESCRIPTION	M6 x 10mm Flathead Screw
QUANTITY	4

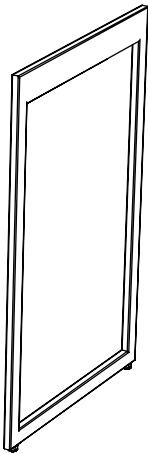


PART #	<b>H3</b>
DESCRIPTION	M6 x 15mm Screw
QUANTITY	5

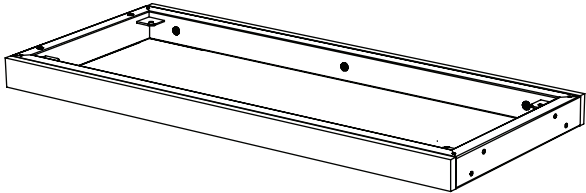


PART #	<b>H4</b>
DESCRIPTION	Leveler
QUANTITY	2

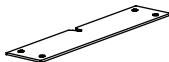
**HARDWARE AND COMPONENTS**



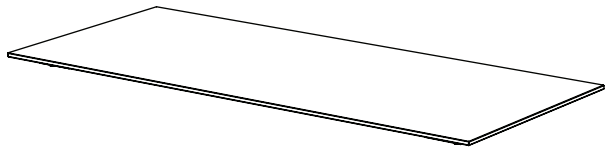
PART #	<b>C1</b>
DESCRIPTION	Leg Frame
QUANTITY	1



PART #	<b>C2</b>
DESCRIPTION	Top Frame
QUANTITY	1



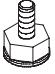
PART #	<b>C3</b>
DESCRIPTION	Connector Plate
QUANTITY	1

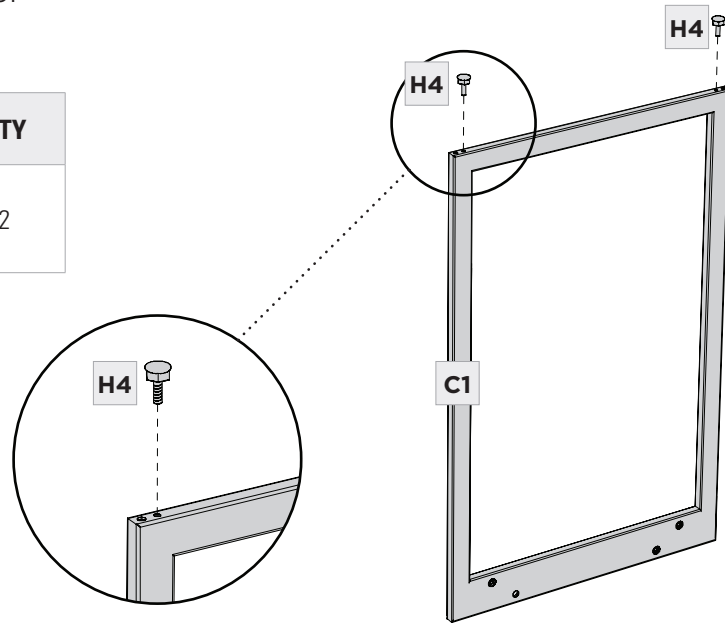


PART #	<b>C4</b>
DESCRIPTION	Top Panel
QUANTITY	1


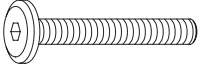
**ASSEMBLY****STEP 1. INSTALL LEVELERS**

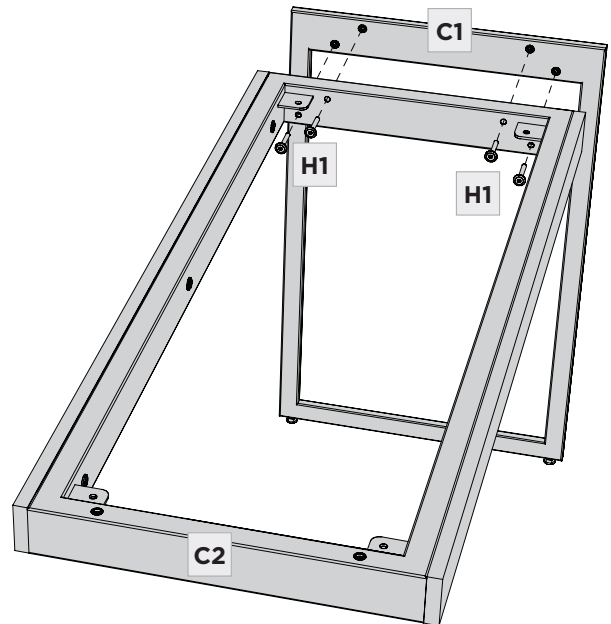
Install **(H4) Levelers** into the bottom of **(C1) Leg Frame**.

	PART/DESCRIPTION	QTY
	H4-LEVELER	2

**ASSEMBLY****STEP 2. INSTALL TOP FRAME**

Connect **(C1) Leg Frame** to **(C2) Top Frame** using **4 (H1) Screws** and tighten with **(T1) Hex Wrench**.

	PART/DESCRIPTION	QTY
	T1-HEX WRENCH	1
	H1-SCREW	4




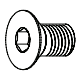
### STEP 3. INSTALL CONNECTOR PLATE

### ASSEMBLY

The return may be attached to either a desk or a cabinet.

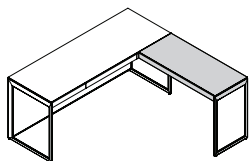
IF ATTACHING TO A DESK—  
COMPATIBLE WITH 6101, 6102:

Connect the **(C3) Connector Plate** to the underside of **(C2) Top Frame** using **2 (H2) Flathead Screws** and **(T1) Hex Wrench**. Make sure notch is facing outward. **Go to step 4.**

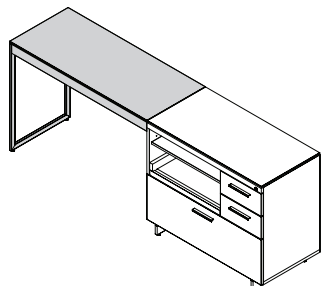
	PART/DESCRIPTION	QTY
	T1-HEX WRENCH	1
	H2-FLATHEAD SCREW	2

IF ATTACHING TO A CABINET—  
COMPATIBLE WITH 6114, 6116, 6117:

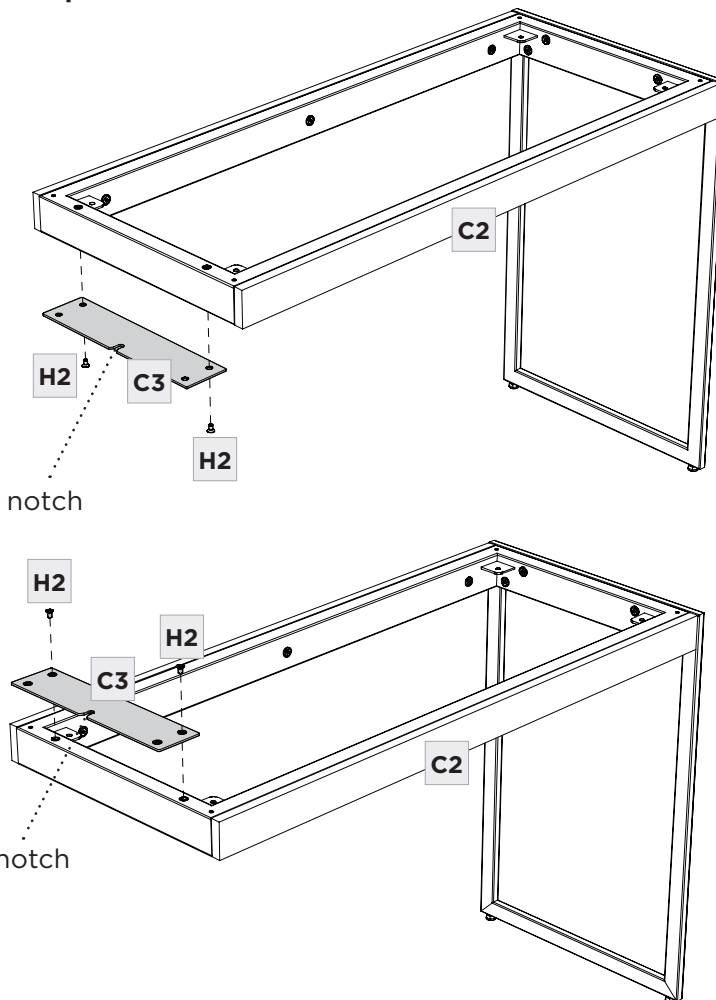
Connect the **(C3) Connector Plate** to the topside of **(C2) Top Frame** using **2 (H2) Flathead Screws**. Make sure notch is facing outward. **Go to step 8.**



Connecting to desk  
plate goes on bottom

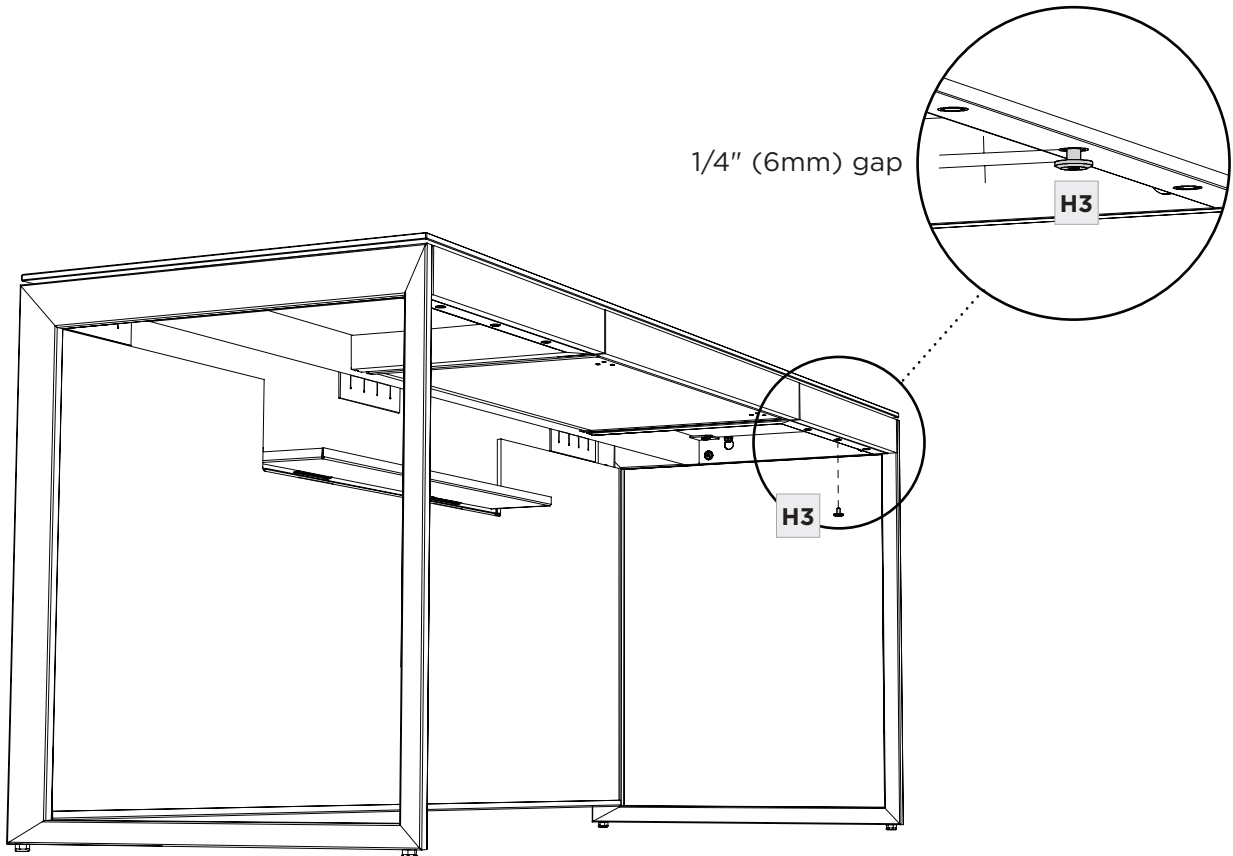


Connecting to cabinet  
plate goes on the top



The return may be attached either to the **left** or **right** of the center drawer (**right side shown below**). Partially thread **1 (H3) Screw** into the **middle insert** leaving it extended out 1/4" (6mm) to allow **(C3) Connector Plate** to slide into the space between the screw head and bottom of the desk.

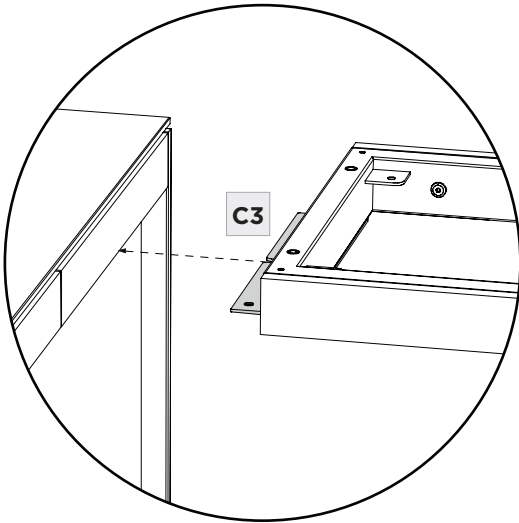
	PART/DESCRIPTION	QTY
	H3-SCREW	1



## STEP 5. ATTACH THE RETURN

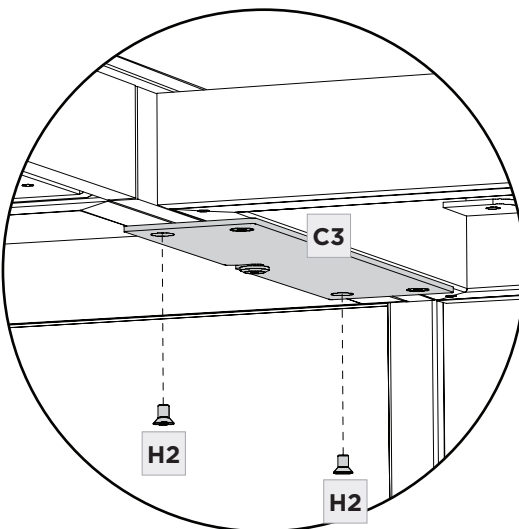
## ASSEMBLY

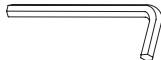
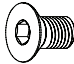
Slide the notch on **(C3) Connector Plate** onto the partially threaded **middle screw**. Tighten the screw with **(T1) Hex Wrench**.



	PART/DESCRIPTION	QTY
	T1-HEX WRENCH	1

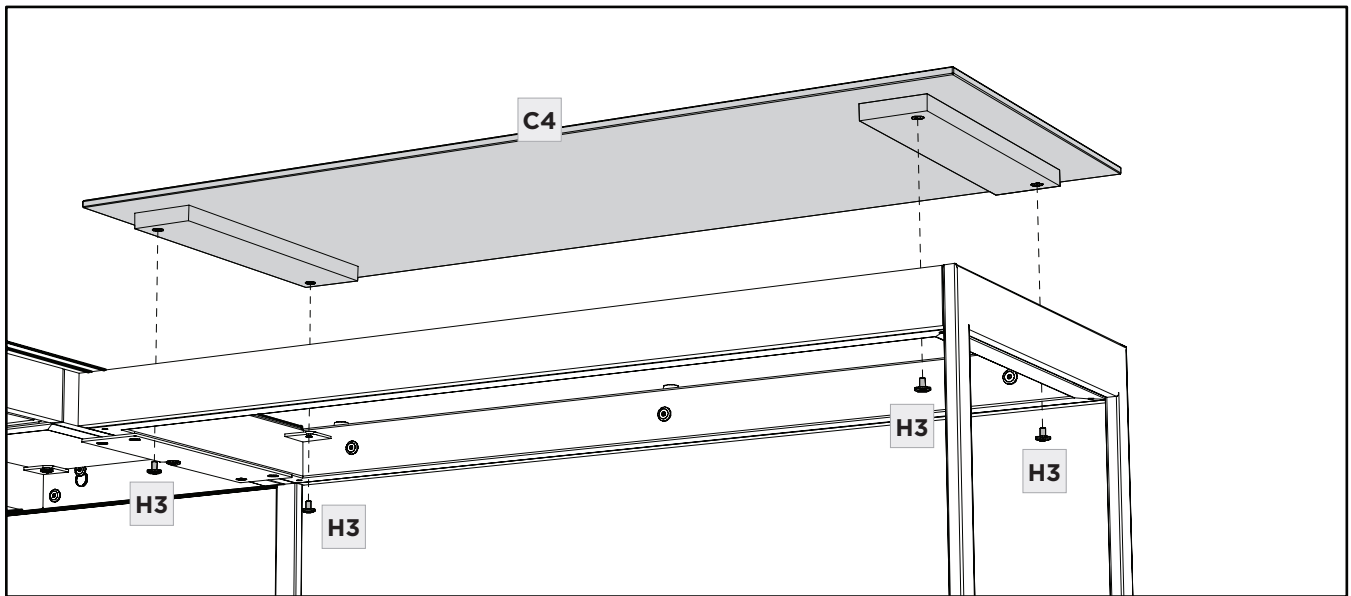
Insert **(H2) Flathead Screws** into the left and right holes on the **(C3) Connector Plate** and tighten with **(T1) Hex Wrench**.



	PART/DESCRIPTION	QTY
	T1-HEX WRENCH	1
	H2-FLATHEAD SCREW	2

Attach **(C4) Top Panel** by placing it on top of the return and fastening with **(H3) Screws** going through the metal tabs in the corners and into the inserts on the underside of the **(C4) Top Panel**. Make sure the gap between desk glass and return glass is even, then tighten with **(T1) Hex Wrench**.

	PART/DESCRIPTION	QTY
	T1-HEX WRENCH	1
	H3-SCREW	4






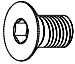
## STEP 7. INSTALL TOP PANEL

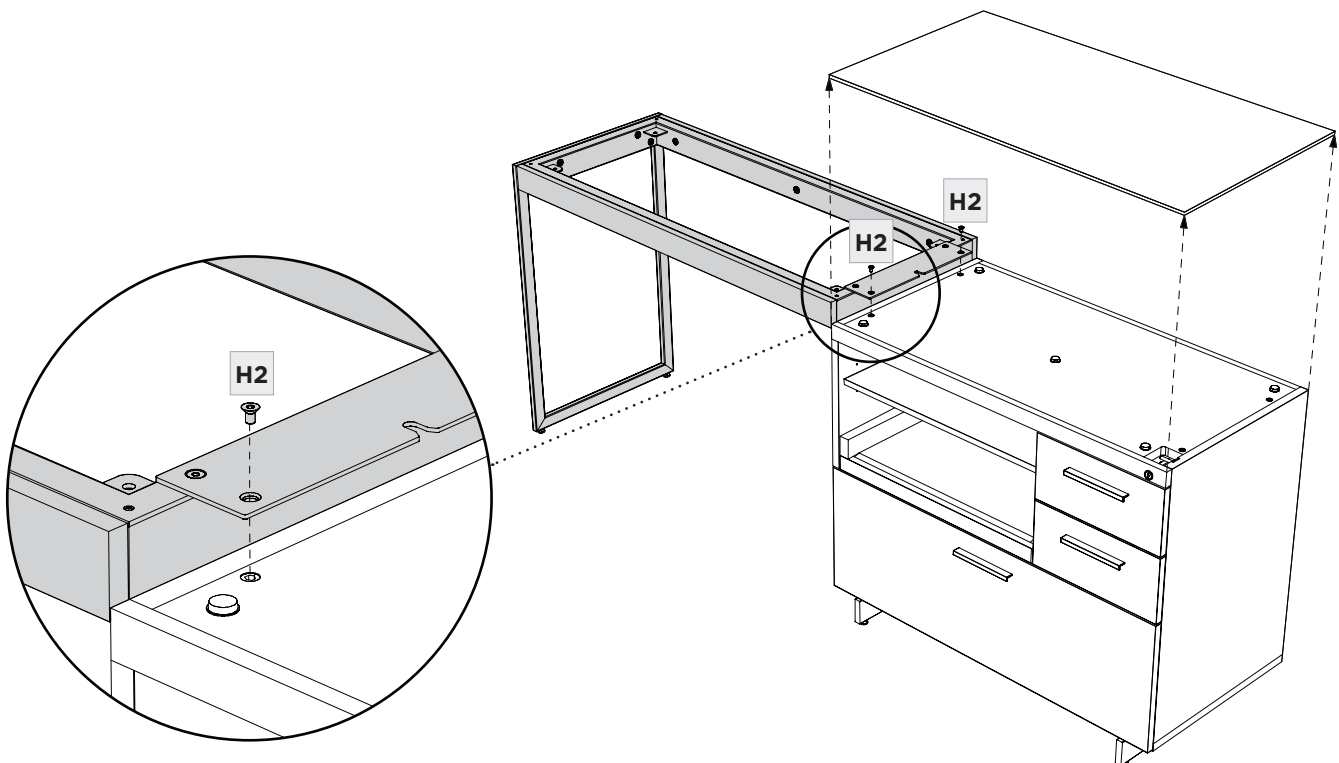
## ASSEMBLY

The return may be attached to the left or right side of the following cabinets:

- 6114 3 Drawer File Pedestal
- 6116 Lateral File
- 6117 Multi-Function Cabinet—shown below

First, remove the glass top from the cabinet. Attach the **(C3) Connector Plate** to the cabinet using **(H2) Flathead Screws** going through the **(C3) Connector Plate** and into the 2 threaded holes on the top of the cabinet. Tighten with **(T1) Hex Wrench**. Re-install the glass top onto the cabinet.

	PART/DESCRIPTION	QTY
	T1-HEX WRENCH	1
	H2-FLATHEAD SCREW	2



Attach **(C4) Top Panel** by placing it on top of the return and fastening with **(H3) Screws** going through the metal tabs in the corners and into the inserts on the underside of the **(C4) Top Panel**. Make sure the gap between desk glass and return glass is even, then tighten with **(T1) Hex Wrench**.

	PART/DESCRIPTION	QTY
	T1-HEX WRENCH	1
	H3-SCREW	4

