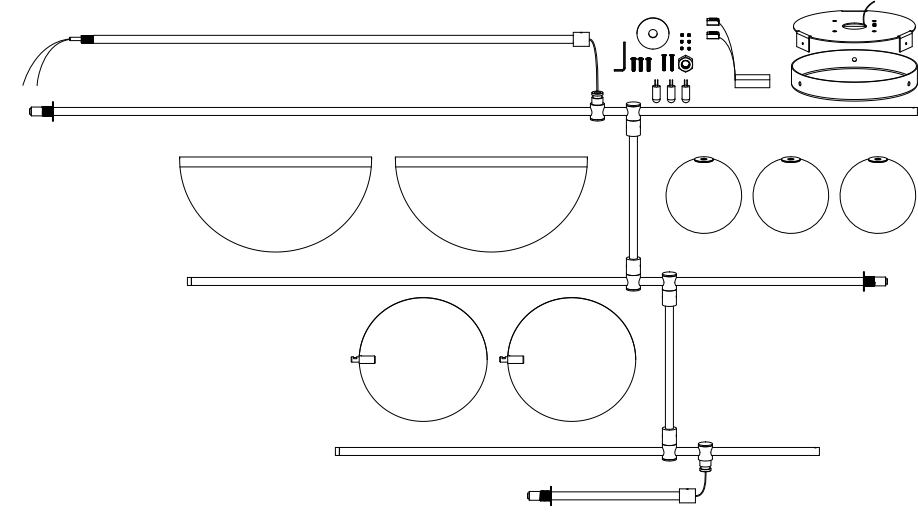
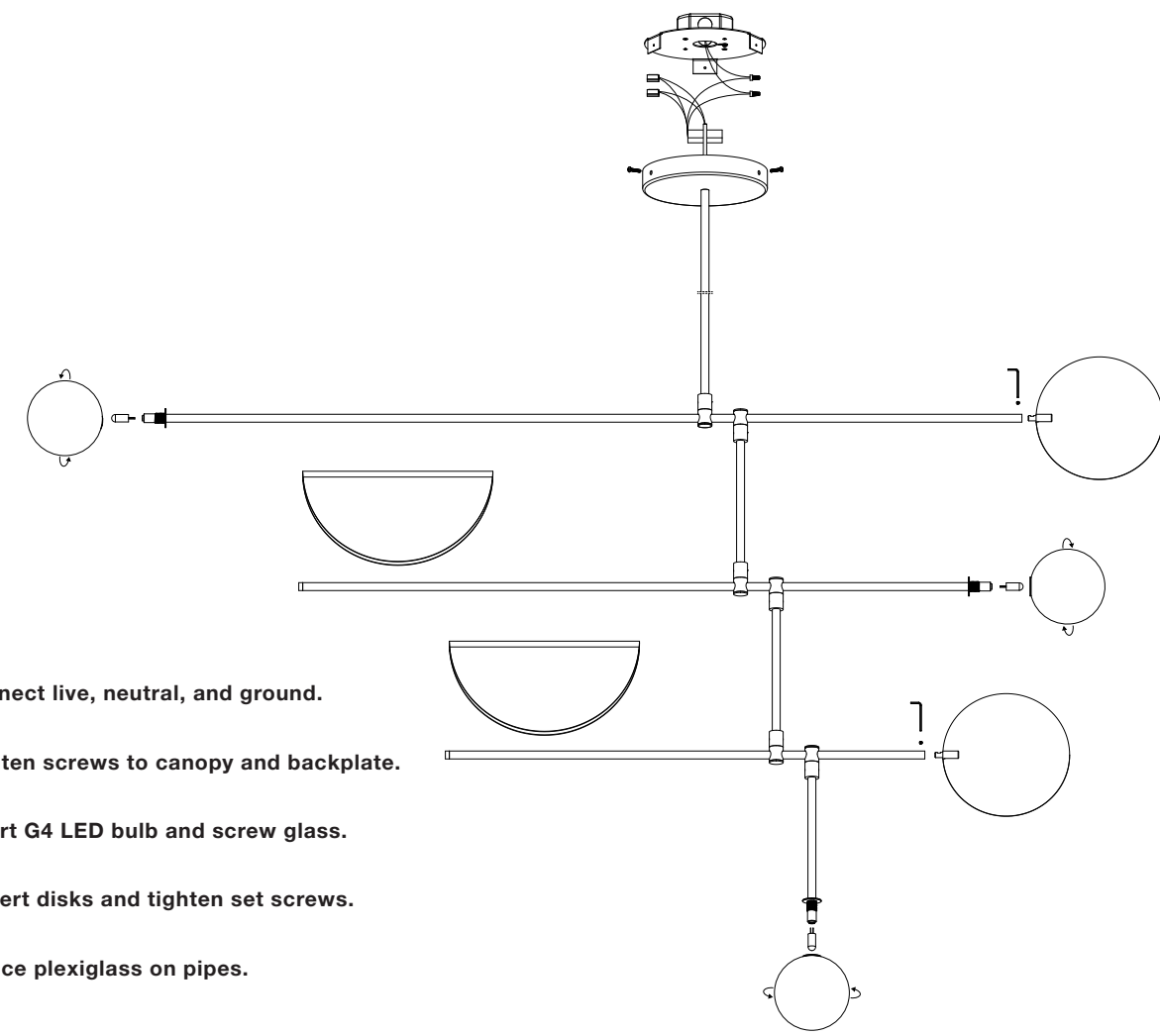


aa.



1. Disconnect power.



7. Connect live, neutral, and ground.

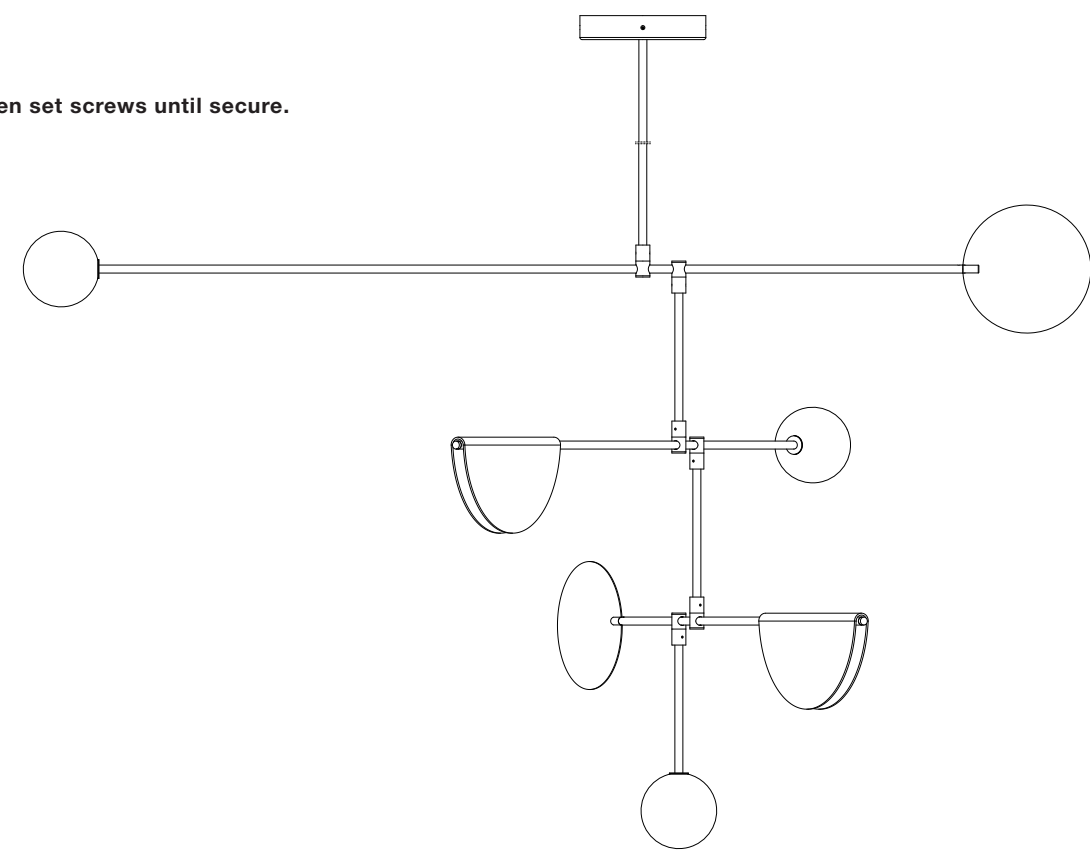
8. Tighten screws to canopy and backplate.

9. Insert G4 LED bulb and screw glass.

10. Insert disks and tighten set screws.

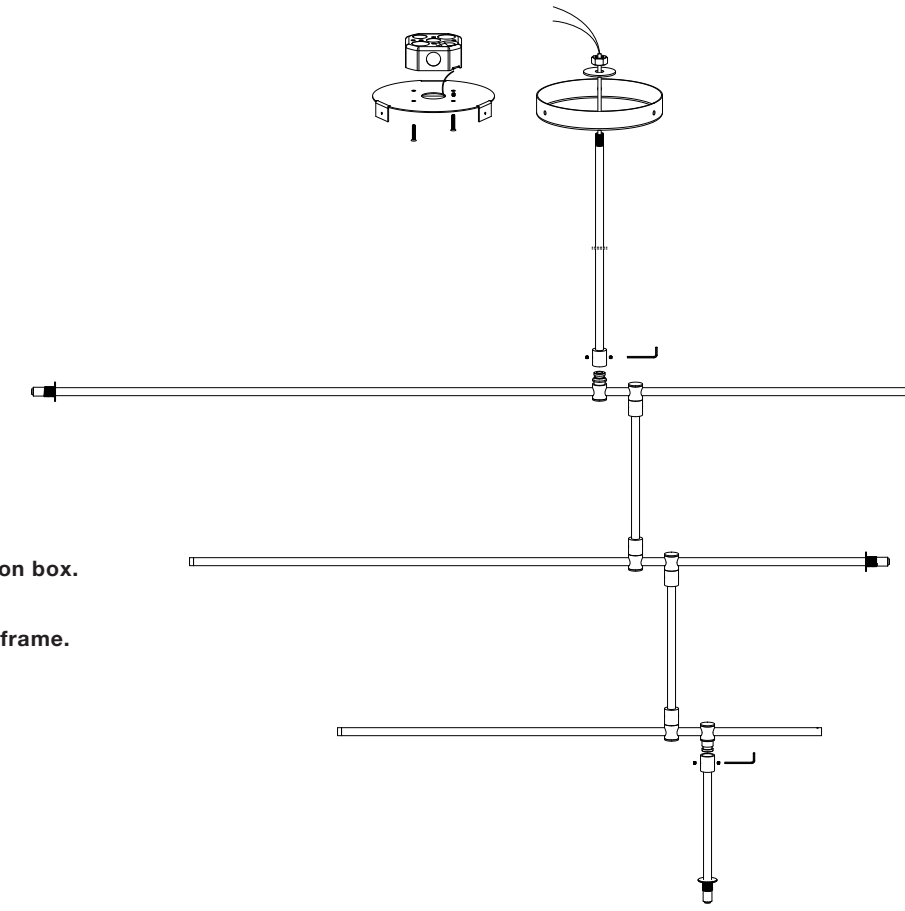
11. Place plexiglass on pipes.

13. Tighten set screws until secure.



lookbook,  
instructions.

anony.ca



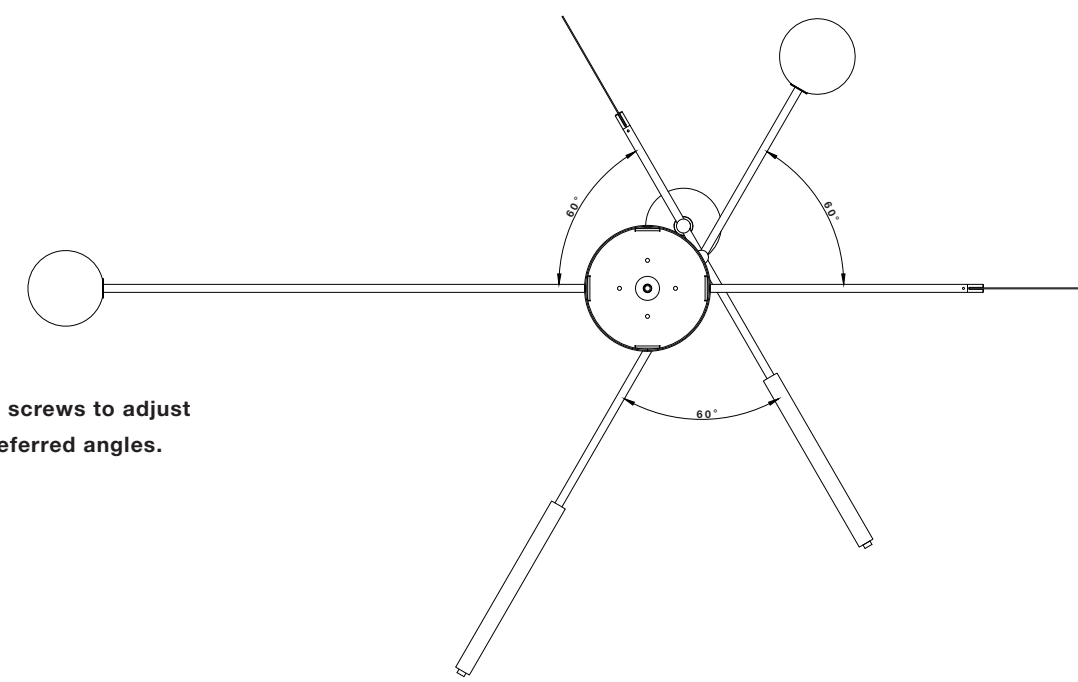
2. Screw backplate to junction box.

3. Connect vertical pipes to frame.

4. Tighten set screws.

5. Attach canopy to pipe.

6. Tighten nut with washer.



12. Loosen set screws to adjust  
arms to preferred angles.

Phase.

Suspension.

installation

instructions.

Installation to be completed by a licensed electrician.





# Phase. Suspension.

Hi, we're Anony. Based in Toronto, we're a lighting and product design studio.

As a Toronto based lighting and product design studio, local manufacturing capabilities and the latest technology are elemental to our design process.

We're concerned with the entire life cycle of our product. In pursuit of creating an object that has longevity, every stage of life is considered.

We design products that last. Thoughtful and honest material choices result in something that exudes quality and inspires care.

We're here for the long run. We are Anony.

Inspired by the exquisite balancing act found in hanging kinetic mobiles.

Phase light is an interpretation of a circle in three forms: a sphere, a disc, and a melted semi-circle. This vertical fixture is built from the bottom up to stay balanced. Every component of each tier is hand finished and weighted precisely before being attached to the arm. Each tier acts as a predictably weighted foundation for the tier above, where the process repeats.

Phase conceals its wires inside the arms while maintaining perfect parallel line structures. Rather than relying on adjustable parts—which shift over time and alter the geometry of the fixture—Phase achieves a fixed equilibrium with weight and steel piping.



Material: Steel, Aluminum, Glass, Plexiglass, LED.

Photography: Scott Norsworthy.

## Material Choice & Considerations.



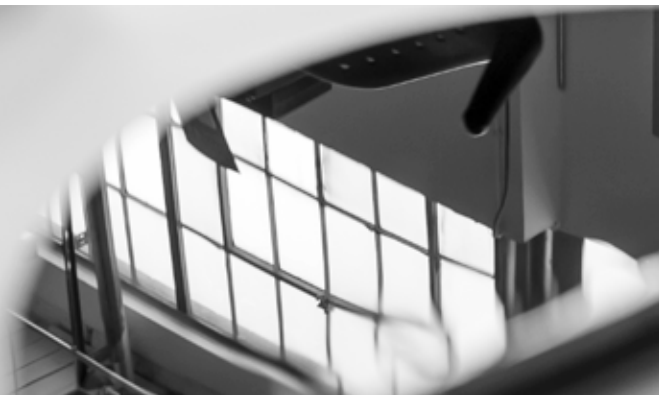
Steel: Pipe, disk, and joiners are made from steel due to its strength.

Hand Finishing: The metal is prepared by polishing and brushing lines before plating.

CNC Routed Plexiglass: Component made from CNC routed acrylic sheet. Edges are diamond polished. Melted and formed by hand.

Blown Glass: Three layer triplex opal glass globe.

Acid Etching: To give globe uniform light diffusion and a matte surface.



Phase balances lighting elements based on circular motifs: a sphere, a disc, and a melted semi-circle.

design: anony.

lookbook, instructions.

Informational purposes only, this side of the publication is intended to complement the Phase Suspension. 2019. anony.

