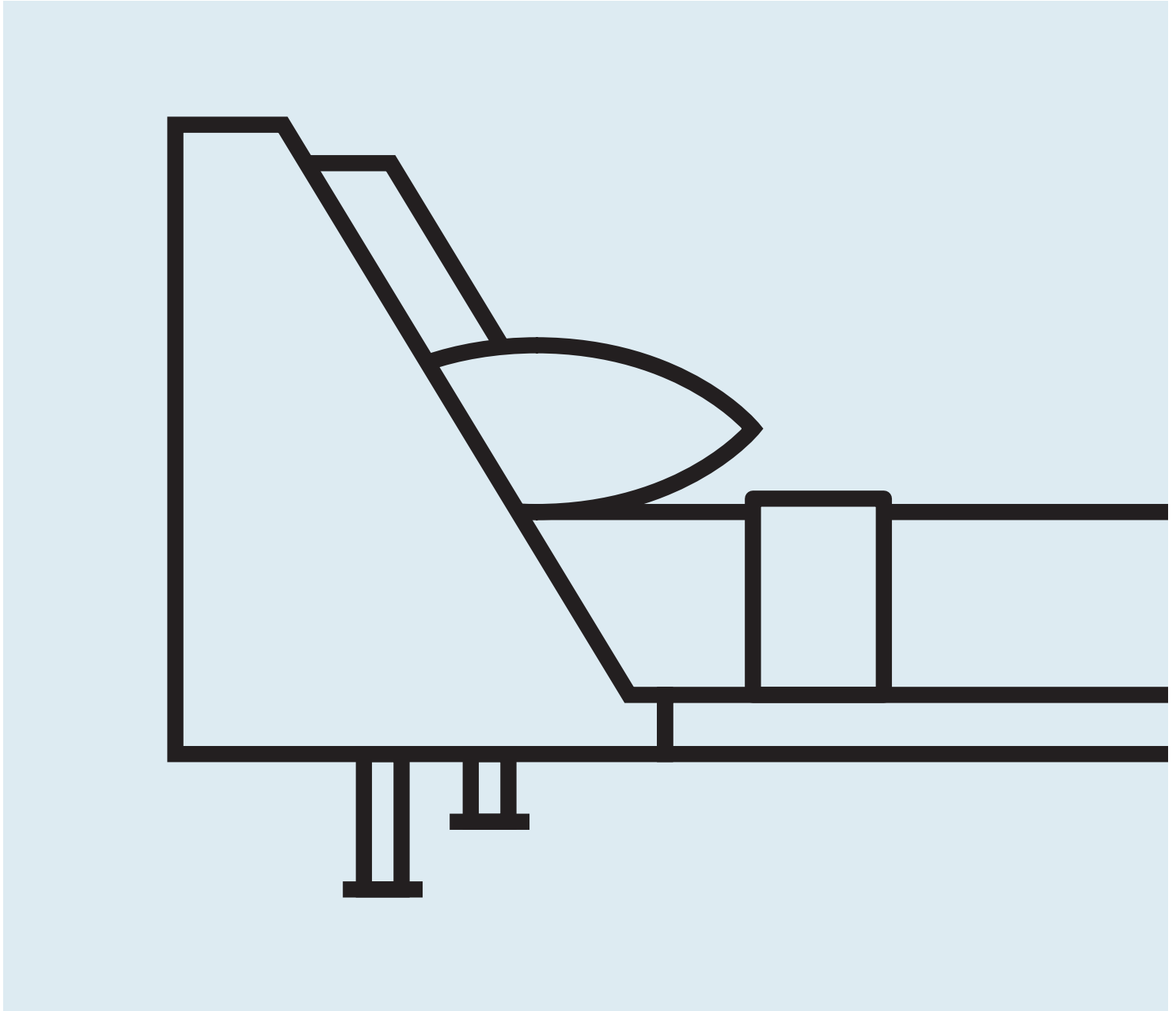
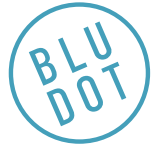


Nook Bed Collection

DESIGNED IN 2011

ASSEMBLY NOTES | REV 01



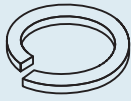
NEED A HAND?

Contact us at service@bludot.com or
844.425.8368 for assistance.

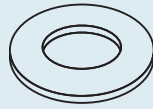
@BLUDOT

We design all our pieces in our Minneapolis studio. Follow
along on Instagram for some sneak peeks into the process.

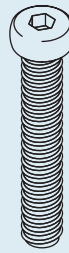
Parts & Hardware



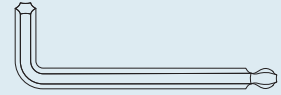
QTY 26
Pt. 3001



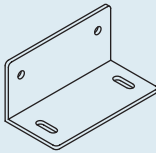
QTY 26
Pt. 3002



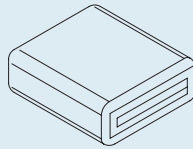
QTY 26
Pt. 1604



QTY 1
Pt. 9016



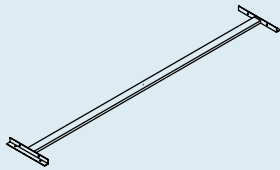
QTY 2
Corner Bracket



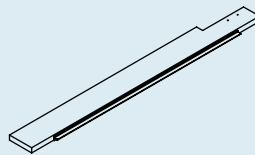
QTY 1*
Slip Cover



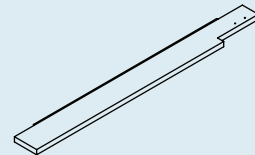
QTY 5
Leg



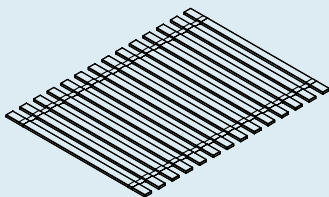
QTY 1
Center Rail



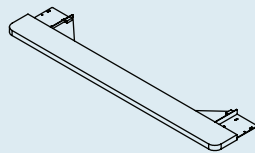
QTY 1
Left Side Rail



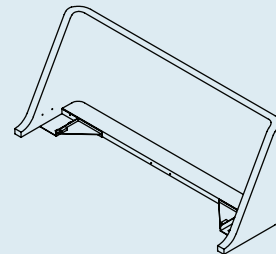
QTY 1
Right Side Rail



QTY 1
Slats



QTY 1
Footboard



QTY 1
Headboard

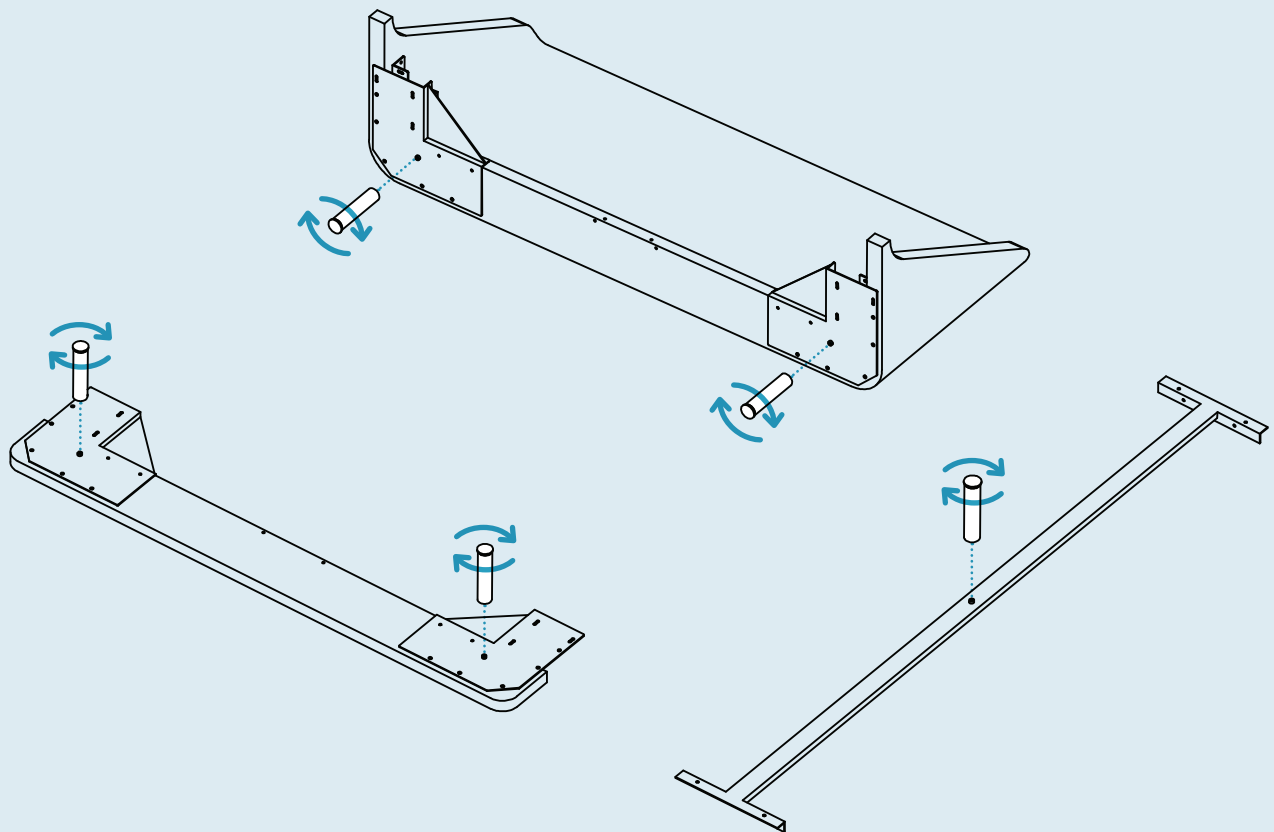
*Leather versions of this bed do not include a slip cover.

Step 01

INSTALL LEGS.

Assemble the bed on a soft, clean surface with the assistance of another individual.

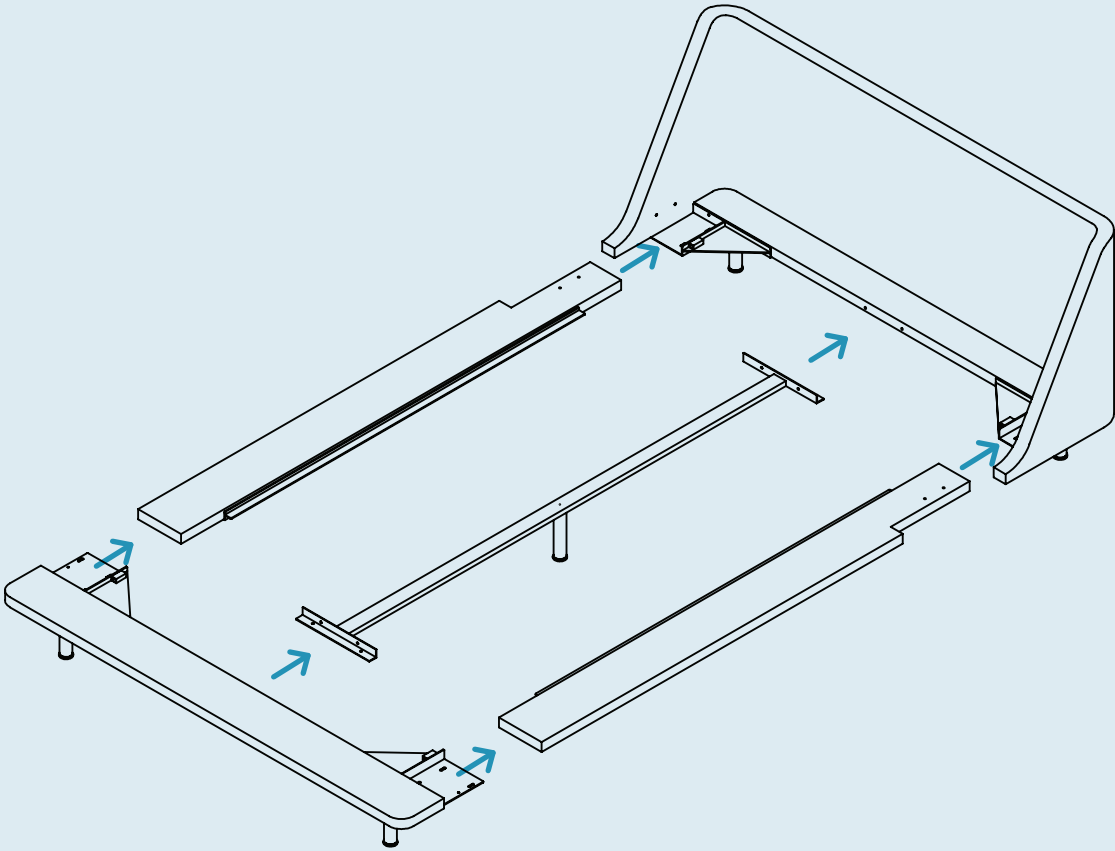
Attach legs to headboard, footboard, and center rail by threading them into place as shown.



Step 02

ALIGN BED PARTS.

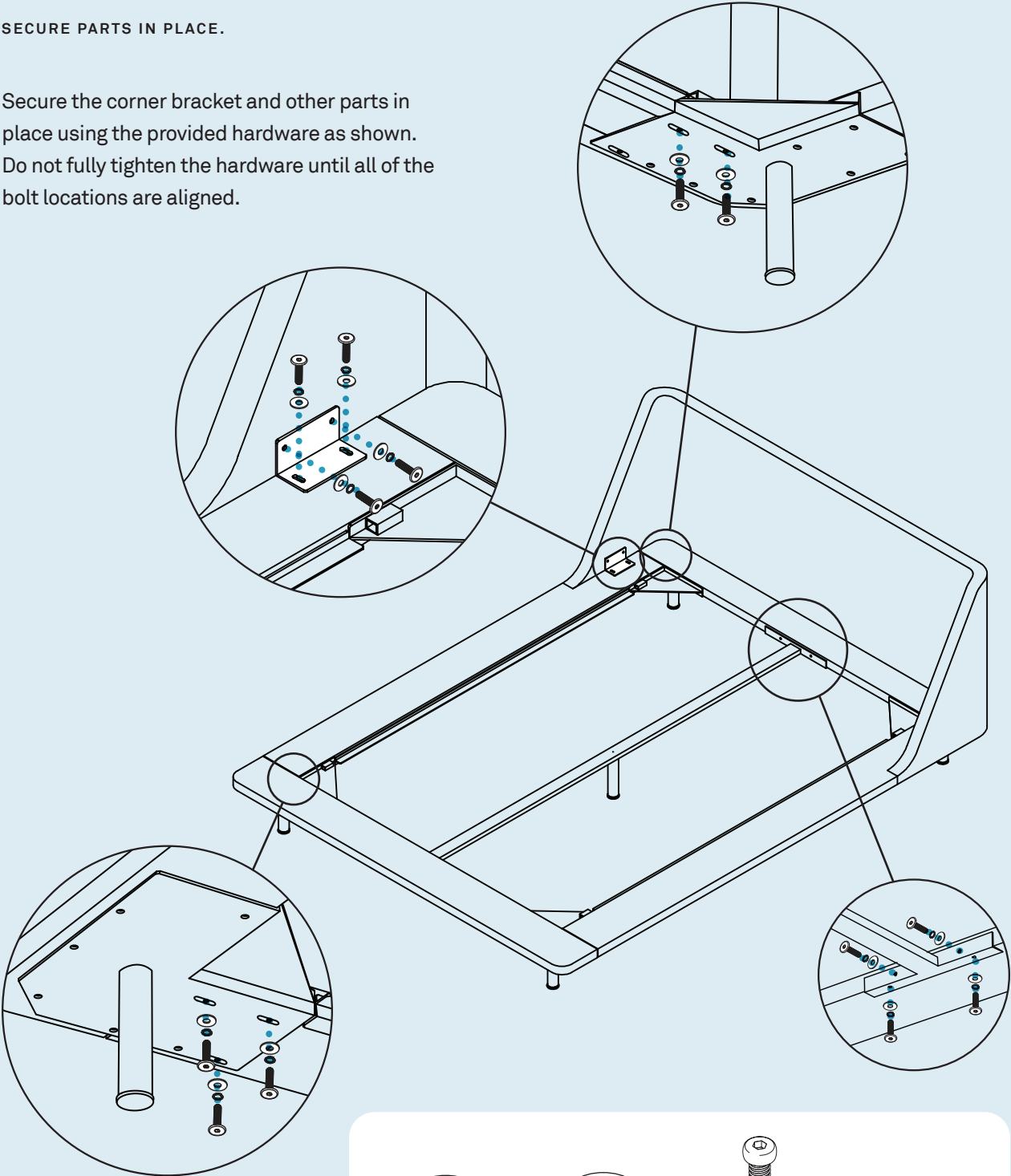
Carefully align parts in place as shown.



Step 03

SECURE PARTS IN PLACE.

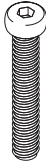
Secure the corner bracket and other parts in place using the provided hardware as shown. Do not fully tighten the hardware until all of the bolt locations are aligned.



PT. 3001 x 26



PT. 3002 x 26



PT. 1604 x 26



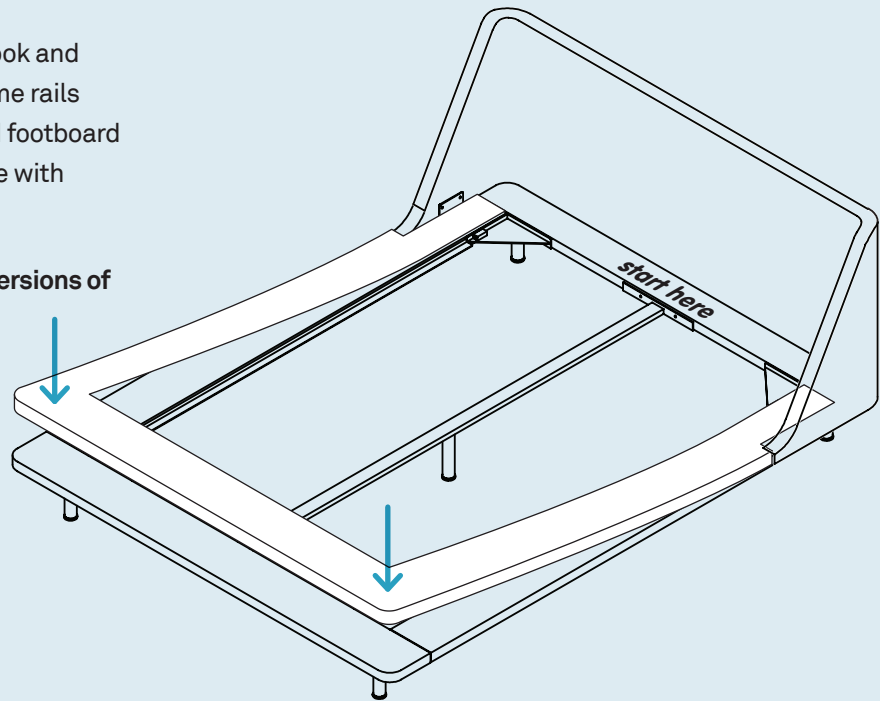
PT. 9016 x 1

Step 04

ATTACH SLIP COVER.

Starting at headboard, secure hook and loop fasteners between side frame rails and headboard. Continue toward footboard keeping edges smooth and in line with frame edges.

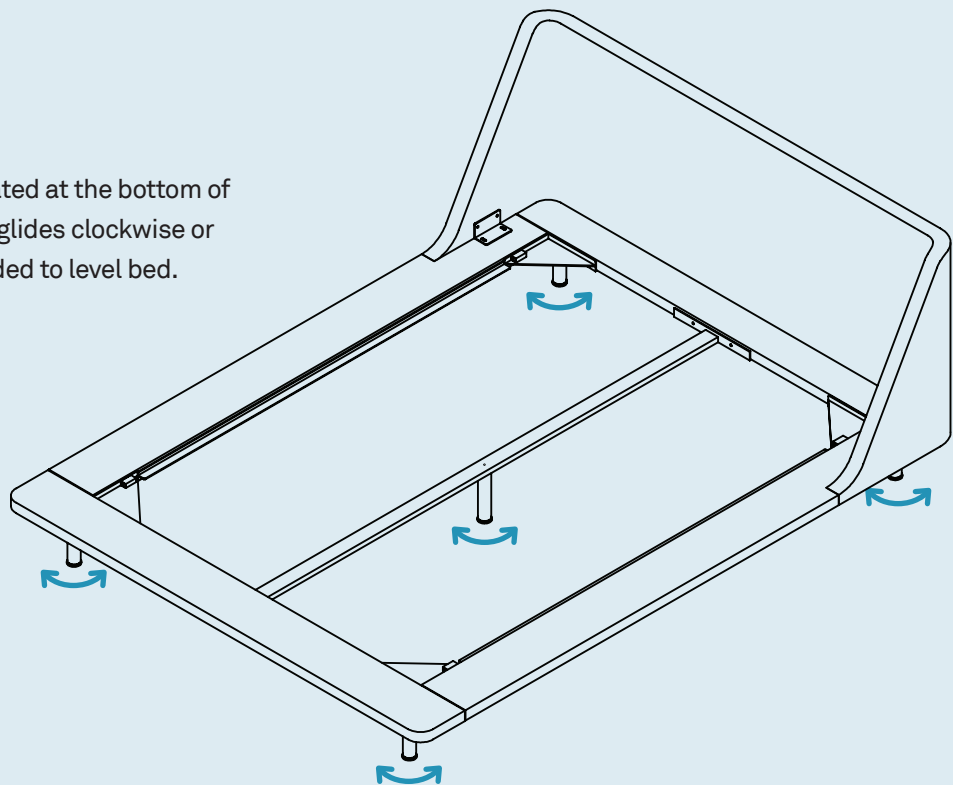
Note: Skip this step for leather versions of this bed.



Step 05

ENSURE BED IS LEVEL.

Adjustable glides are located at the bottom of each leg. Turn adjustable glides clockwise or counterclockwise as needed to level bed.



Step 06

INSTALL SLATS.

Starting at the headboard, unroll slats along frame. Ensure first and last slat are secured by metal blocking.

