

# Minimalista Side Table



DESIGNED IN 2007

ASSEMBLY NOTES | REV 00



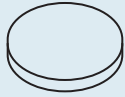
## NEED A HAND?

Contact us at [service@bludot.com](mailto:service@bludot.com) or  
**844.425.8368** for assistance.

## @BLUDOT

We design all our pieces in our Minneapolis studio. Follow  
along on Instagram for some sneak peeks into the process.

# Parts & Hardware - Marble/Glass Top



QTY

4

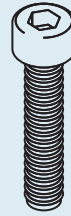
QTY

Pt. 4007



4

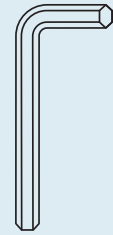
Pt. 4008



QTY

8

Pt. 1054



QTY

1

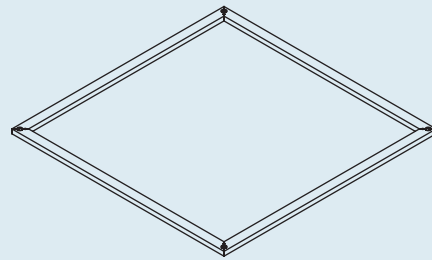
Pt. 9001



QTY

4

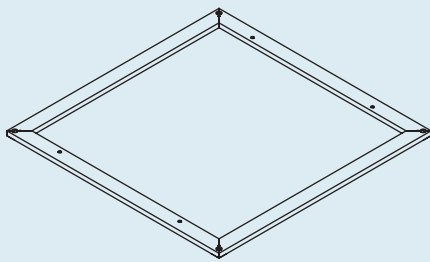
Leg



QTY

1

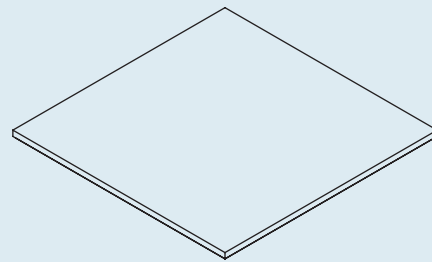
Frame Bottom



QTY

1

Frame Top

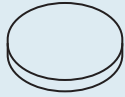


QTY

1

Top

# Parts & Hardware - Oak/Walnut Top



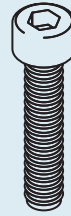
QTY 4

Pt. 4007



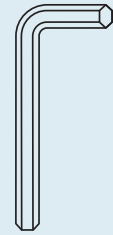
QTY 4

Pt. 1032



QTY 8

Pt. 1054



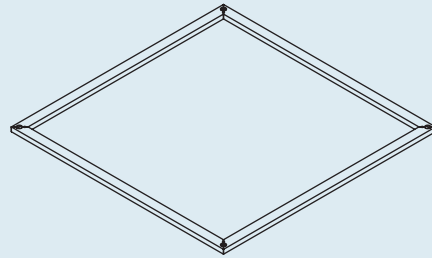
QTY 1

Pt. 9001



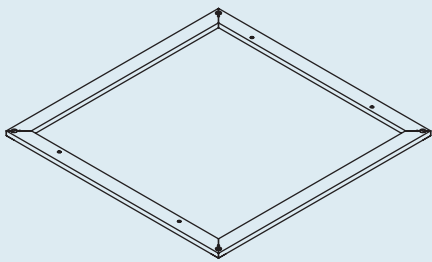
QTY 4

Leg



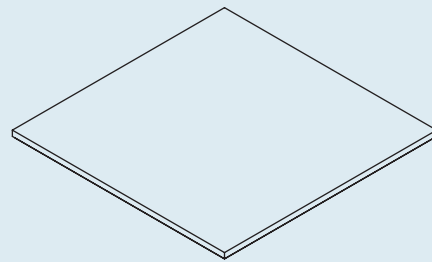
QTY 1

Frame Bottom



QTY 1

Frame Top



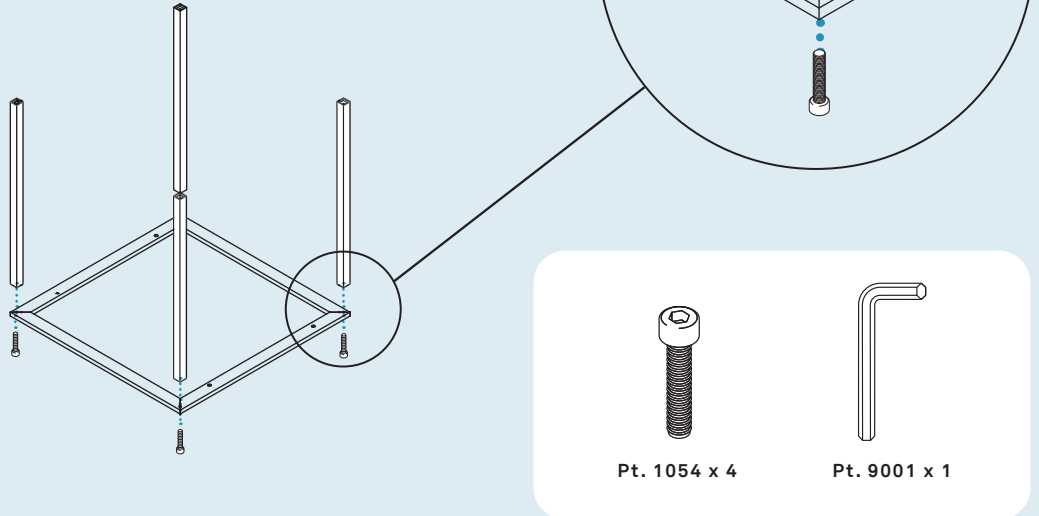
QTY 1

Top

## Marble/Glass - Step 01

### ATTACH LEGS.

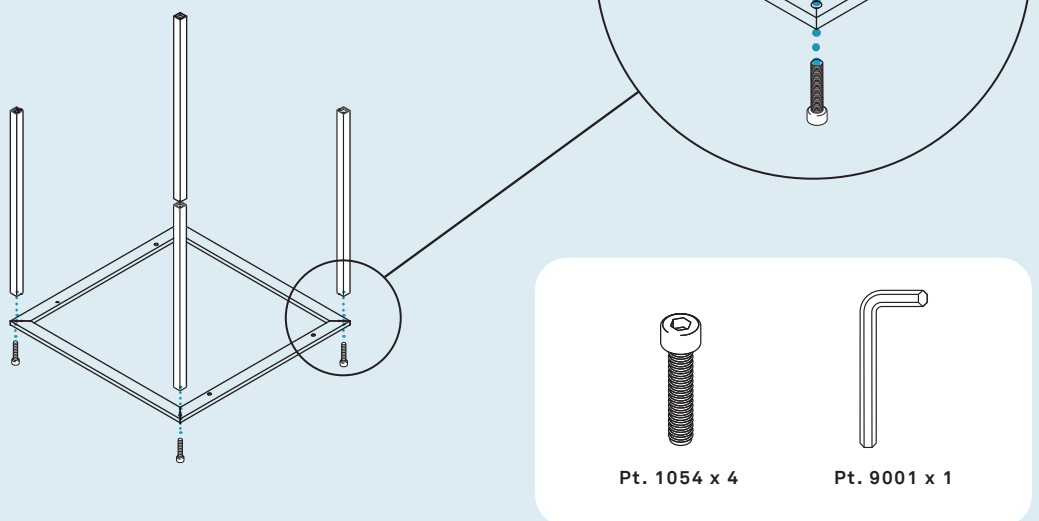
Attach the legs to top frame using the provided hardware as shown.



## Oak/Walnut - Step 01

### ATTACH LEGS.

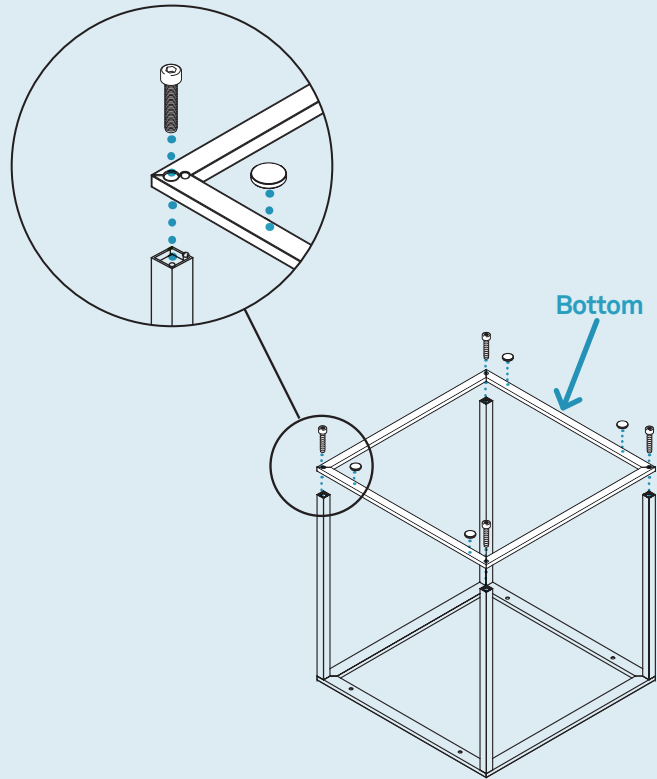
Attach the legs to top frame using the provided hardware as shown.



## Marble/Glass - Step 02

ATTACH BOTTOM.

Attach the bottom frame using the provided hardware as shown.



Pt. 1054 x 4

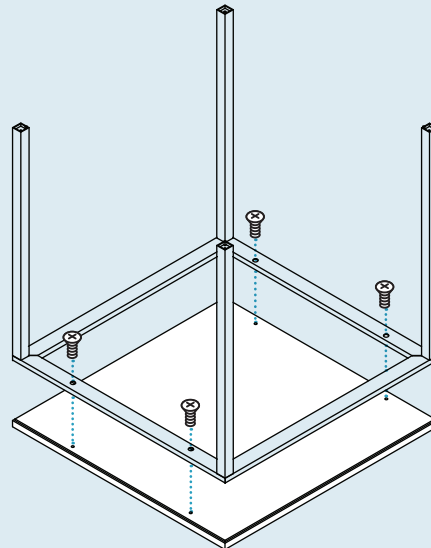


Pt. 4007 x 4

## Oak/Walnut - Step 02

ATTACH THE TOP.

Attach the top using the provided hardware as shown.

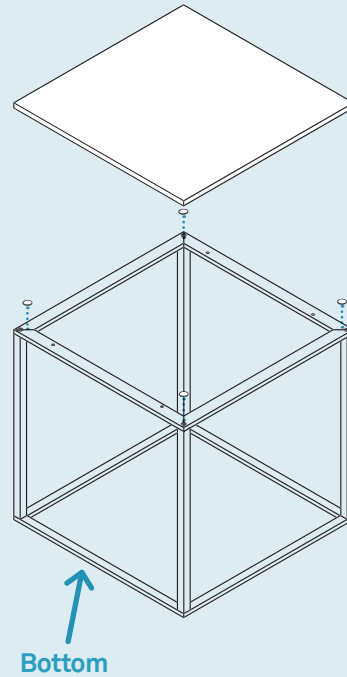
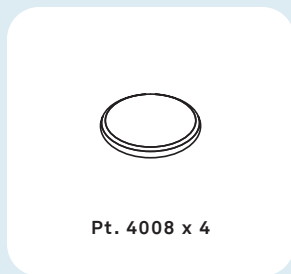


Pt. 1032 x 4

## Marble/Glass - Step 03

### ATTACH THE TOP.

Attach the top using the provided hardware as shown.



## Oak/Walnut - Step 03

### ATTACH BOTTOM.

Attach the bottom of the frame using the provided hardware as shown.

