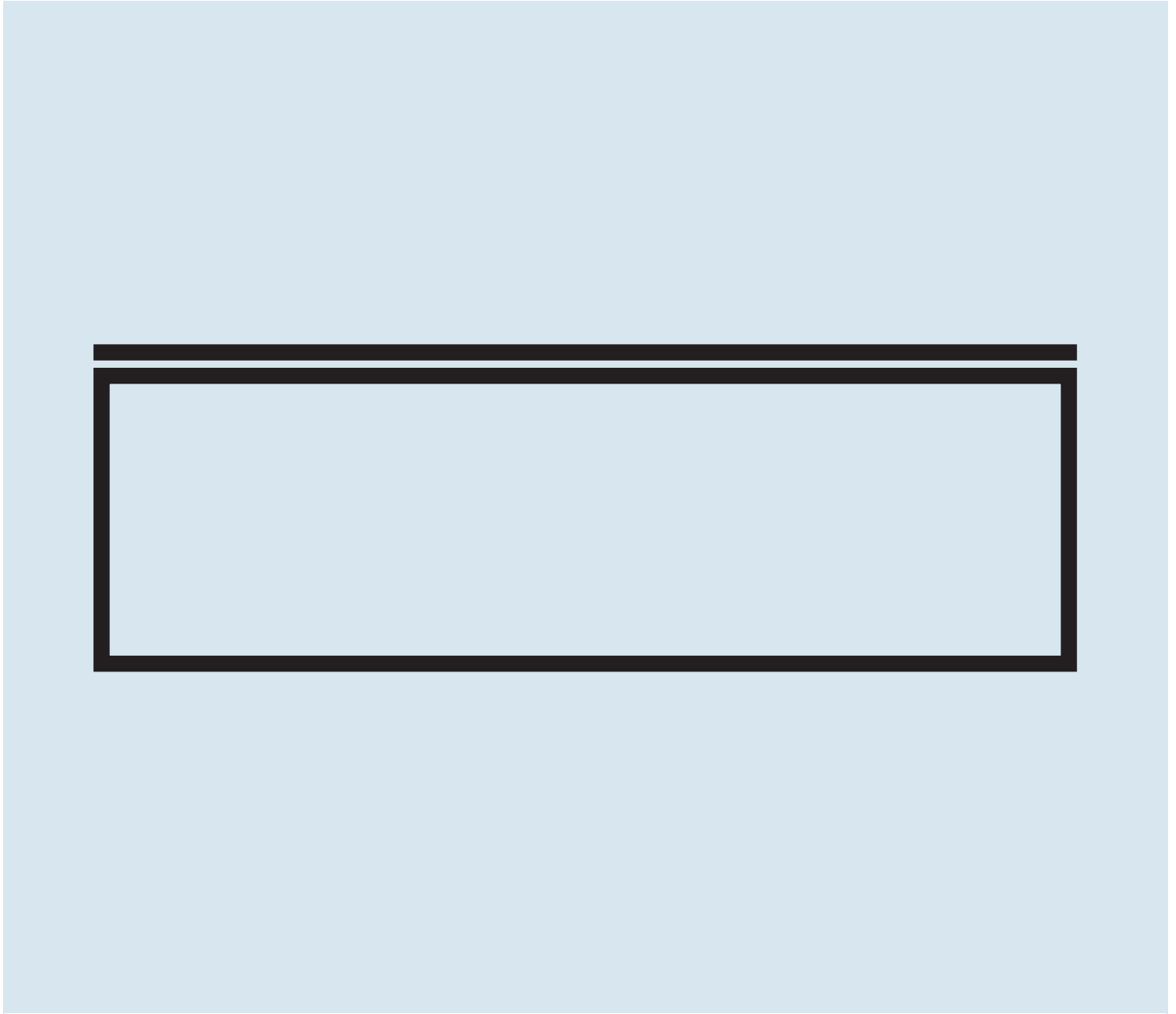


Minimalista Coffee Table



DESIGNED IN 2007

ASSEMBLY NOTES | REV 03



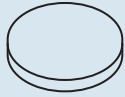
SOMETIMES DESIGN IS ALL ABOUT THE CONFIDENT WHISPER.

Nothing but the bare essentials here.

NEED A HAND?

Contact us at service@bludot.com or
844.425.8368 for assistance.

Parts & Hardware - Marble/Glass Top



QTY

6*

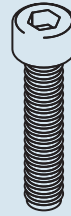
QTY

Pt. 4007



8

Pt. 4008



QTY

8

Pt. 1054



QTY

1

Pt. 9001



QTY

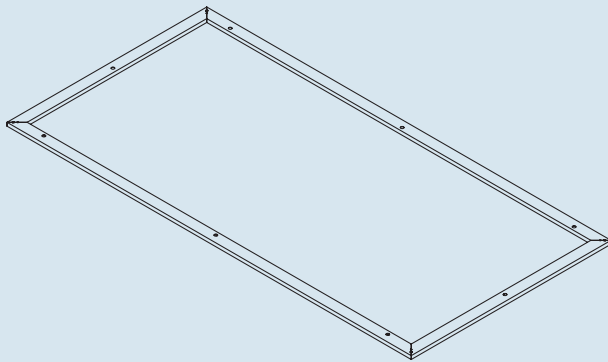
4

Leg

QTY

1

Frame Bottom



QTY

1

Frame Top

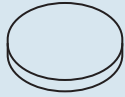
QTY

1

Top

*square coffee table ships with additional hardware

Parts & Hardware - Oak/Walnut Top



QTY

6*

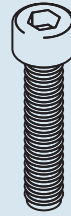
QTY

Pt. 4007



8*

Pt. 1032



QTY

8

QTY

Pt. 1054



1

Pt. 9001



QTY

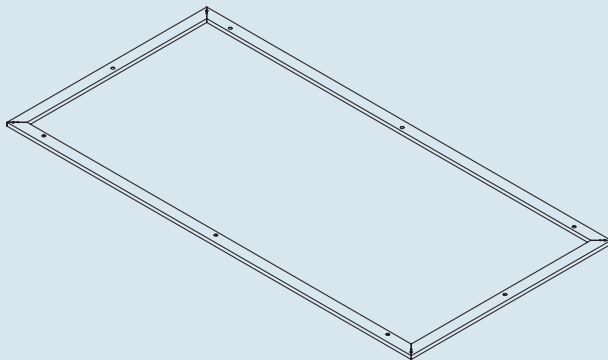
4

Leg

QTY

1

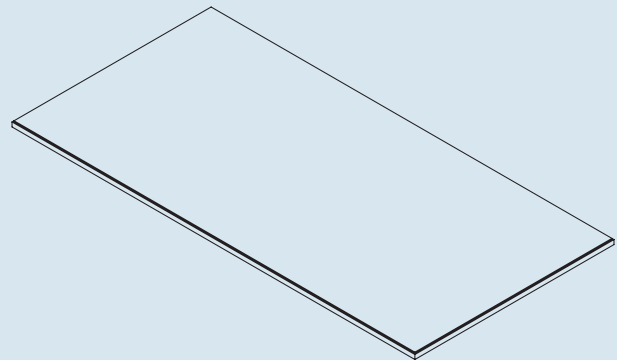
Frame Bottom



QTY

1

Frame Top



QTY

1

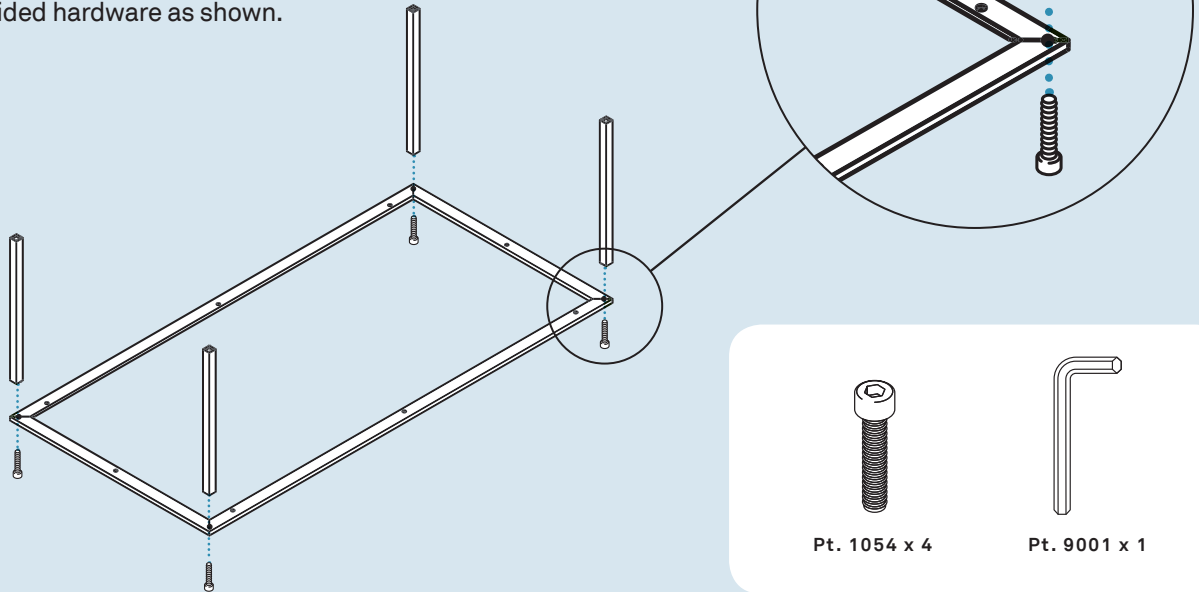
Top

*square coffee table ships with additional hardware

Marble/Glass - Step 01

ATTACH LEGS.

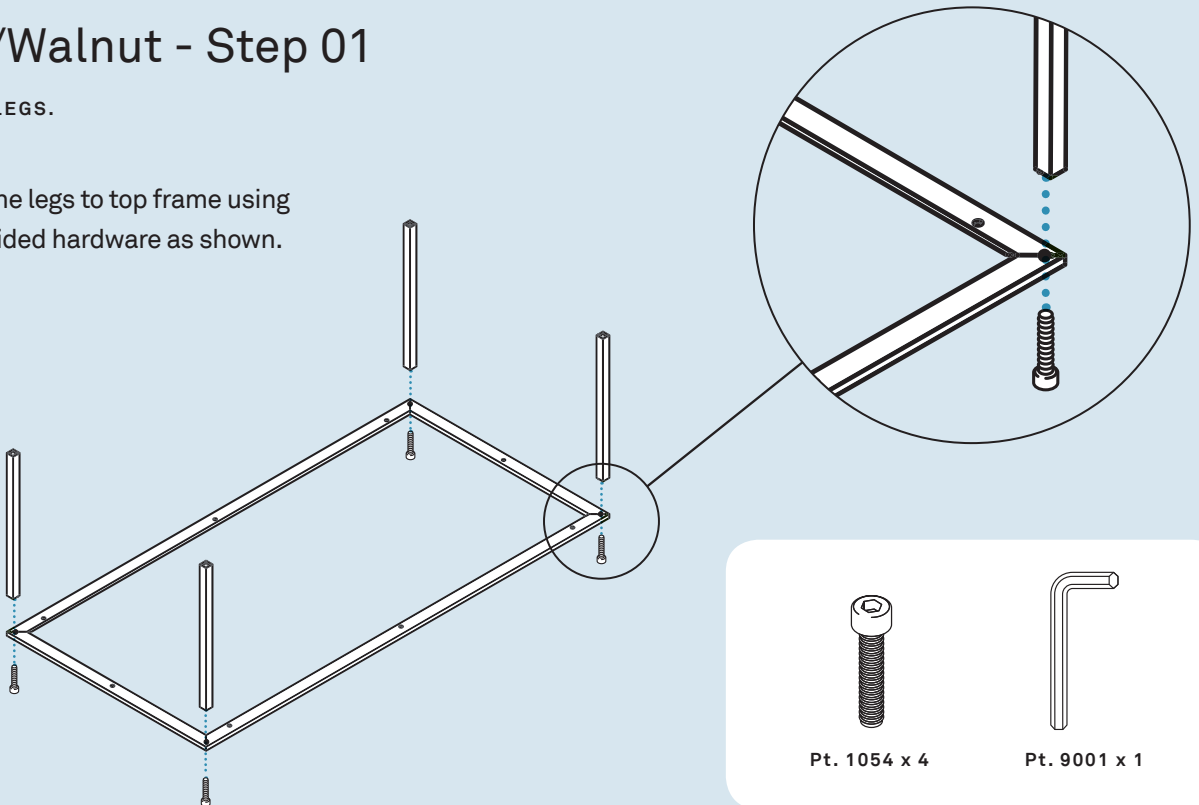
Attach the legs to top frame using the provided hardware as shown.



Oak/Walnut - Step 01

ATTACH LEGS.

Attach the legs to top frame using the provided hardware as shown.

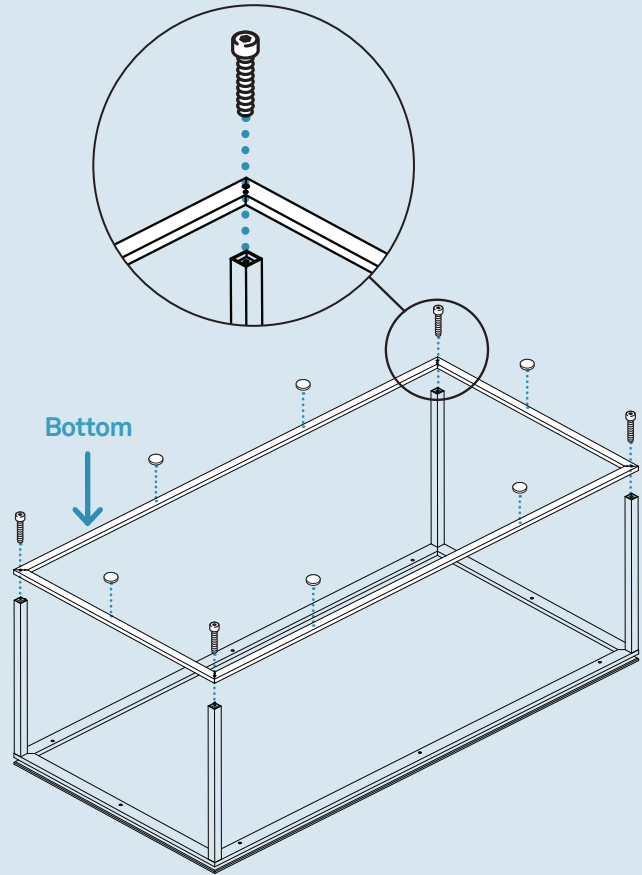
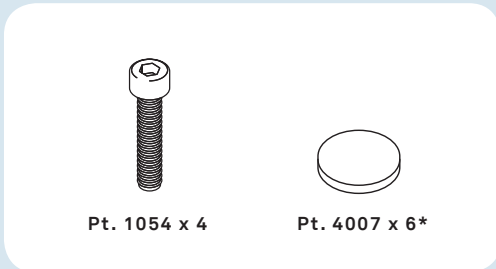


Marble/Glass - Step 02

ATTACH BOTTOM.

Attach the bottom frame using the provided hardware as shown.

NOTE: Square coffee table ships with x8 hardware pieces. Attach x2 per side of bottom frame.

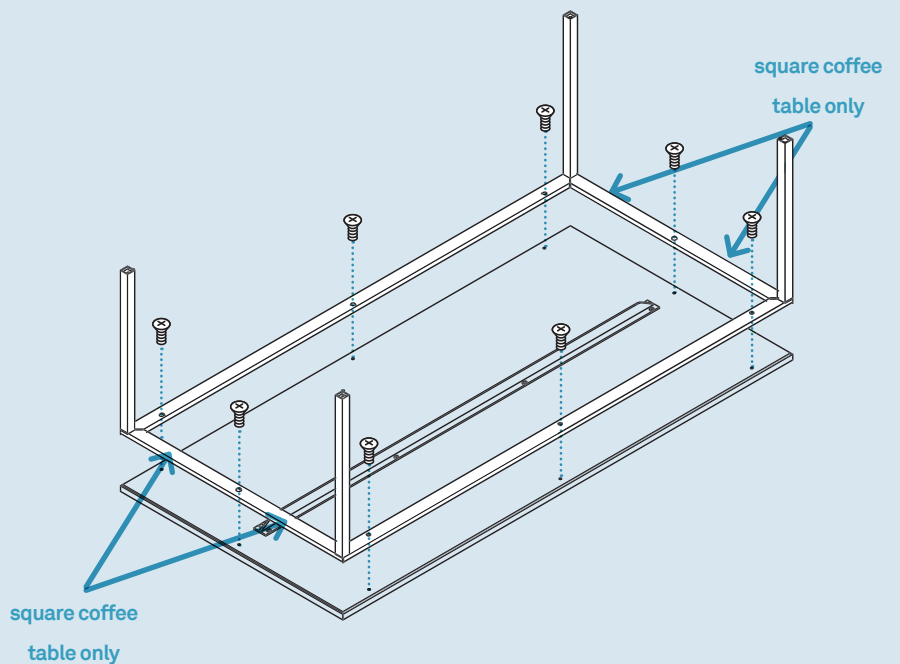
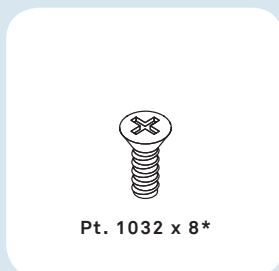


Oak/Walnut - Step 02

ATTACH THE TOP.

Attach the top using the provided hardware as shown.

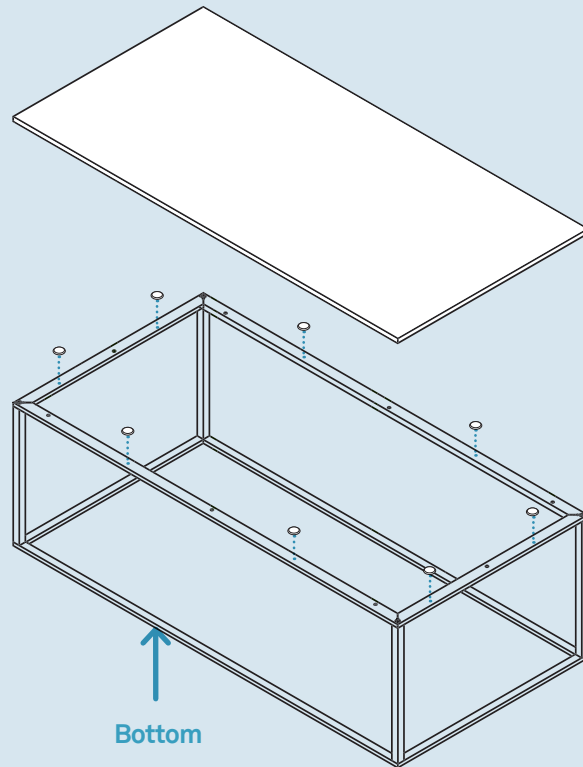
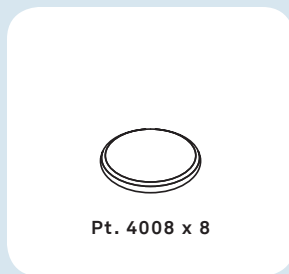
NOTE: Square coffee table ships with x12 hardware pieces. Additional attachment points called out.



Marble/Glass - Step 03

ATTACH THE TOP.

Attach the top using the provided hardware as shown.



Oak/Walnut - Step 03

ATTACH BOTTOM.

Attach the bottom of the frame using the provided hardware as shown.

NOTE: Square coffee table ships with x8 hardware pieces. Attach x2 per side of bottom frame.

