

# Minimalista Console Table



DESIGNED IN 2007

ASSEMBLY NOTES | REV 00



## NEED A HAND?

Contact us at [service@bludot.com](mailto:service@bludot.com) or  
**844.425.8368** for assistance.

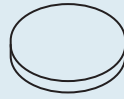
## @BLUDOT

We design all our pieces in our Minneapolis studio. Follow  
along on Instagram for some sneak peeks into the process.

# Parts & Hardware - Marble/Glass Top



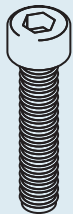
QTY 8  
Pt. 4008



QTY 6  
Pt. 4007



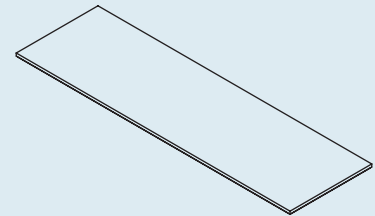
QTY 8  
Pt. 1033



QTY 8  
Pt. 1054



QTY 1  
Pt. 9001



QTY 1  
Marble/Glass Top



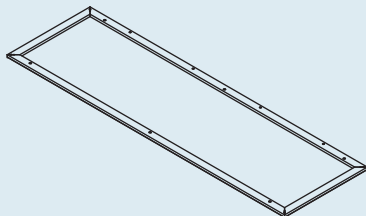
QTY 2  
Front Leg



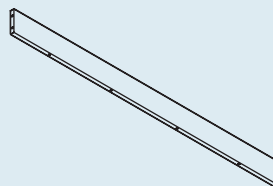
QTY 1  
Rear Right Leg



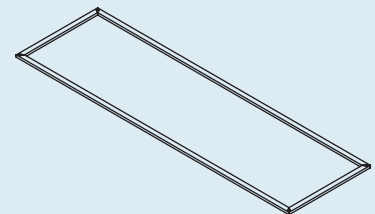
QTY 1  
Rear Left Leg



QTY 1  
Top Frame



QTY 1  
Rear Panel

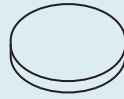


QTY 1  
Bottom Frame

# Parts & Hardware - Oak/Walnut Top



QTY 8  
Pt. 1032



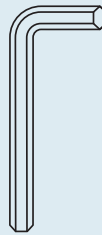
QTY 6  
Pt. 4007



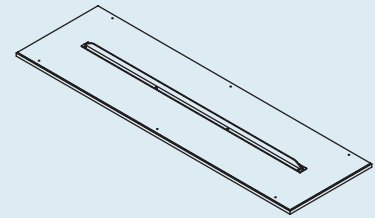
QTY 8  
Pt. 1033



QTY 8  
Pt. 1054



QTY 1  
Pt. 9001



QTY 1  
Wood Top



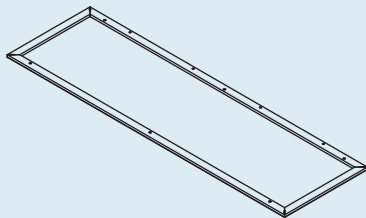
QTY 2  
Front Leg



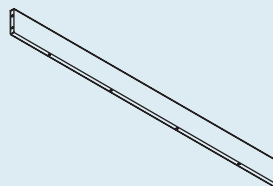
QTY 1  
Rear Right Leg



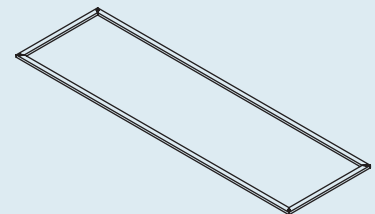
QTY 1  
Rear Left Leg



QTY 1  
Top Frame



QTY 1  
Rear Panel



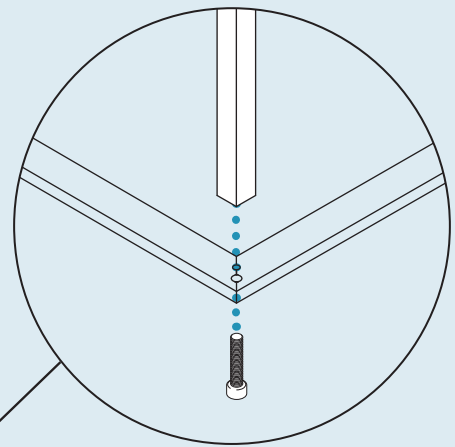
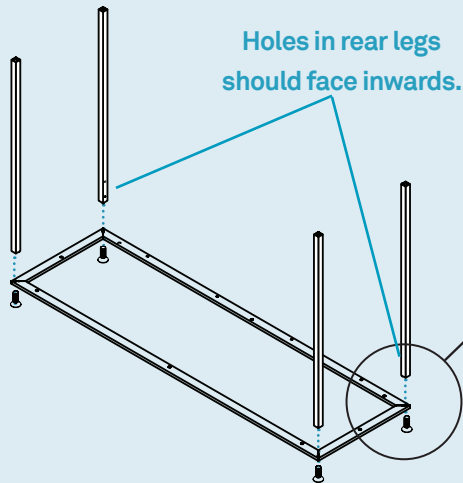
QTY 1  
Bottom Frame

# Marble/Glass - Step 01

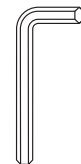
## ATTACH LEGS.

Assemble on a flat, soft surface.

Attach the legs to top frame using the provided hardware as shown.



Pt. 1054 x 4



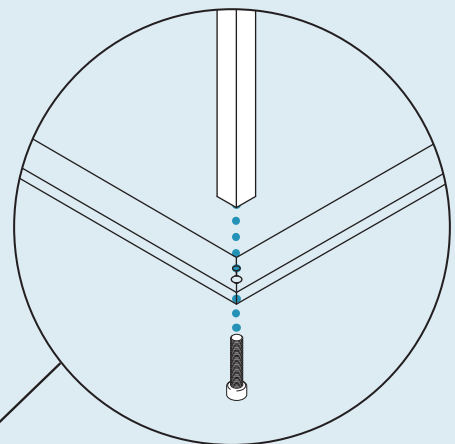
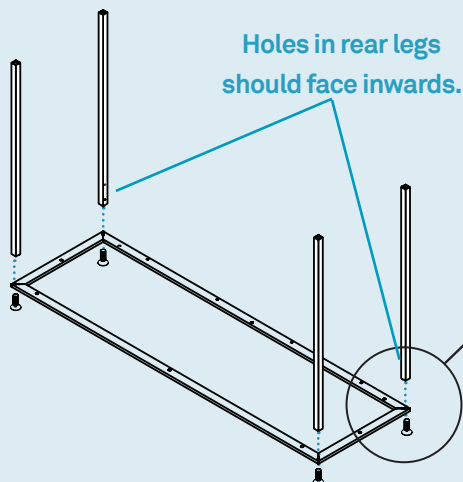
Pt. 9001 x 1

# Oak/Walnut - Step 01

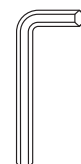
## ATTACH LEGS.

Assemble on a flat, soft surface.

Attach the legs to top frame using the provided hardware as shown.



Pt. 1054 x 4

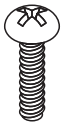


Pt. 9001 x 1

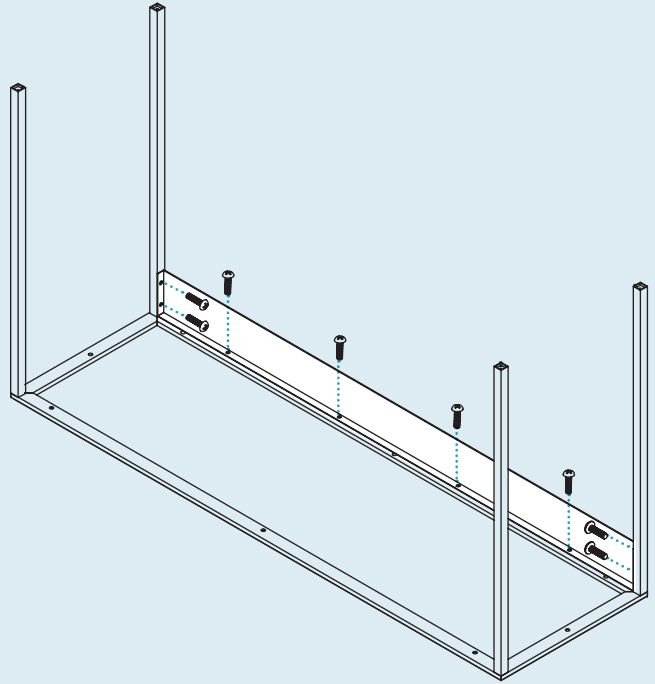
## Marble/Glass - Step 02

### ATTACH REAR PANEL.

Attach the rear panel to top frame and rear legs using the provided hardware as shown.



Pt. 1033 x 8



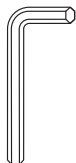
## Oak/Walnut - Step 02

### ATTACH BOTTOM.

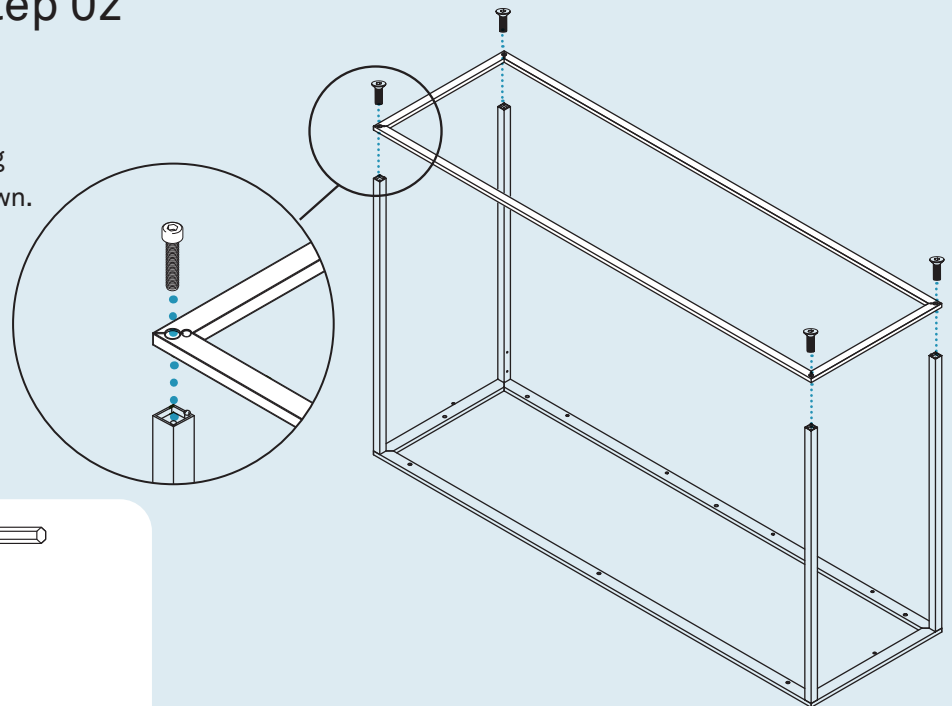
Attach the bottom frame using the provided hardware as shown.



Pt. 1054 x 4



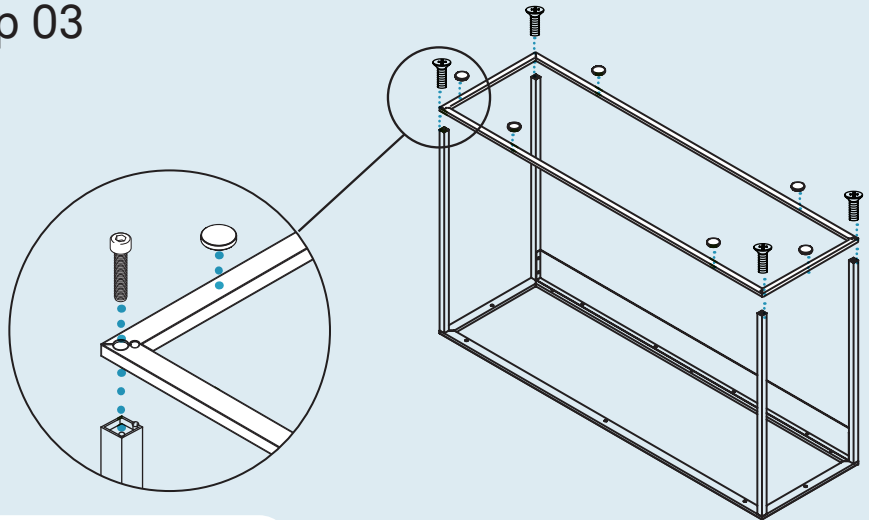
Pt. 9001 x 1



## Marble/Glass - Step 03

ATTACH BOTTOM.

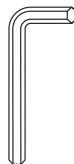
Attach the bottom of the frame using the provided hardware as shown.



Pt. 4007 x 6



Pt. 1054 x 4

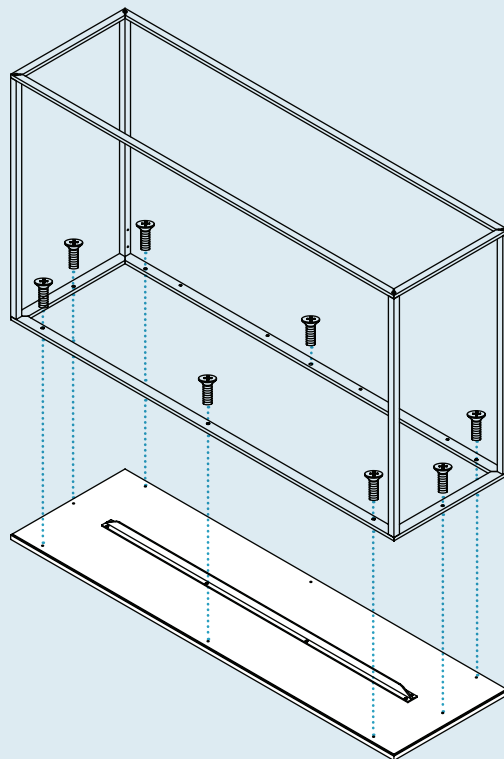


Pt. 9001 x 1

## Oak/Walnut - Step 03

ATTACH THE TOP.

Attach the wood top using the provided hardware as shown.

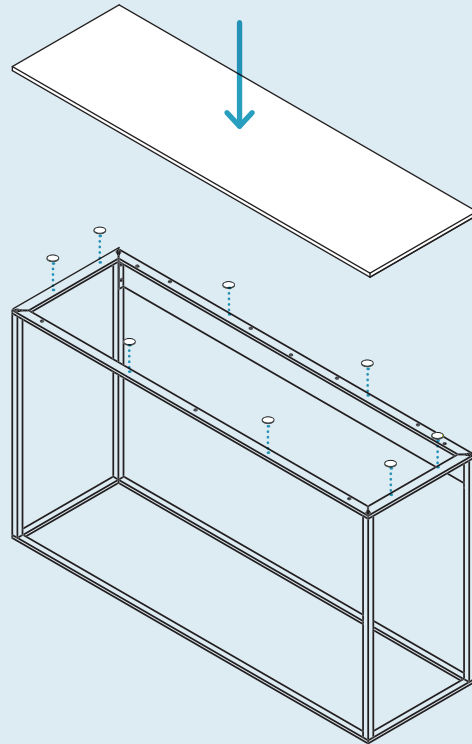
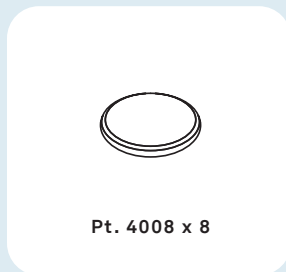


Pt. 1032 x 8

## Marble/Glass - Step 04

### ATTACH MARBLE/GLASS TOP.

Flip the frame upright and place the marble or glass top onto the frame as shown.



## Oak/Walnut - Step 04

### ATTACH REAR PANEL.

Attach the rear panel to top frame and rear legs using the provided hardware as shown.

