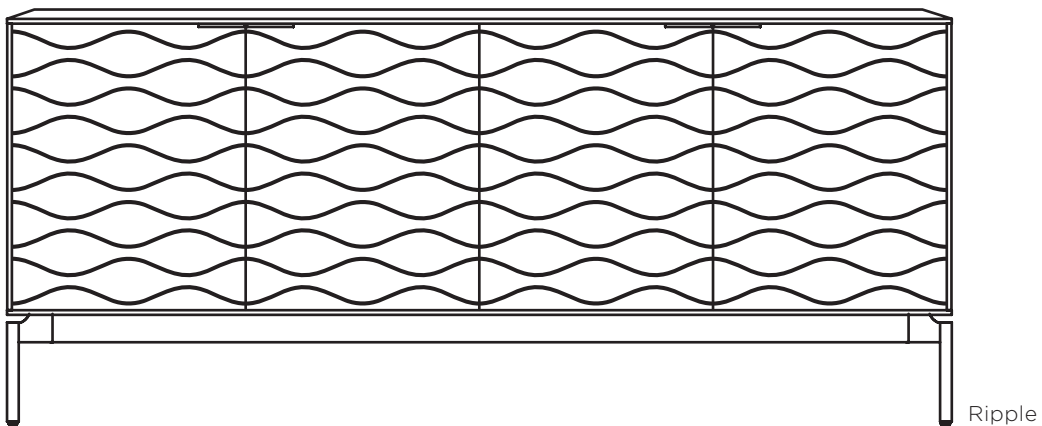
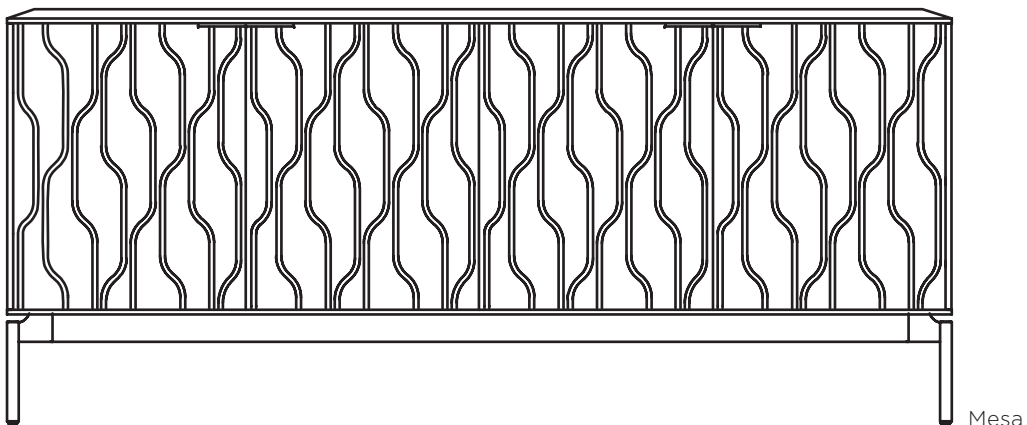


MESA™ 7639 |
CREDENZA

RIPPLE™ 7629

INSTRUCTION MANUAL

LET'S GET STARTED.



DESIGN JASON GUIDRY

BDi

BDIUSA.COM



Congratulations on the purchase of your Mesa/Ripple Credenza from BDI. Your credenza has been designed to provide a lifetime of enjoyment. This manual will provide assembly instructions and other helpful information to ensure you get the most out of your product. Please save it for future reference.

Your Mesa/Ripple Credenza has been engineered for simple assembly. Please follow these directions carefully to prevent any damage.

Should you need further assistance, contact BDI at customerservice@bdiusa.com.

ENJOY!


HARDWARE AND COMPONENTS

Unpack and identify the parts listed below. The assembly workspace should be a non-marring surface, such as carpet. For missing hardware pieces, please contact BDI Customer Service at customerservice@bdiusa.com. For all other concerns, please contact your BDI retailer.

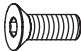
Do not use power tools for the assembly of this product.



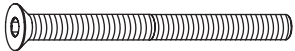
TOOL REQUIRED (NOT INCLUDED)
Phillips Screwdriver




Hex Wrench (T1) QTY: 1




Screw M6 x 16 (H1) QTY: 8




Screw M6 x 70 (H2) QTY: 6



Wood Screw (H3) QTY: 8



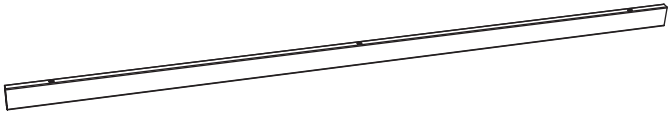
Shelf Pin (H4) QTY: 8



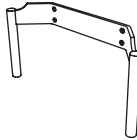
HARDWARE REQUIRED (NOT INCLUDED)
Drywall Anchor



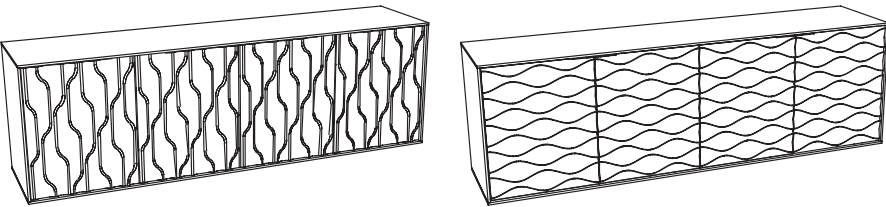
HARDWARE REQUIRED (NOT INCLUDED)
Drywall Screw



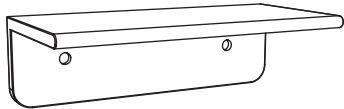
Spanner Tube (C1) QTY: 2



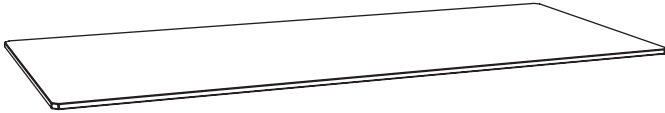
Leg (C2) QTY: 2



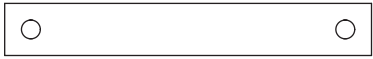
Mesa
Ripple
Cabinet (C3) QTY: 1



Door Pull (C4) QTY: 4



Shelf (C5) QTY: 2





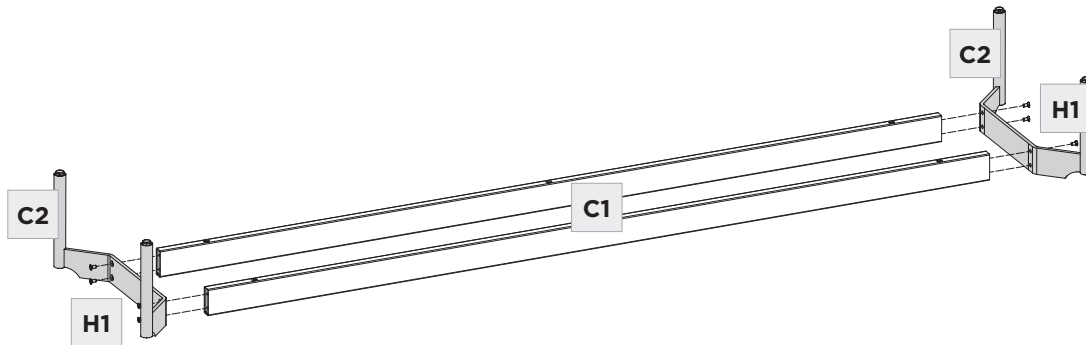
Wall Anchor Strap (C6) QTY: 1

STEP 1. ASSEMBLE BASE

ASSEMBLY

To assemble the Base, lay the **Spanners (C1)** on a soft, non-marring surface, like carpet. Attach the **Legs (C2)** to the **Spanners (C1)** using **8 Screws (H1)** and tighten with **Hex Wrench (T1)**.


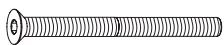
	HEX WRENCH – T1	QTY 1
	SCREW – H1	QTY 8

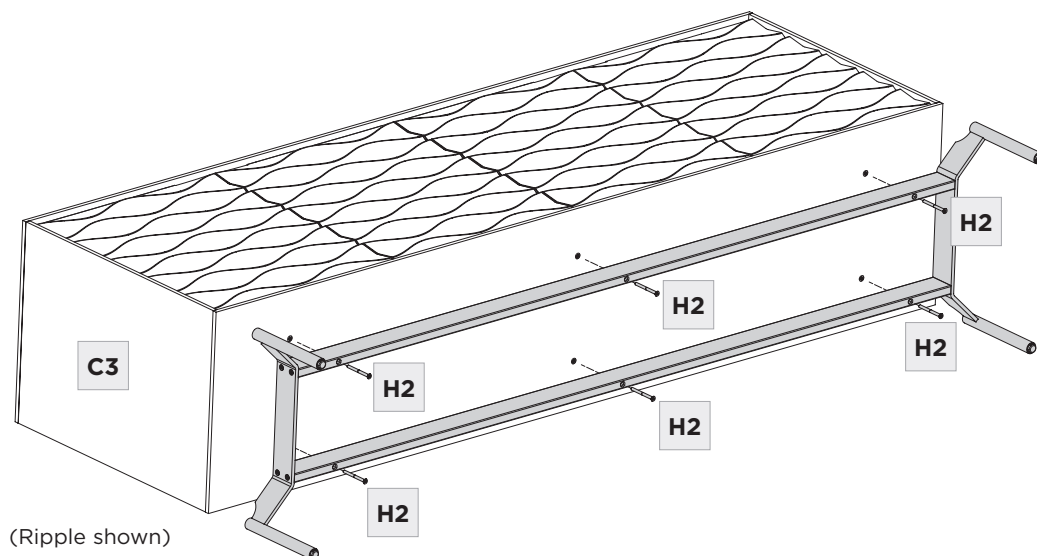


STEP 2. ATTACH BASE TO CABINET

ASSEMBLY

Lay the **Cabinet (C3)** on a soft, non-marring surface, like carpet. Attach the **Base** to the **Cabinet (C3)** using **6 Screws (H2)** and tighten with **Hex Wrench (T1)**.

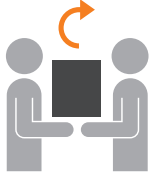
	HEX WRENCH – T1	QTY 1
	SCREW – H3	QTY 6



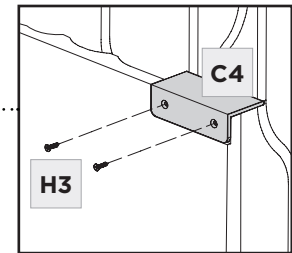
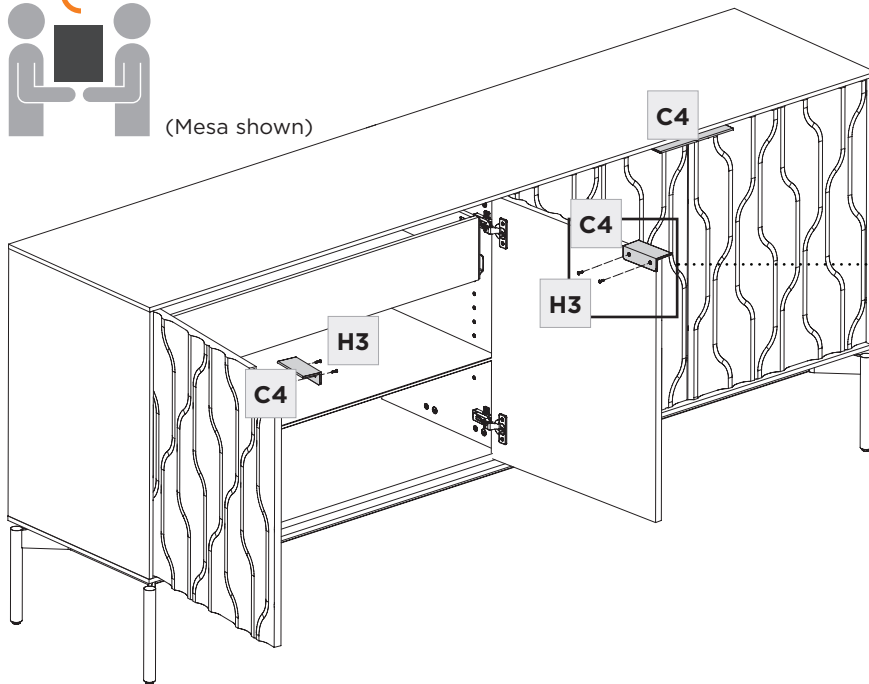
ASSEMBLY



STEP 3. INSTALL DOOR PULLS

With the help of another person, carefully turn the Cabinet onto its Base. Open the doors and connect the **4 Door Pulls (C4)** with **8 Wood Screws (H3)**. Tighten with **Phillips Head Screwdriver (not included)**.



(Mesa shown)

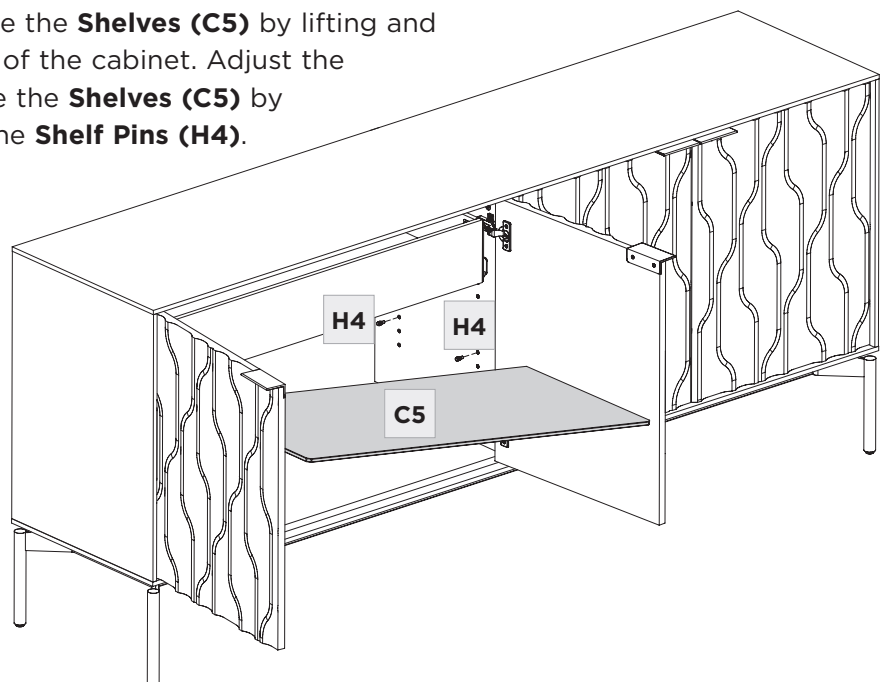


	NOT INCLUDED PHILLIPS SCREWDRIVER	QTY 1
	SCREW – H3	QTY 8

ASSEMBLY

STEP 4. REPOSITION / INSTALL SHELVES

To adjust the shelf positions remove the **Shelves (C5)** by lifting and tilting them, then pulling them out of the cabinet. Adjust the **Shelf Pins (H4)** as needed. Replace the **Shelves (C5)** by tilting them and placing them on the **Shelf Pins (H4)**.



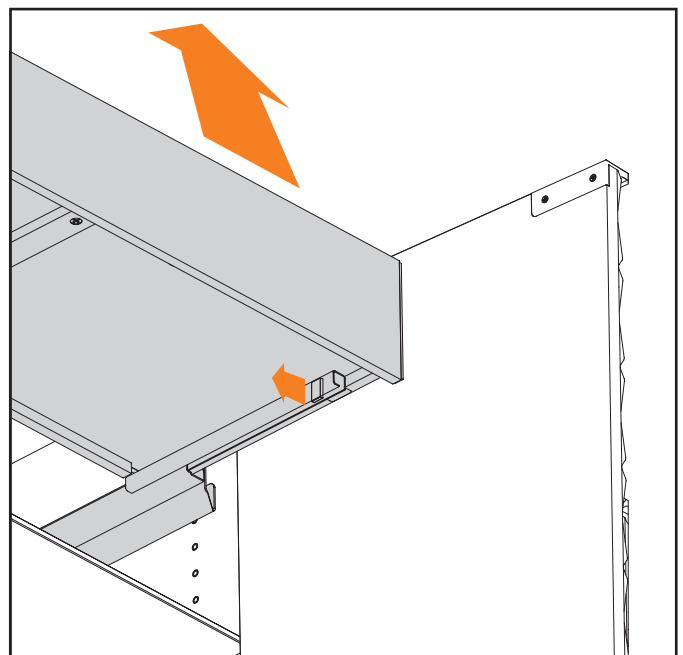
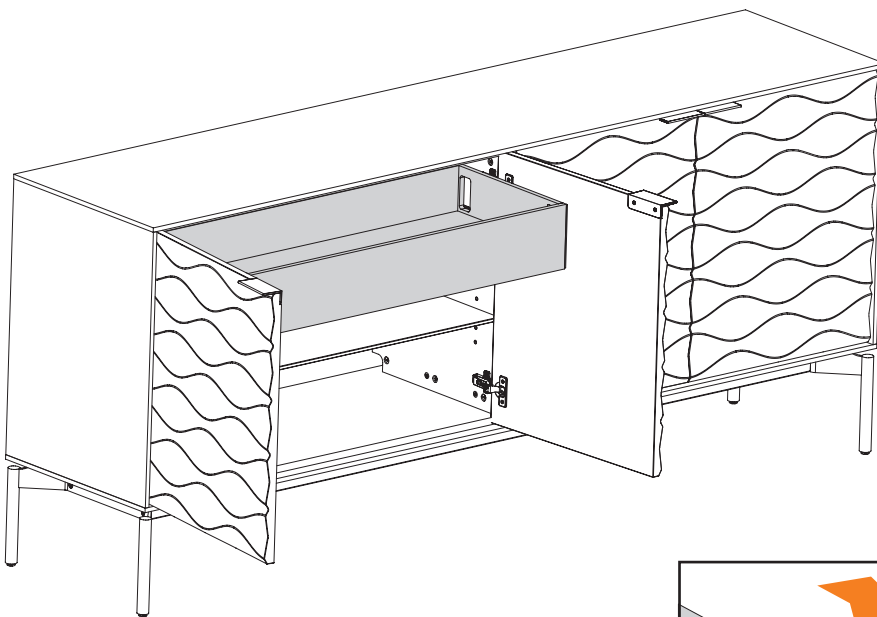
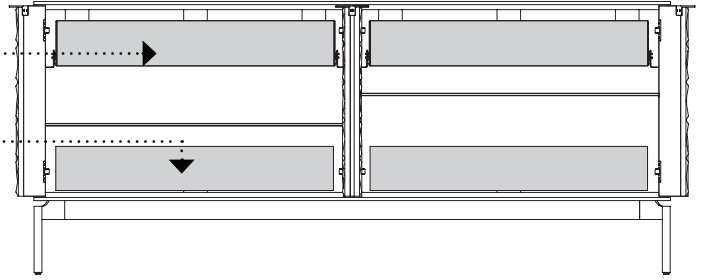
STEP 5. REMOVE & RE-INSTALL DRAWERS (OPTIONAL)

ASSEMBLY

Your cabinet shipped with the drawers installed in their **upper positions**.

The user can also move them to a **lower position** in the cabinet.

If you want to change the location of the drawers, remove them from their **drawer slides**. Look under the drawer and find the **plastic pin** on each drawer slide. Pull the plastic pins out, and gently lift each drawer up and towards you to remove them.



ASSEMBLY

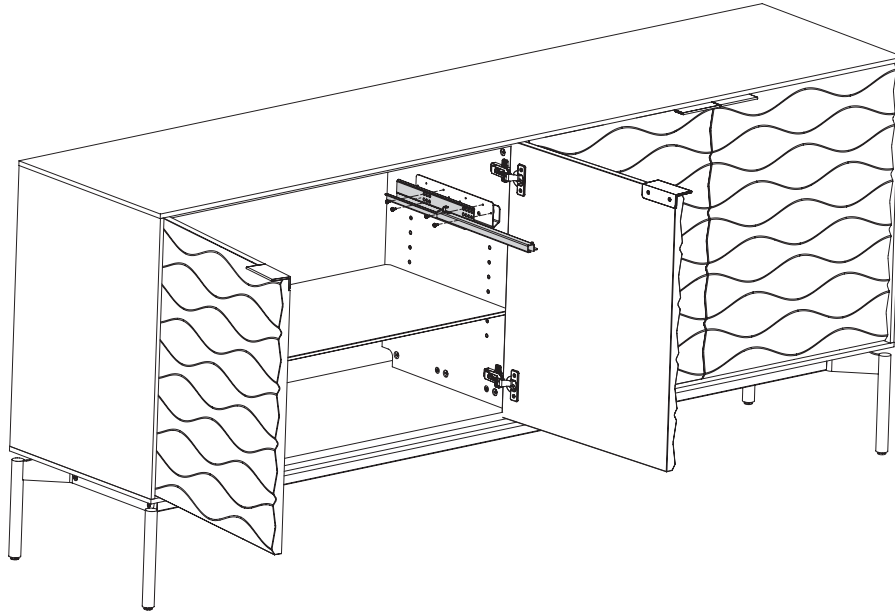
STEP 6. REMOVE DRAWER SLIDES

Remove the **screws** holding each **Drawer Slide** to the **Drawer Slide Brackets** using a **Phillips Head Screwdriver (not included)**.



NOT INCLUDED
PHILLIPS SCREWDRIVER

QTY
1



ASSEMBLY

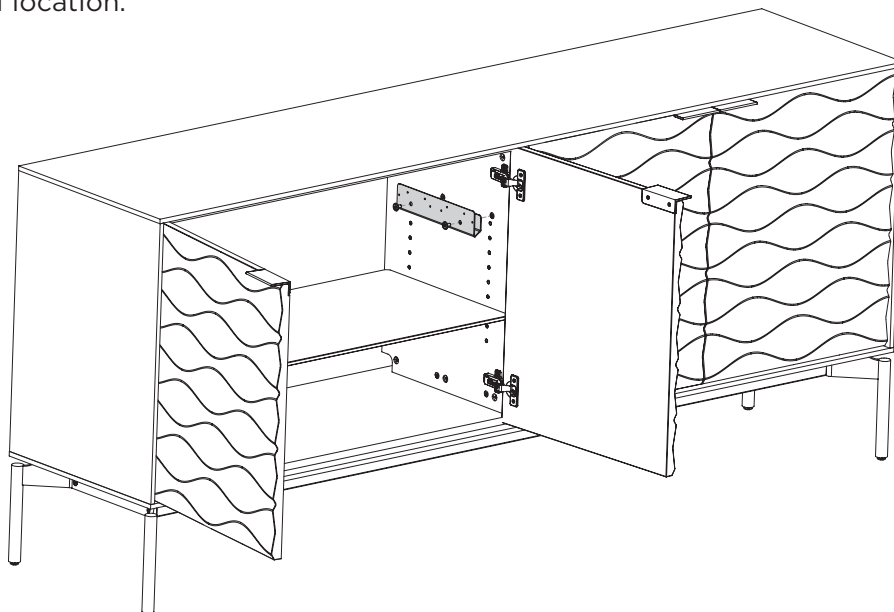
STEP 7. REMOVE DRAWER SLIDE BRACKETS

Remove the **screws** holding **Drawer Slide Brackets** in place using a **Hex Wrench (T1)**. **Relocate the Drawer Slide Brackets** to the desired position, and **reinsert the screws**, tightening with **the Hex Wrench (T1)**. Perform steps 5 and 6 in reverse order to reinstall the Drawer in the desired location.



HEX WRENCH – T1

QTY
1





STEP 8. ANCHOR THE CABINET

ASSEMBLY

With help from another person, carefully walk the cabinet into the desired position against the wall.

It is strongly recommended that you anchor your cabinet to the wall using the provided **Anchor Strap (C6)**. Use painter's tape to mark the upper left corner of the unit, as shown.

	NOT INCLUDED WALL ANCHOR	QTY 1
	NOT INCLUDED WALL SCREW	QTY 1

With help from another person, carefully move the cabinet away from the wall. Measure and mark the wall as shown. Attach one end of the **Anchor Strap (C6)** to the wall at the marked location with an **appropriate wall anchor and screw (not included)**.

