

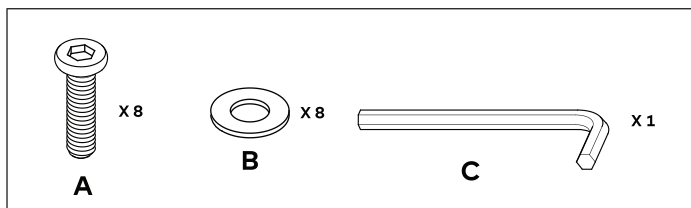
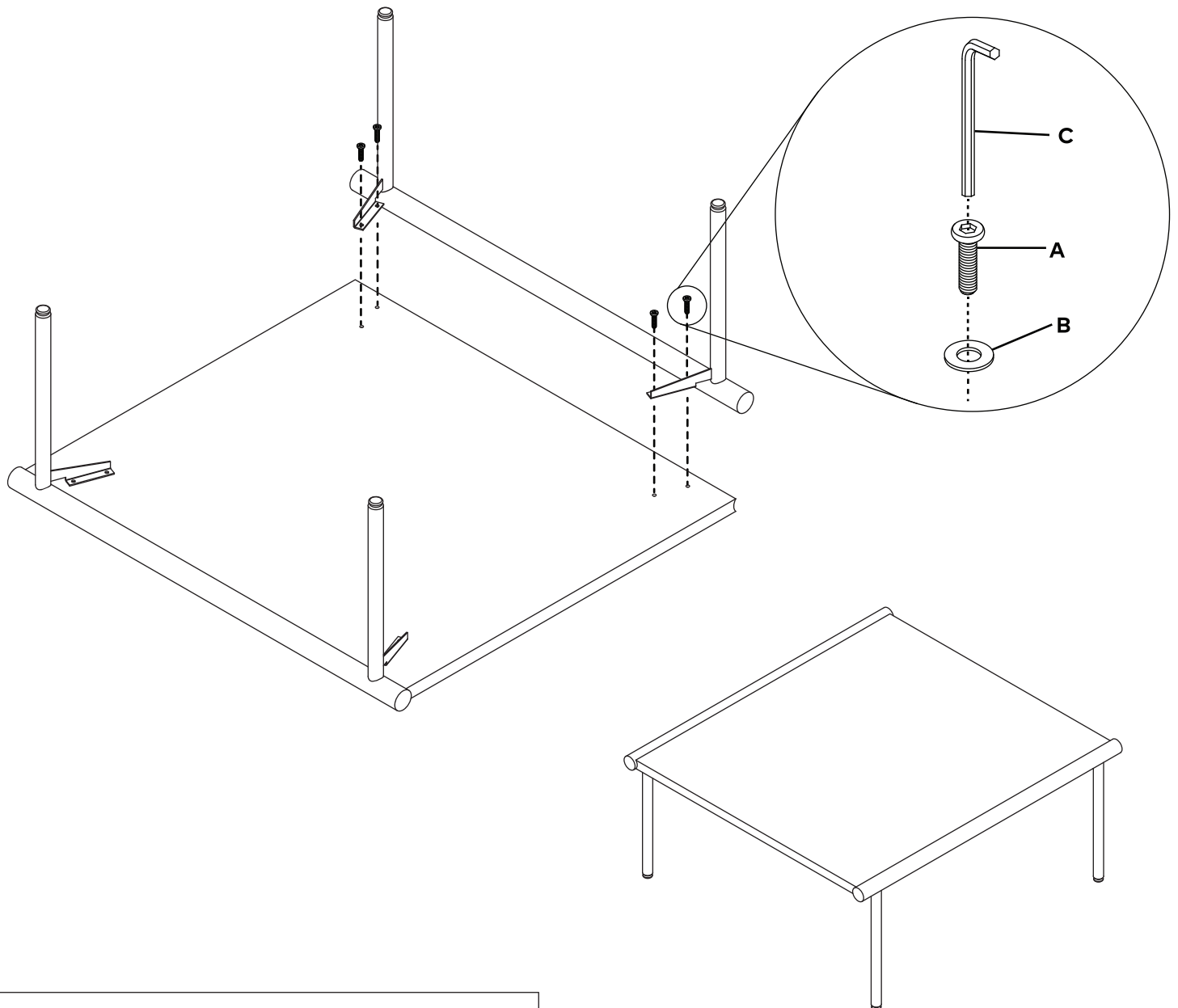
Manifold Square Coffee Table

ASSEMBLY INSTRUCTIONS

KEEP ALL PACKAGING MATERIALS UNTIL YOU HAVE VERIFIED ALL COMPONENTS AND PARTS

1. Gently rest the table top upside down onto a clean, flat surface.
2. Align holes of the leg frame with the corresponding holes on the underside of the table top.
3. Secure the legs to the table top with the provided fasteners (A) and (B) and tighten with Allen wrench (C). Do not overtighten.
4. Gently flip the table right side up.

TO HELP MAINTAIN THE APPEARANCE OF YOUR TABLE WE RECOMMEND CLEANING THE WOOD SURFACES AND STEEL LEGS WITH A DAMP SOFT CLOTH. DO NOT USE ABRASIVE CLEANING PRODUCTS. DEPENDING ON USE, IT MAY BE NECESSARY TO TIGHTEN THE SCREWS PERIODICALLY TO MAXIMIZE THE STABILITY OF THE TABLE.



Modern furniture made simple.